

[54] EXERCISE CYCLE

D. 300,648 4/1989 DeWitt D21/194
4,712,789 12/1987 Brilando 272/73

[75] Inventors: Curt G. Bingham; William T. Dalebout; Richard B. Ellis, all of Logan, Utah

OTHER PUBLICATIONS

Schwinn Fitness Equipment Catalog, "Schwinn Air Dyne".

[73] Assignee: Proform Fitness Products, Inc., Logan, Utah

Primary Examiner—Charles A. Rademaker
Attorney, Agent, or Firm—Trask, Britt & Rossa

[**] Term: 14 Years

[57] CLAIM

[21] Appl. No.: 201,129

The ornamental design for an exercise cycle, as shown and described.

[22] Filed: Jun. 2, 1988

[52] U.S. Cl. D21/194

[58] Field of Search D21/191-199;
272/73, 70.3, 132; 73/379

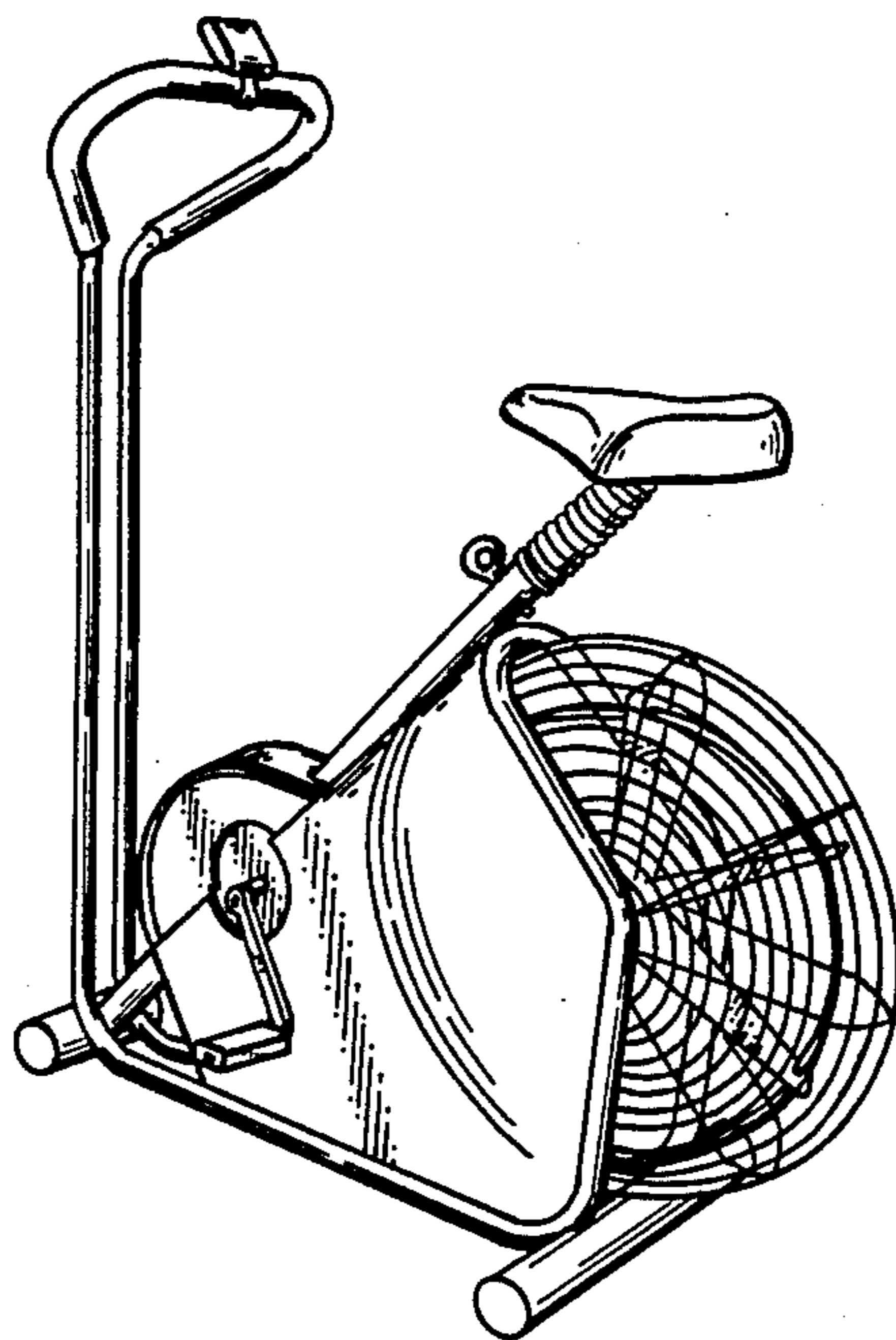
DESCRIPTION

[56] References Cited

U.S. PATENT DOCUMENTS

- D. 257,515 11/1980 Faux D21/194
- D. 278,268 4/1985 Kiiski D21/194
- D. 286,665 11/1986 Kelley .
- D. 299,670 1/1989 Lin et al. D21/194

- FIG. 1 is a perspective view of an exercise cycle showing our design;
- FIG. 2 is a right side elevational view;
- FIG. 3 is a left side elevational view;
- FIG. 4 is a front elevational view;
- FIG. 5 is a rear elevational view;
- FIG. 6 is a top plan view;
- FIG. 7 is a bottom plan view.



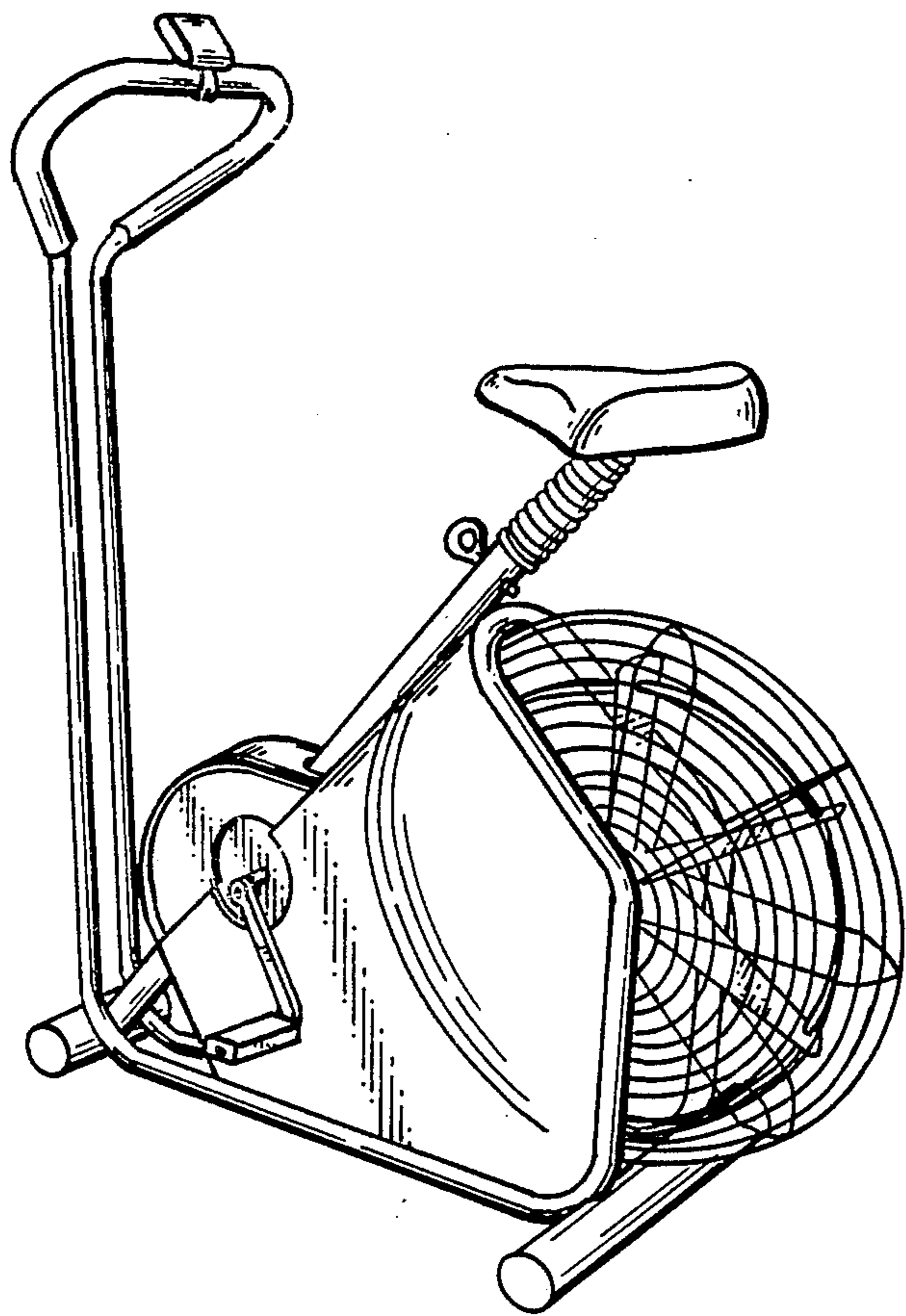


Fig. 1

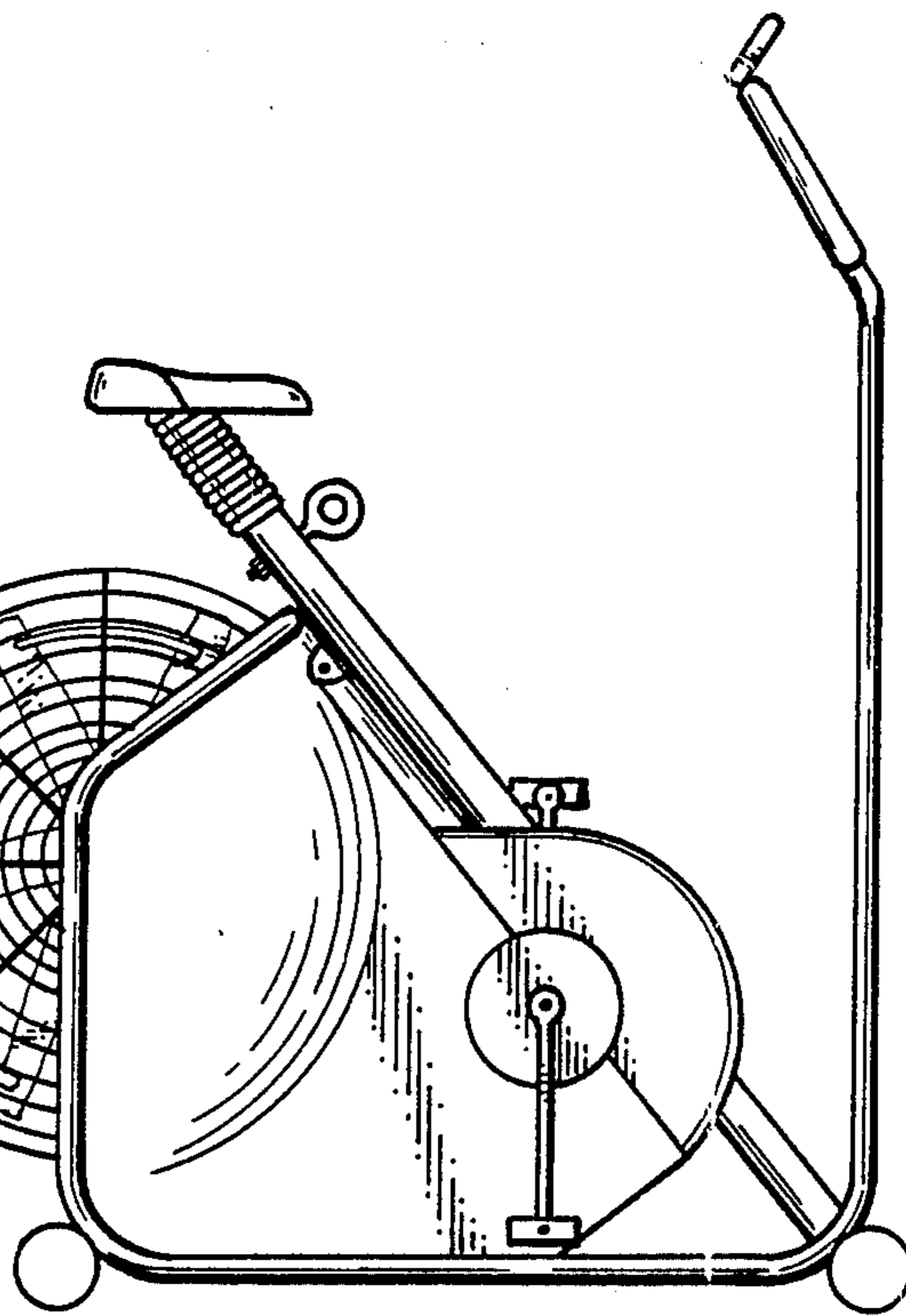


Fig. 2

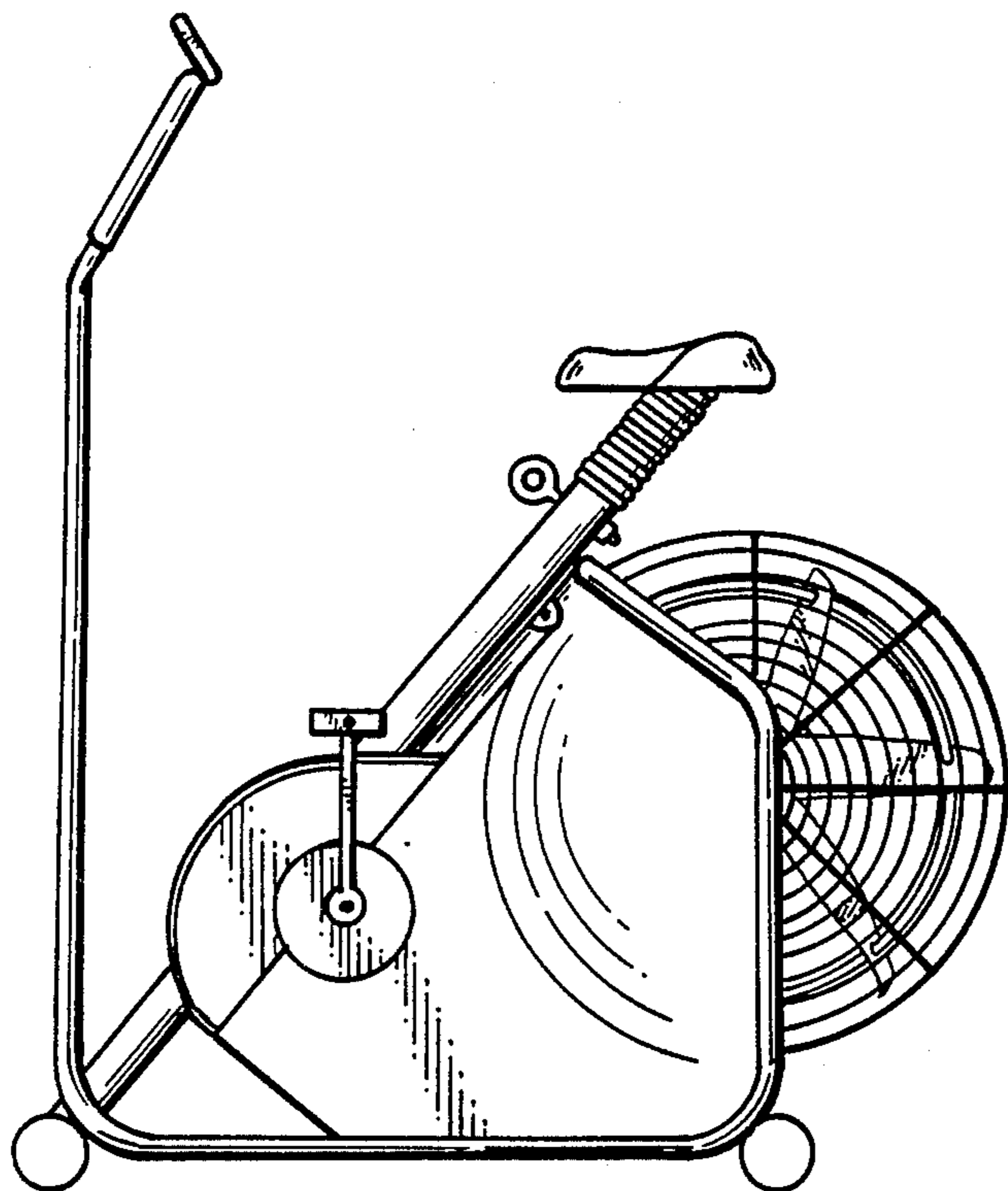


Fig. 3

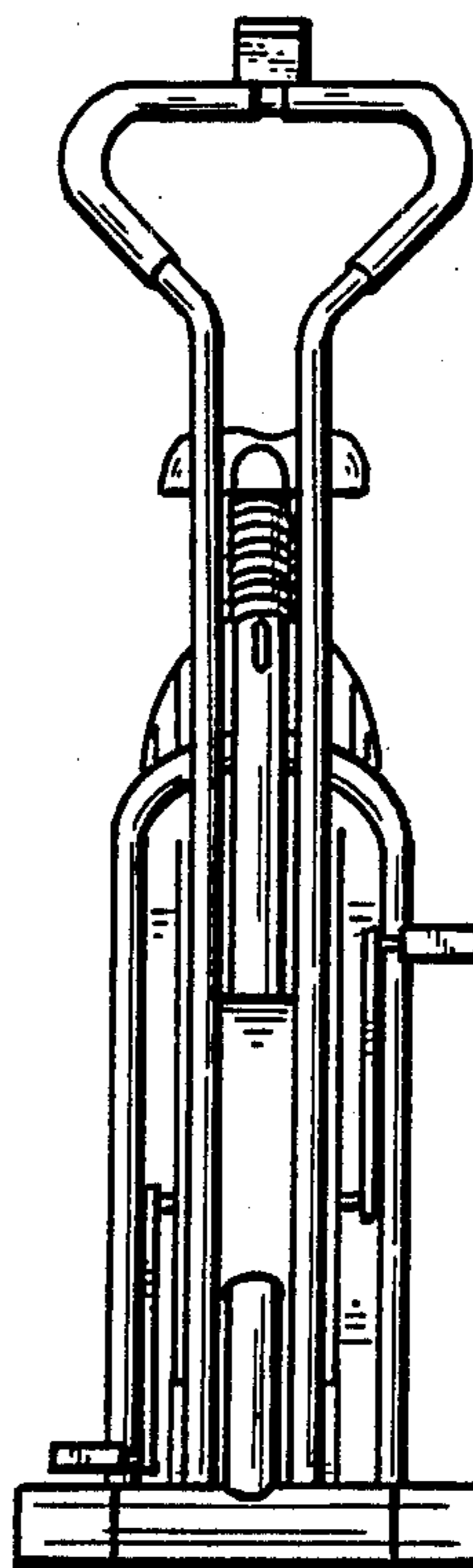


Fig. 4

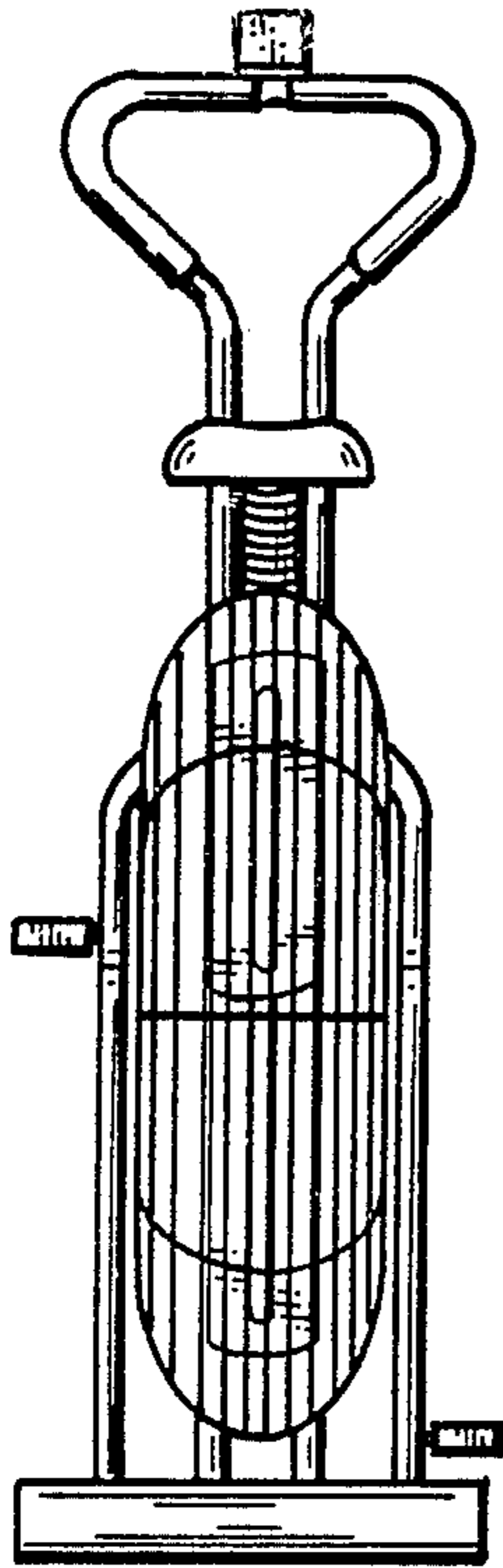


Fig. 5

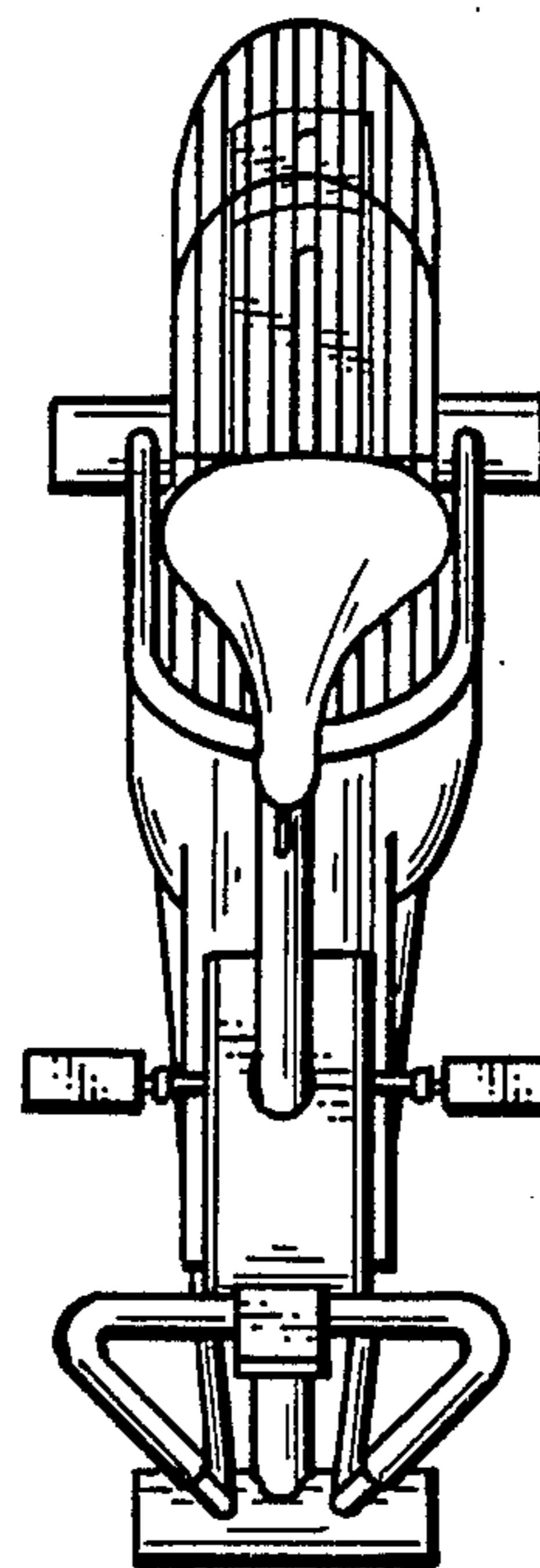


Fig. 6

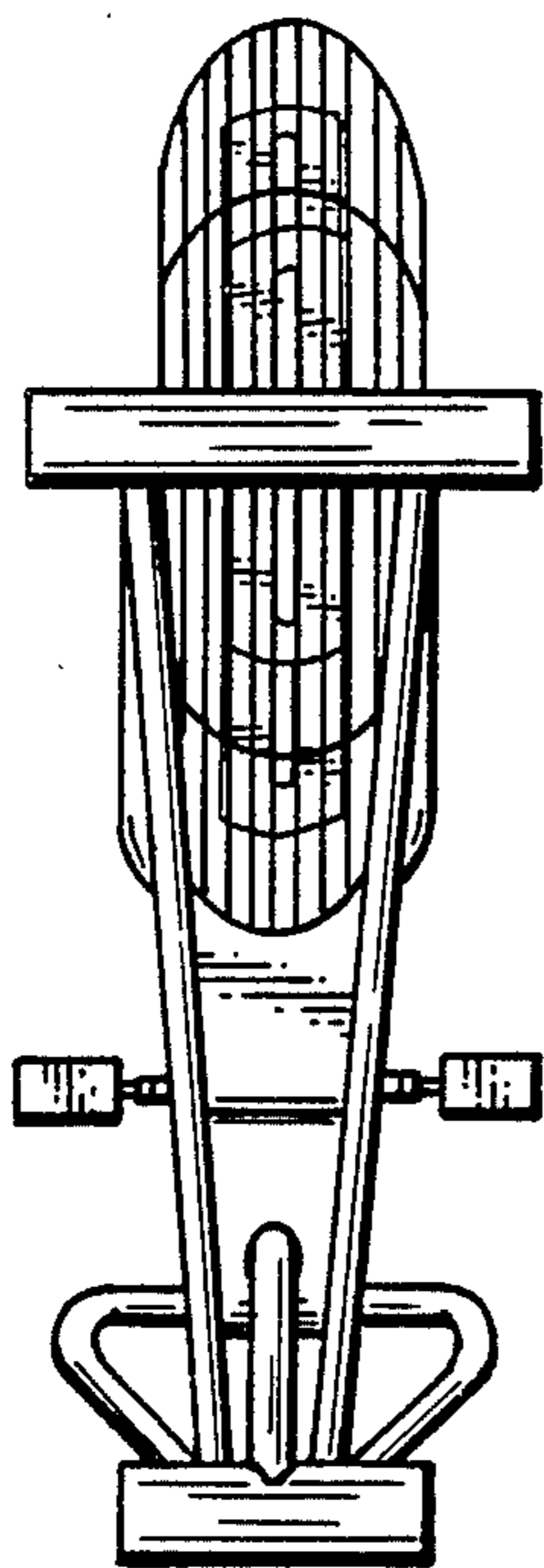


Fig. 7