

[54] TOY TRUCK

[75] Inventor: Donald L. Bradshaw, Mebane, N.C.

[73] Assignee: Brevda Container Corporation, Burlington, N.C.

[**] Term: 14 Years

[21] Appl. No.: 2,555

[22] Filed: Jan. 12, 1987

[52] U.S. Cl. D21/134

[58] Field of Search 446/93, 95, 124; D21/128, 134

[56] References Cited

U.S. PATENT DOCUMENTS

D. 71,760	12/1926	Lundahl	D21/134
D. 138,716	9/1944	Rathbun	D21/134
D. 159,393	7/1950	Roche	D21/134
D. 167,525	8/1952	Moyer	D21/134
D. 218,561	9/1970	Benton	D21/134

D. 277,494	2/1985	Lerch	D21/134
D. 284,984	8/1986	Tzanetakos	D21/134
3,744,700	7/1973	Stegmann	446/124
4,643,349	2/1987	Sheffer	446/93

FOREIGN PATENT DOCUMENTS

295110	2/1954	Switzerland	446/95
--------	--------	-------------	-------	--------

Primary Examiner—Charles A. Rademaker

Assistant Examiner—Alicia A. Farrell

Attorney, Agent, or Firm—C. Robert Rhodes; Judith E. Garmon

[57] CLAIM

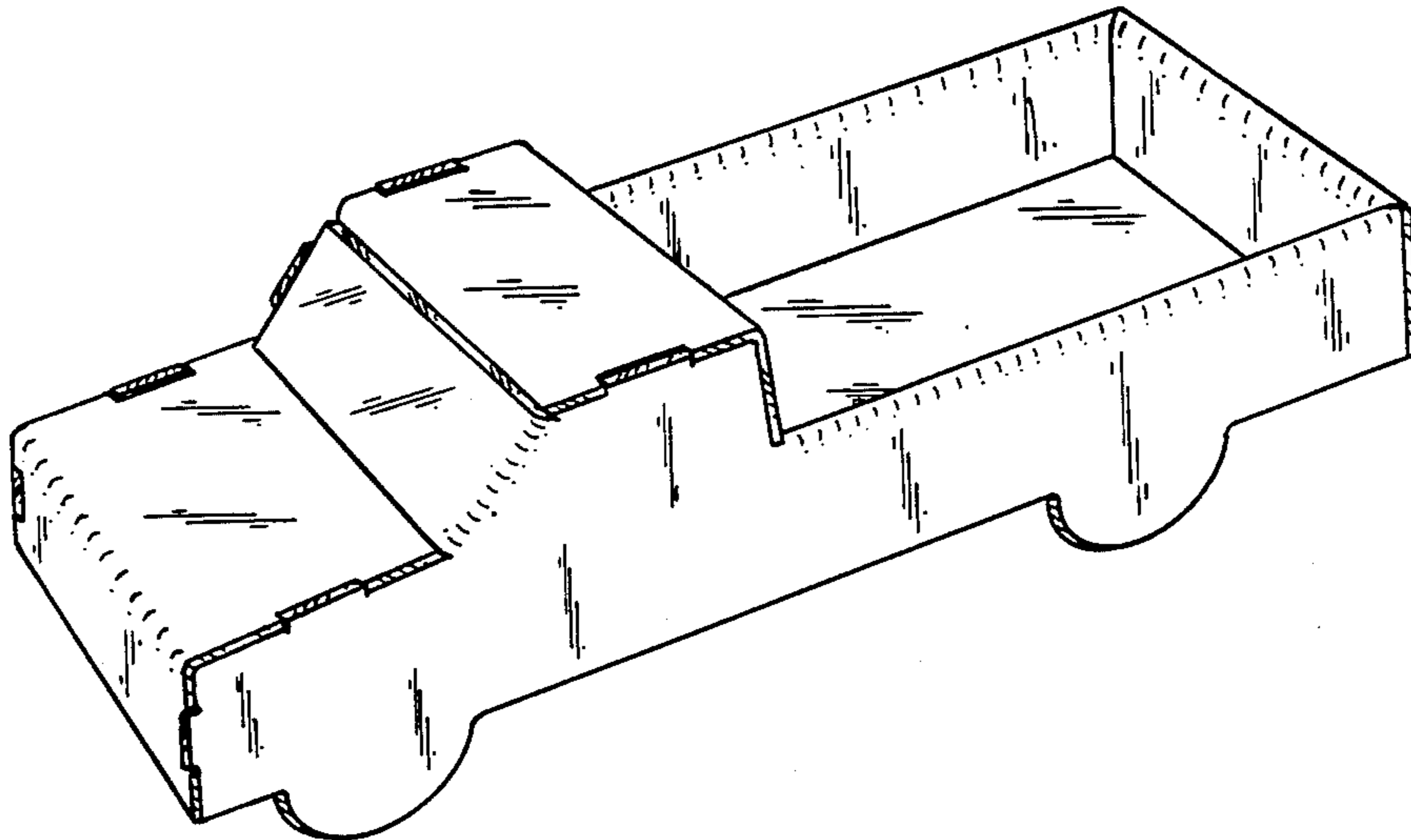
The ornamental design for a toy truck, as shown and described.

DESCRIPTION

FIG. 1 is a front perspective view of a toy truck showing my new design;

FIG. 2 is a rear perspective view thereof; and

FIG. 3 is a perspective view thereof showing the bottom plan view.



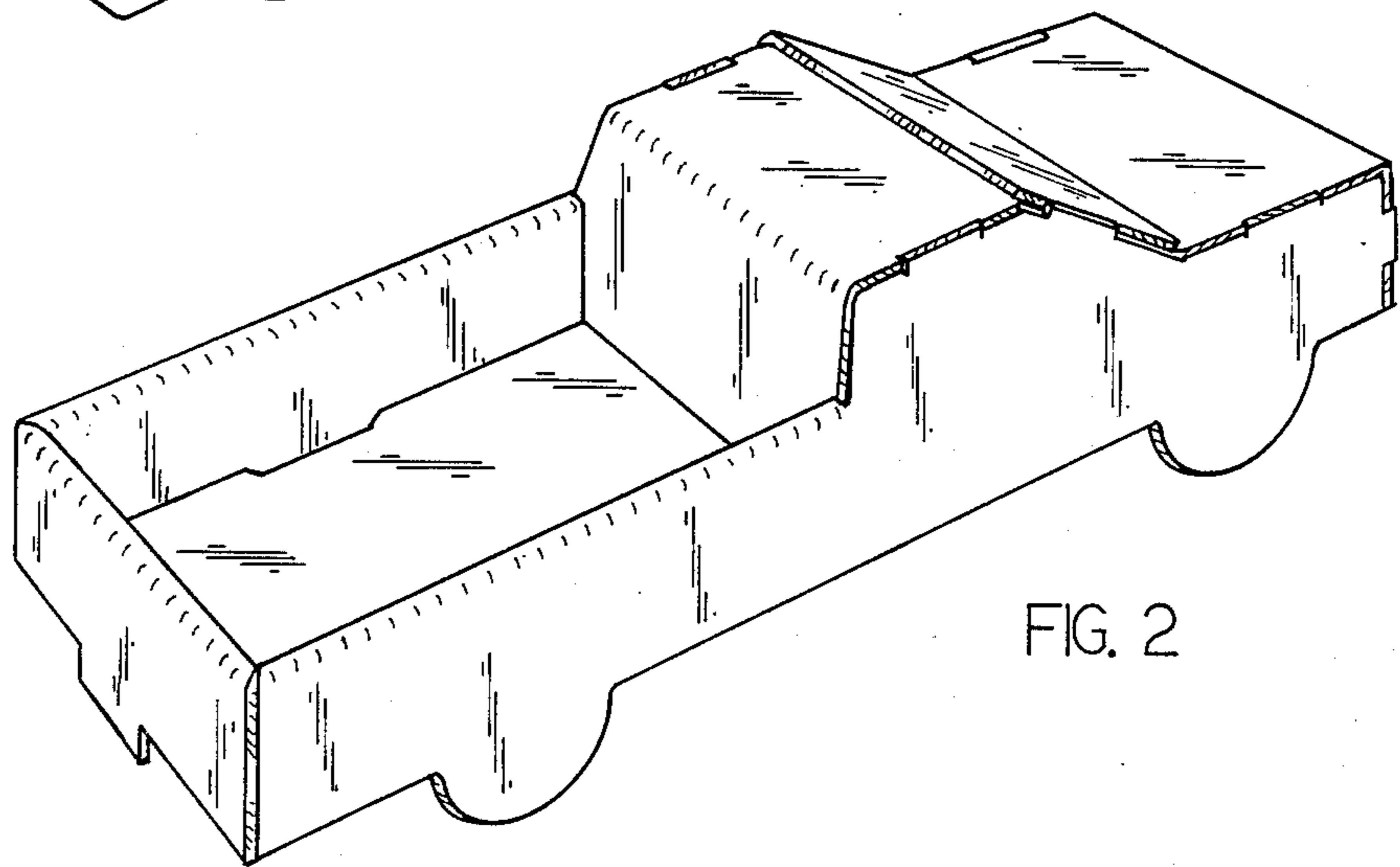
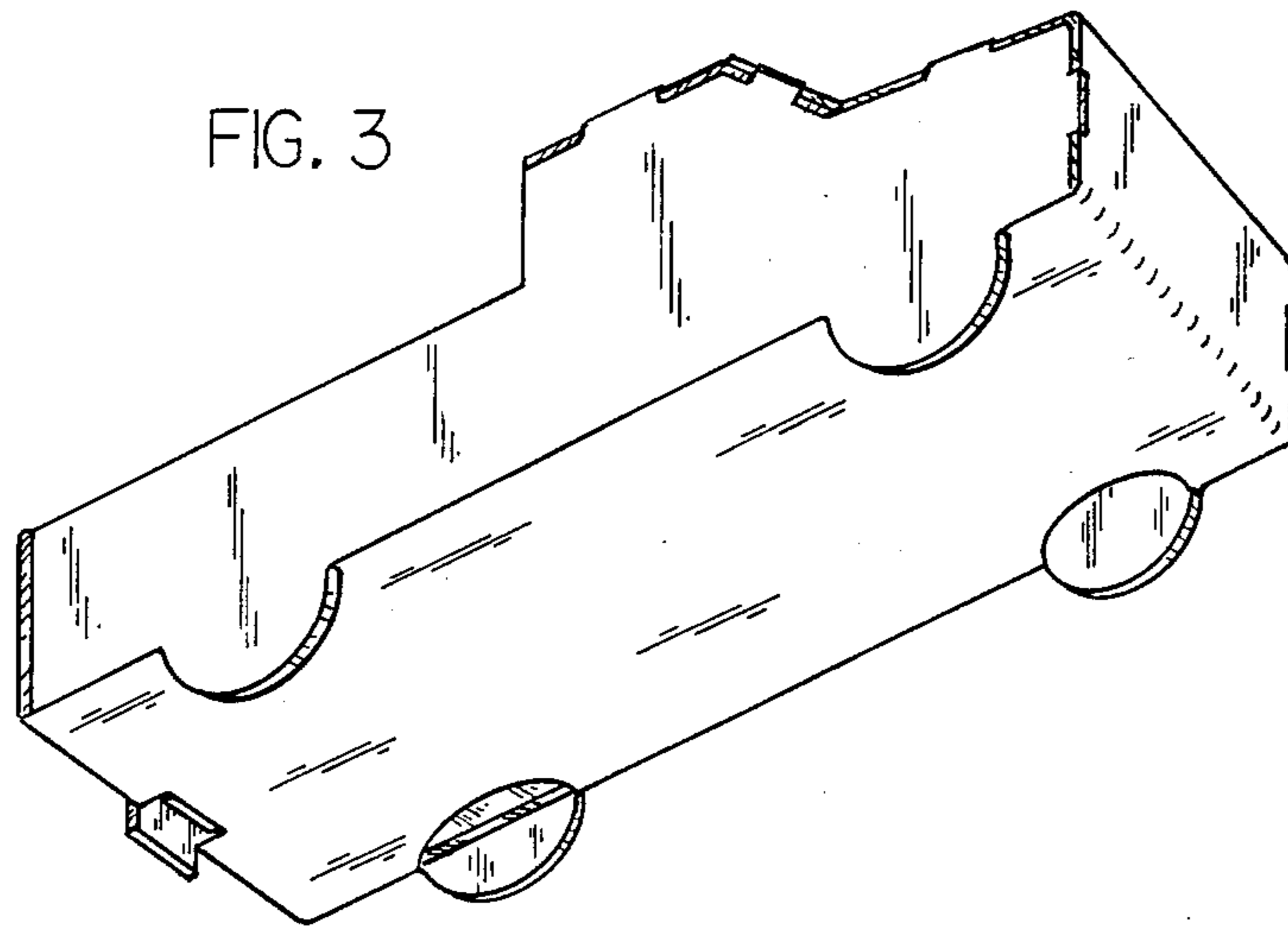


FIG. 2

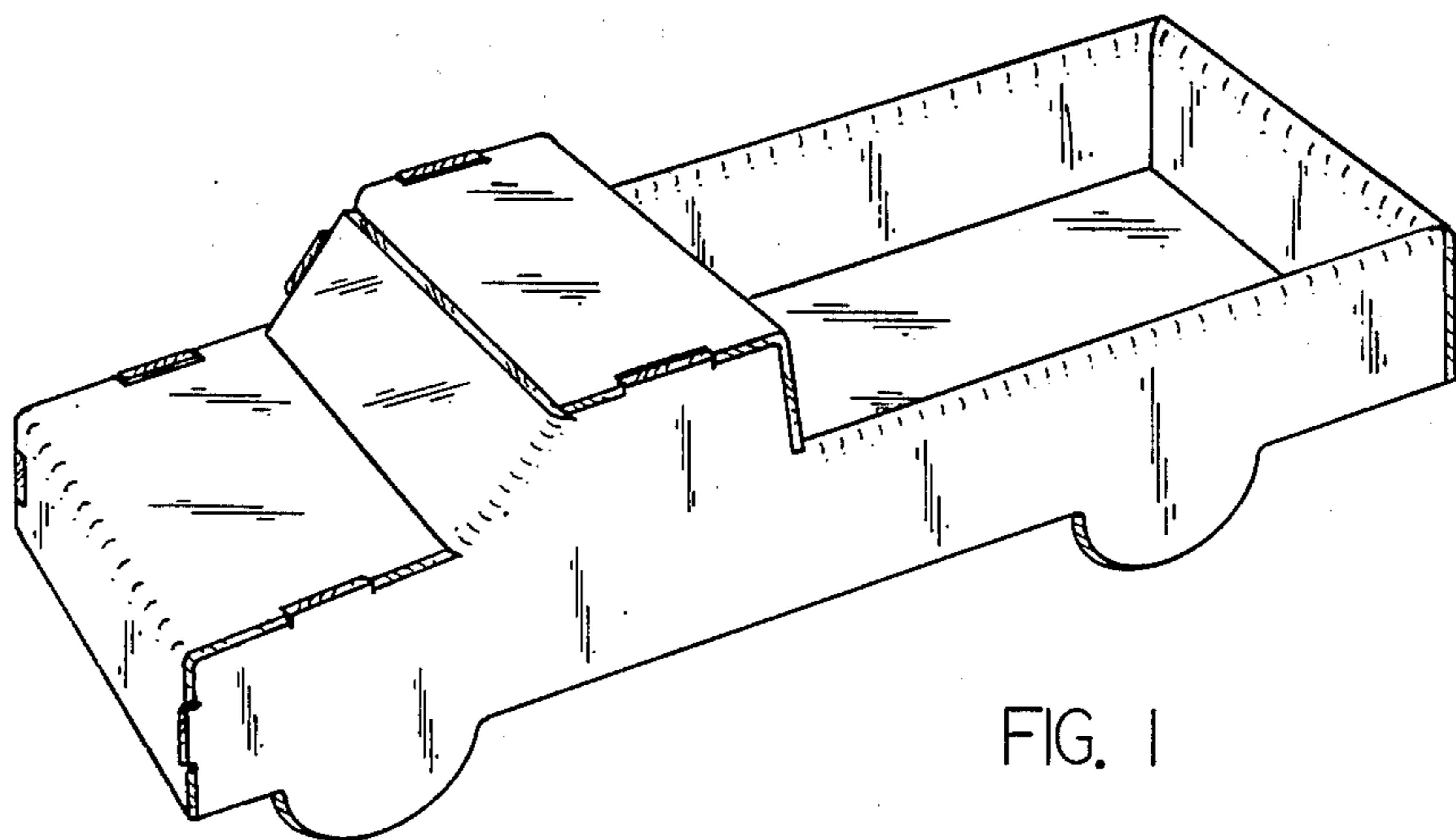


FIG. 1