

[54] BOOKEND

58513 6/1936 Norway 223/78
519365 3/1940 United Kingdom 223/78

[76] Inventors: Sheldon Goodman, 4079 Princeton Blvd., South Euclid, Ohio 44121; Steven E. Greenhut, 2781 Belgrave Rd., Pepper Pike, Ohio 44124

[**] Term: 14 Years

[21] Appl. No.: 933,690

[22] Filed: Nov. 21, 1986

[52] U.S. Cl. D19/34.5; D19/34.1; D19/34.3

[58] Field of Search D19/34.1, 34.2, 34.3, D19/34.4, 34.5; 223/78, 79, 80

[56] References Cited

U.S. PATENT DOCUMENTS

D. 66,398 1/1925 Bowers D19/34.4
D. 130,812 12/1941 Calvert D19/34.5
3,477,622 11/1969 Appelt 223/78

FOREIGN PATENT DOCUMENTS

186695 10/1922 France 223/78

OTHER PUBLICATIONS

Hong Kong Enterprises 8/81 see p. 428 lower corner--right side.

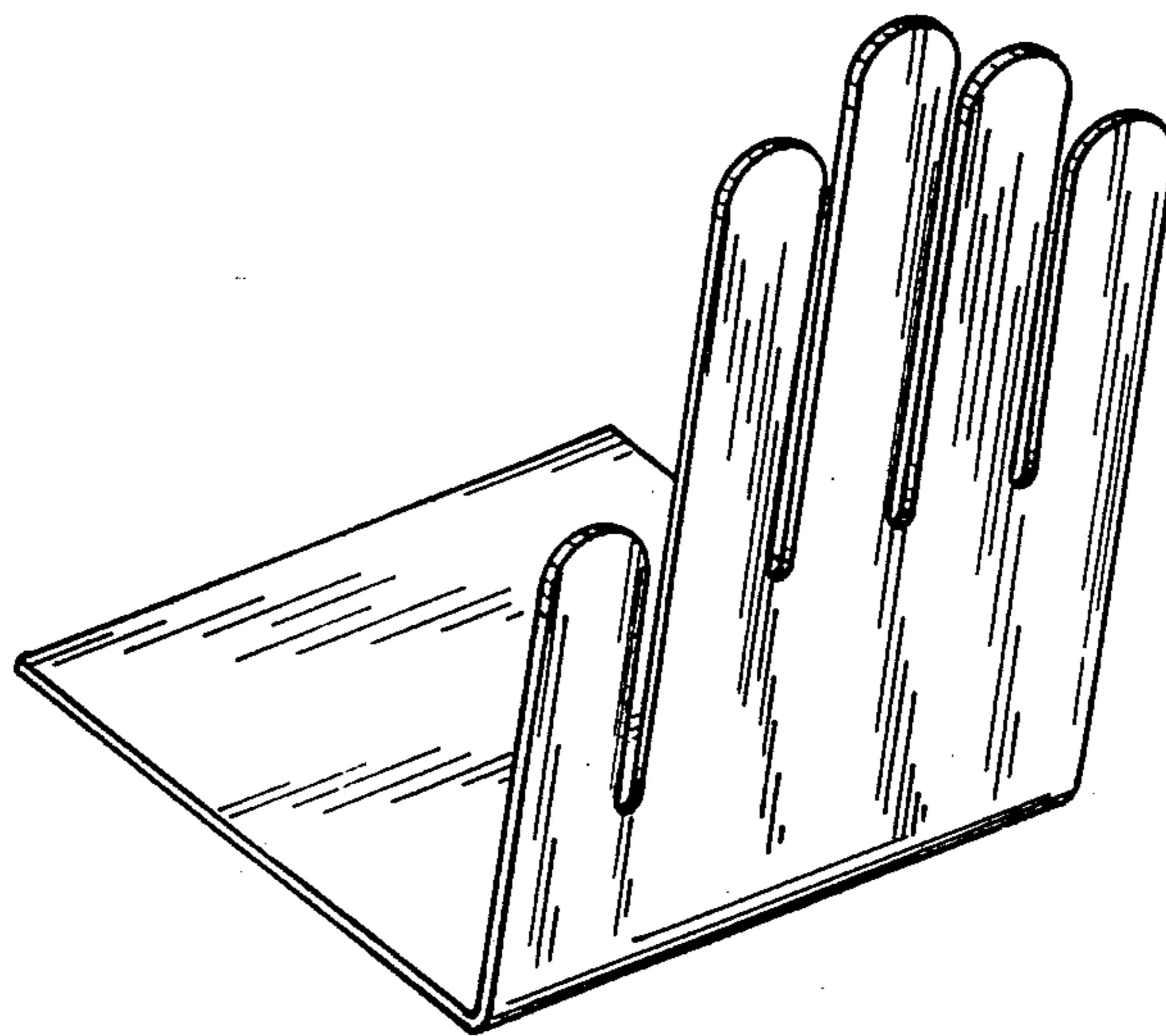
Primary Examiner—Bruce W. Dunkins
Assistant Examiner—Martha Thompson
Attorney, Agent, or Firm—Pearne, Gordon, McCoy & Granger

[57] CLAIM

The ornamental design for a bookend, as shown.

DESCRIPTION

FIG. 1 is a front perspective of a bookend showing our new design;
FIG. 2 is a front elevational view thereof;
FIG. 3 is a rear elevational view thereof;
FIG. 4 is a left side elevational view thereof;
FIG. 5 is a right side elevational view thereof;
FIG. 6 is a bottom view thereof; and
FIG. 7 is a plan view thereof.



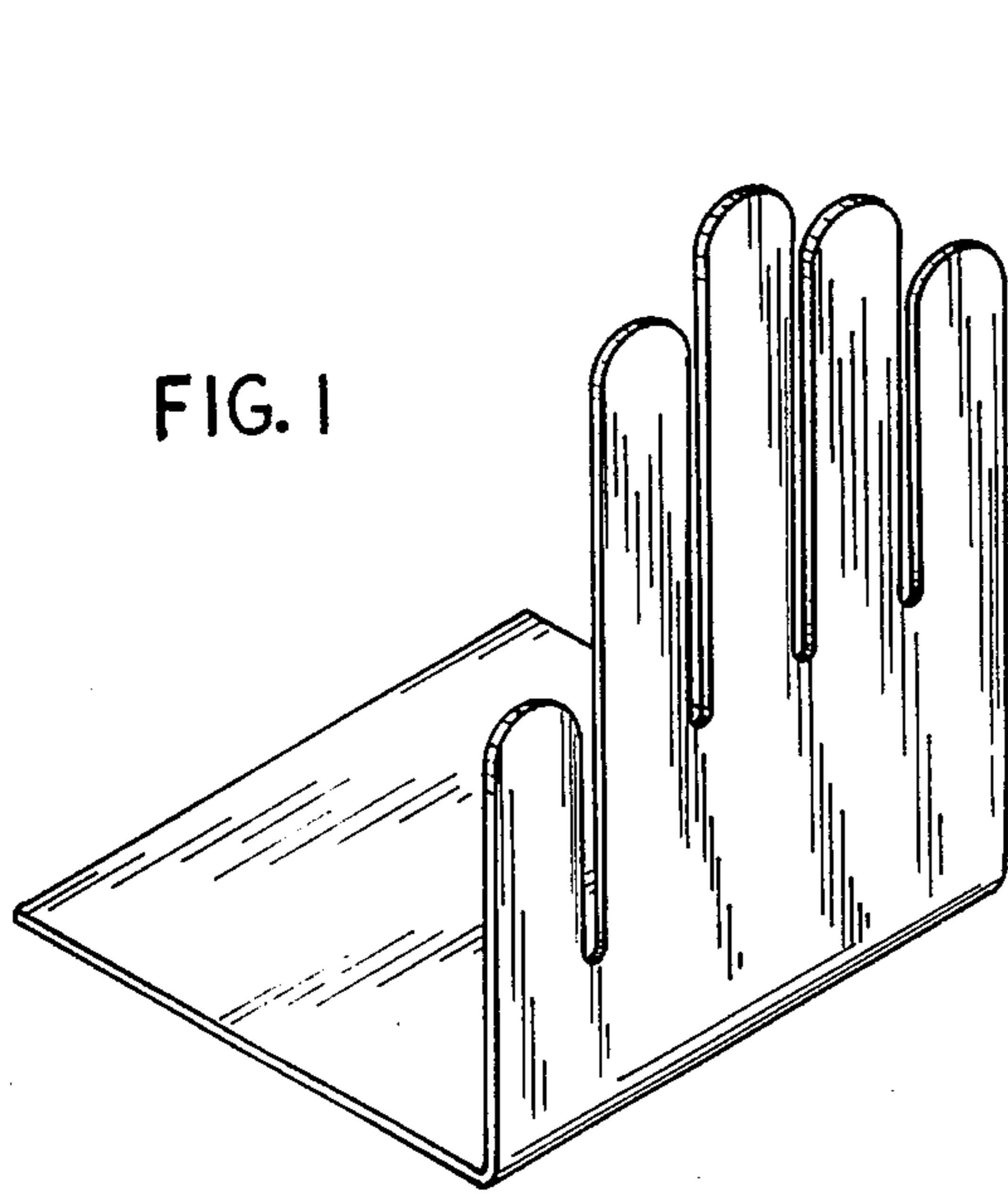


FIG. 1

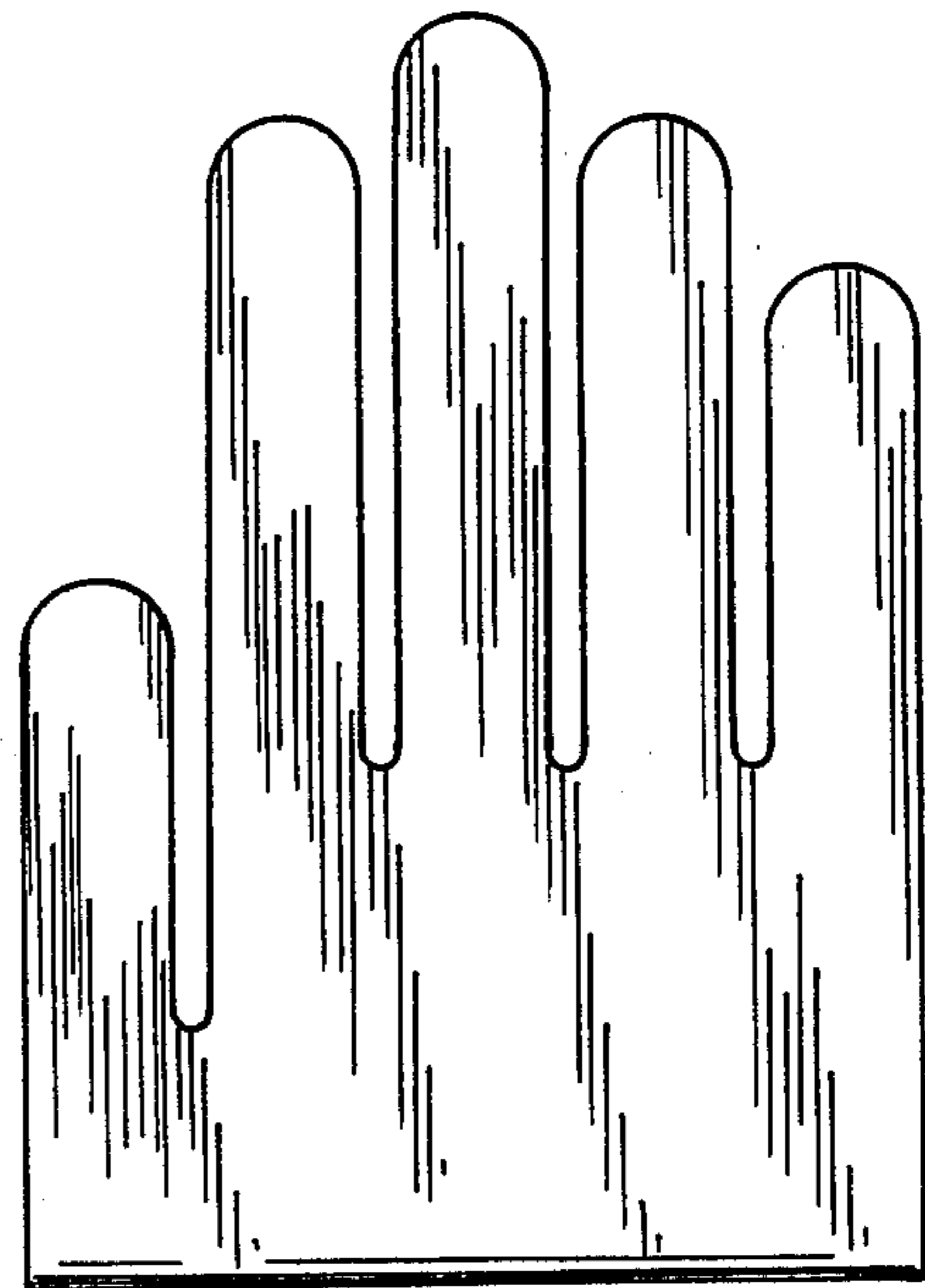


FIG. 2

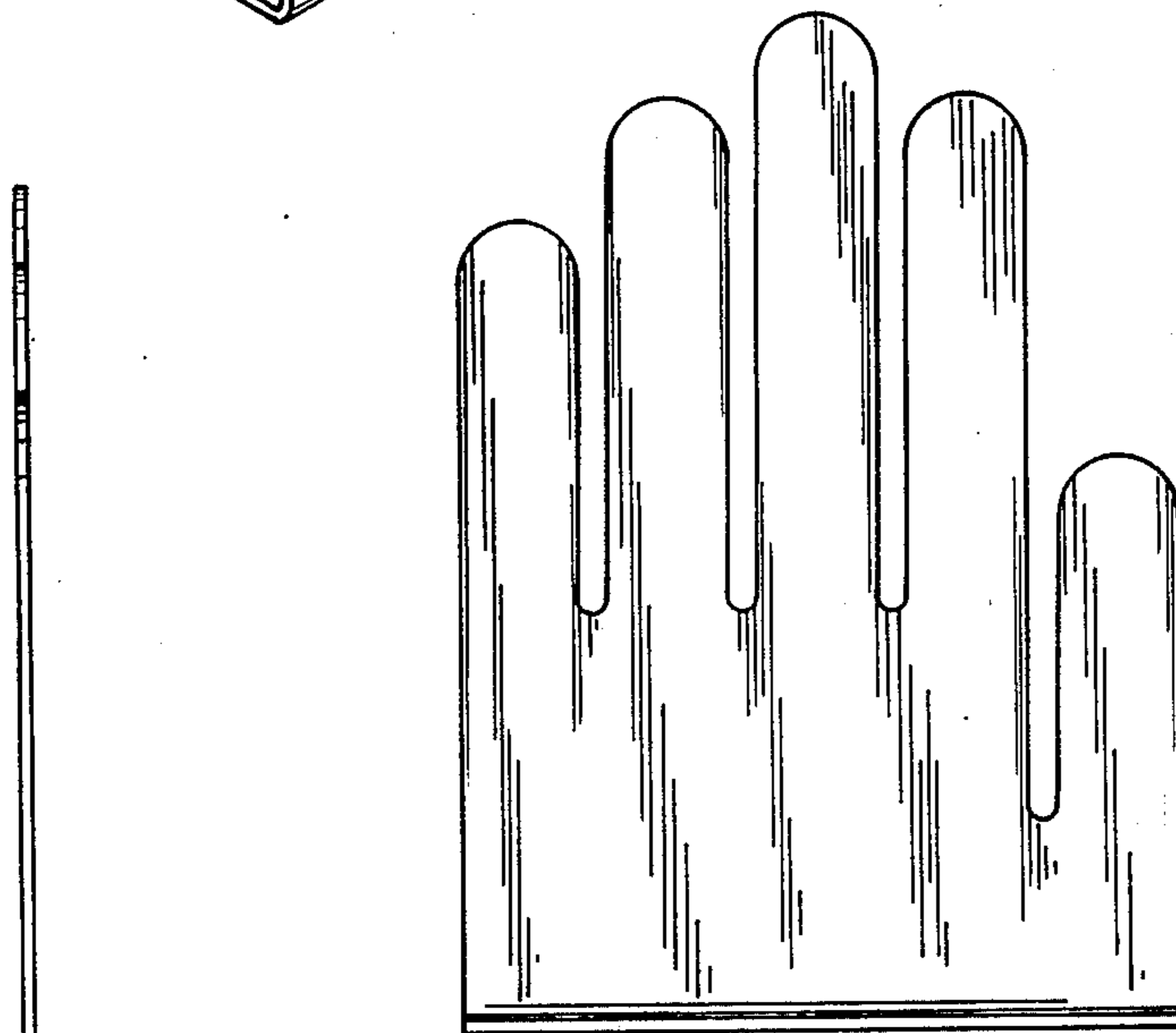


FIG. 3

FIG. 4

FIG. 5

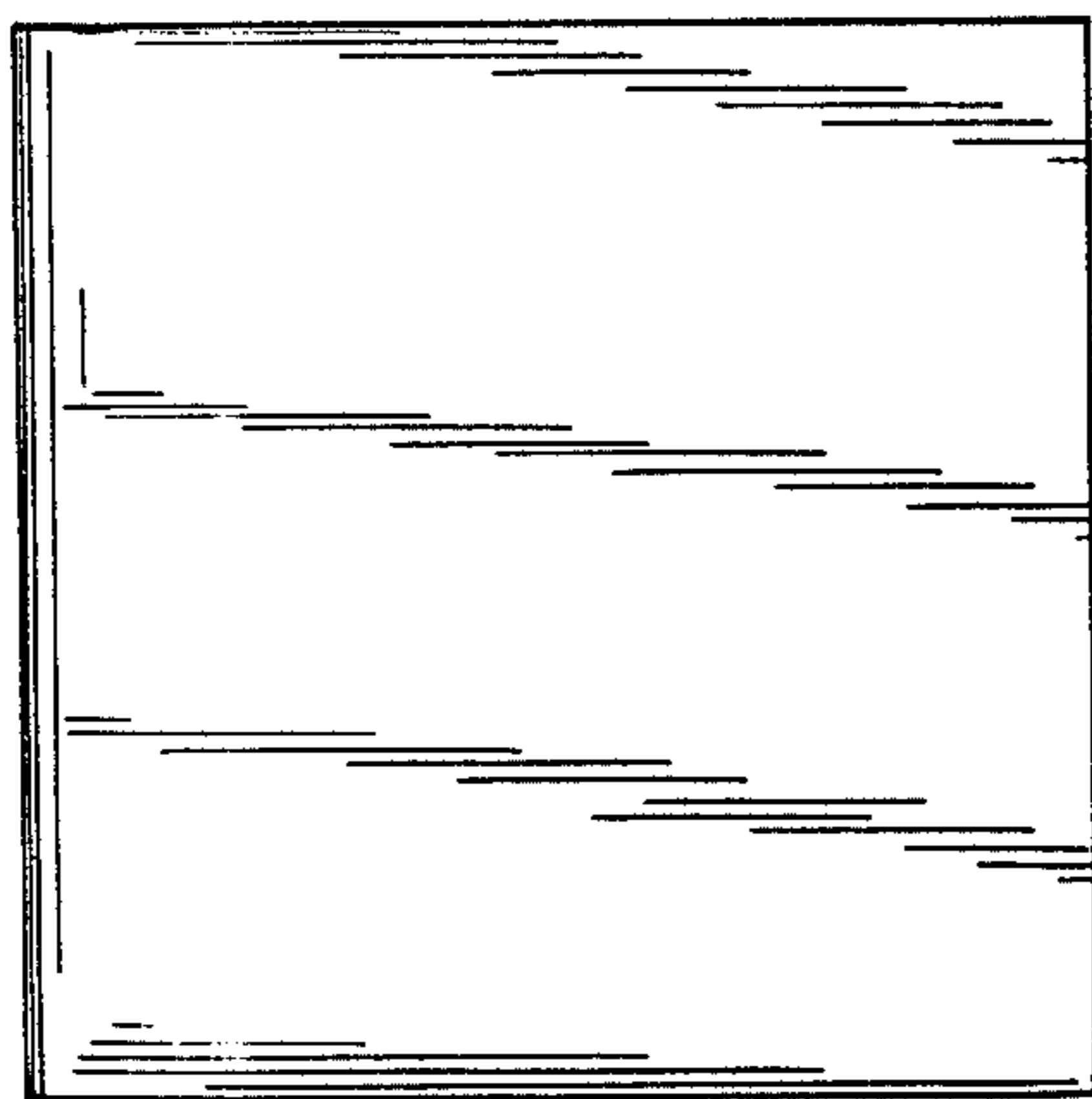


FIG. 7

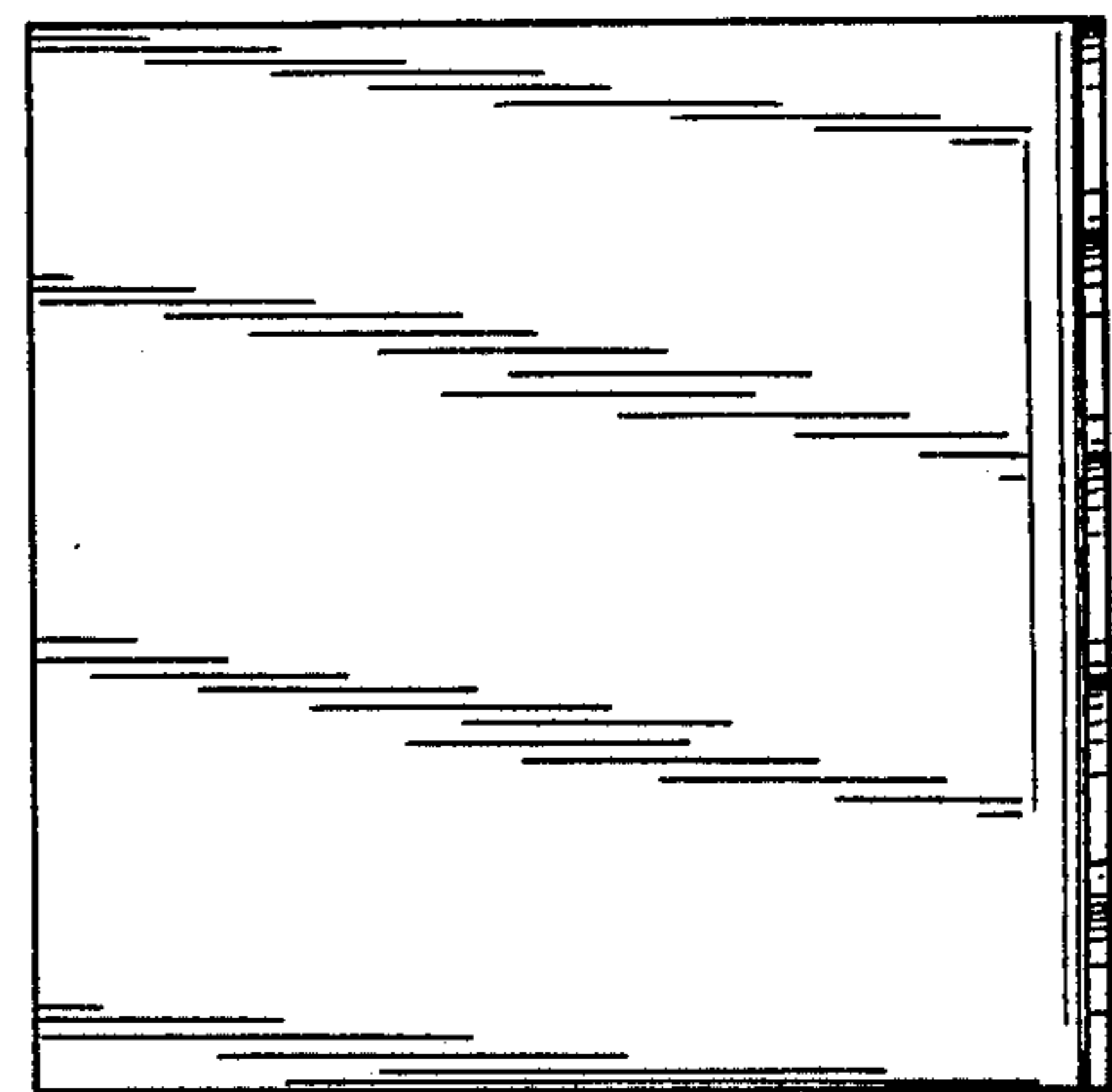


FIG. 6