

[54] COMPUTER SUPPORT LEG WITH SLIDING KEYBOARD SHELF

D. 296,217 6/1988 Drak et al. D18/23

[75] Inventors: Thomas W. Judd; Edward L. Hames, both of Peterborough, N.H.

[73] Assignee: Curtis Manufacturing Company, Inc., Jaffrey, N.H.

[**] Term: 14 Years

[21] Appl. No.: 299,749

[22] Filed: Jan. 19, 1989

[52] U.S. Cl. D18/23; D6/474

[58] Field of Search D6/474, 449, 429, 430, D6/491, 509, 510, 511, 572; D18/23; 211/13; 248/1 A, 1 B, 1 C, 1 J

[56] References Cited

U.S. PATENT DOCUMENTS

- D. 285,632 9/1986 Axhamre D6/474
- D. 286,883 11/1986 Cervero D6/429
- D. 287,678 1/1987 Hatcher et al. D6/474
- D. 290,717 7/1987 Judd D18/23
- D. 290,850 7/1987 Yon et al. D18/23

OTHER PUBLICATIONS

Demco Fall 1985, p. 49; Printer Leg top left on page.

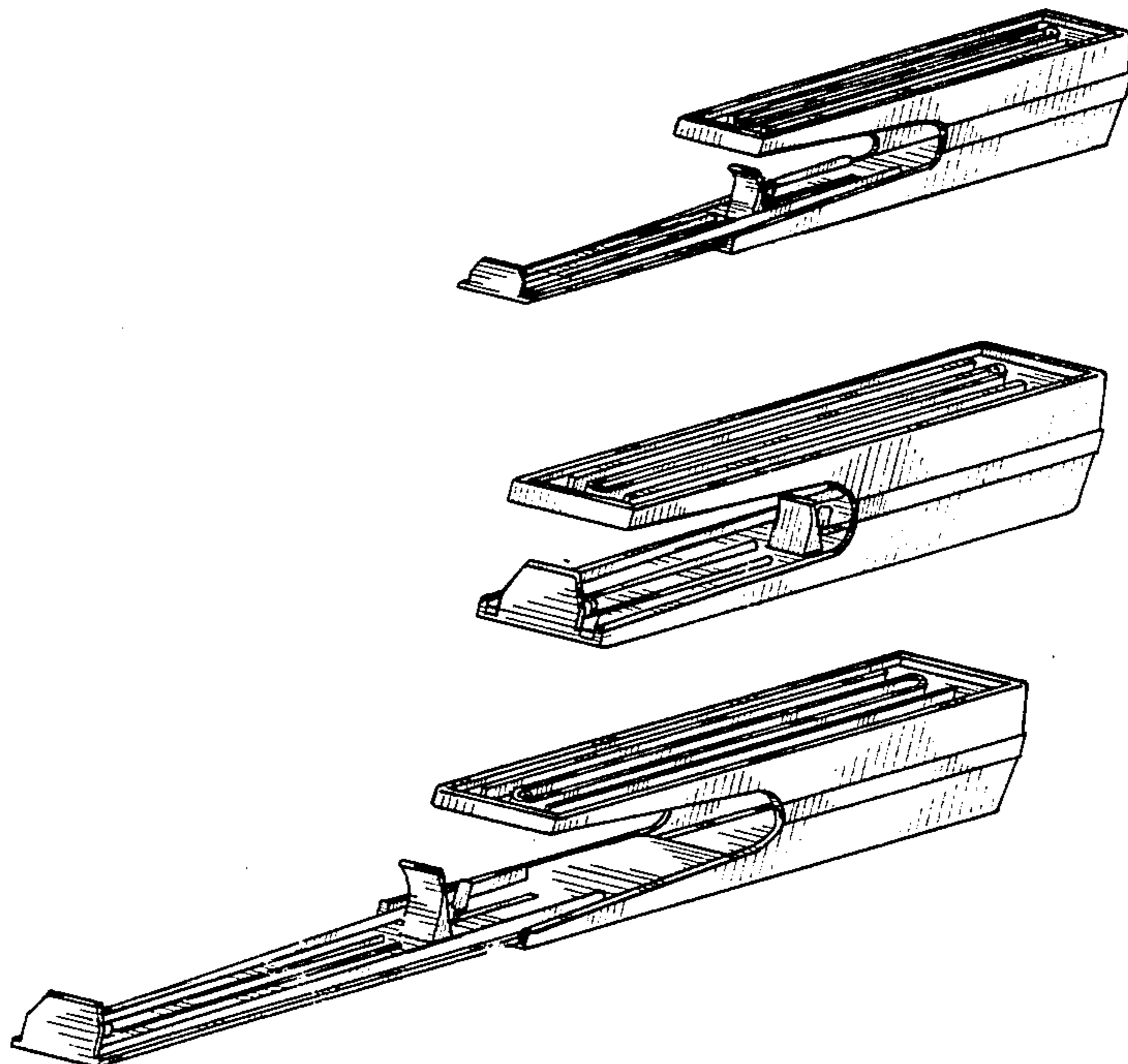
Primary Examiner—Carmen H. Vales-Lado
Attorney, Agent, or Firm—Richard P. Crowley

[57] CLAIM

The ornamental design for a computer support leg with sliding keyboard shelf, as shown and described.

DESCRIPTION

FIG. 1 is a perspective view of a computer support leg with sliding keyboard shelf showing our new design; FIG. 2 is a perspective view in retracted position; FIG. 3 is a perspective view in fully extended position; FIG. 4 is an exploded perspective view, the slidable shelf removed for the convenience of illustration; FIG. 5 is a side elevational view of FIG. 2, the opposite side being a mirror image; FIG. 6 is a front elevational view thereof; FIG. 7 is a rear elevational view thereof; FIG. 8 is a bottom plan view thereof; and FIG. 9 is a bottom plan view of FIG. 3.



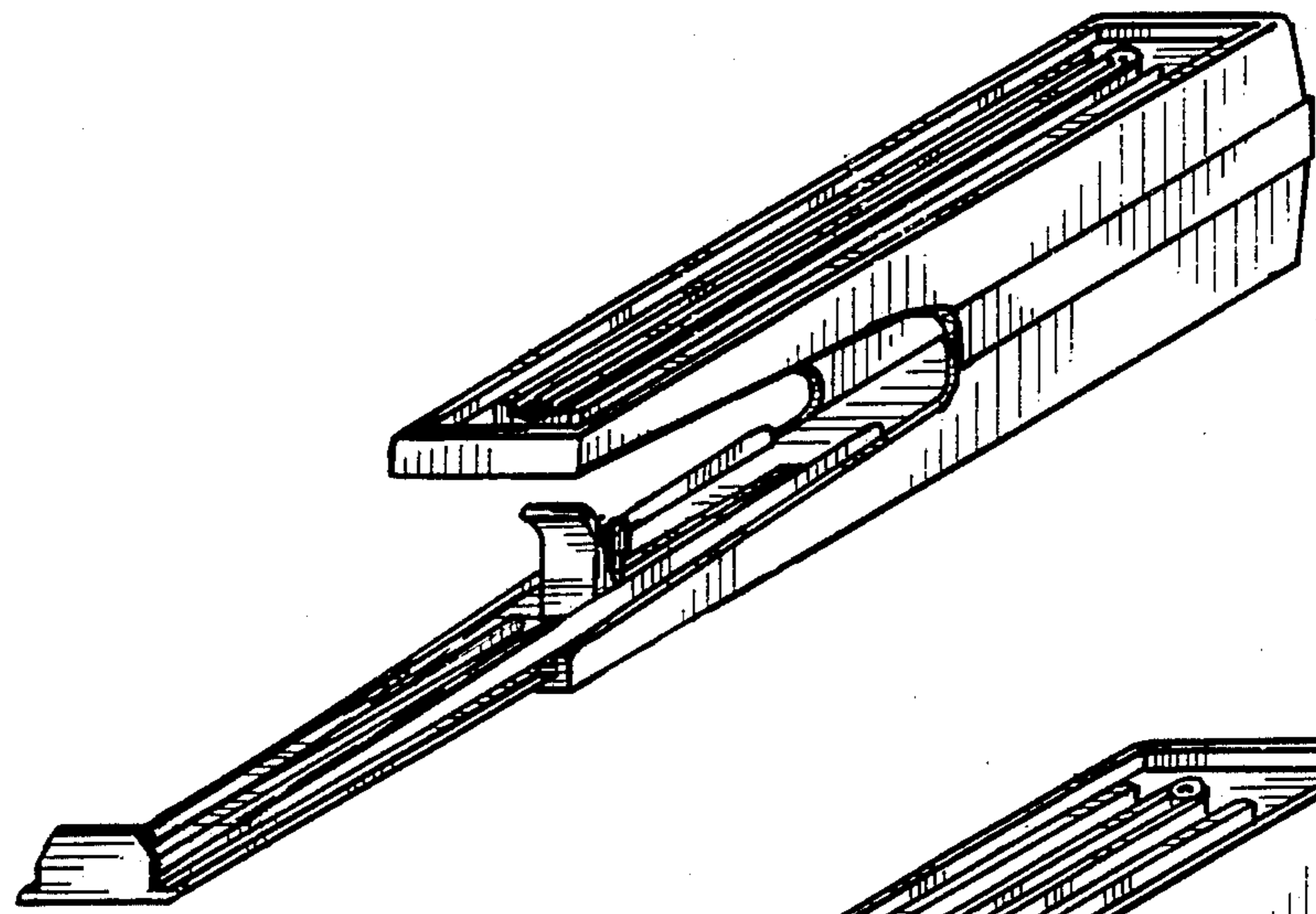


FIG. 1

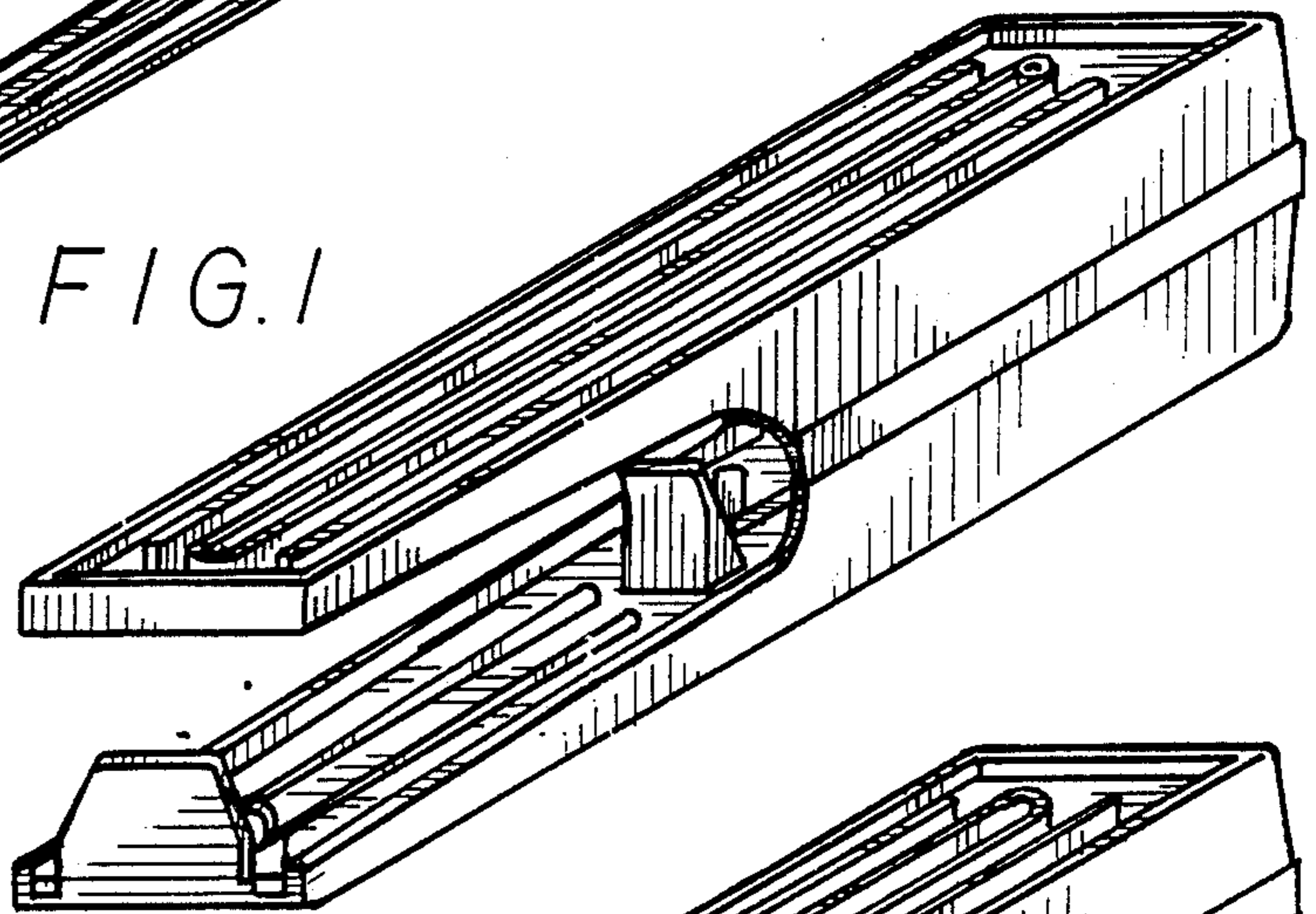


FIG. 2

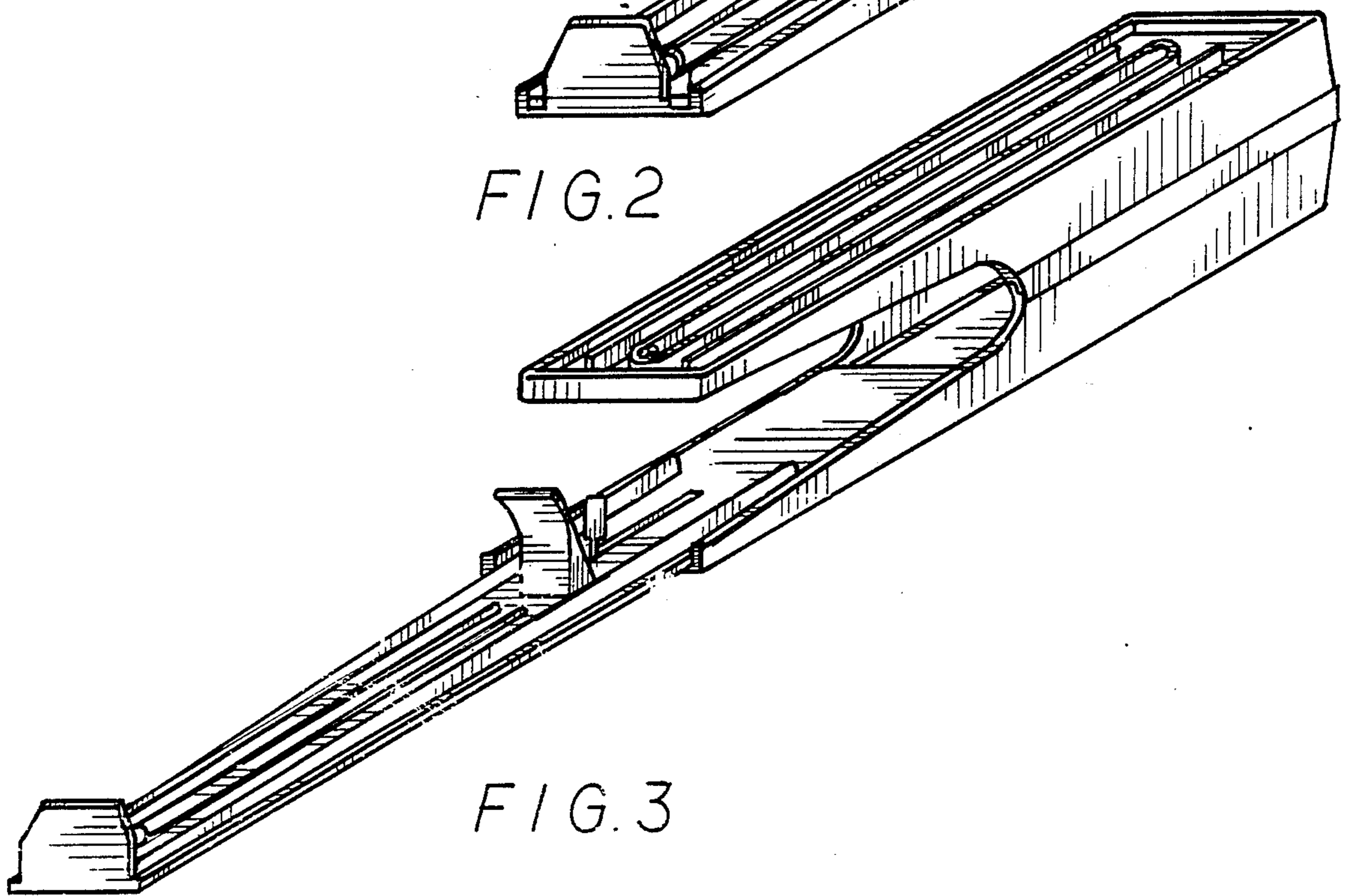


FIG. 3

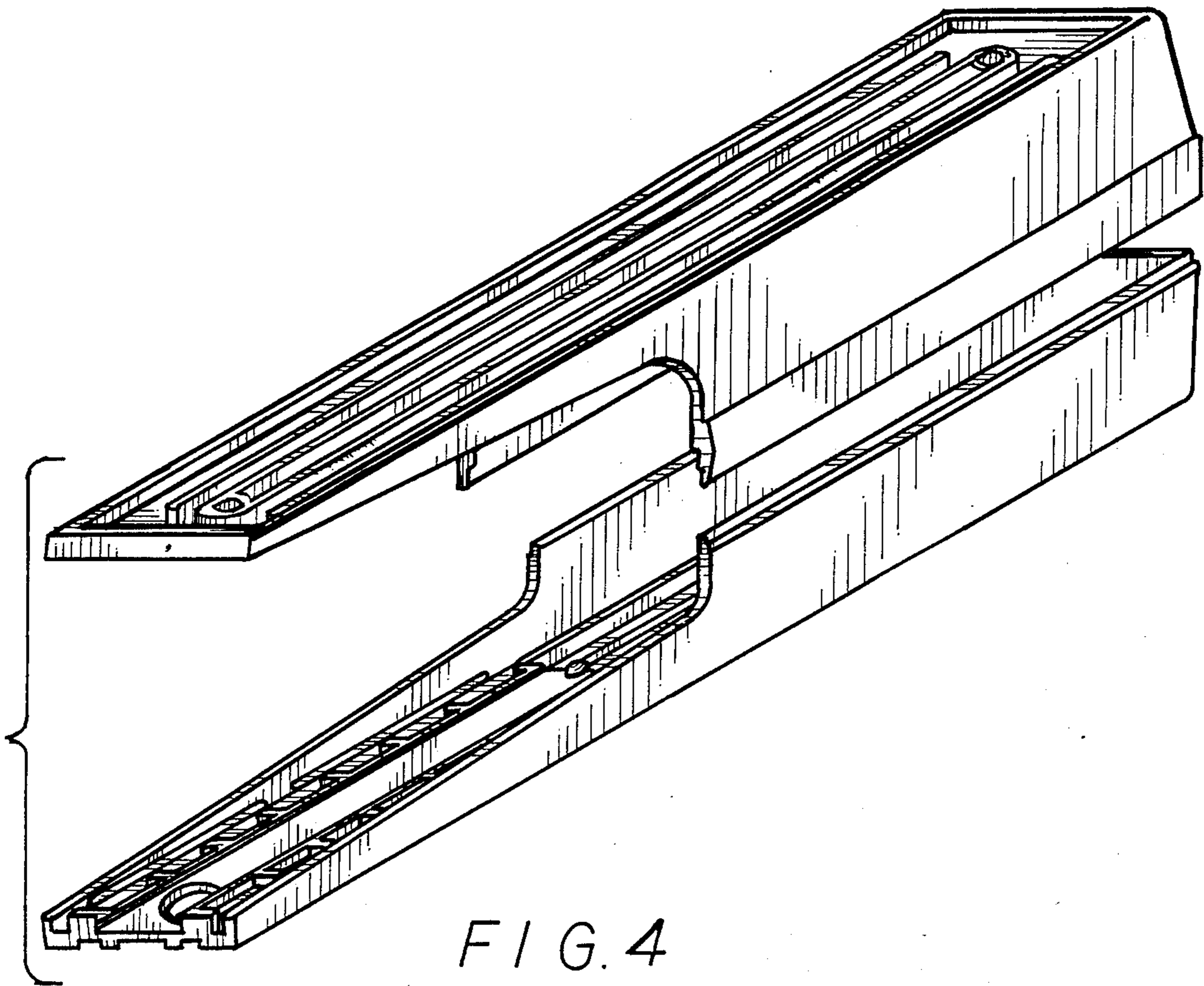


FIG. 4

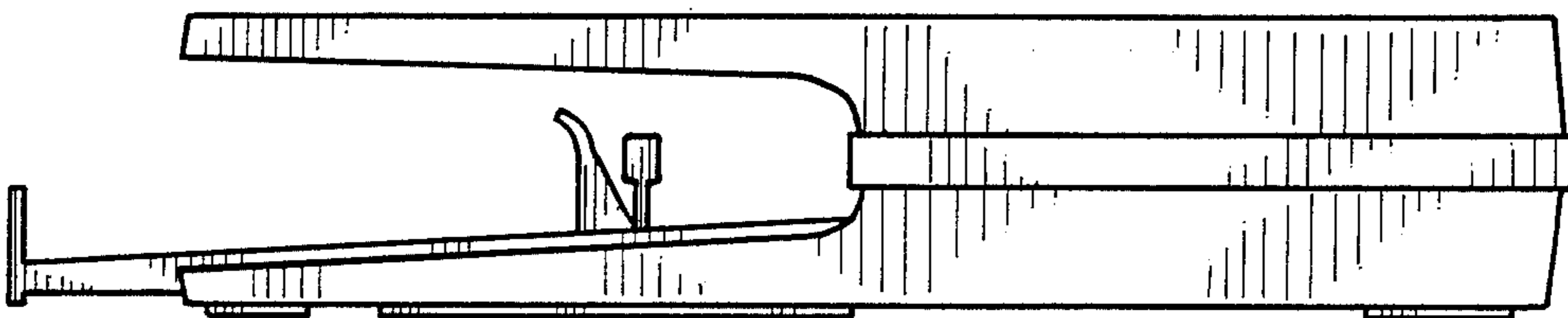


FIG. 5

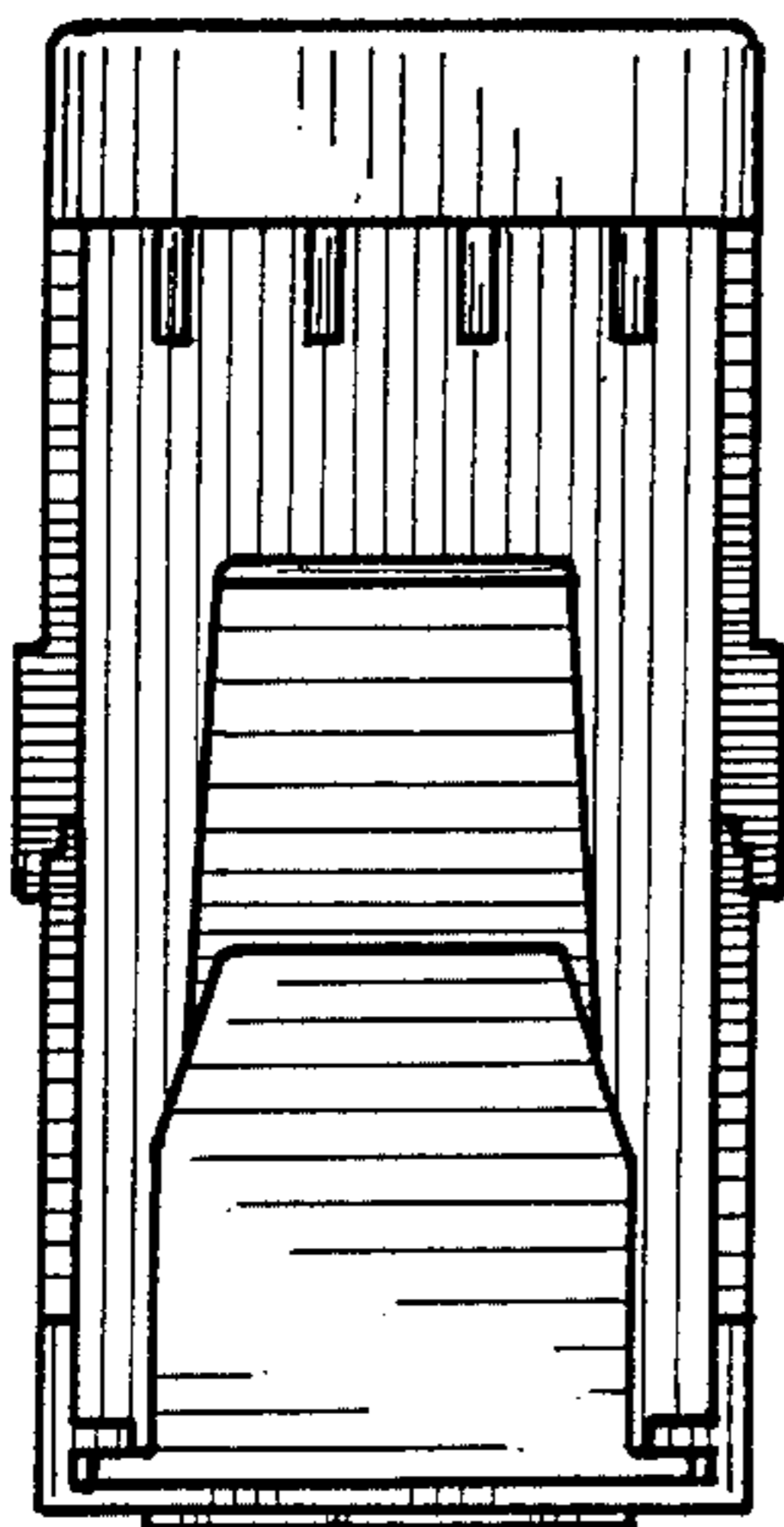


FIG. 6

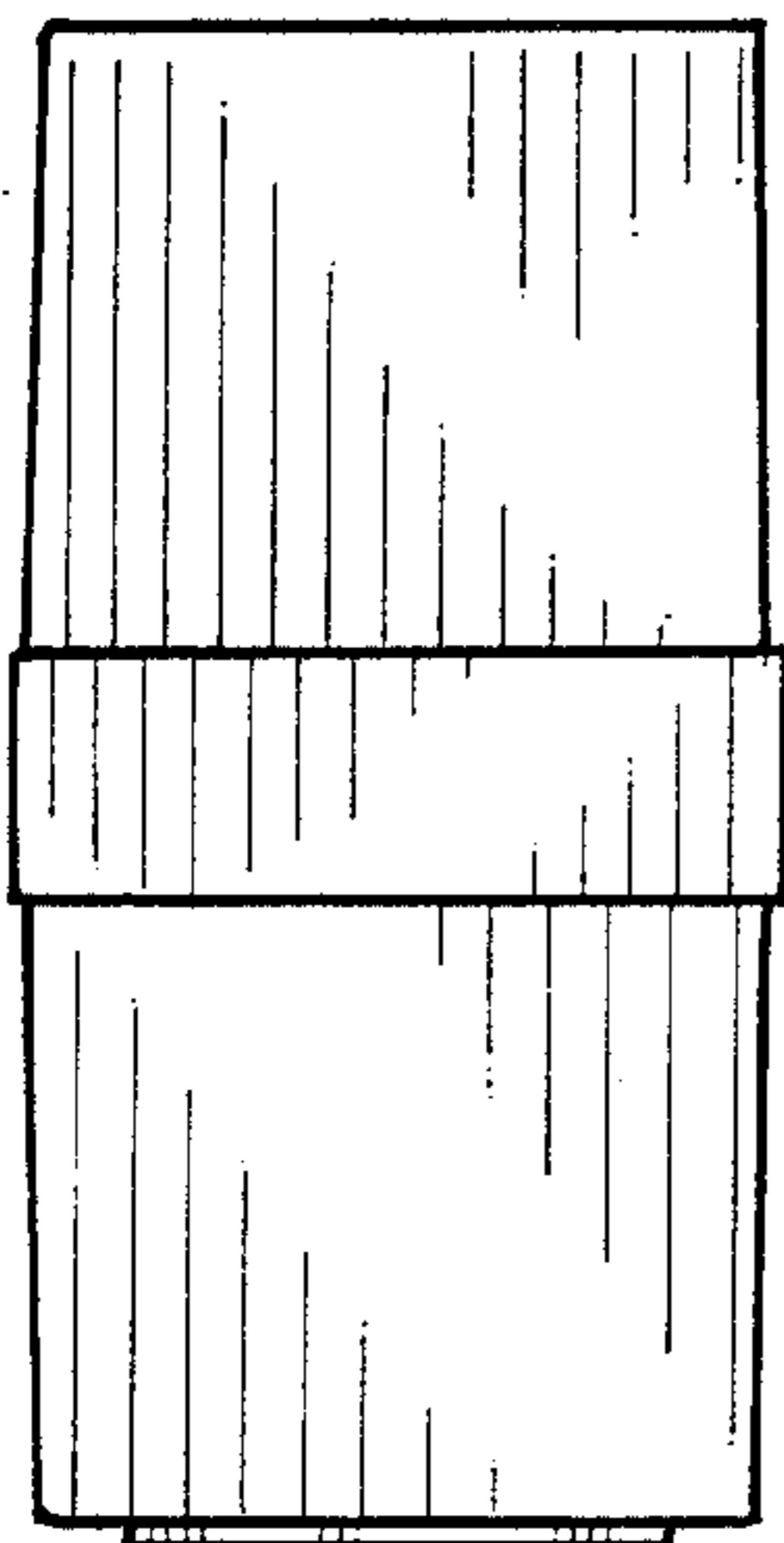


FIG. 7

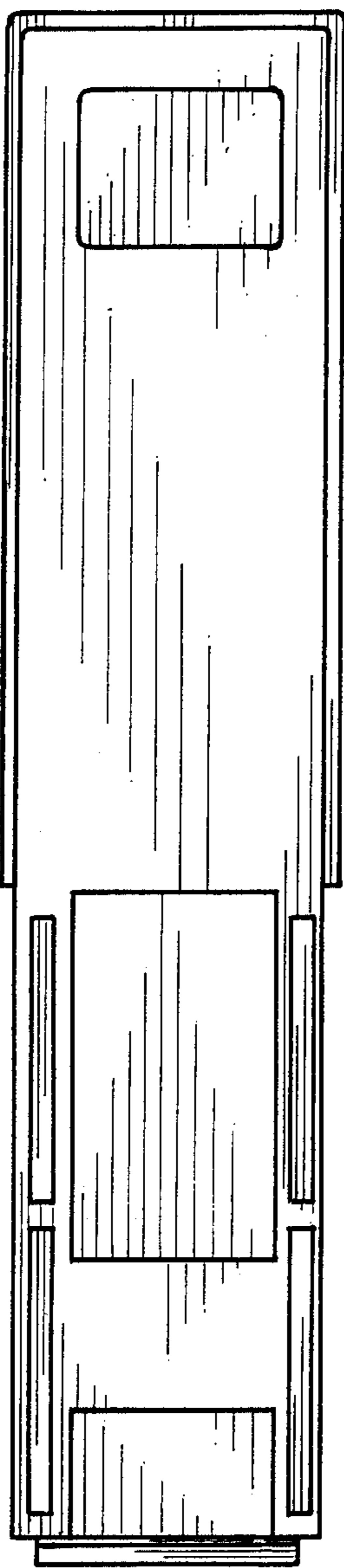


FIG. 8

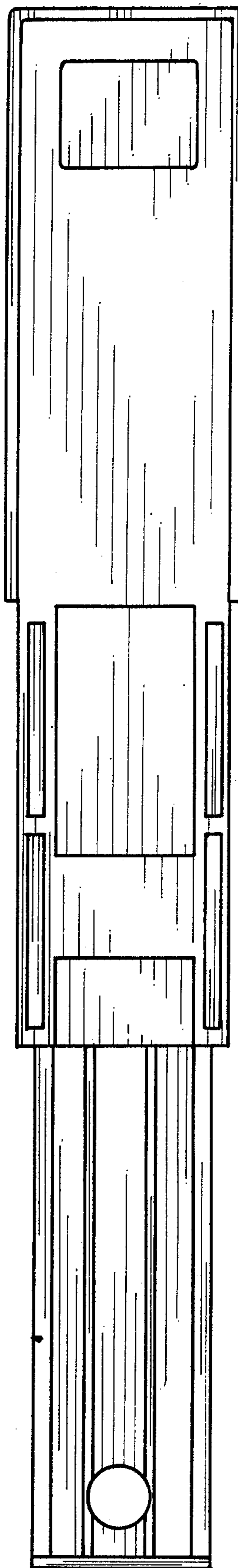


FIG. 9