

[54] HAND-HELD LAMINATING ROLLER

[76] Inventor: Peter A. Levine, 19 Madison St.,
Pequannock, N.J. 07440

[**] Term: 14 Years

[21] Appl. No.: 896,630

[22] Filed: Aug. 14, 1986

[52] U.S. Cl. D18/14

[58] Field of Search D8/14, 51; D4/122, 123;
D18/14, 15, 19; 29/110.5; 15/230.11; 156/579

[56] References Cited

U.S. PATENT DOCUMENTS

D. 165,332	12/1951	Heyer et al.	D18/14
D. 248,416	7/1978	Lupkes	D4/122
2,610,580	9/1952	Burke	D18/14 X
3,568,285	3/1971	Lieberg	156/579
4,537,098	8/1985	Keck	D8/14 X

OTHER PUBLICATIONS

Popular Science, Mar. 1976, p. 84, "Upholsterer" from
General Supplies/top left of page.

Primary Examiner—Nelson C. Holtje
Assistant Examiner—Clare E. Heflin
Attorney, Agent, or Firm—Siegmar Silber

[57] CLAIM

The ornamental design for a hand-held laminating roller, as shown and described.

DESCRIPTION

FIG. 1 is a perspective view of a hand-held laminating roller showing my new design;

FIG. 2 is right side elevational view thereof;

FIG. 3 is a top plan view thereof;

FIG. 4 is a front elevational view thereof;

FIG. 5 is a rear elevational view thereof;

FIG. 6 is a bottom plan view thereof.

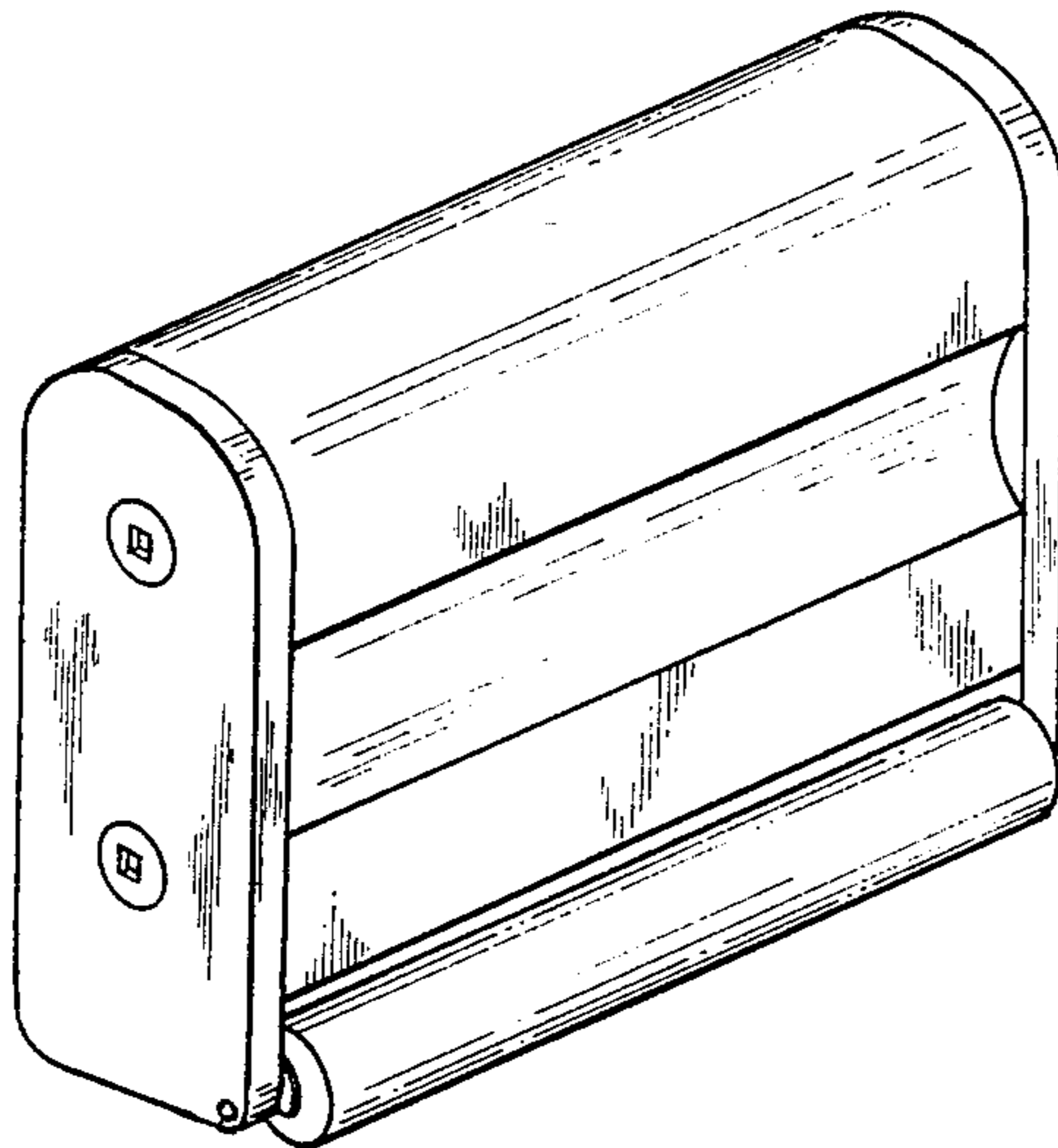


FIG. 1

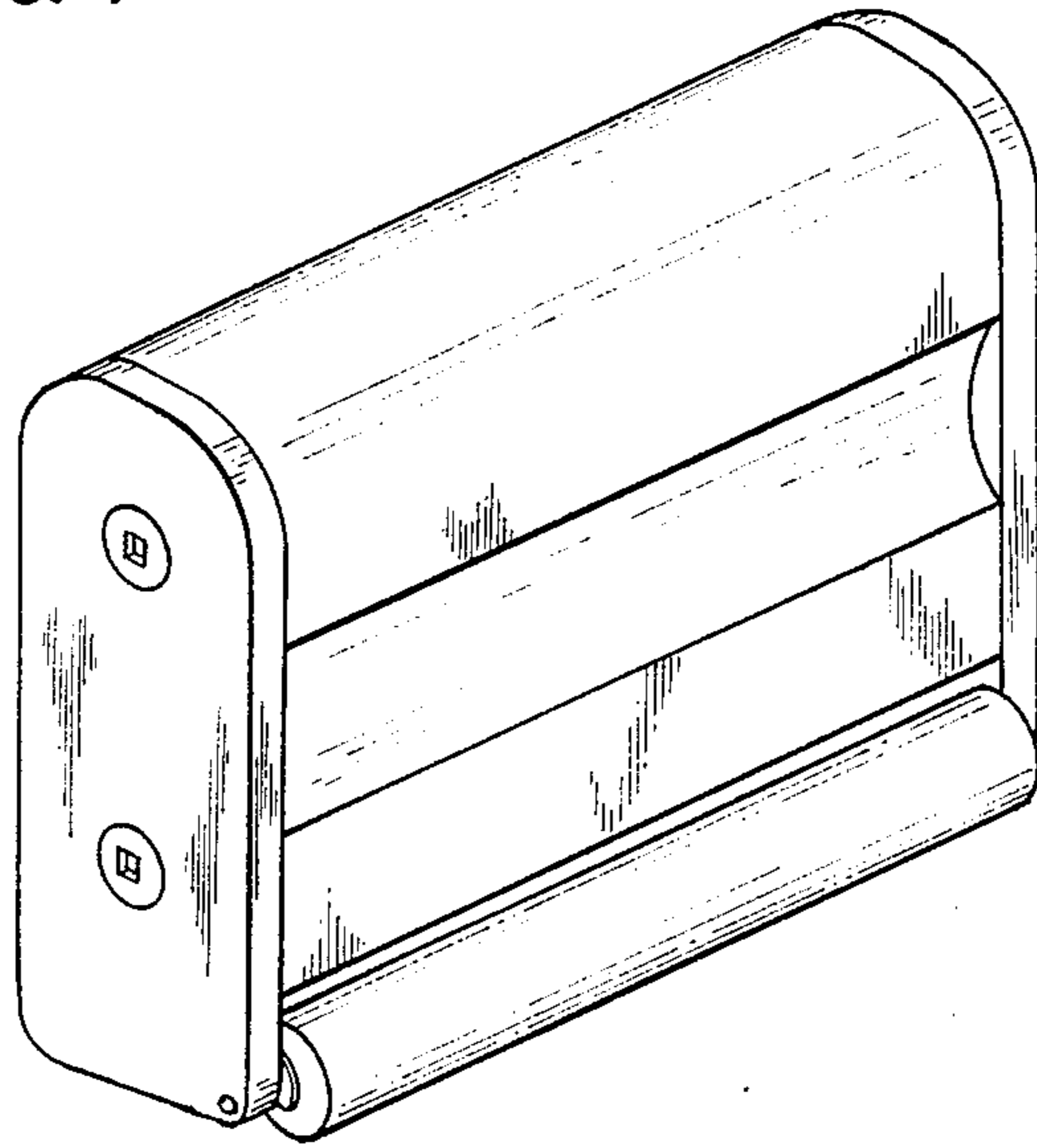


FIG. 2

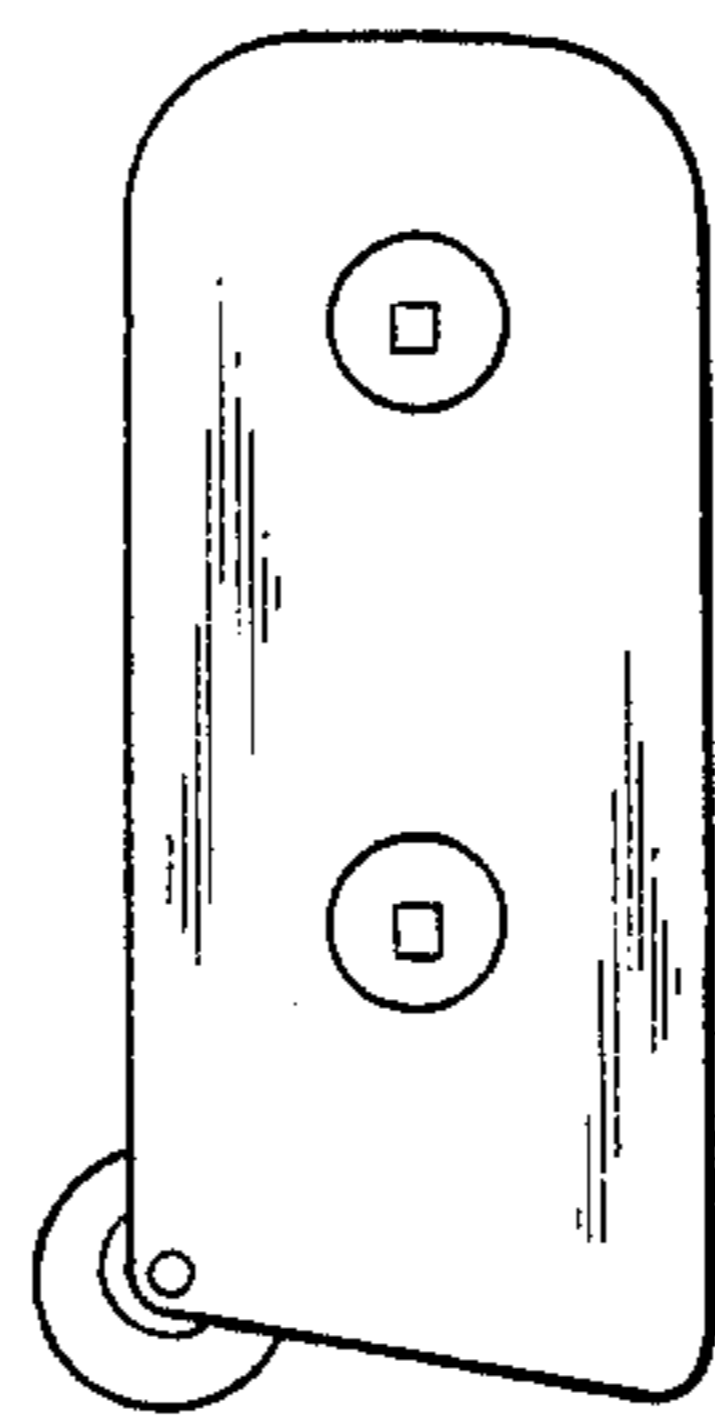


FIG. 3

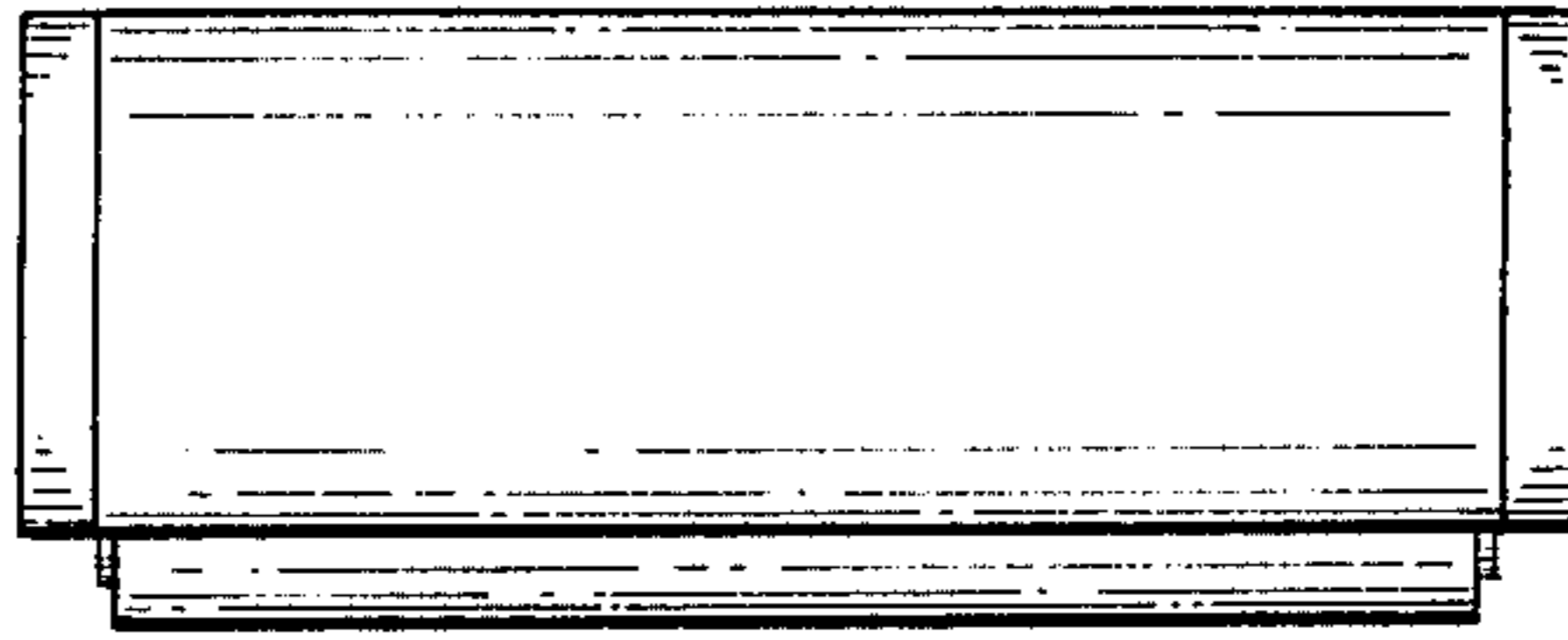


FIG. 4

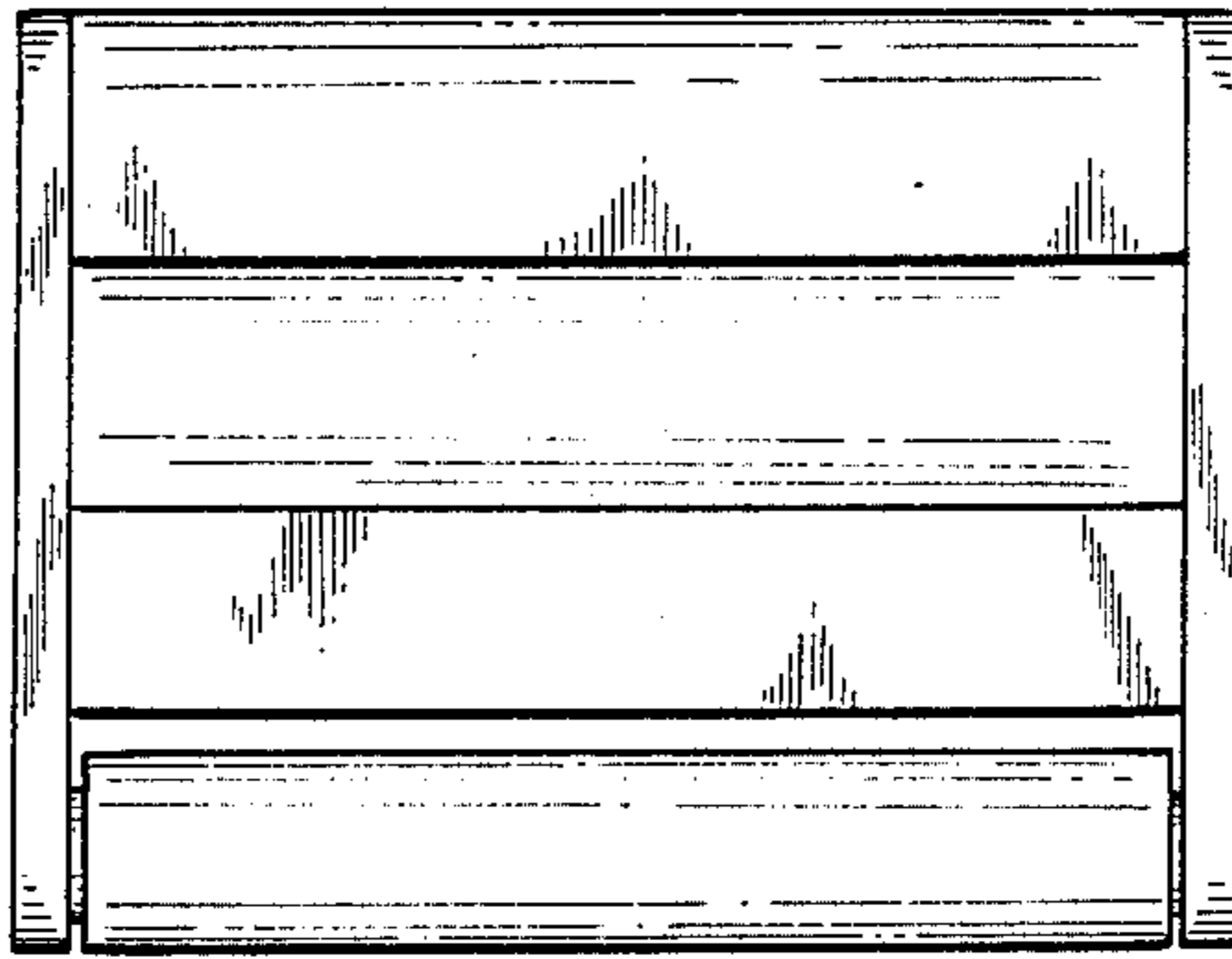


FIG. 5

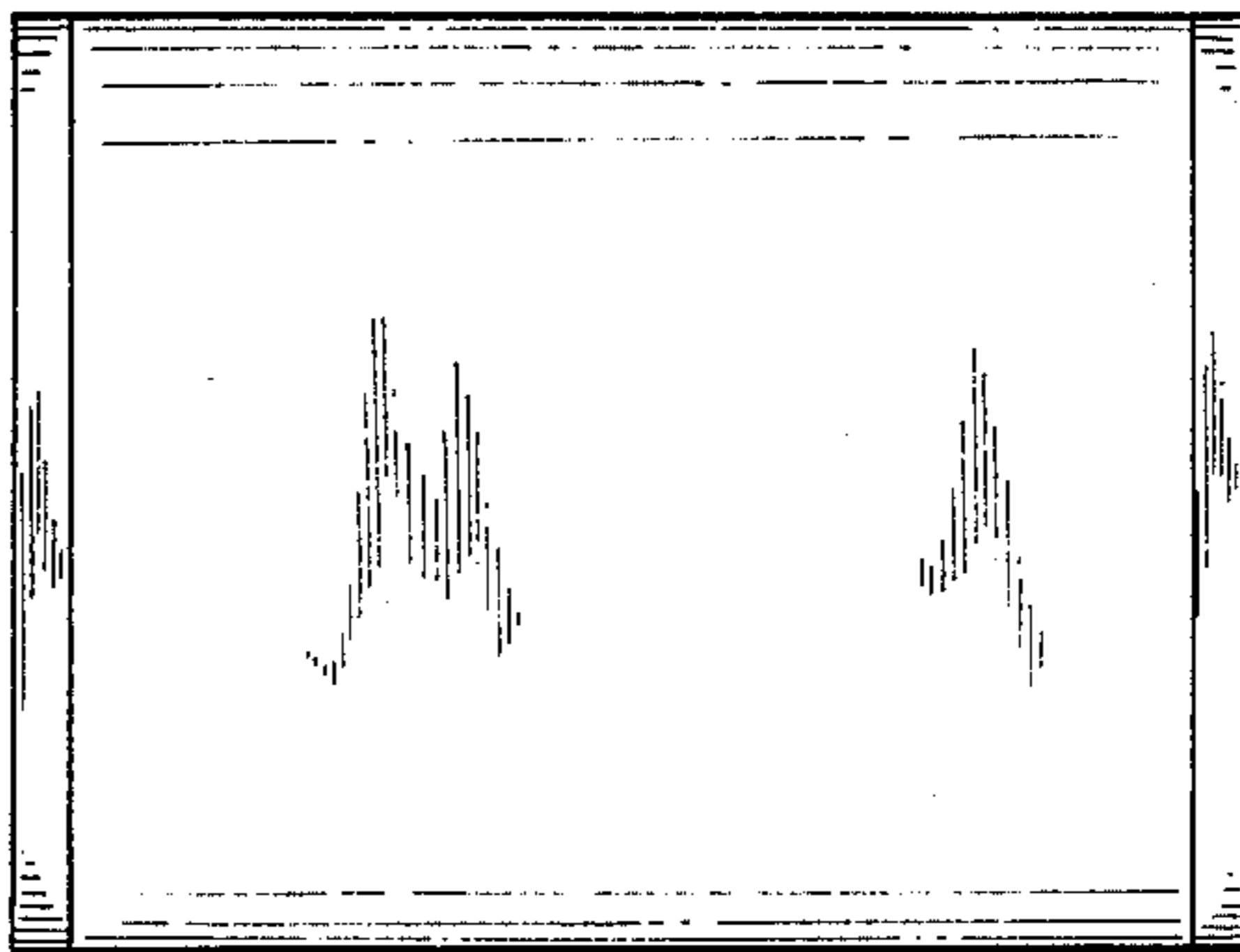


FIG. 6

