

[54] ELECTRIC PLANER

[75] Inventors: Juzaburo Monobe, Hiroshima;
Kiyoshi Hoshino, Tokyo, both of
Japan

[73] Assignee: Ryobi Ltd., Hiroshima, Japan

[**] Term: 14 Years

[21] Appl. No.: 111,837

[22] Filed: Oct. 22, 1987

[30] Foreign Application Priority Data

Apr. 24, 1987 [JP] Japan 62-16272

[52] U.S. Cl. D15/127

[58] Field of Search D15/122, 127;
144/114 R, 117 R, 129, 130

[56] References Cited

U.S. PATENT DOCUMENTS

D. 142,811 11/1945 Andresen D15/127

D. 156,923 1/1950 Stevens D15/127

D. 267,406 12/1982 Glore D15/127

D. 284,286 6/1986 Pioch et al. D15/127

D. 299,146 12/1988 Pollak et al. D15/127

FOREIGN PATENT DOCUMENTS

692189 11/1986 Japan .

Primary Examiner—Nelson C. Holtje
Assistant Examiner—Jeffrey Asch
Attorney, Agent, or Firm—Sughrue, Mion, Zinn,
Macpeak & Seas

[57] CLAIM

The ornamental design for an electric planer, as shown.

DESCRIPTION

FIG. 1 is a front, top and right side perspective view of an electric planer showing our new design; FIG. 2 is a front elevational view; FIG. 3 is a rear elevational view; FIG. 4 is a top plan view; FIG. 5 is a bottom plan view; FIG. 6 is a left side elevational view; and FIG. 7 is a right side elevational view thereof.

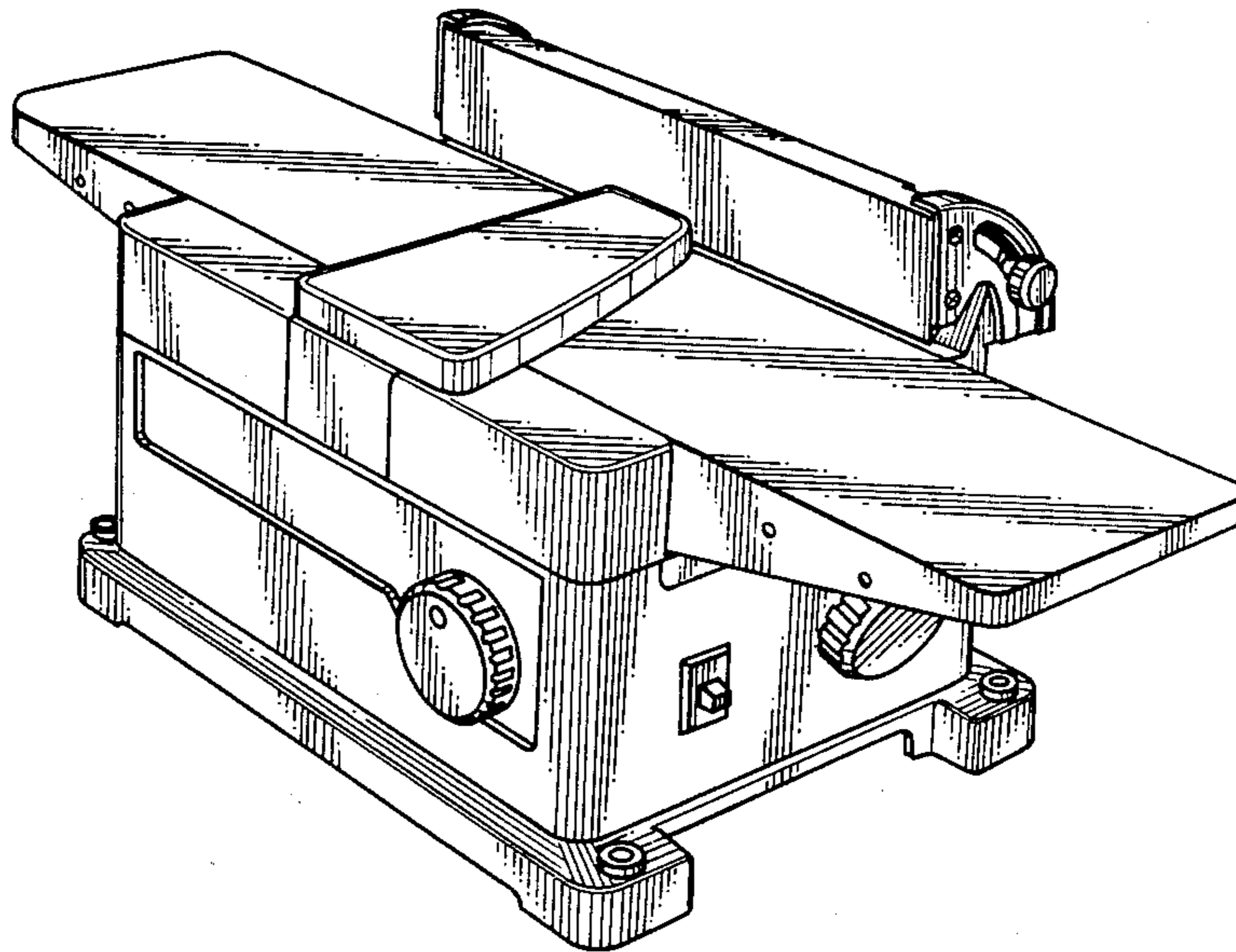


Fig. 1

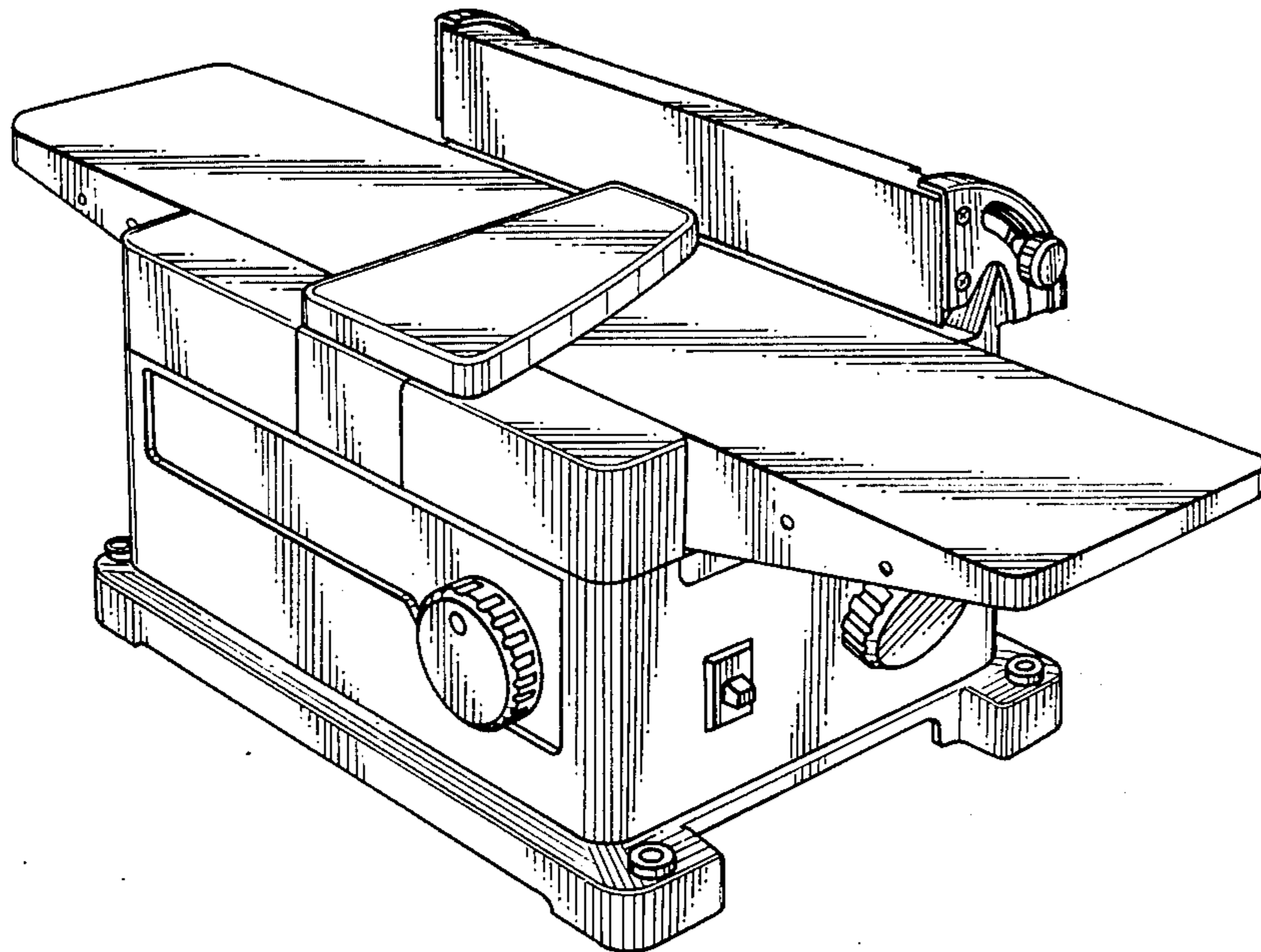


Fig. 2

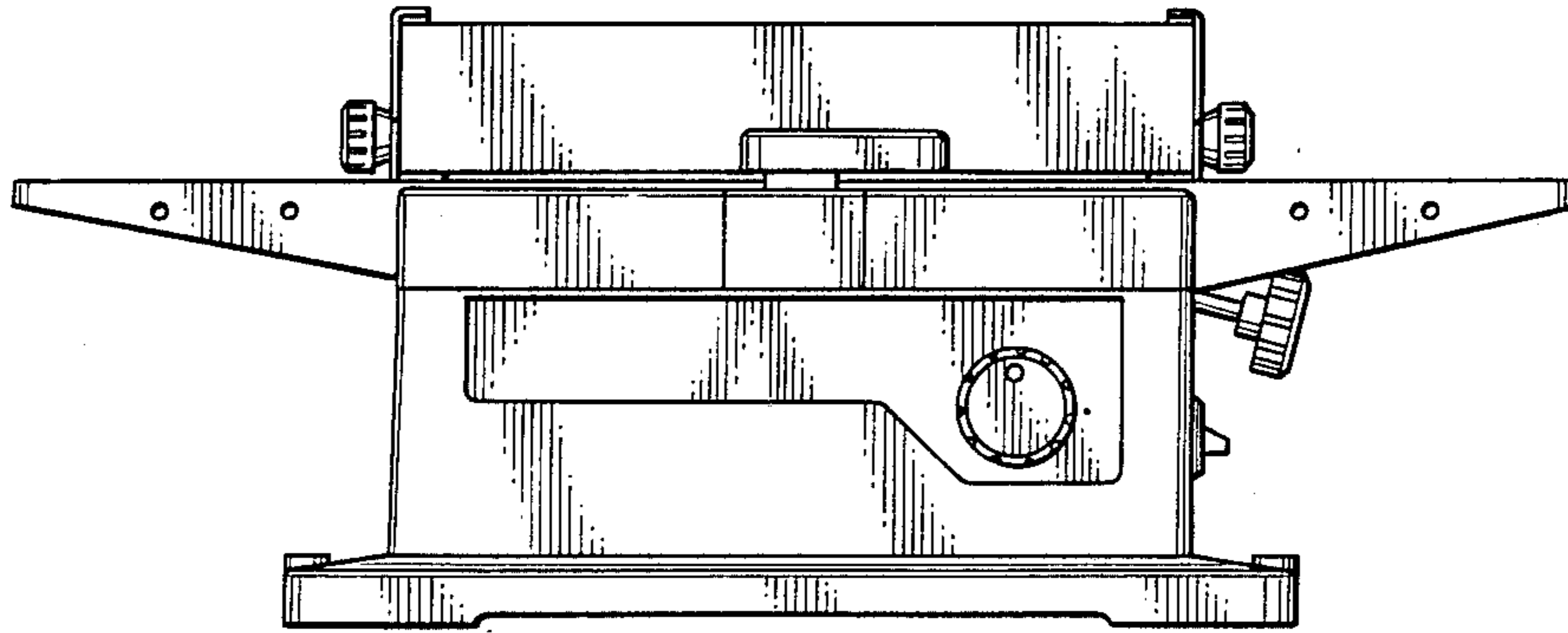


Fig. 3

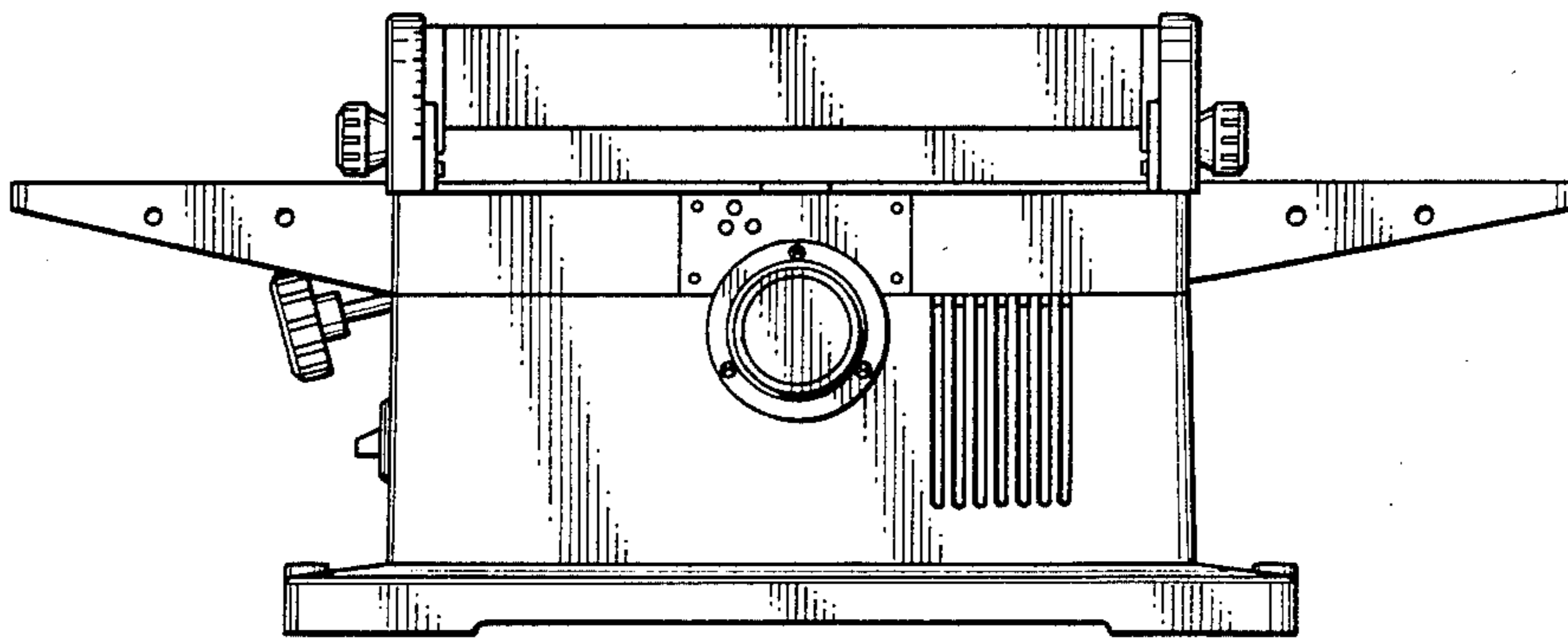


Fig. 4

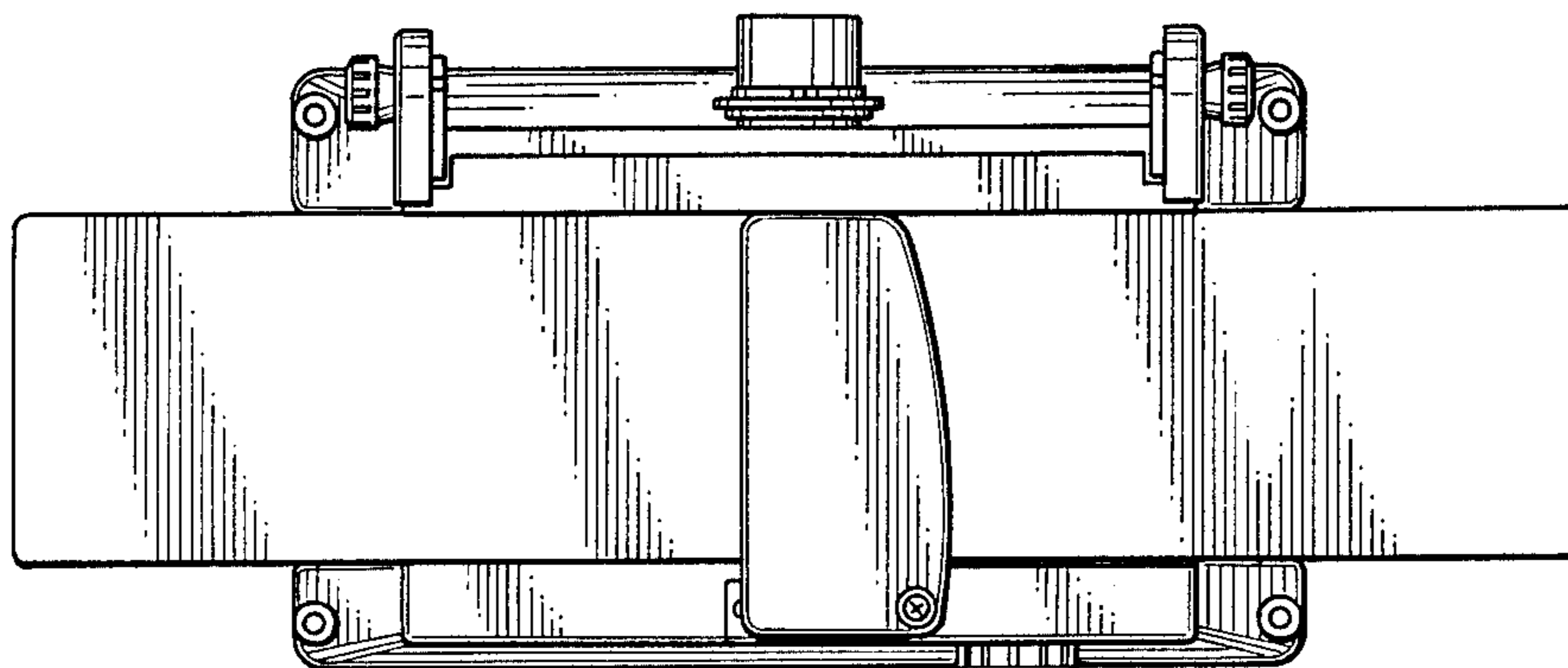


Fig. 5

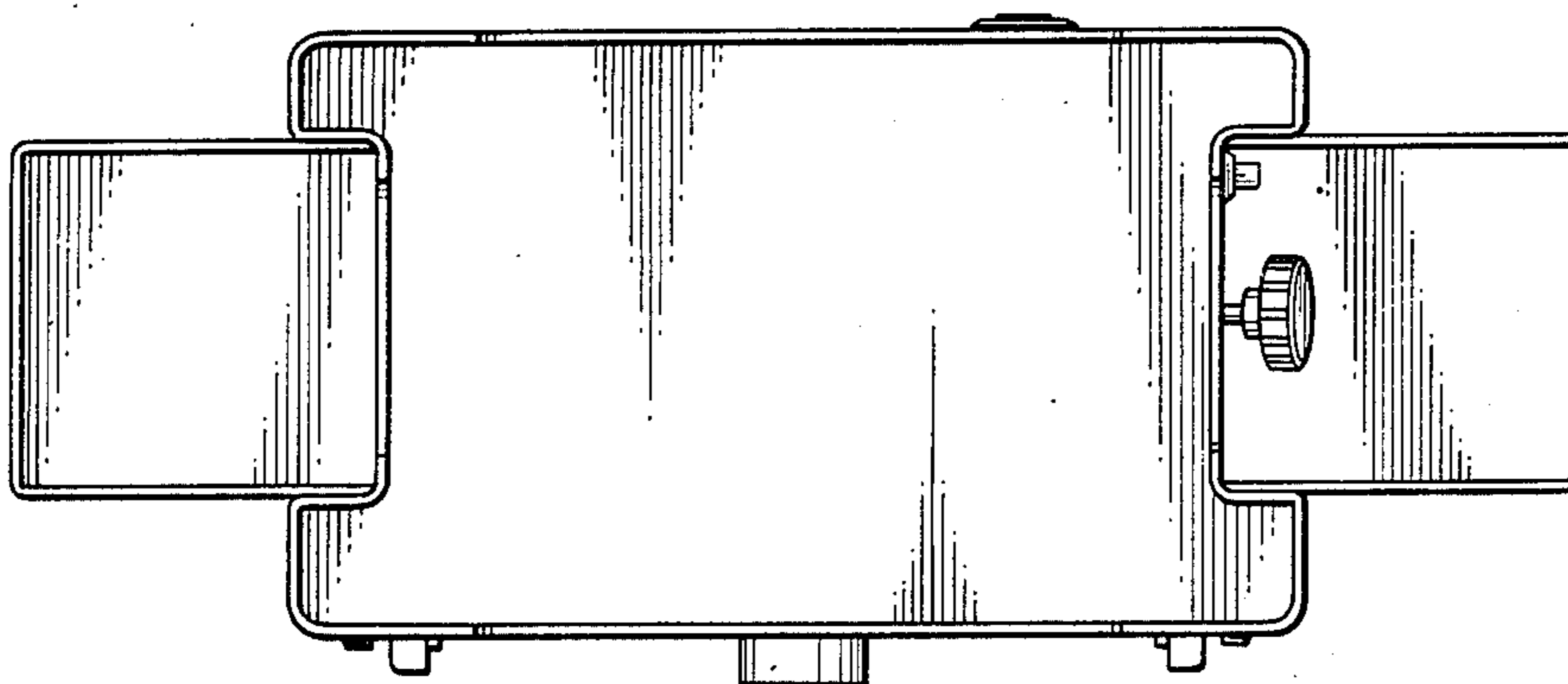


Fig. 6

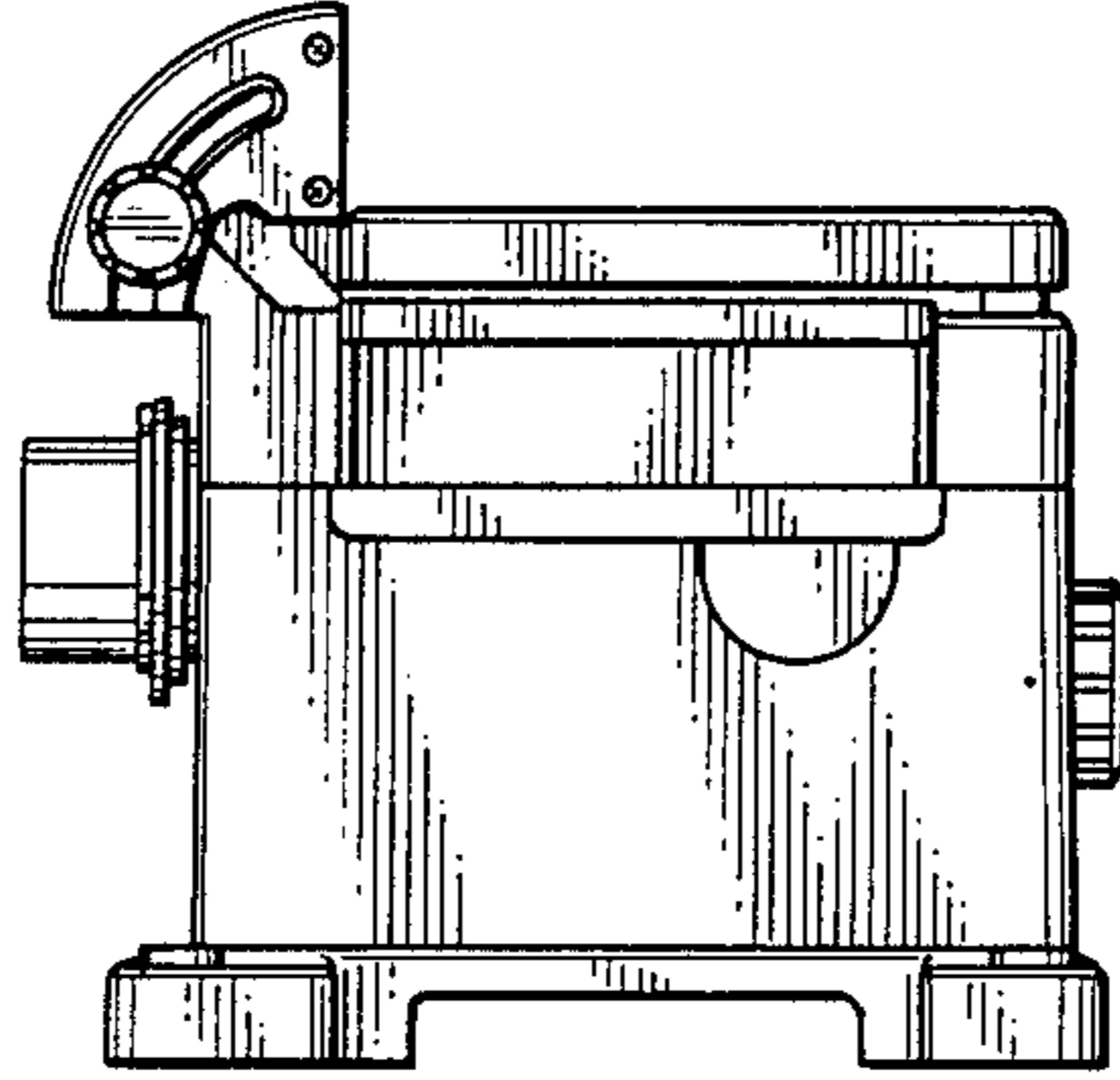


Fig. 7

