

United States Patent [19]

Ridgeon

[11] Patent Number: **Des. 307,590**

[45] Date of Patent: **** May 1, 1990**

[54] **SPRAYER**

[75] Inventor: **Paul W. Ridgeon, Haslingfield, England**

[73] Assignee: **Walkover Sprayers Limited, Cambridge, England**

[**] Term: **14 Years**

[21] Appl. No.: **127,005**

[22] Filed: **Nov. 30, 1987**

[52] U.S. Cl. **D15/13**

[58] Field of Search **D15/10, 13, 19, 26; 222/608, 613, 623, 624; 239/146, 157**

[56] **References Cited**

U.S. PATENT DOCUMENTS

D. 232,938 9/1974 Hettich et al. D15/13
D. 235,996 7/1975 Schneider D15/13

D. 262,627 1/1982 David et al. D15/13
2,703,256 3/1955 Mascaro 222/613
4,240,583 12/1980 Hughes 239/157

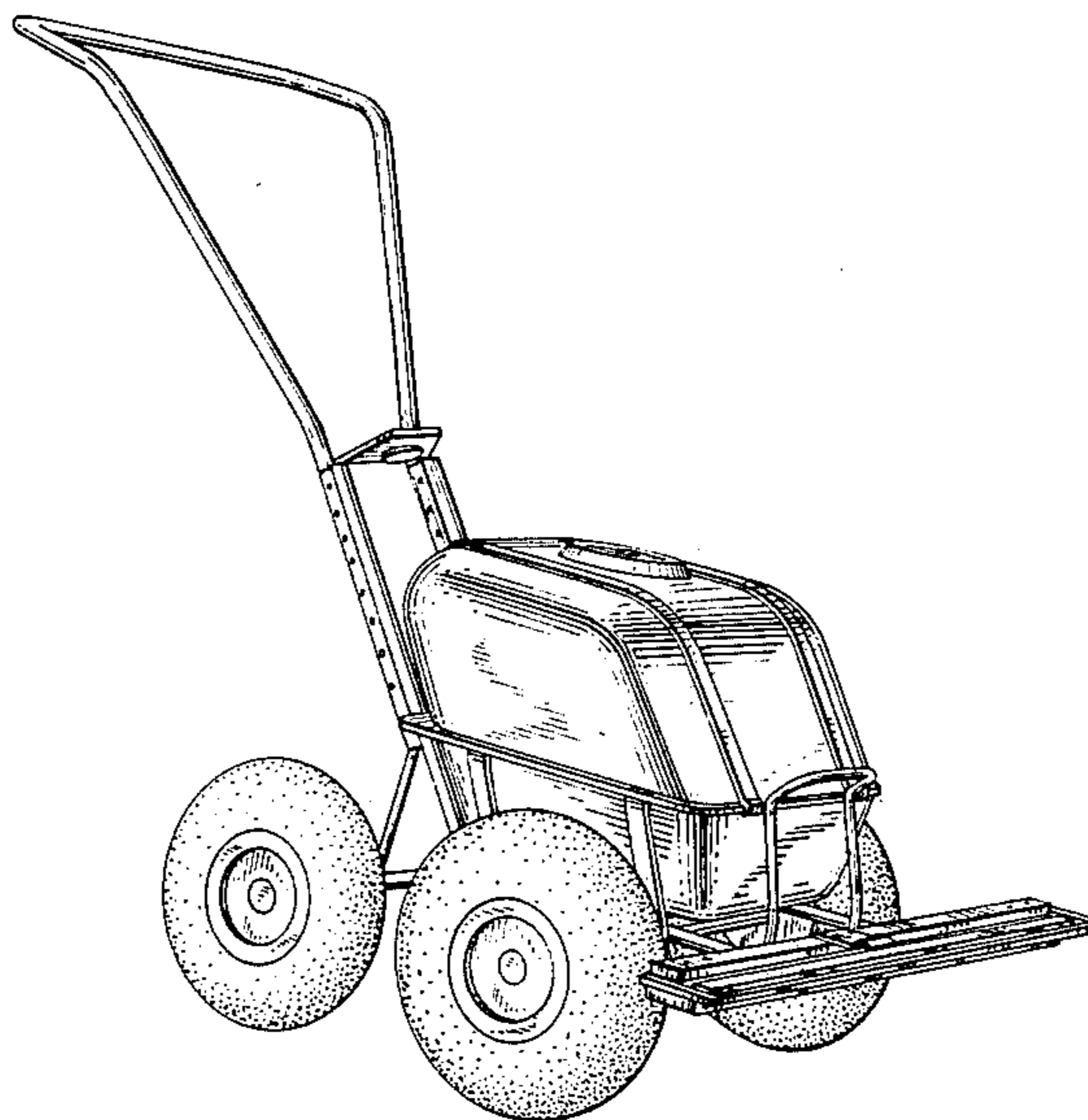
Primary Examiner—A. Hugo Word
Assistant Examiner—Ruth McInroy
Attorney, Agent, or Firm—Blum Kaplan

[57] **CLAIM**

The ornamental design for a sprayer, as shown and described.

DESCRIPTION

FIG. 1 is a left side elevational view of a sprayer showing my new design;
FIG. 2 is a front elevational view thereof;
FIG. 3 is a top plan view thereof;
FIG. 4 is a right side-elevational view thereof;
FIG. 5 is a rear elevational view thereof;
FIG. 6 is a bottom plan view thereof; and
FIG. 7 is a perspective view thereof.



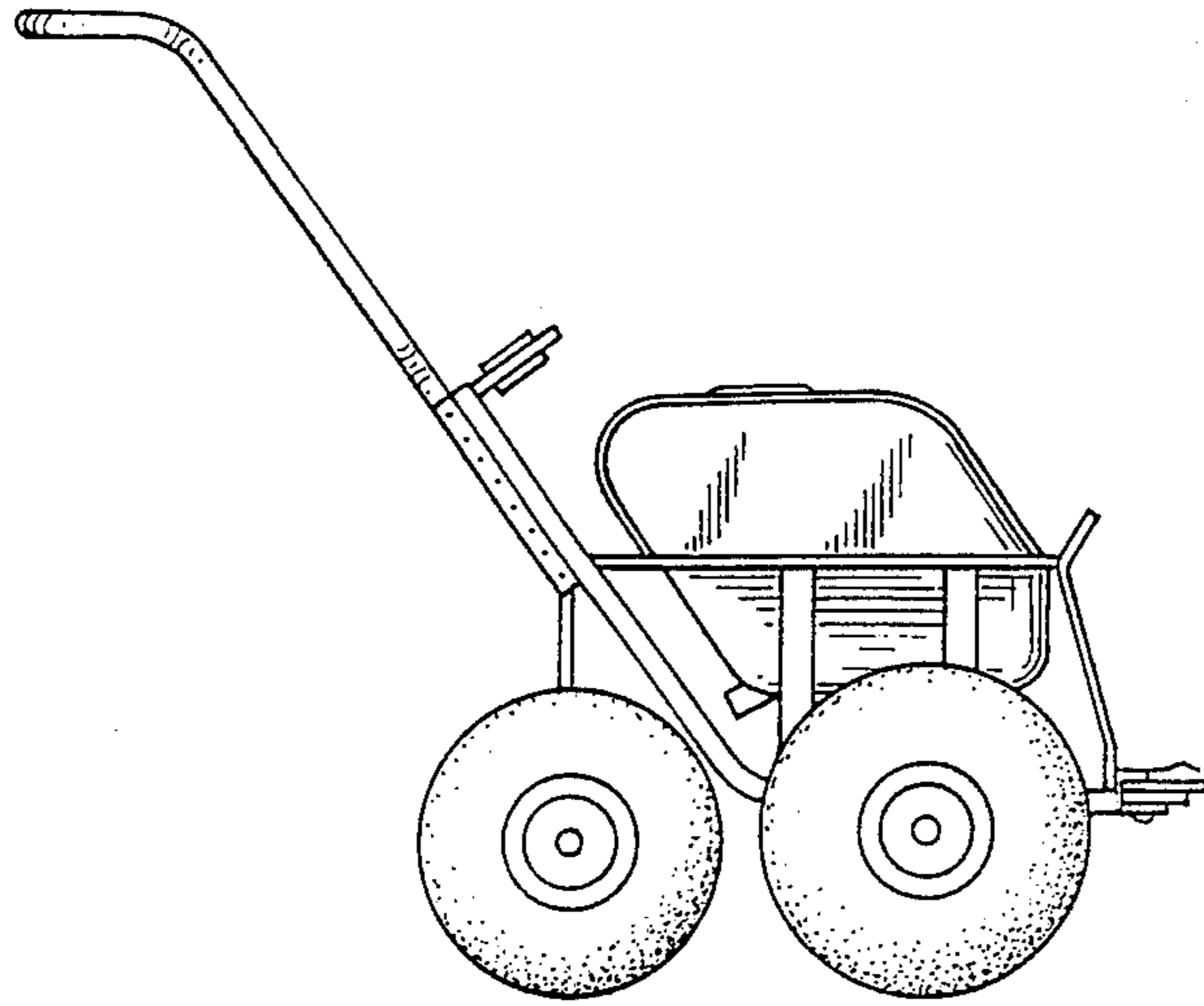


FIG. 1

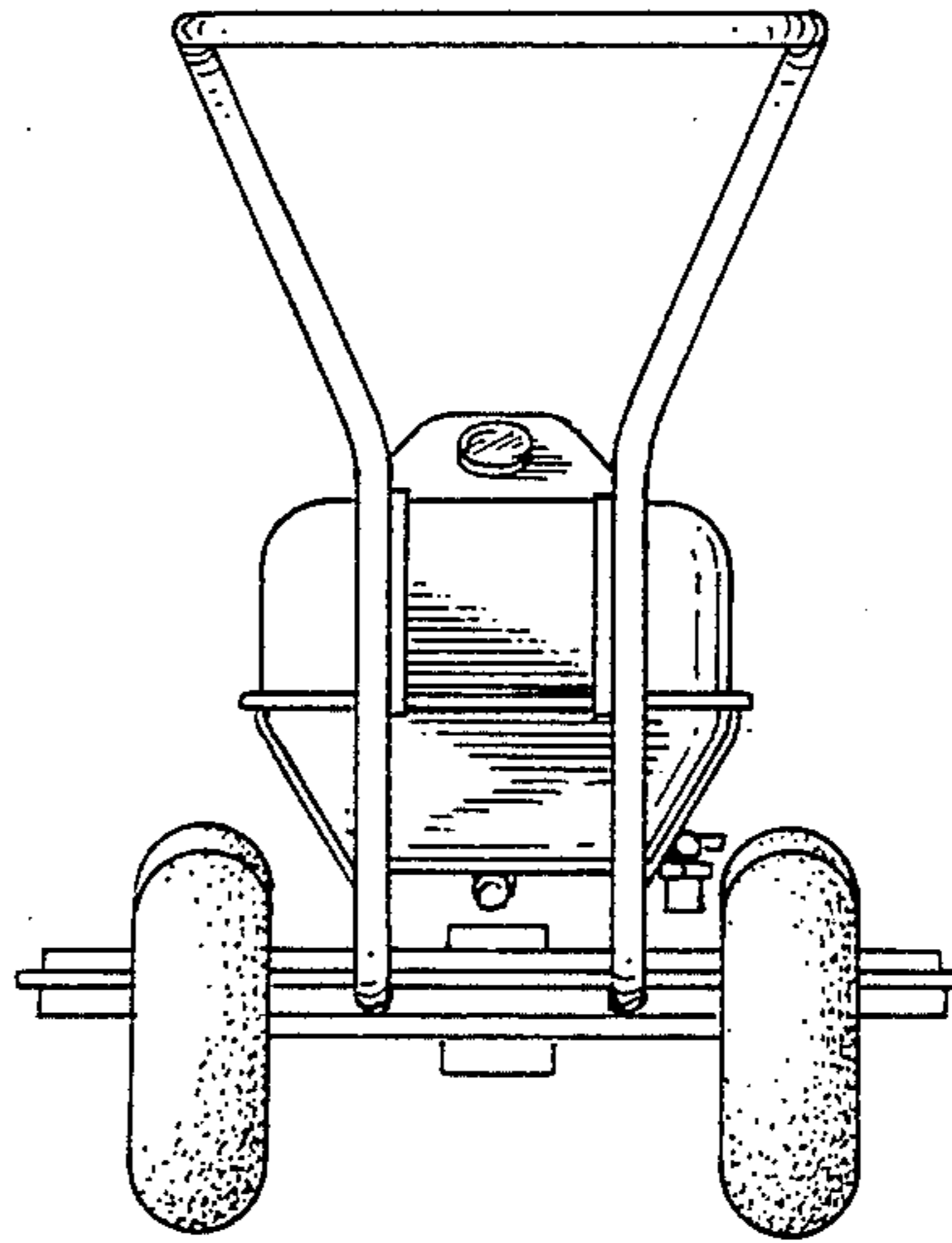


FIG. 2

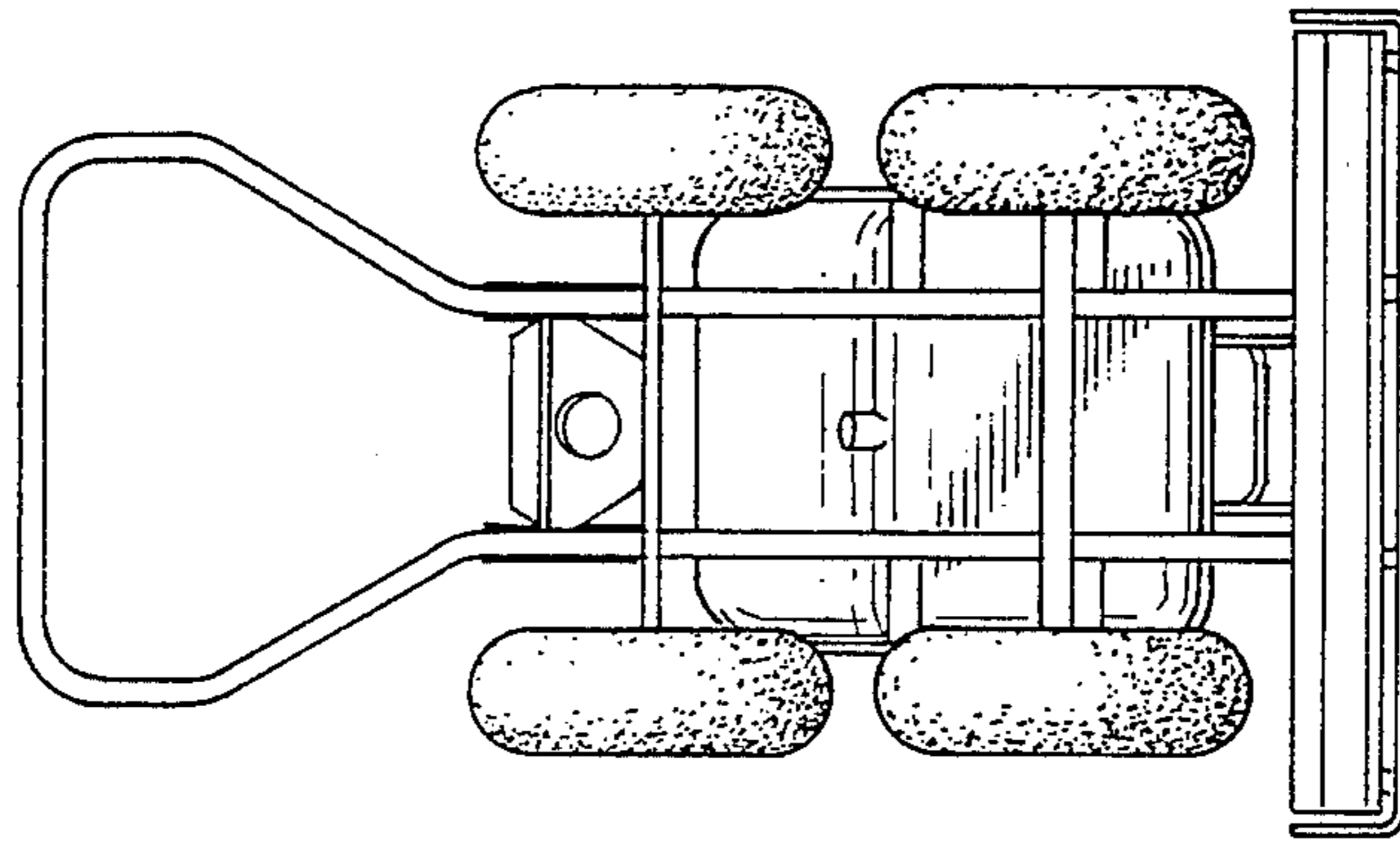


FIG. 3

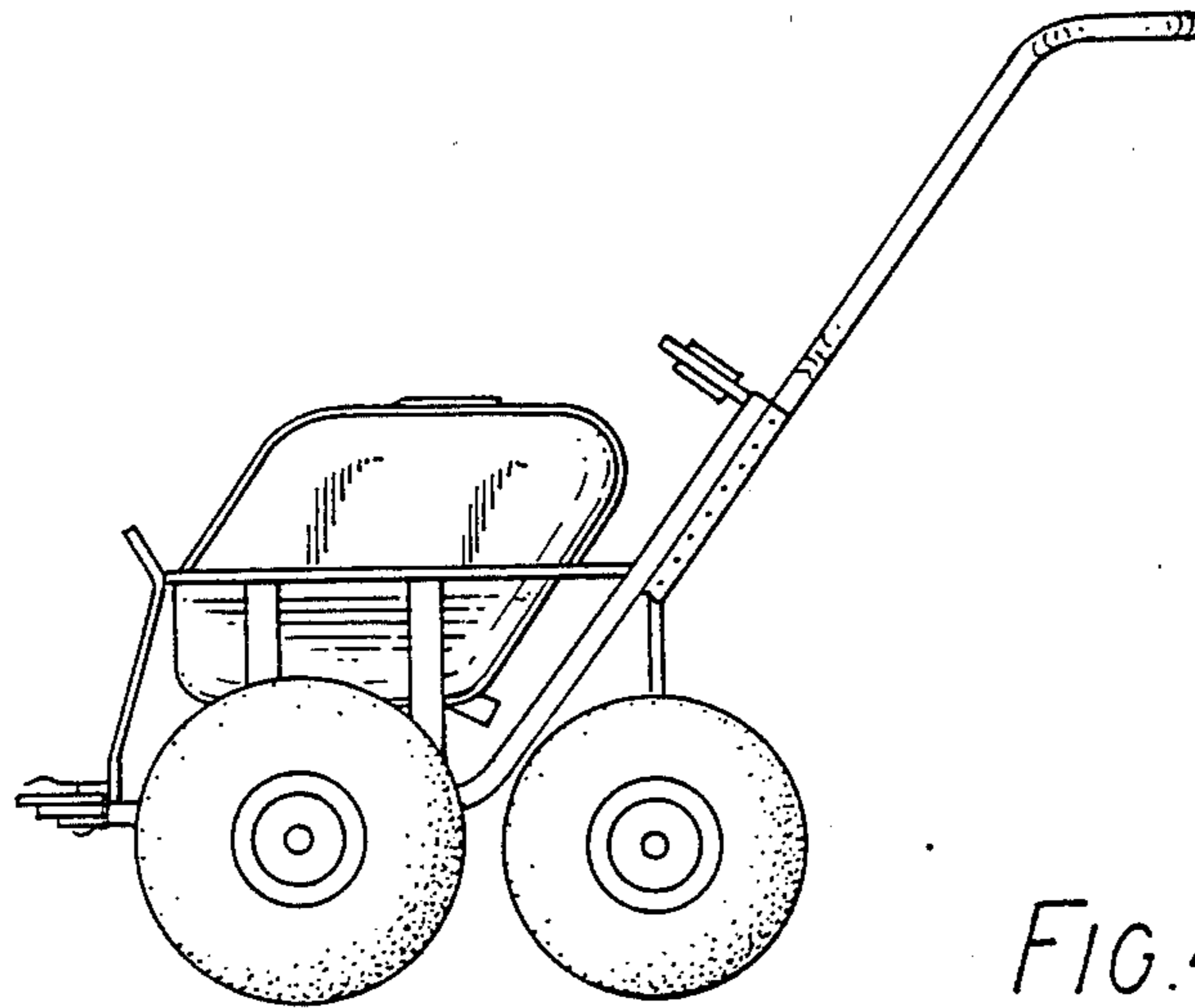


FIG. 4

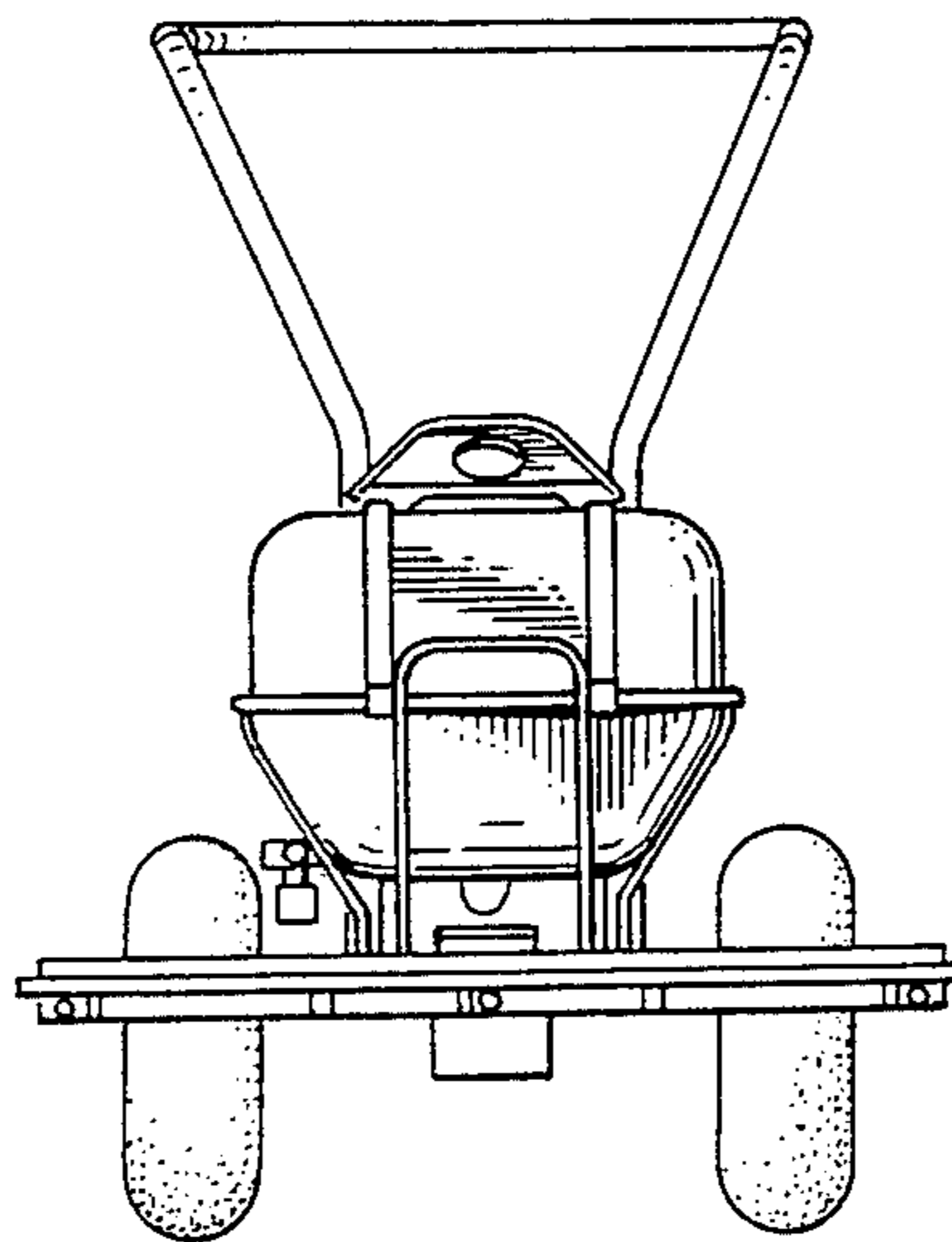


FIG. 5

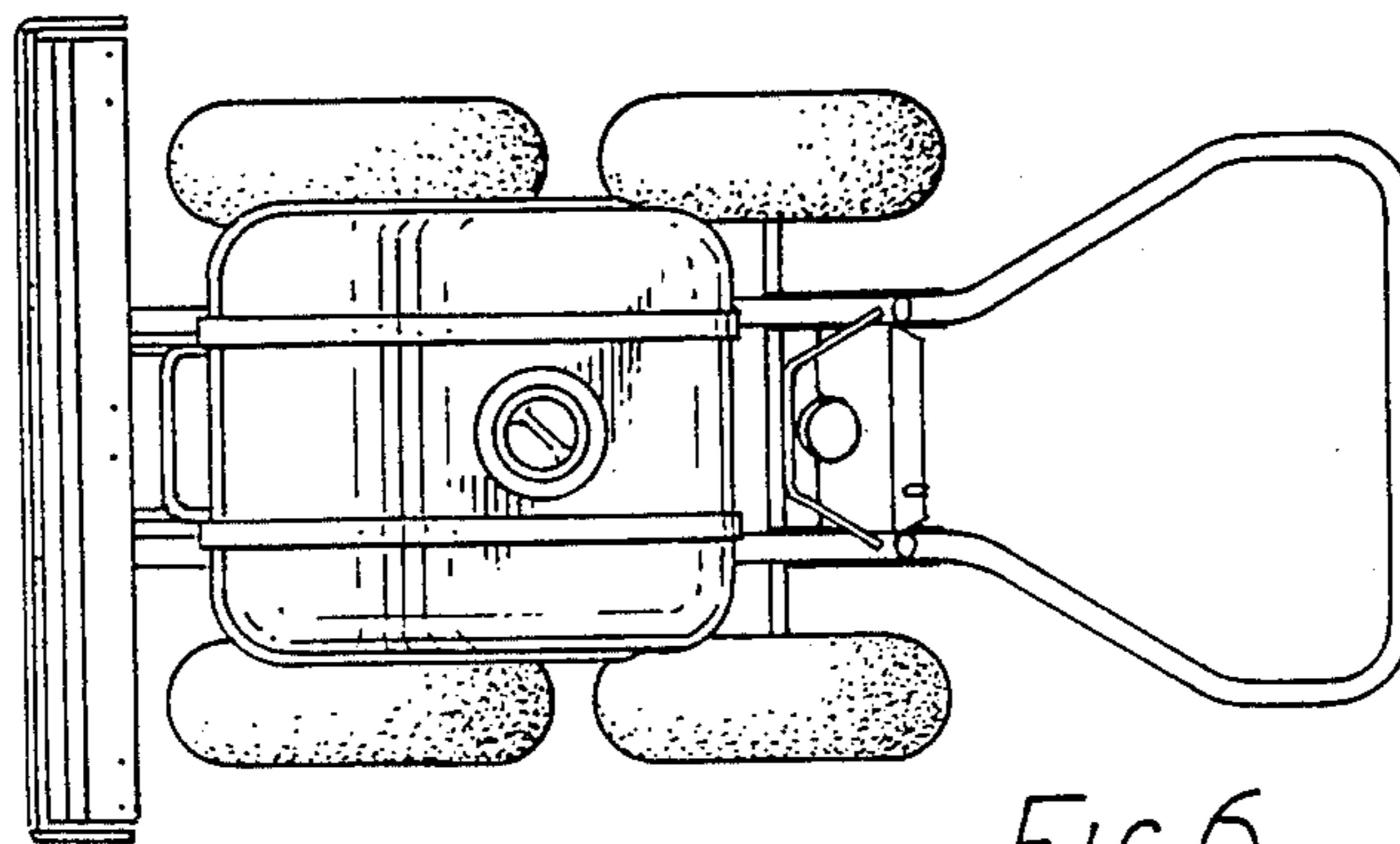


FIG. 6

FIG. 7

