

[54] BASE STATION

[76] Inventor: Benjamin F. Marcune, 1231 School La., Rydal, Pa. 19046

[\*\*] Term: 14 Years

[21] Appl. No.: 16,164

[22] Filed: Feb. 18, 1987 (Under 37 CFR 1.47)

[52] U.S. Cl. .... D14/159; D14/124

[58] Field of Search ..... D14/124, 137, 156-172, D14/188-198, 217, 257, 258, 260, 265, 299; 455/89-90, 344-346, 350, 351; D10/104, 106, 121

[56] References Cited

U.S. PATENT DOCUMENTS

D. 199,677 12/1964 Mattingly ..... D14/159

D. 255,032 5/1980 Maddock ..... D14/159  
D. 284,280 6/1986 Mack ..... D14/124  
D. 284,854 7/1986 Vaillant ..... D14/159 X  
D. 284,963 8/1986 Imazeki ..... D14/198  
D. 301,235 5/1989 Nagele ..... D14/137

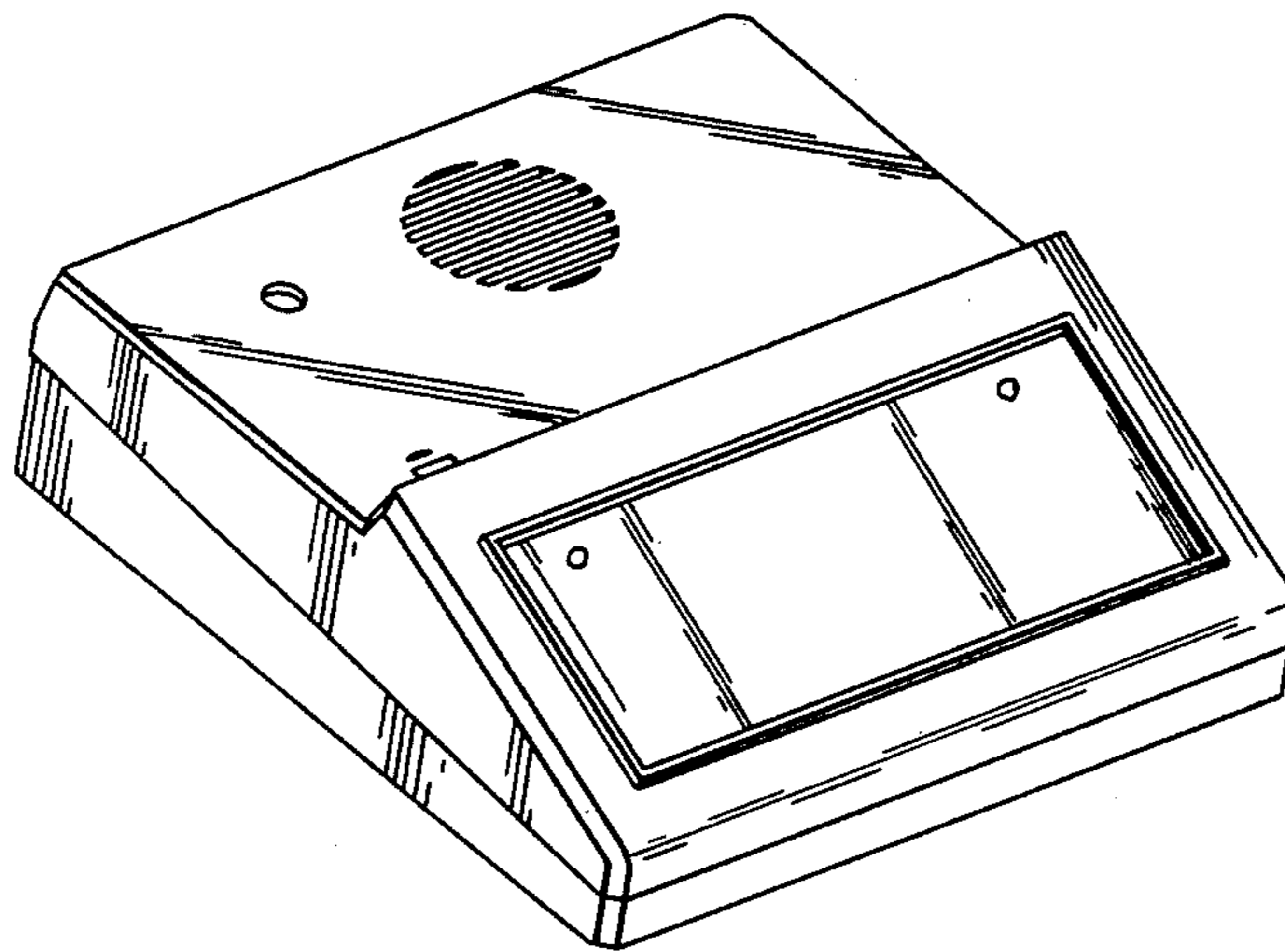
Primary Examiner—Theodore M. Shooman  
Attorney, Agent, or Firm—Caesar, Rivise, Bernstein, Cohen & Pokotilow, Ltd.

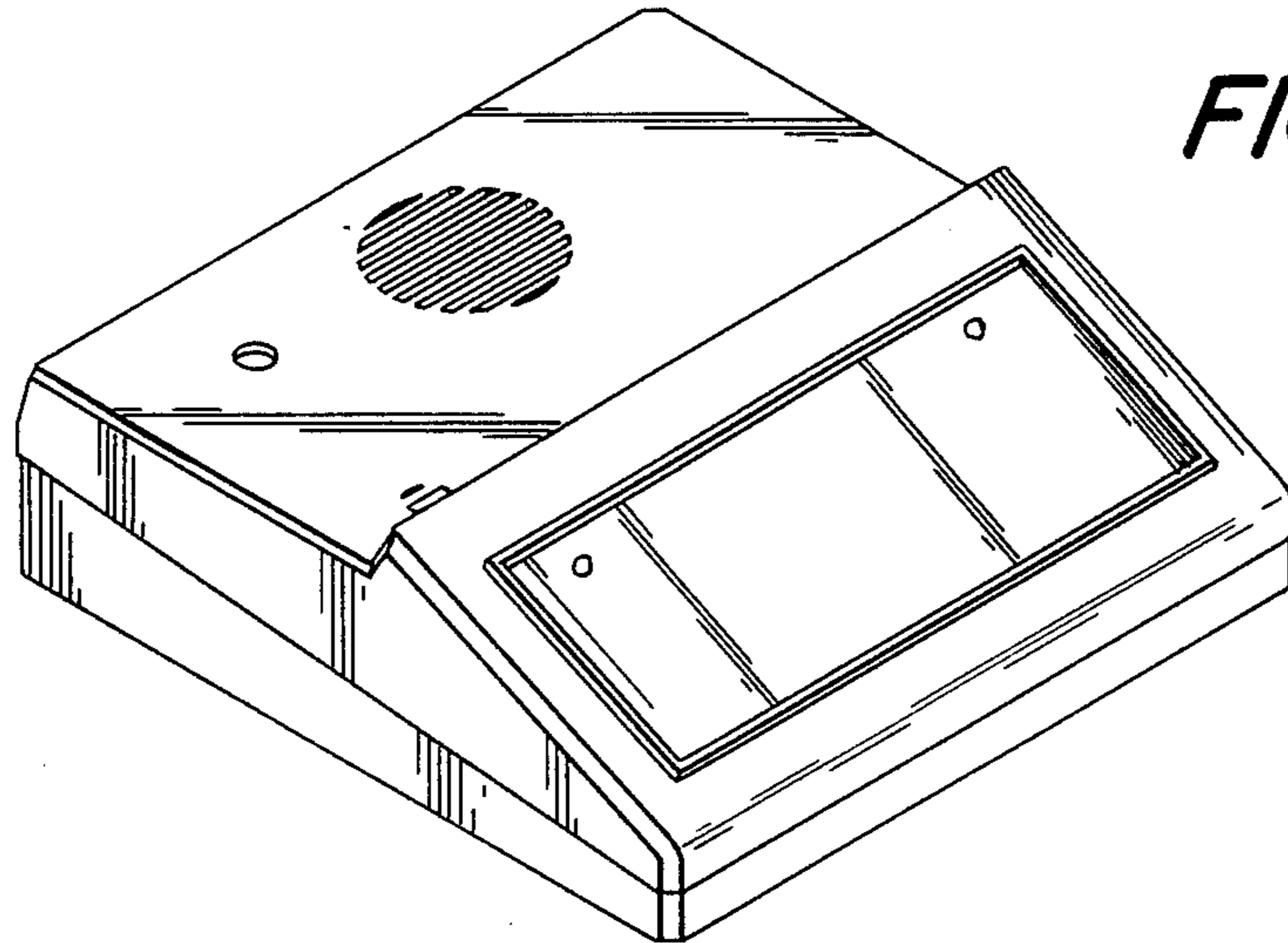
[57] CLAIM

The ornamental design for a base station, as shown.

DESCRIPTION

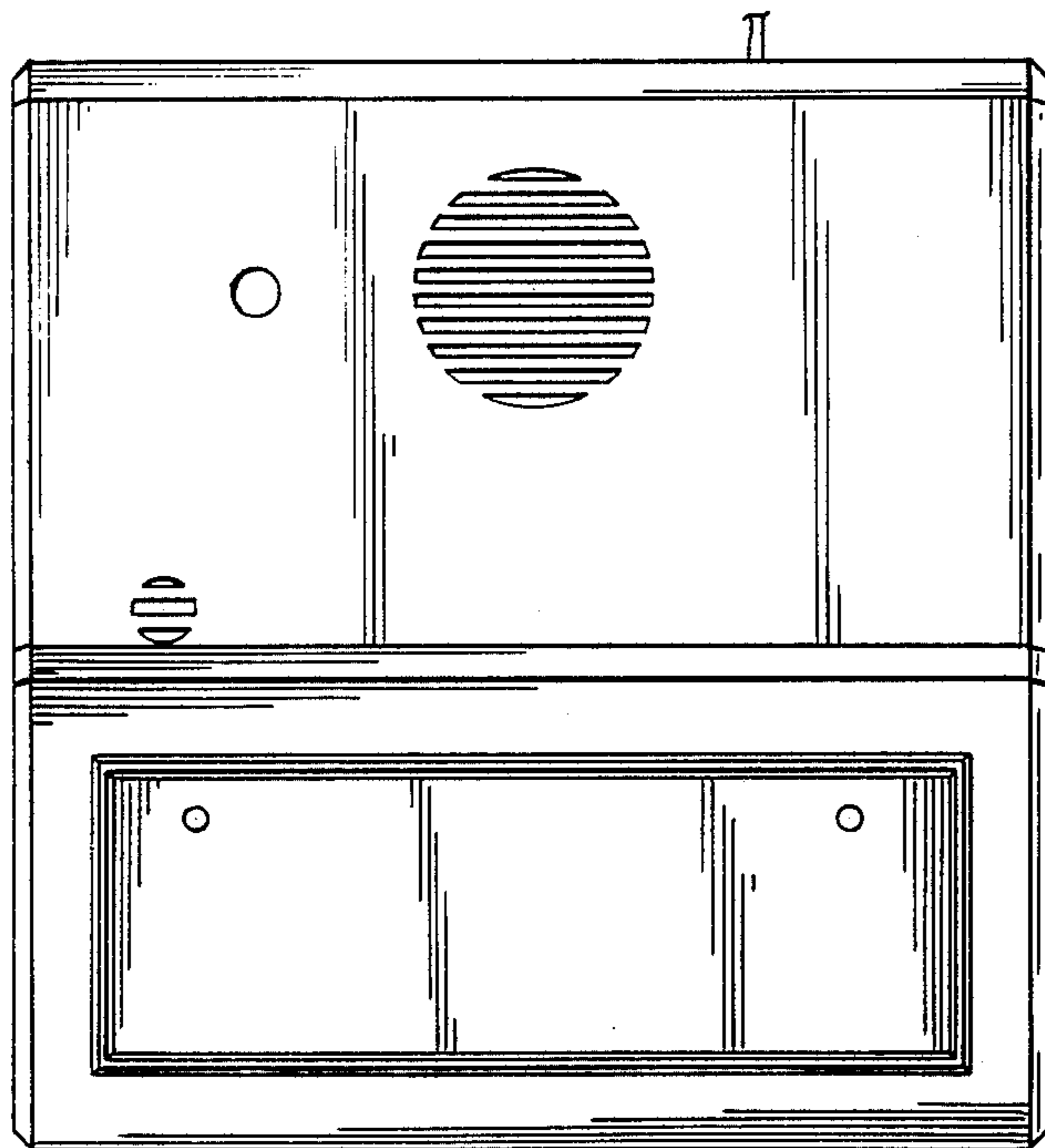
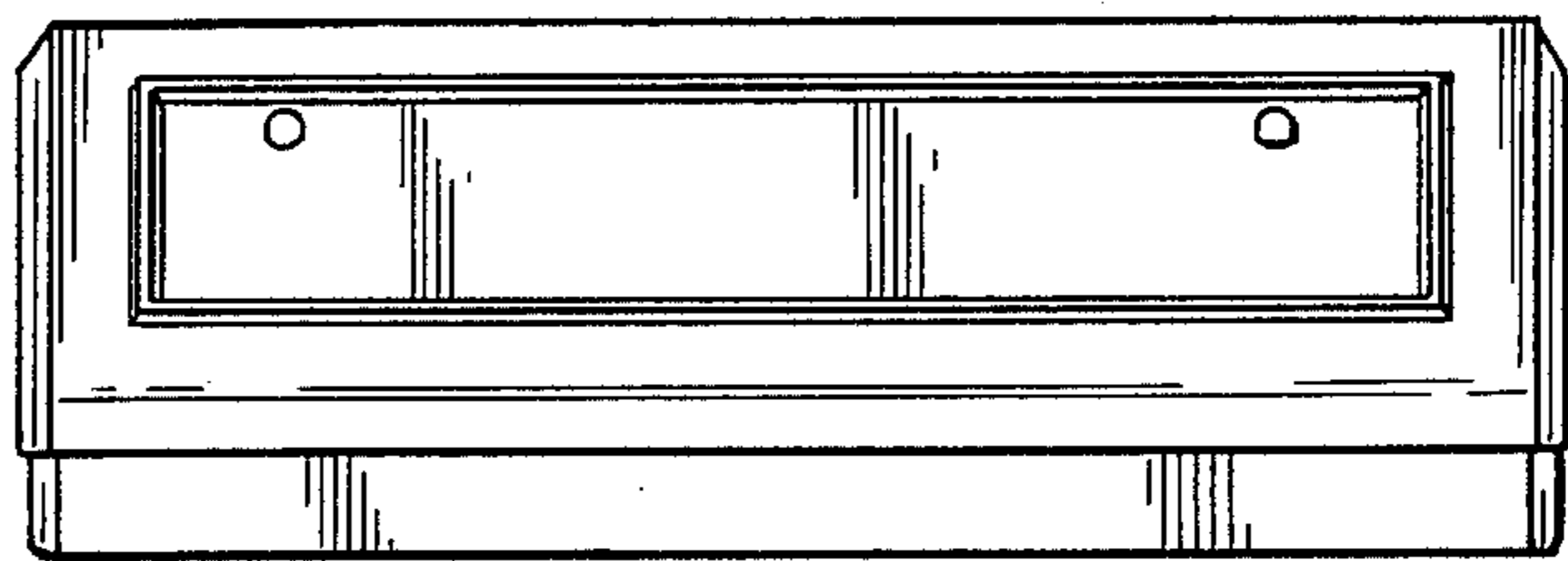
FIG. 1 is a top, front and left side perspective view of a base station showing my new design;  
FIG. 2 is a front elevational view thereof;  
FIG. 3 is a top plan view thereof;  
FIG. 4 is a right side elevational view thereof;  
FIG. 5 is a rear elevational view thereof; and  
FIG. 6 is a bottom plan view thereof.





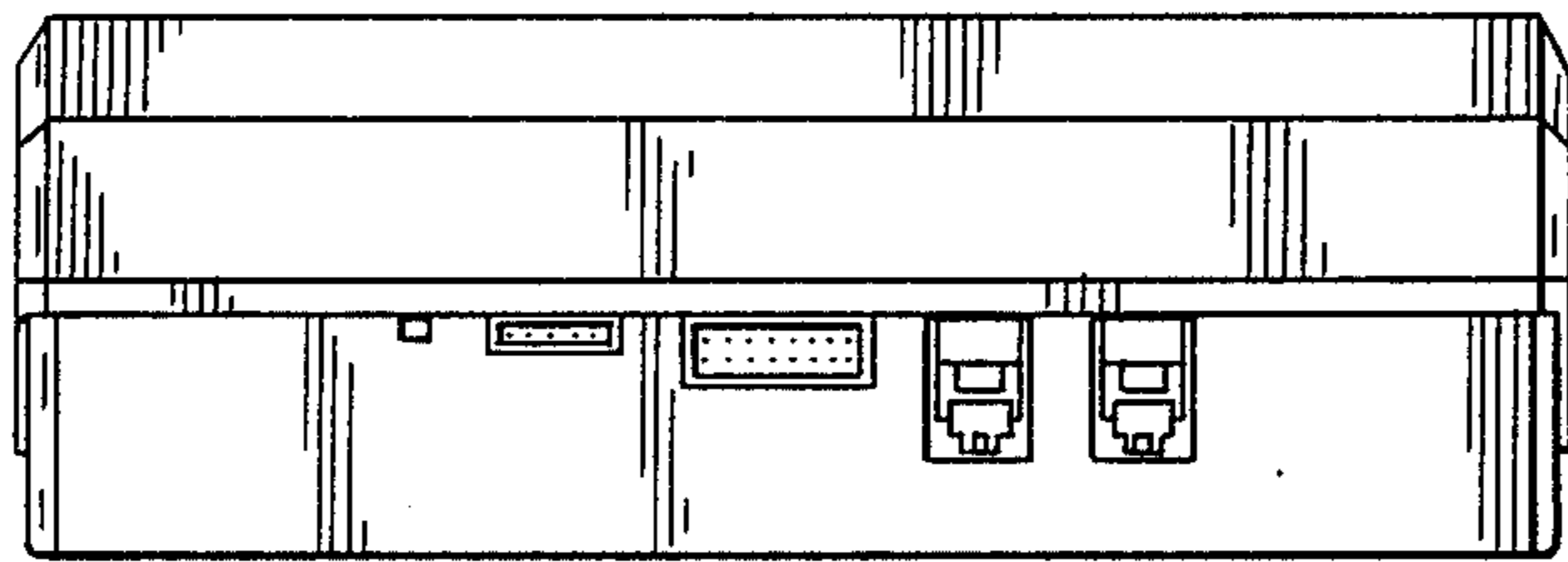
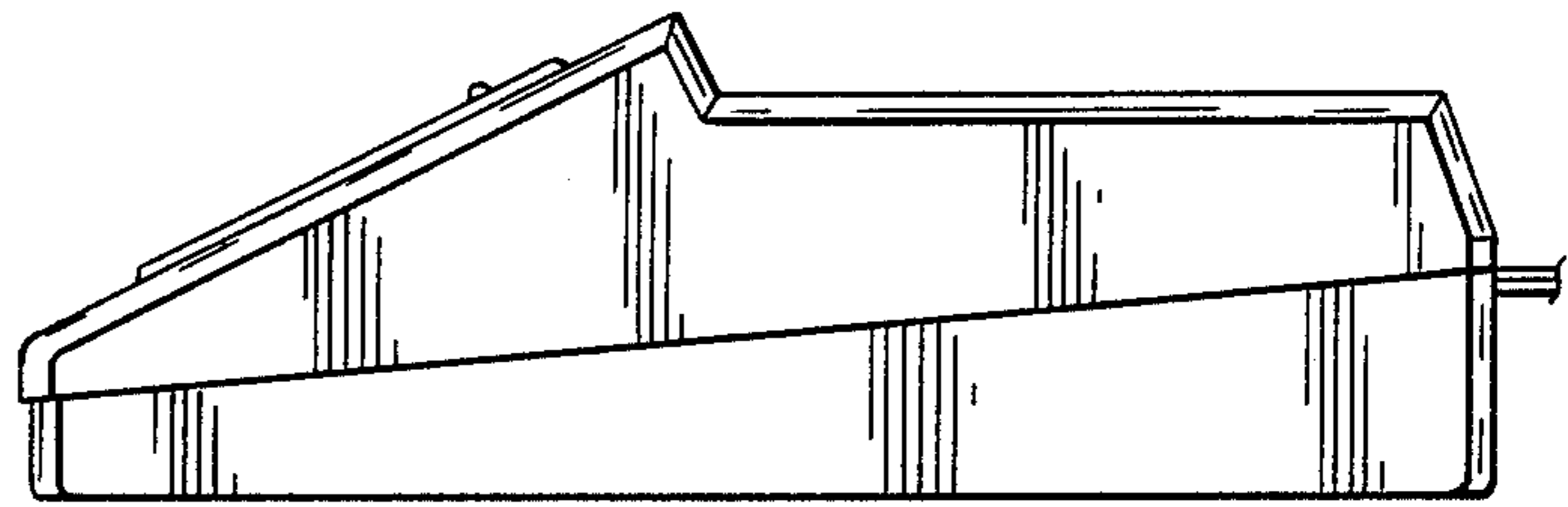
*FIG. 1*

*FIG. 2*



*FIG. 3*

*FIG. 4*



*FIG. 5*

*FIG. 6*

