

[54] TELEPHONE

[75] Inventor: Lau P. Shun, Kennedy Town, Hong Kong

[73] Assignee: Galant Electronic Products Ltd., New Territories, Hong Kong

[**] Term: 14 Years

[21] Appl. No.: 368,429

[22] Filed: Jun. 19, 1989

[30] Foreign Application Priority Data

Dec. 20, 1988 [GB] United Kingdom 1055821

[52] U.S. Cl. D14/150; D14/247; D14/242

[58] Field of Search D14/149, 150; 379/436, 379/440, 435, 428, 419, 420

[56] References Cited

U.S. PATENT DOCUMENTS

D. 262,879	2/1982	Marshall	D14/150
D. 284,655	7/1986	Marshall	D14/149
D. 289,643	5/1987	Genaro et al.	D14/149
D. 291,307	8/1987	Day, Jr. et al.	D14/150
D. 297,637	9/1988	Fai et al.	D14/150
D. 300,217	3/1989	Lino	D14/150
D. 300,430	3/1989	Moss	D14/150

OTHER PUBLICATIONS

Spiegel Catalog, at p. 488; Item B, Signature II from Teleconcepts.

Spiegel Catalog, at p. 464: Items A & B; Panasonic and Sharp Phones, top of page.

Evans Catalog 1987-88; at p. 292, Items 8, 9, 7, 6: 7-8-9 are Unisonic & No. 6 is Pactel.

Primary Examiner—Horace B. Fay, Jr.

Attorney, Agent, or Firm—Majestic, Parsons, Siebert & Hsue

CLAIM

[57] The ornamental design for a telephone, as shown and described.

DESCRIPTION

FIG. 1 is a top, front and left side perspective view of a telephone showing my new design;

FIG. 2 is a top, rear and right side perspective view thereof;

FIG. 3 is a top plan view thereof;

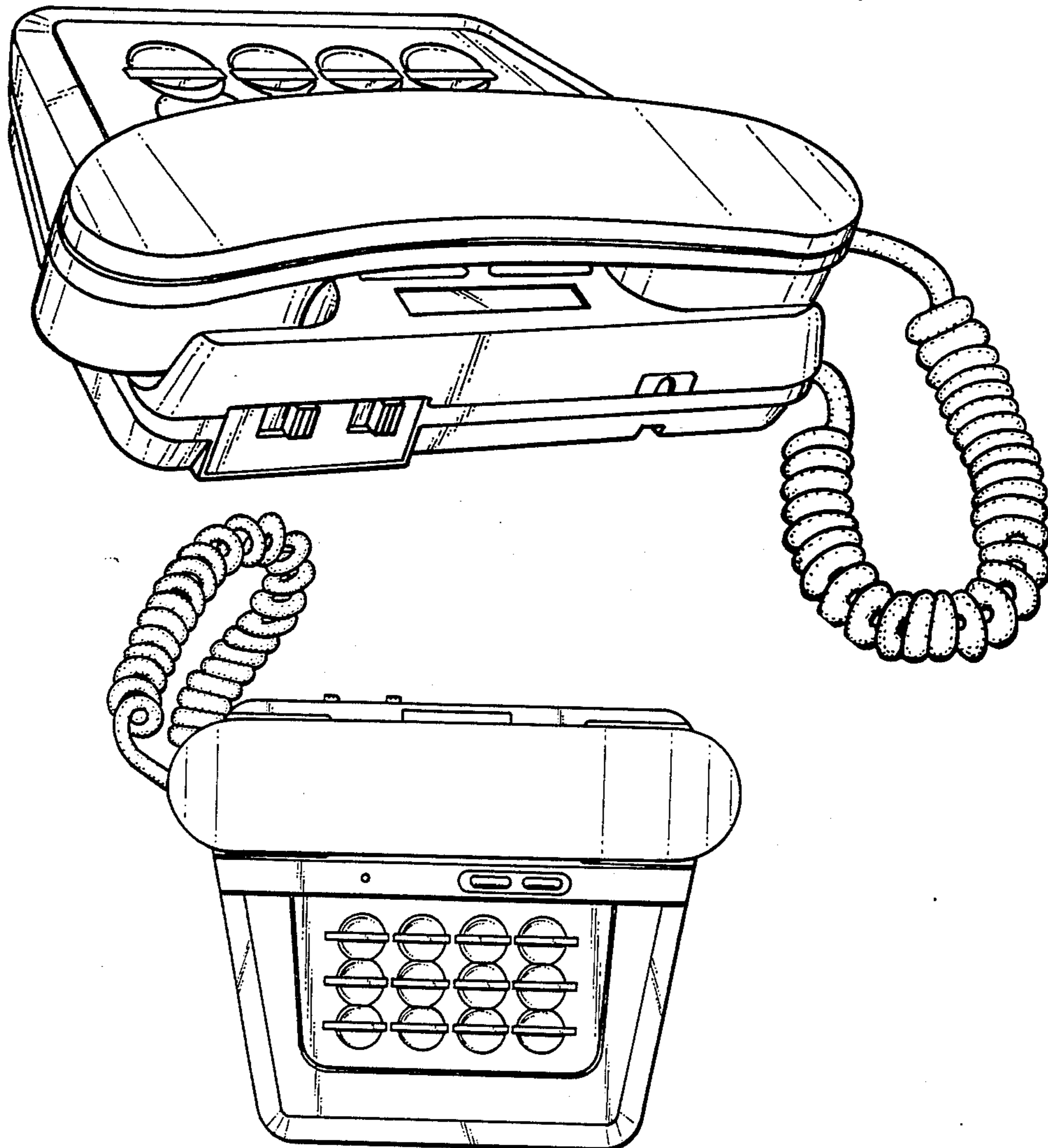
FIG. 4 is a front elevational view thereof;

FIG. 5 is a bottom plan view thereof;

FIG. 6 is a rear elevational view thereof;

FIG. 7 is a left side elevational view thereof; and

FIG. 8 is a right side elevational view thereof.



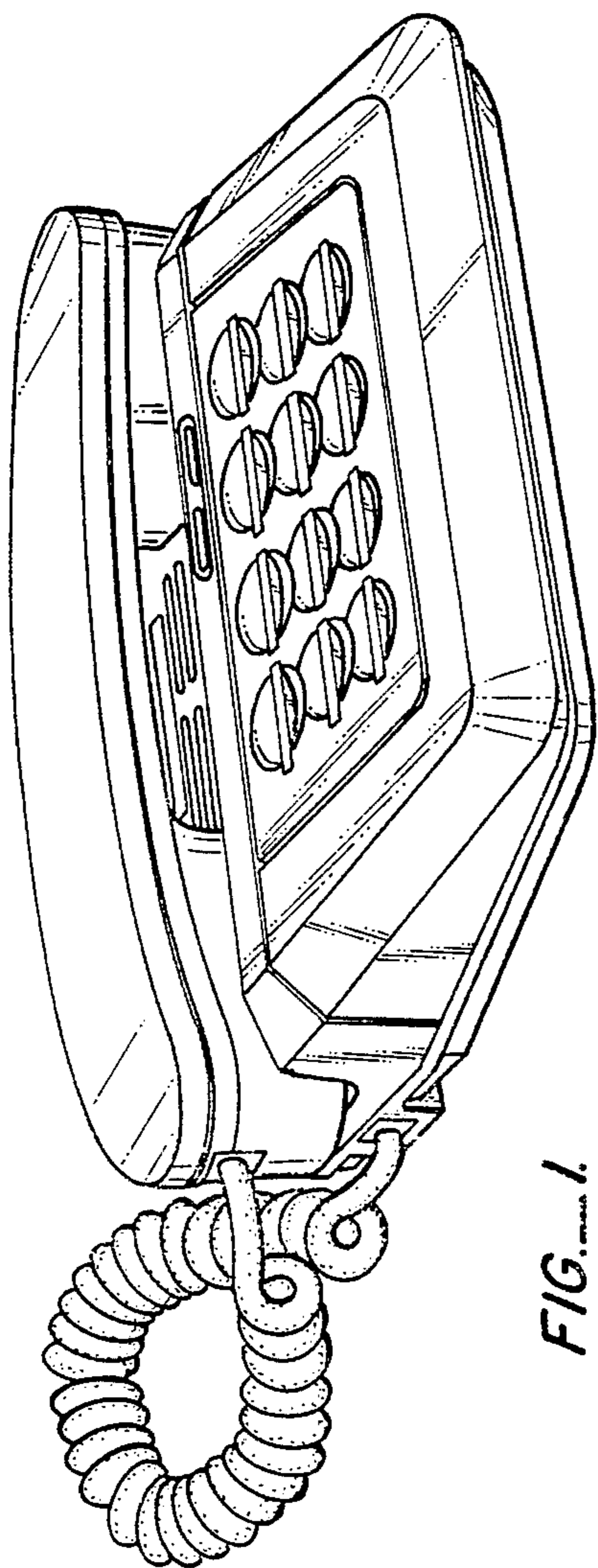


FIG. 1.

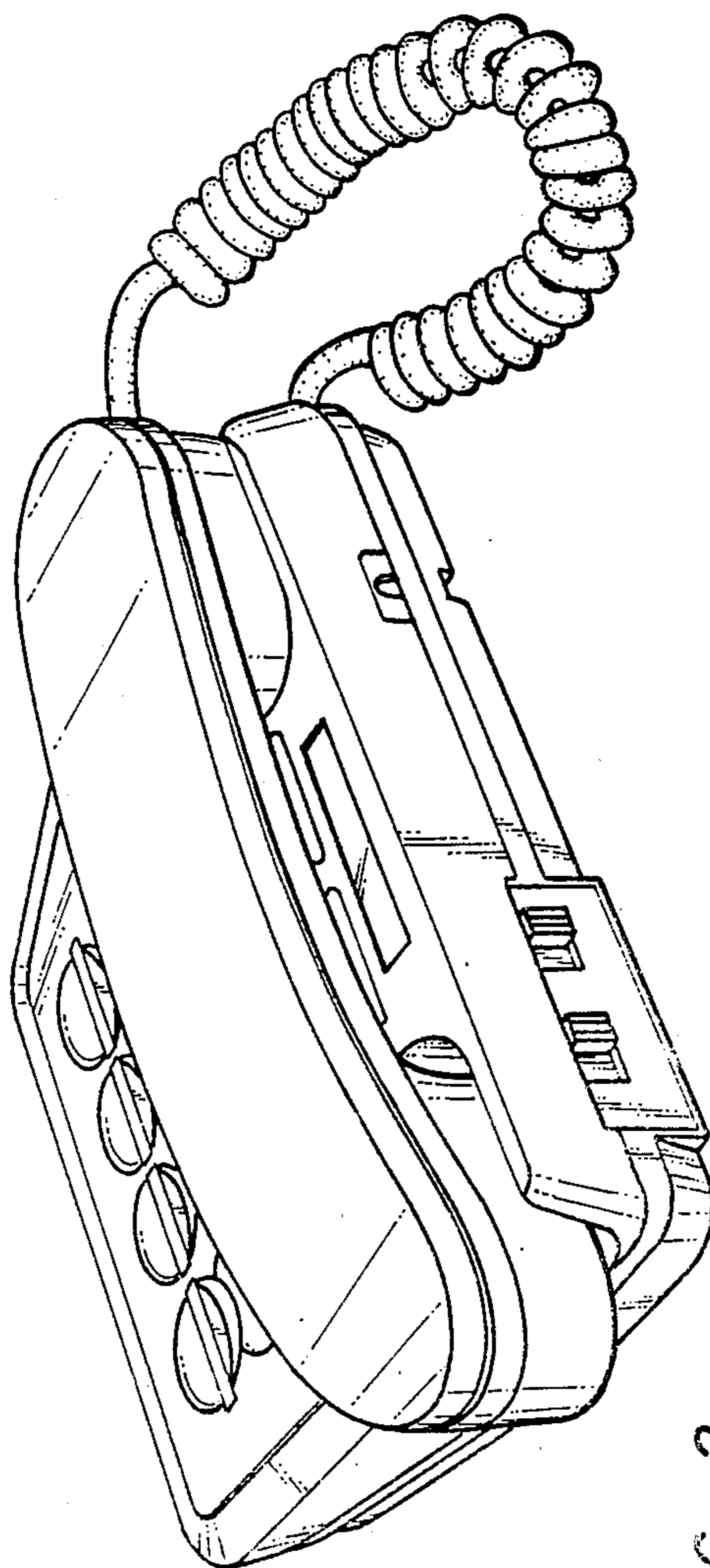


FIG. 2.

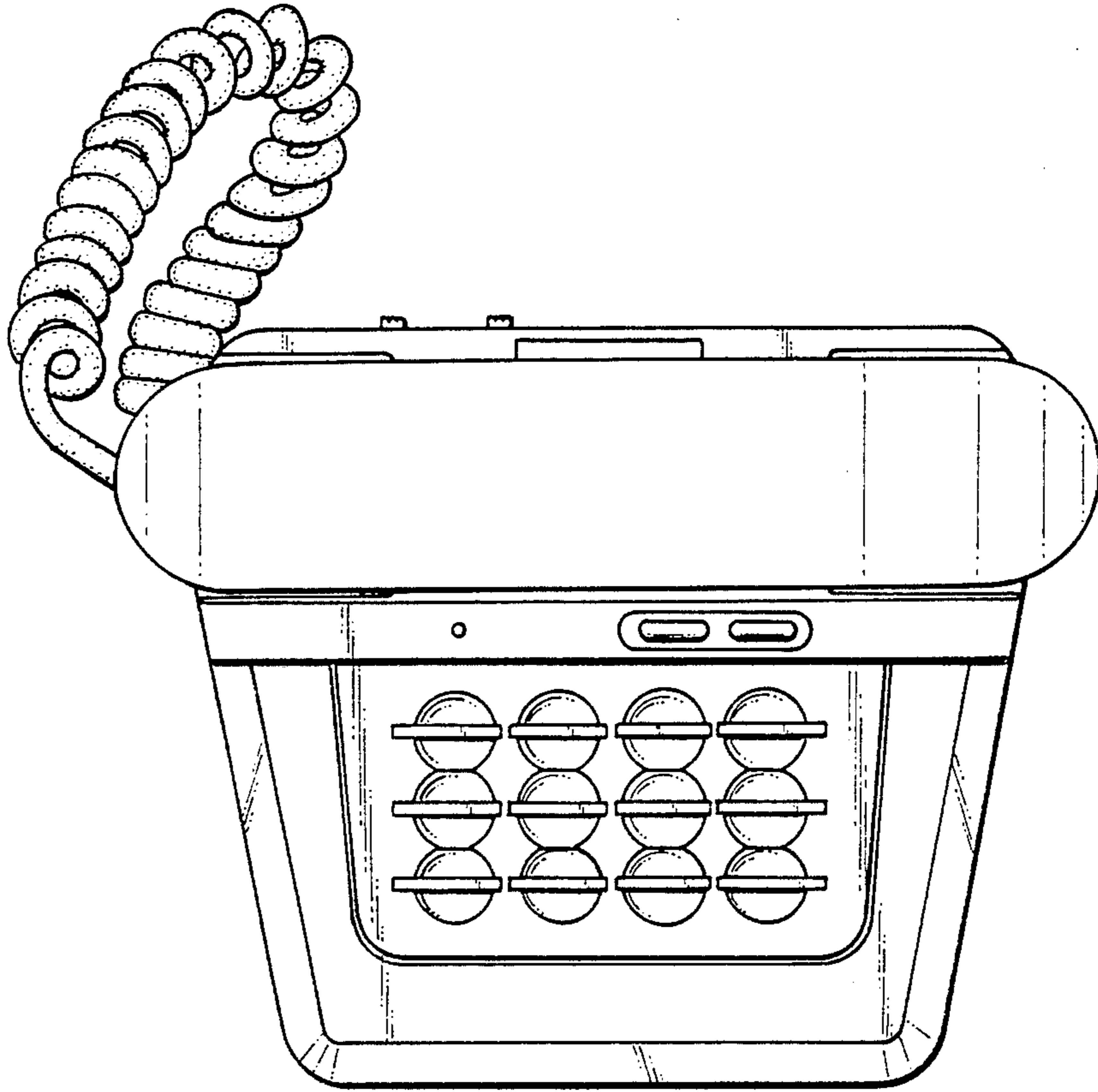


FIG. 3.

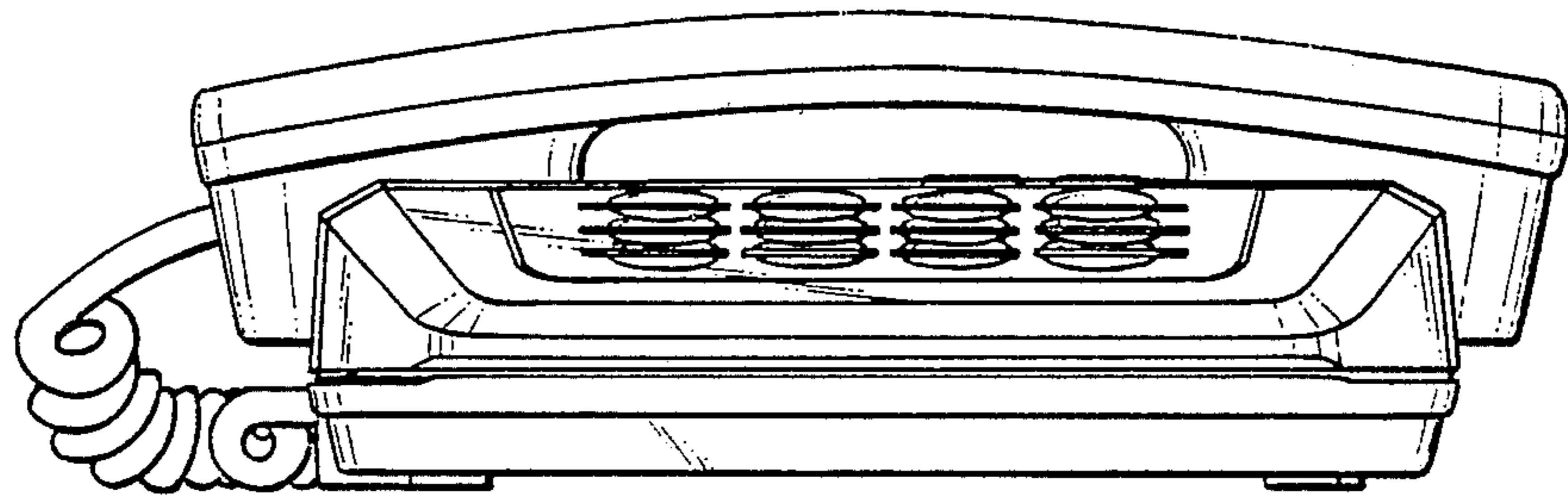


FIG. 4.

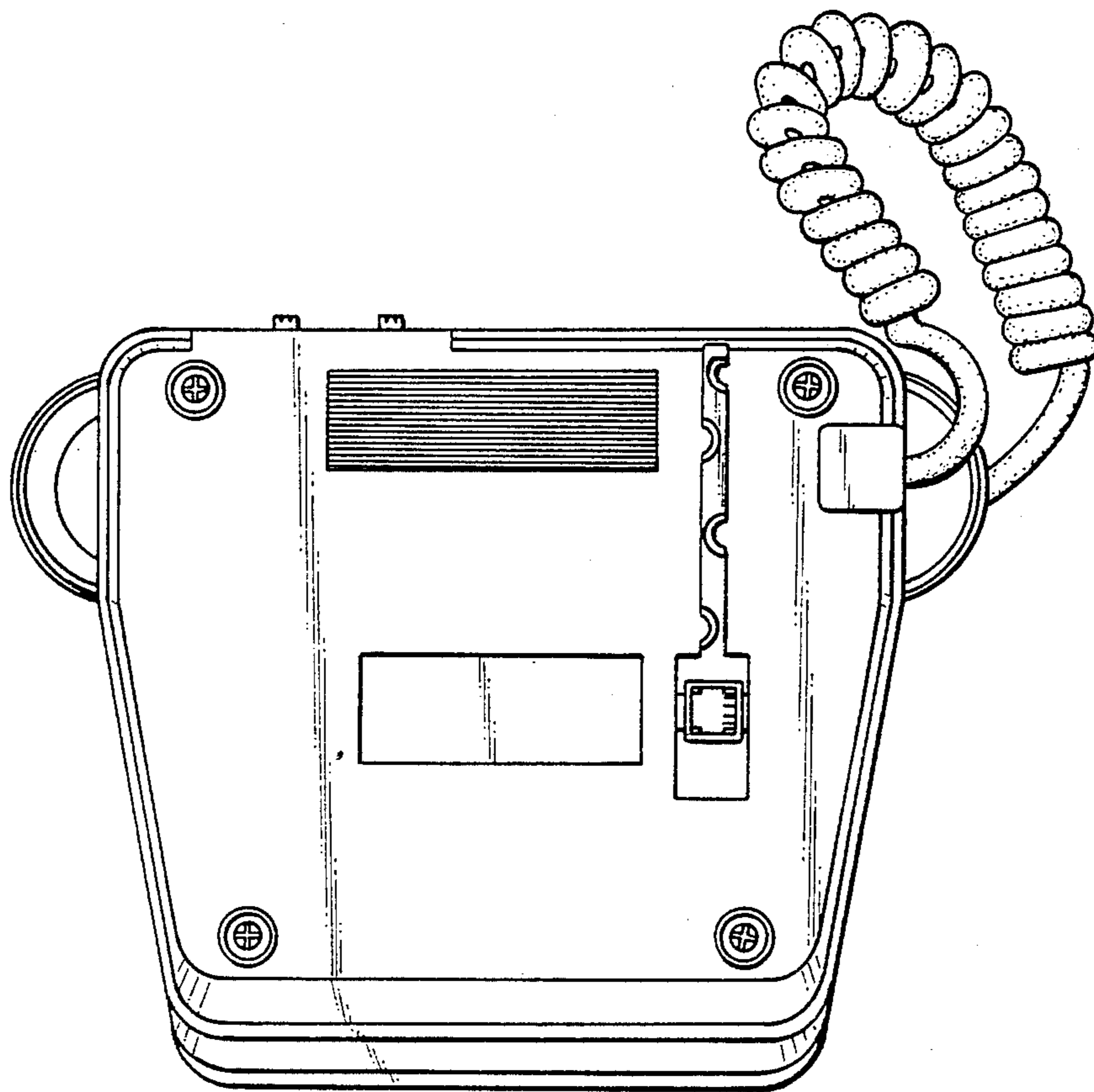


FIG. 5.

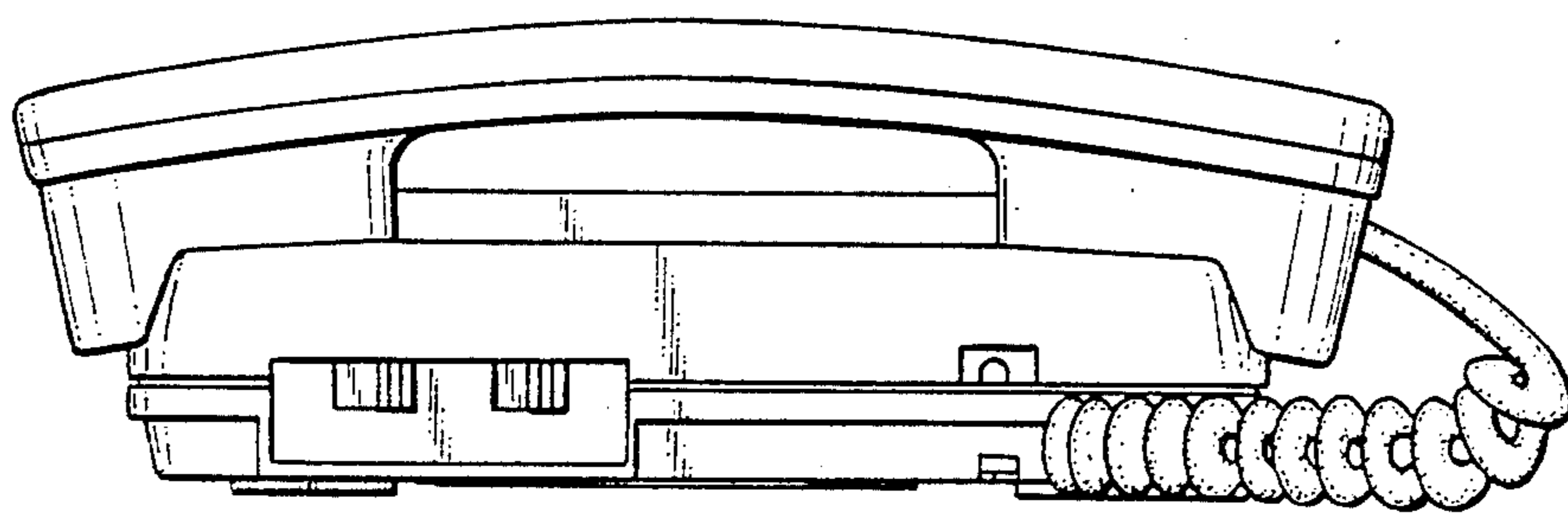


FIG. 6.

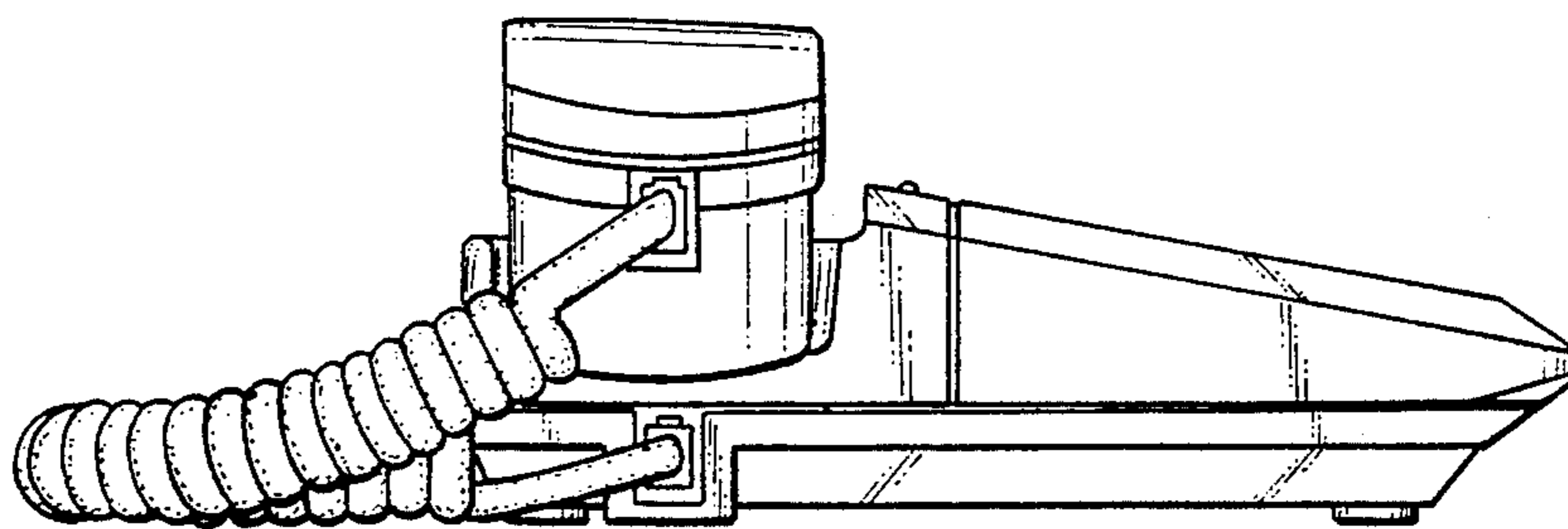


FIG. 7.

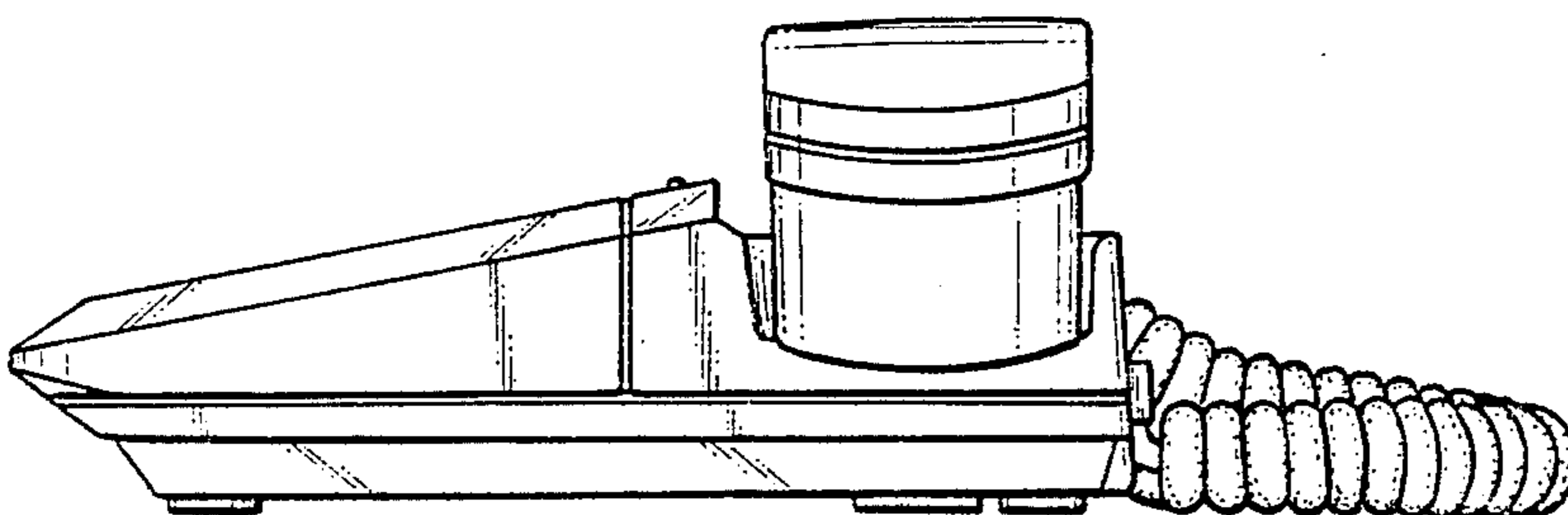


FIG. 8.