

[54] PROGRAMMABLE CONTROLLER

[75] Inventors: Yoshinori Abe, Kanagawa; Muneaki Inoue; Kazuhiro Hata, both of Hyogo, all of Japan

[73] Assignee: Mitsubishi Denki Kabushiki Kaisha, Tokyo, Japan

[\*\*] Term: 14 Years

[21] Appl. No.: 139,058

[22] Filed: Dec. 29, 1987

[30] Foreign Application Priority Data

Sep. 10, 1987 [JP] Japan ..... 62-37297

[52] U.S. Cl. .... D13/164

[58] Field of Search ..... D13/12, 35, 40, 41, D13/99; D14/100, 101, 114; 361/331-334, 346, 390-394; 364/141, 146, 147, 188, 190-193; 901/3, 4, 5

[56] References Cited

U.S. PATENT DOCUMENTS

- D. 281,493 11/1985 Prager et al. .... D13/40
- D. 287,117 12/1986 Saiki et al. .... D13/12
- D. 290,694 7/1987 Shimizu et al. .... D13/12

- D. 291,317 8/1987 Sharp ..... D14/114
- D. 298,747 11/1988 Shibayama et al. .... D13/12
- 4,658,375 4/1987 Onogi et al. .... 361/393

OTHER PUBLICATIONS

Mitsubishi 1-Board Sequencers (advertising brochure). Mitsubishi Programmable Controllers (advertising brochure); MELSEC F1.

Primary Examiner—Susan J. Lucas  
Assistant Examiner—Joel Sincavage  
Attorney, Agent, or Firm—Bernard, Rothwell & Brown

[57] CLAIM

The ornamental design for a programmable controller, as shown and described.

DESCRIPTION

FIG. 1 is a front elevational view of a programmable controller showing our new design; FIG. 2 is a rear elevational view of that shown in FIG. 1; FIG. 3 is a left side elevational view thereof; FIG. 4 is a right side elevational view thereof; FIG. 5 is a top plan view thereof; FIG. 6 is a bottom plan view thereof; and; FIG. 7 is a front, top and left side perspective view thereof.

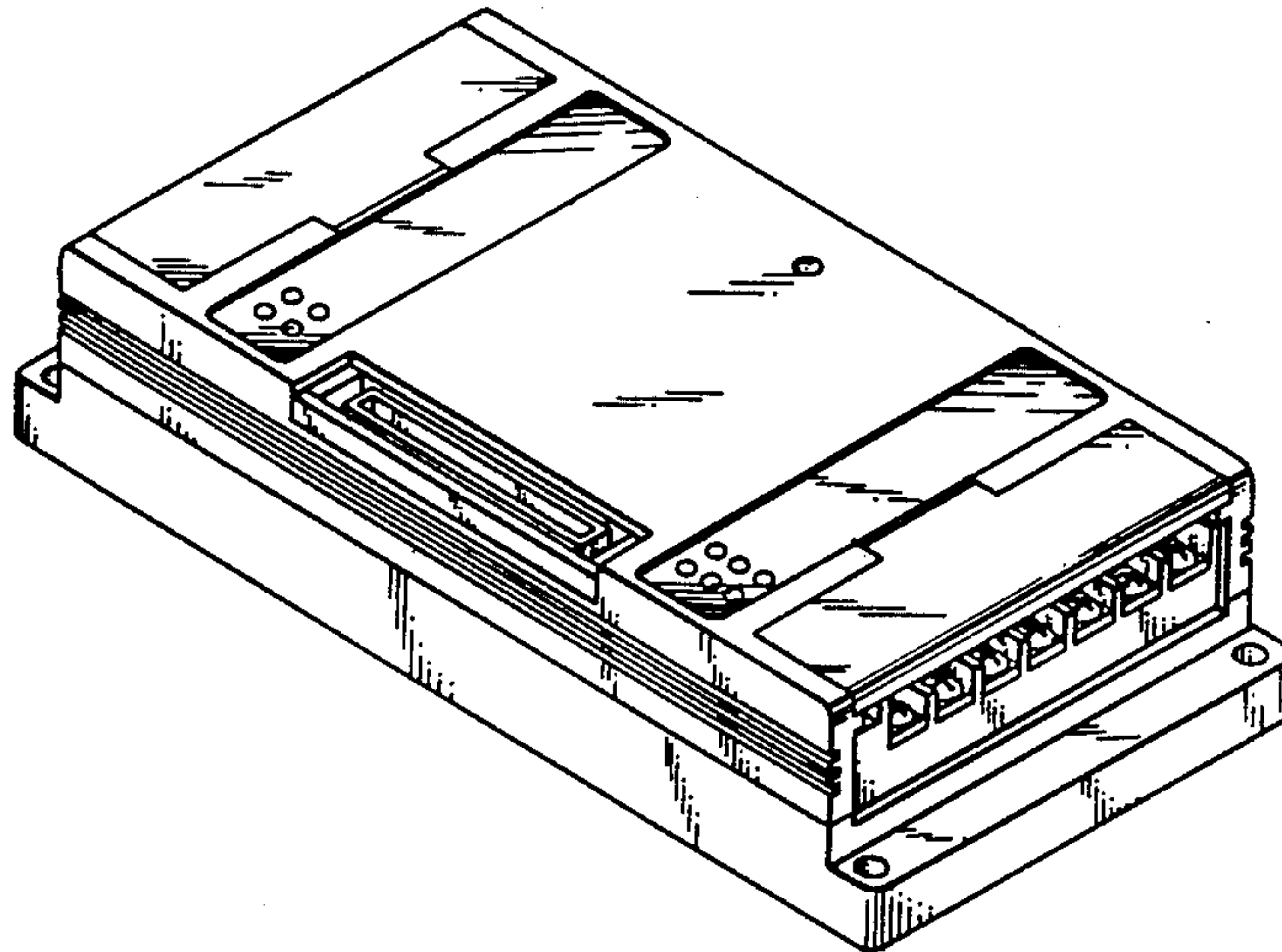


FIG. 2

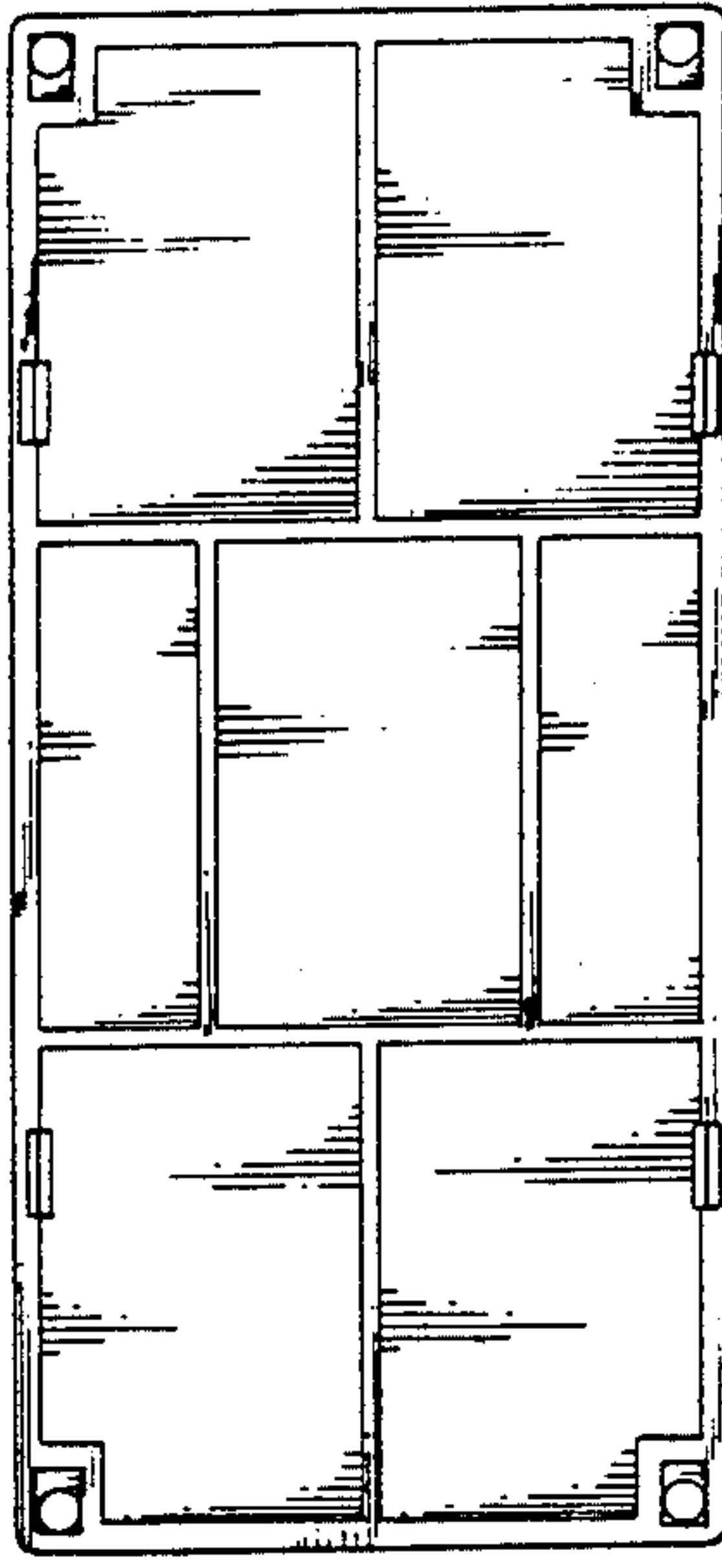


FIG. 1

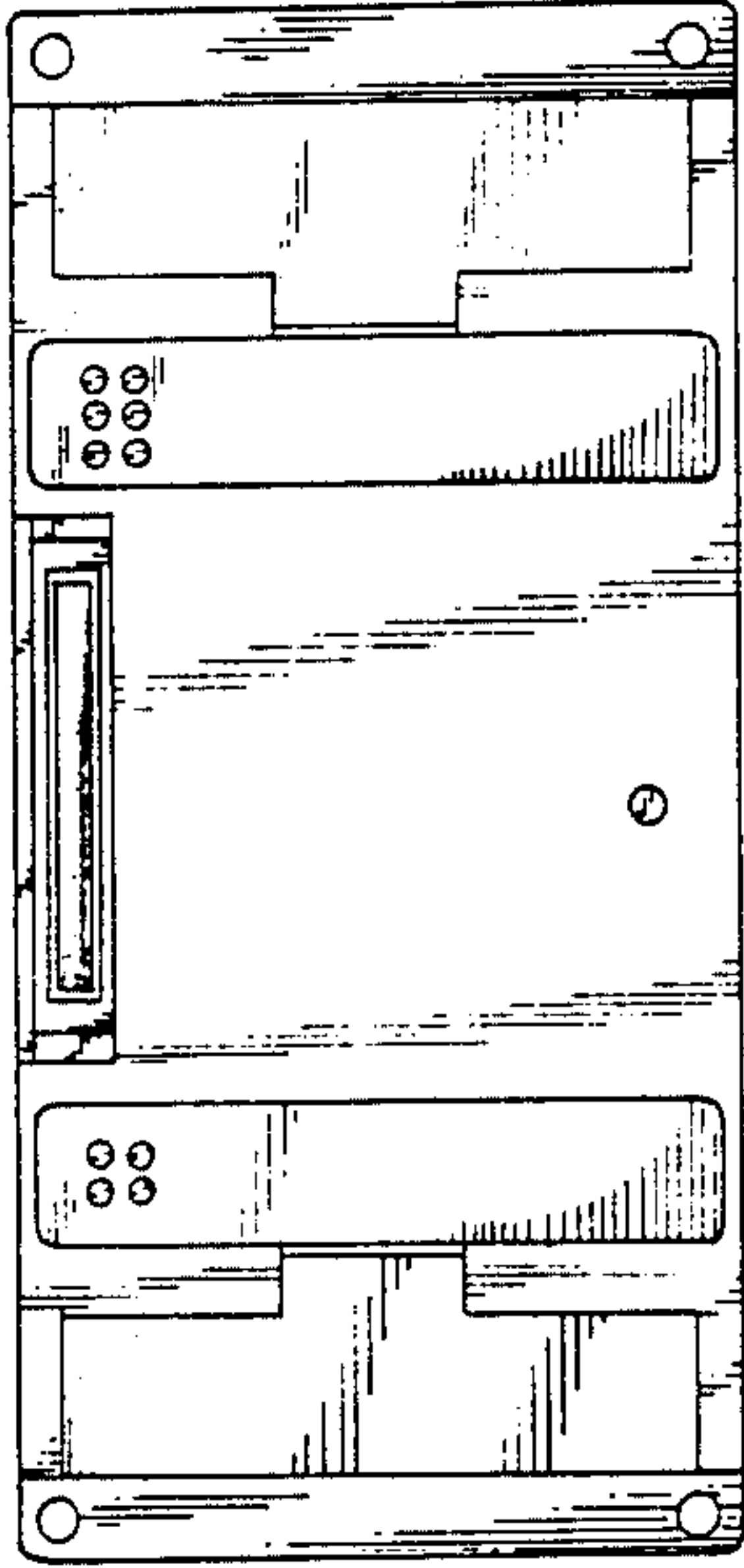


FIG. 5



FIG. 6



FIG. 4

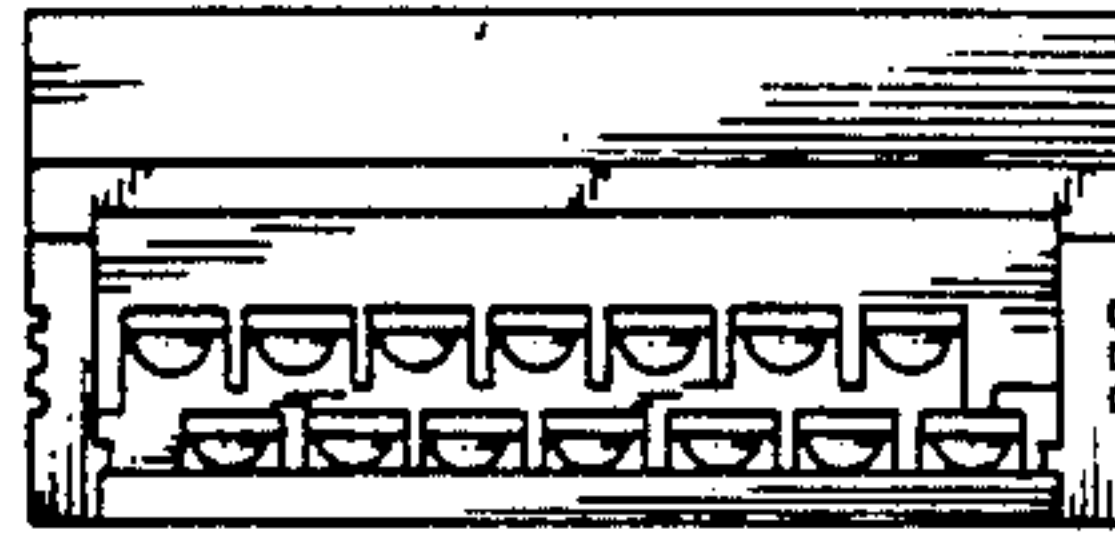


FIG. 3

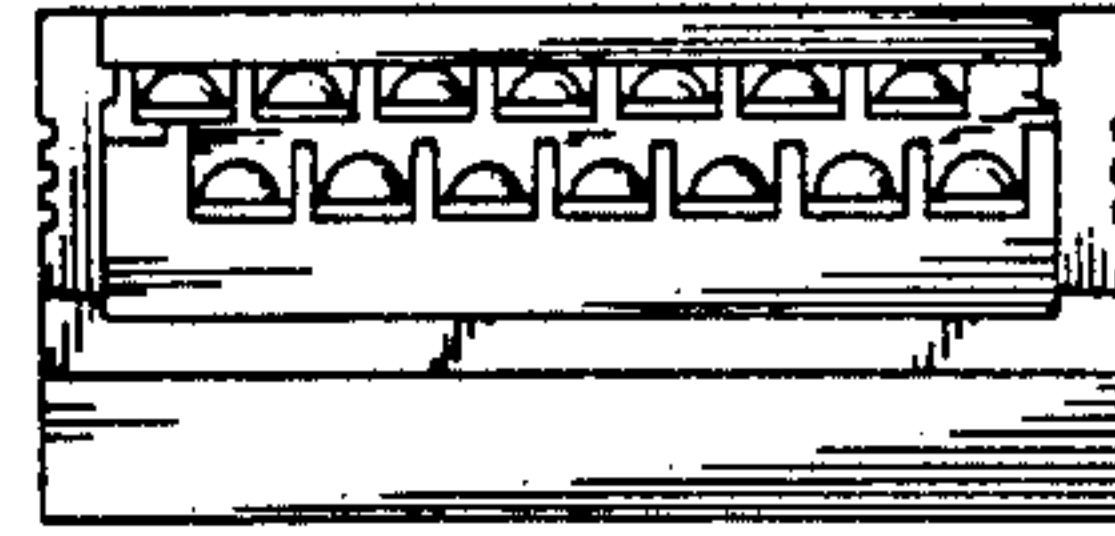


FIG. 7

