

[54] FRONT FENDER MOUNTED AUTOMOBILE REAR VIEW MIRROR

[76] Inventor: Arthur P. Swanson, 1454 Estate La., Glenview, Ill. 60025

[\*\*] Term: 14 Years

[21] Appl. No.: 388,914

[22] Filed: Aug. 3, 1989

[52] U.S. Cl. .... D12/187

[58] Field of Search ..... D12/187; 350/600, 604, 350/605, 606, 631, 632

[56] References Cited

U.S. PATENT DOCUMENTS

D. 249,340 9/1978 Braid ..... D12/187  
4,538,851 9/1985 Taylor ..... 350/631

FOREIGN PATENT DOCUMENTS

146654 7/1986 Japan ..... 350/604

Primary Examiner—James M. Gandy  
Attorney, Agent, or Firm—Hill, Van Santen, Steadman & Simpson

[57] CLAIM

The ornamental design for a front fender mounted automobile rear view mirror, as shown and described.

DESCRIPTION

FIG. 1 is a side elevation view of a front fender mounted automobile rear view mirror showing my new design, it being understood that the broken lines are for illustrative purposes only and form no part of the claimed design;

FIG. 2 is an enlarged side elevation view thereof;

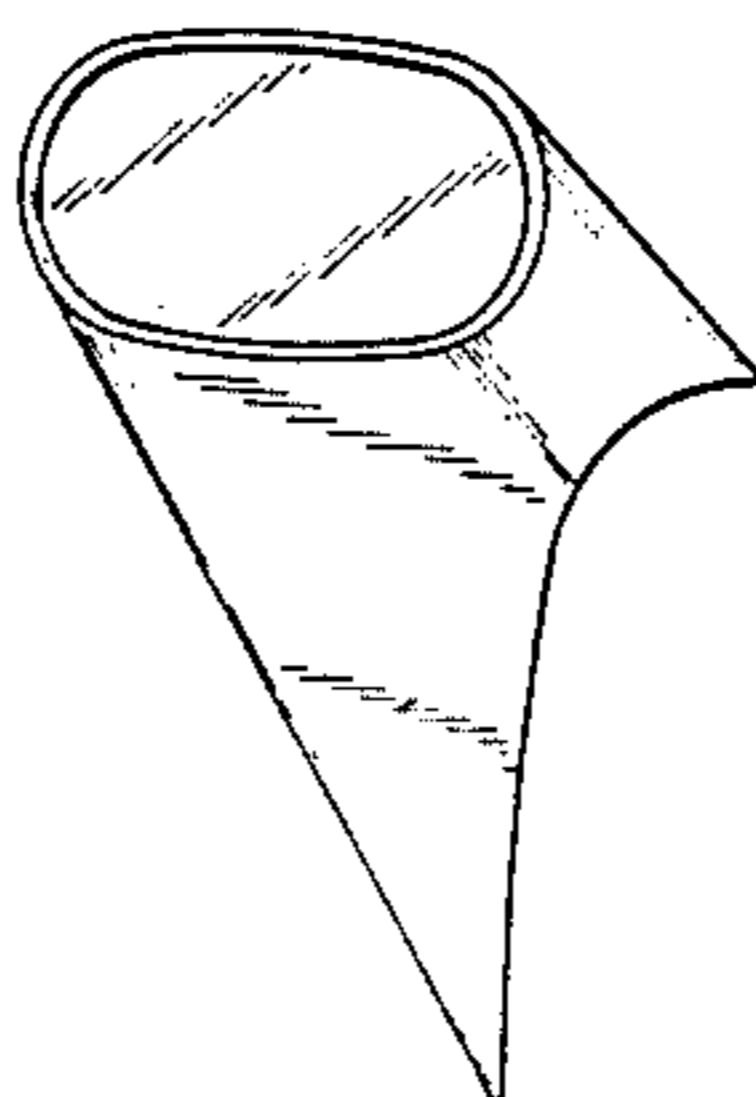
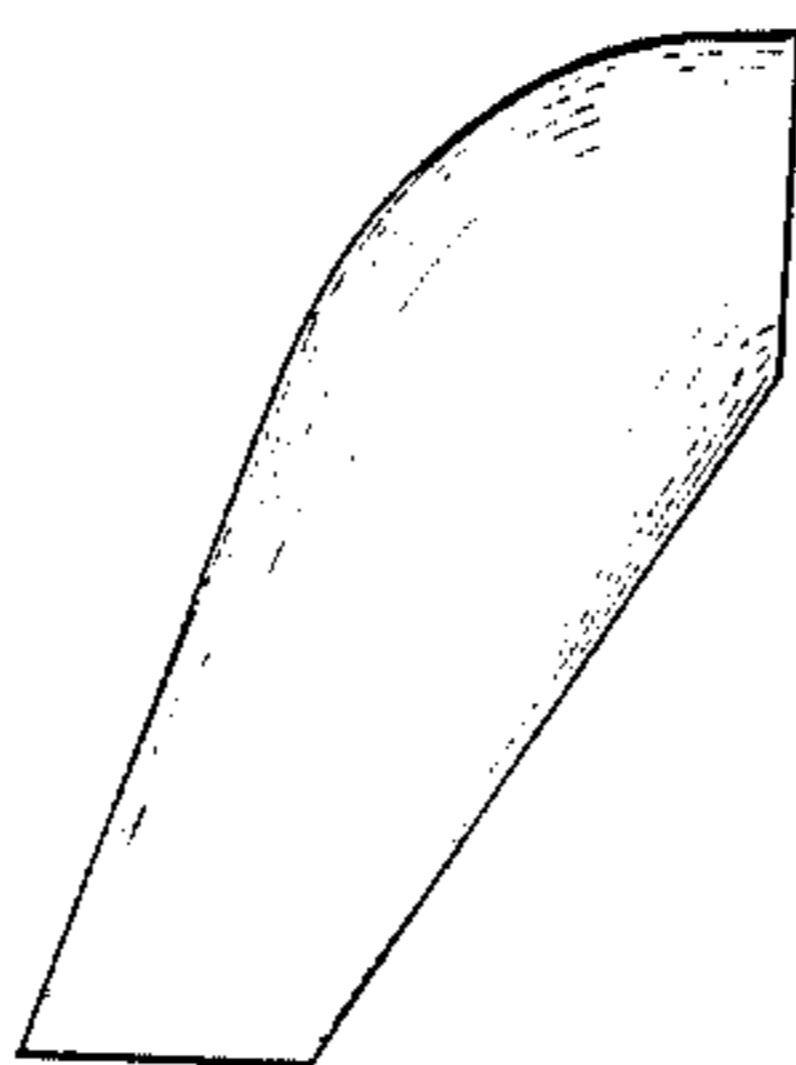
FIG. 3 is an enlarged front elevation view thereof;

FIG. 4 is an enlarged side elevation view thereof opposite to that shown in FIGS. 1 and 2;

FIG. 5 is an enlarged rear elevation view thereof;

FIG. 6 is an enlarged top plan view thereof; and

FIG. 7 is an enlarged bottom plan view thereof.



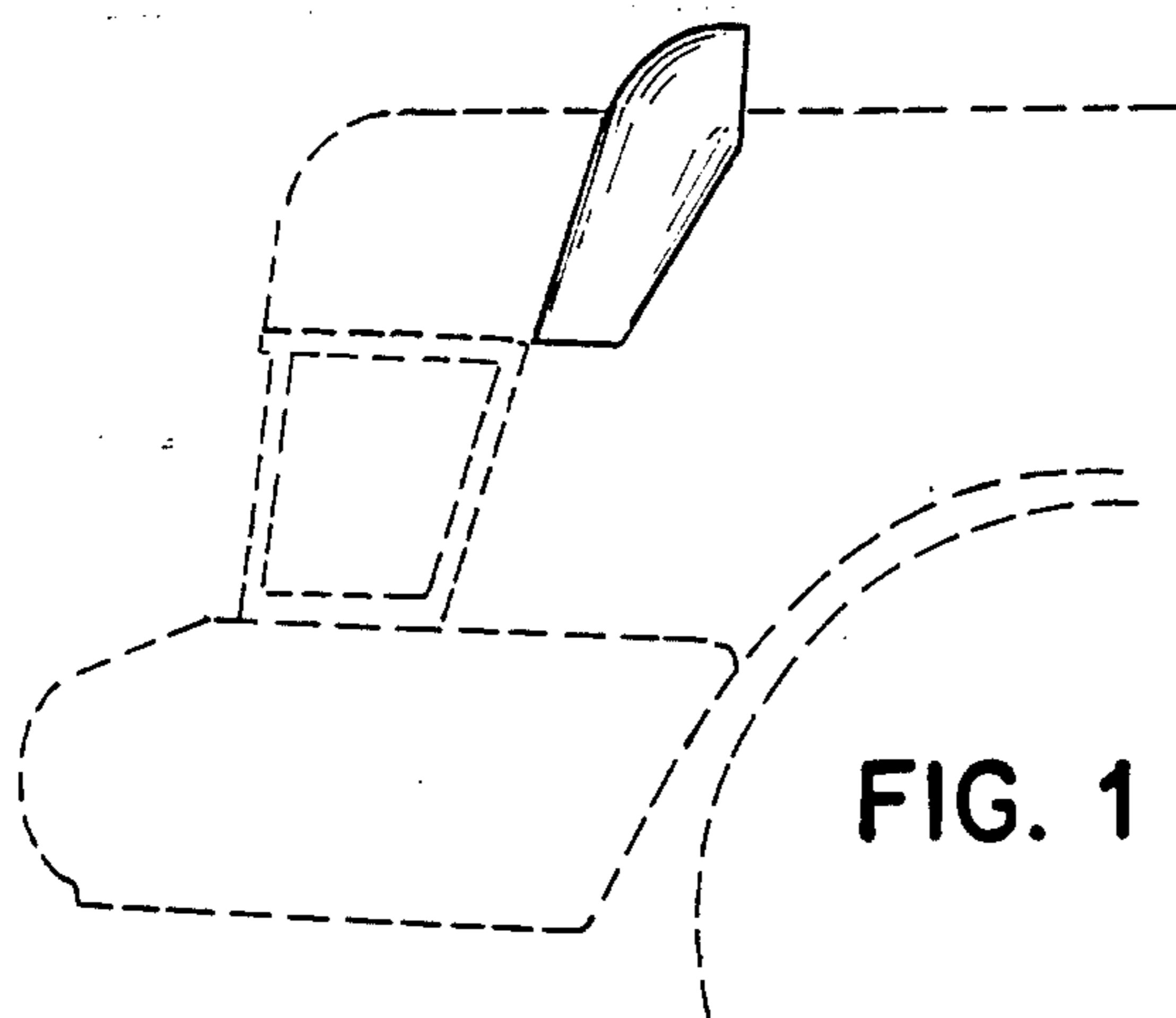


FIG. 1

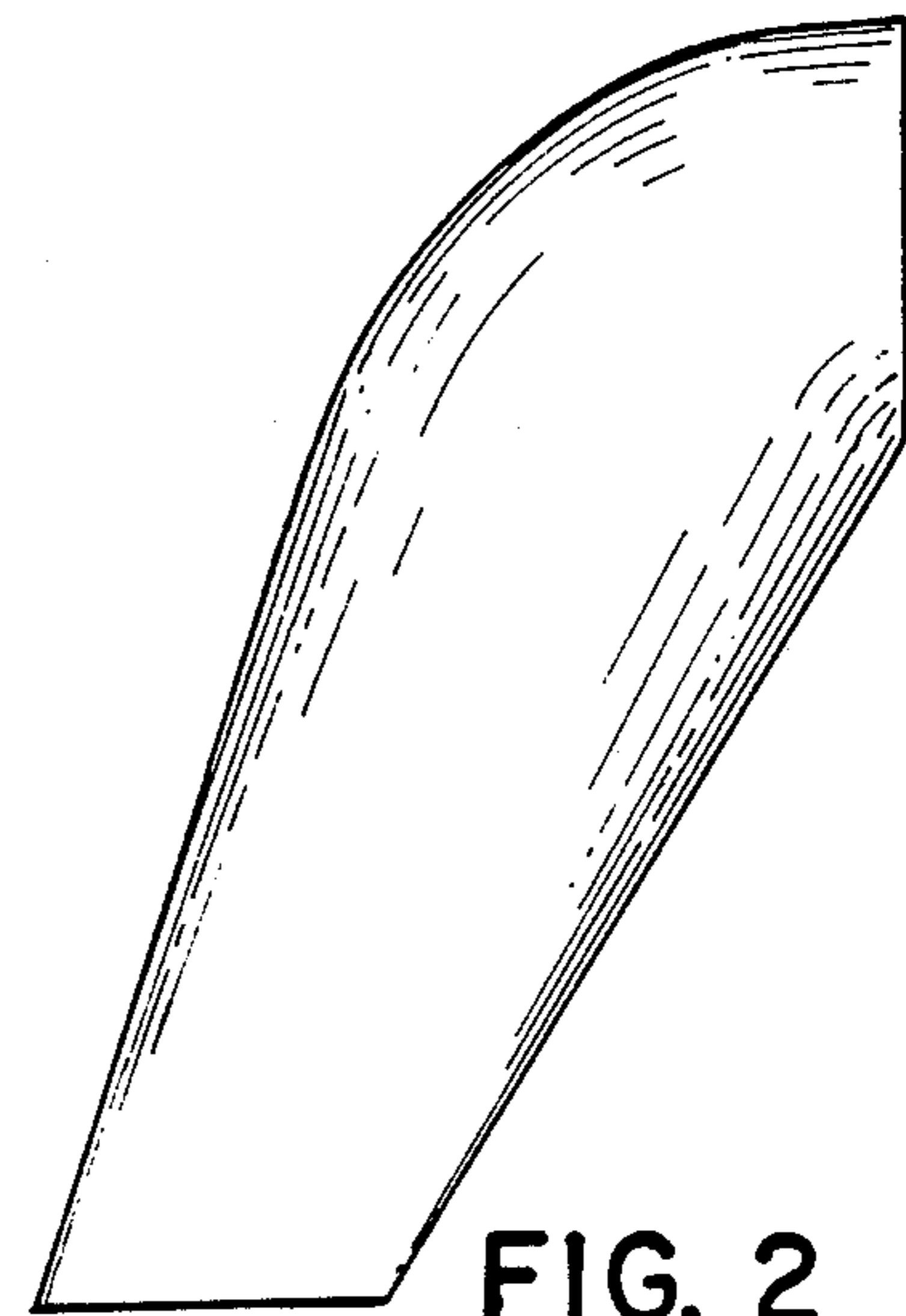


FIG. 2

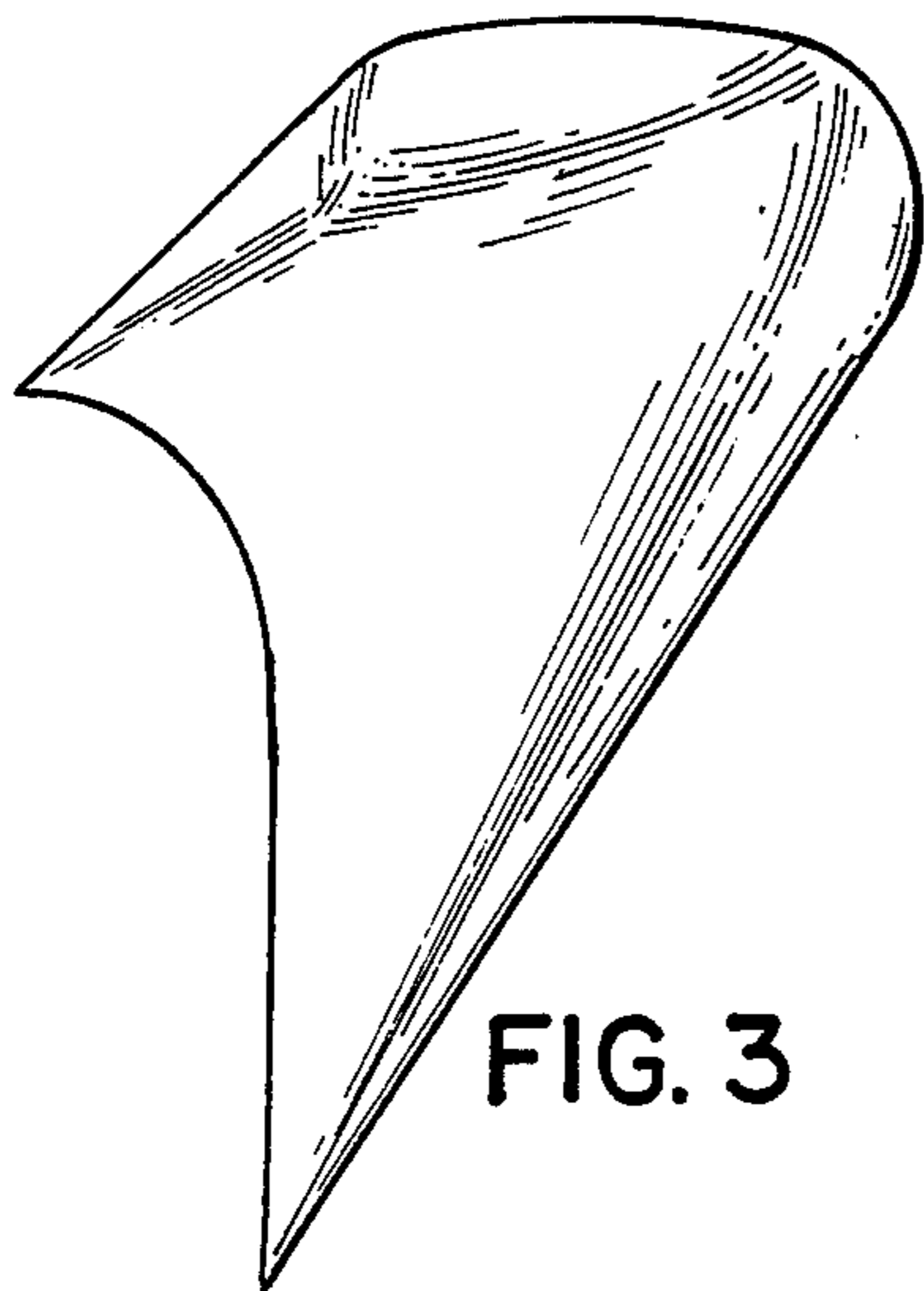


FIG. 3

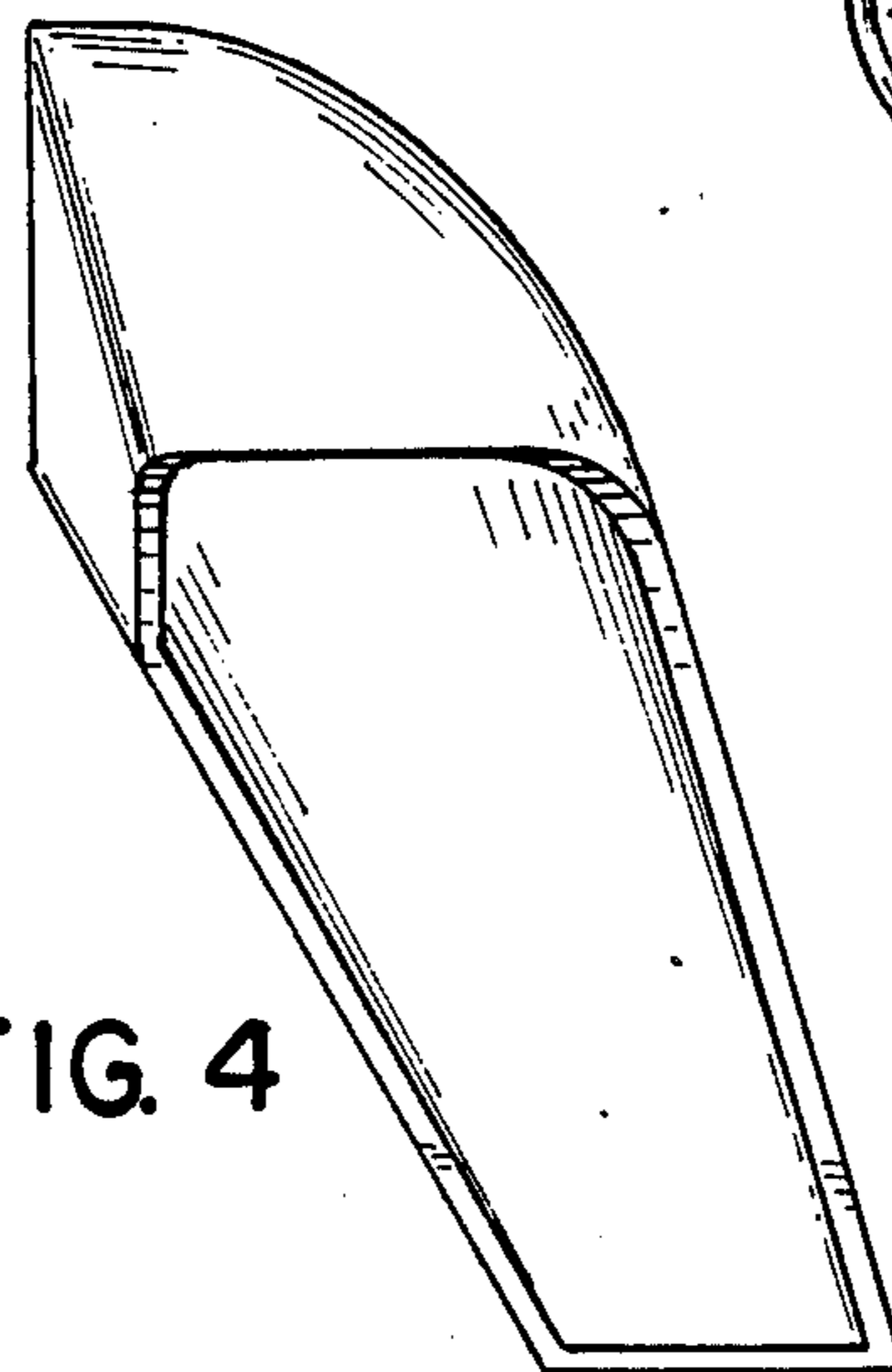


FIG. 4

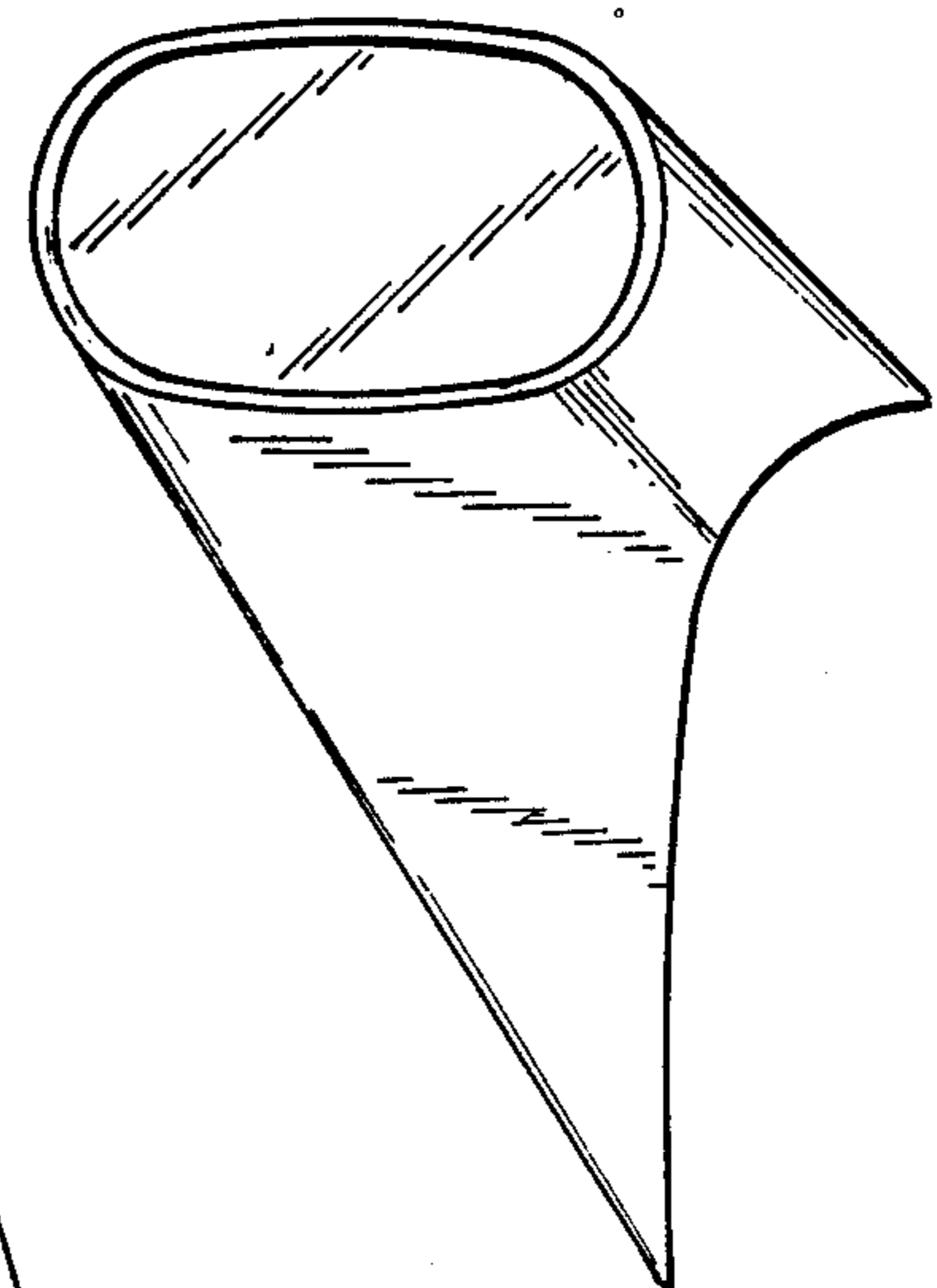


FIG. 5

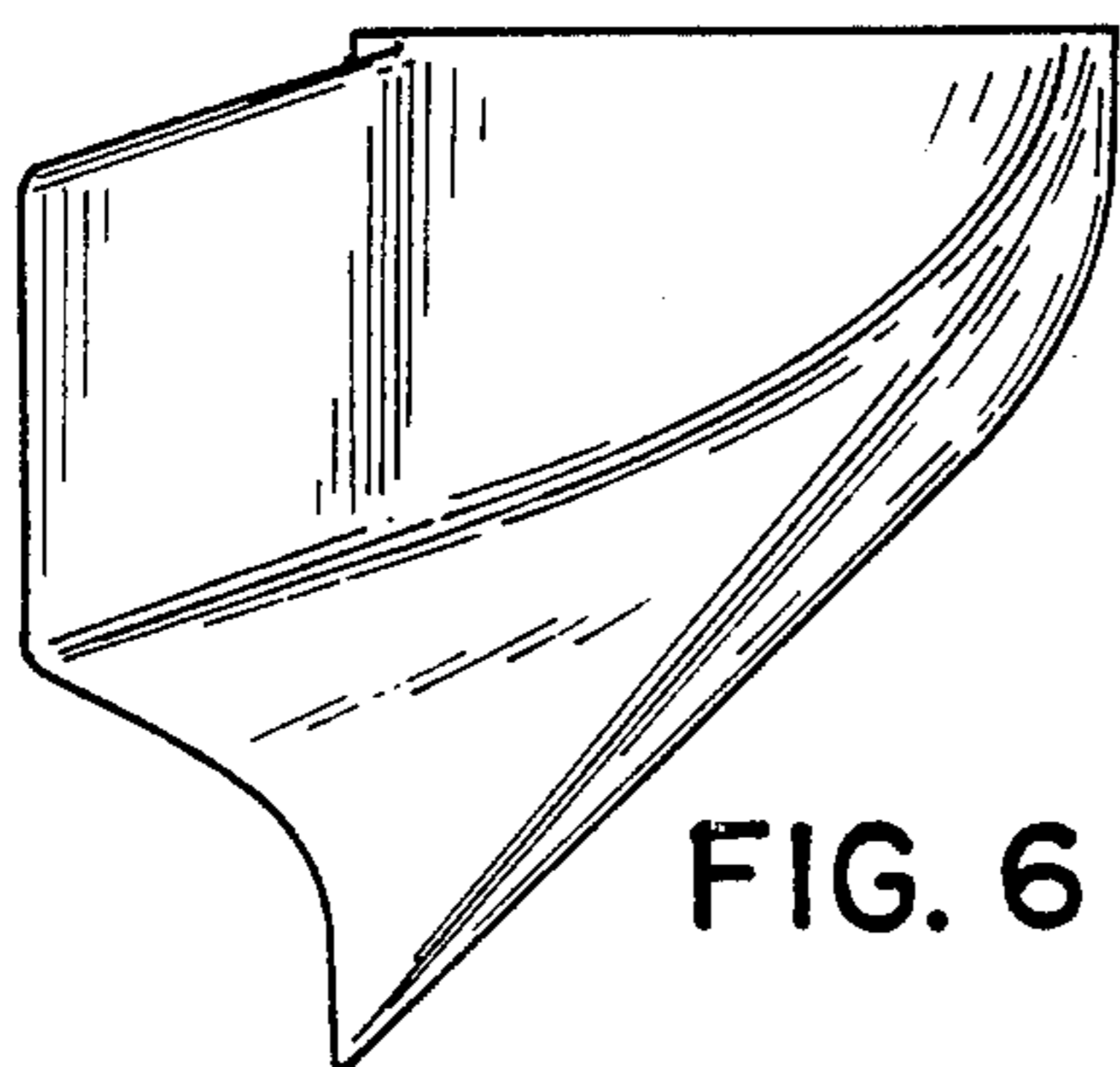


FIG. 6

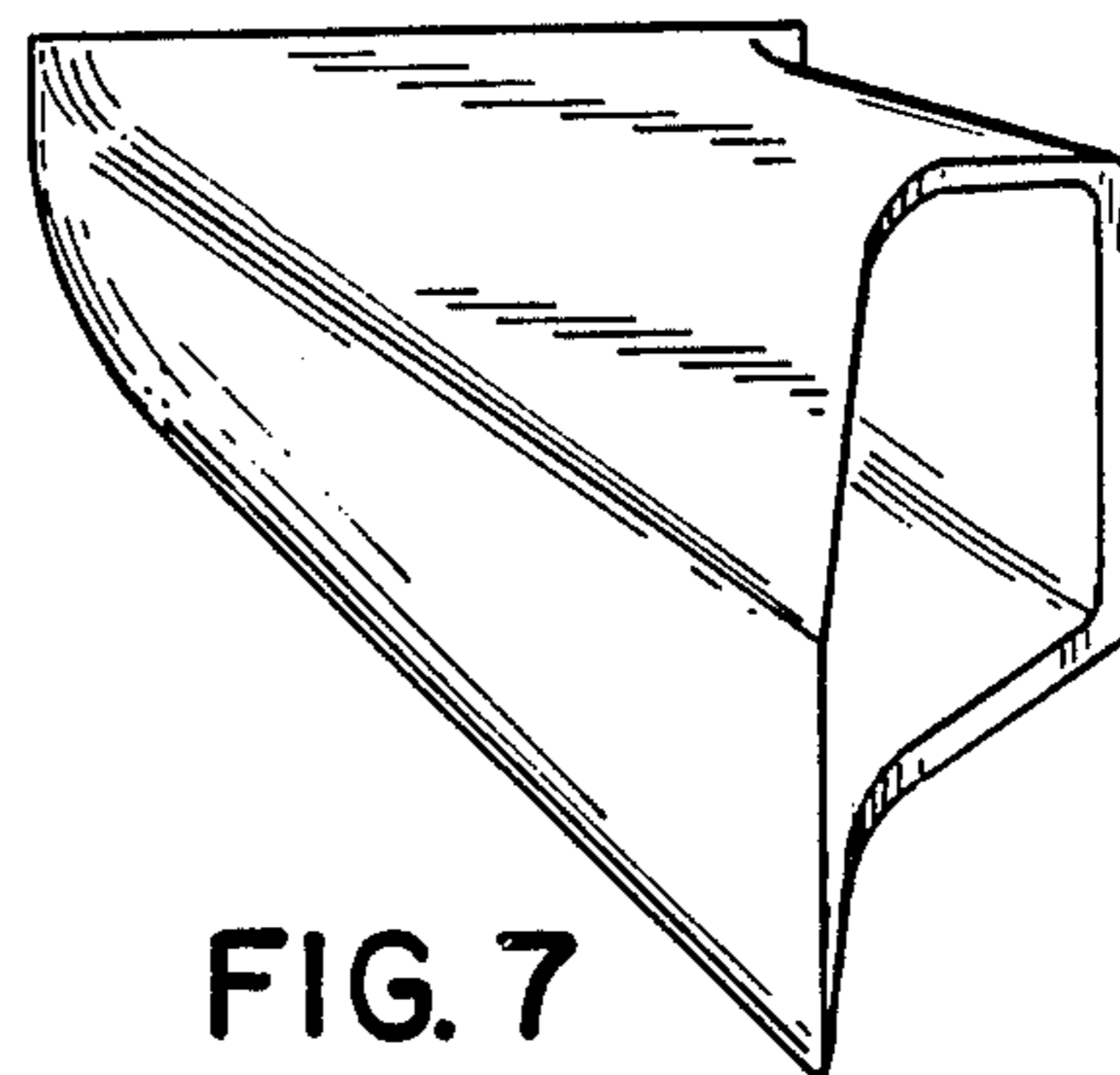


FIG. 7