

[54] DEFLECTOR SHIELD FOR MOTOR VEHICLES

[75] Inventors: John H. Ziegler, Longmont; Gerald R. Oakley, Berthoud; Daniel F. Krause, Sr., Loveland, all of Colo.

[73] Assignee: Autotron Products, Inc., Longmont, Colo.

[\*\*] Term: 14 Years

[21] Appl. No.: 107,153

[22] Filed: Oct. 13, 1987

[52] U.S. Cl. .... D12/181

[58] Field of Search ..... D12/181; 296/180.1, 296/180.2, 91

[56] References Cited

U.S. PATENT DOCUMENTS

4,627,657 12/1986 Daniels et al. .... 296/91

OTHER PUBLICATIONS

J. C. Whitney Catalog No. 431C, ©1983, p. 264, Engine Louver Cover, top left center of page.

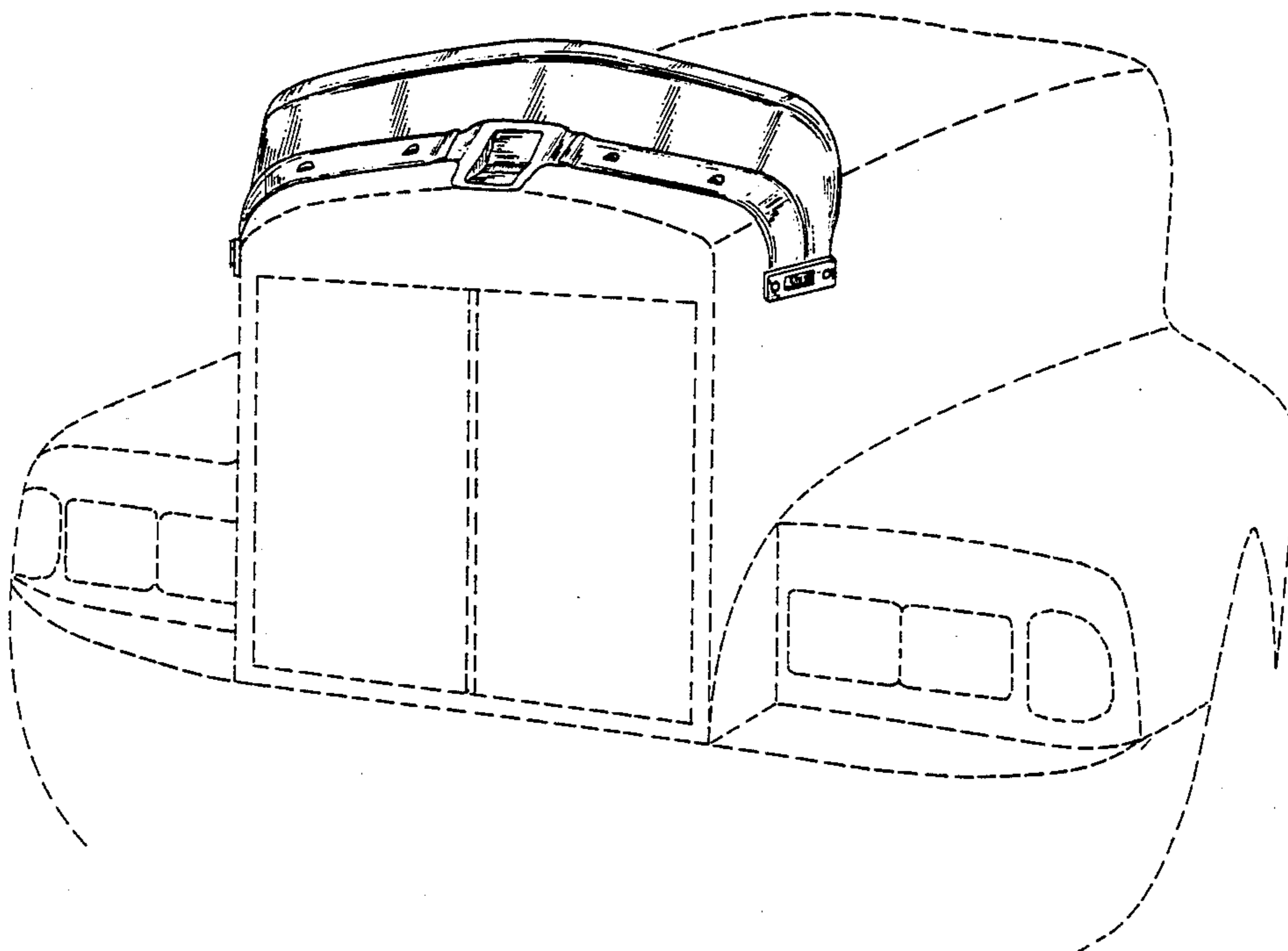
Primary Examiner—James M. Gandy  
Attorney, Agent, or Firm—Dykema Gossett

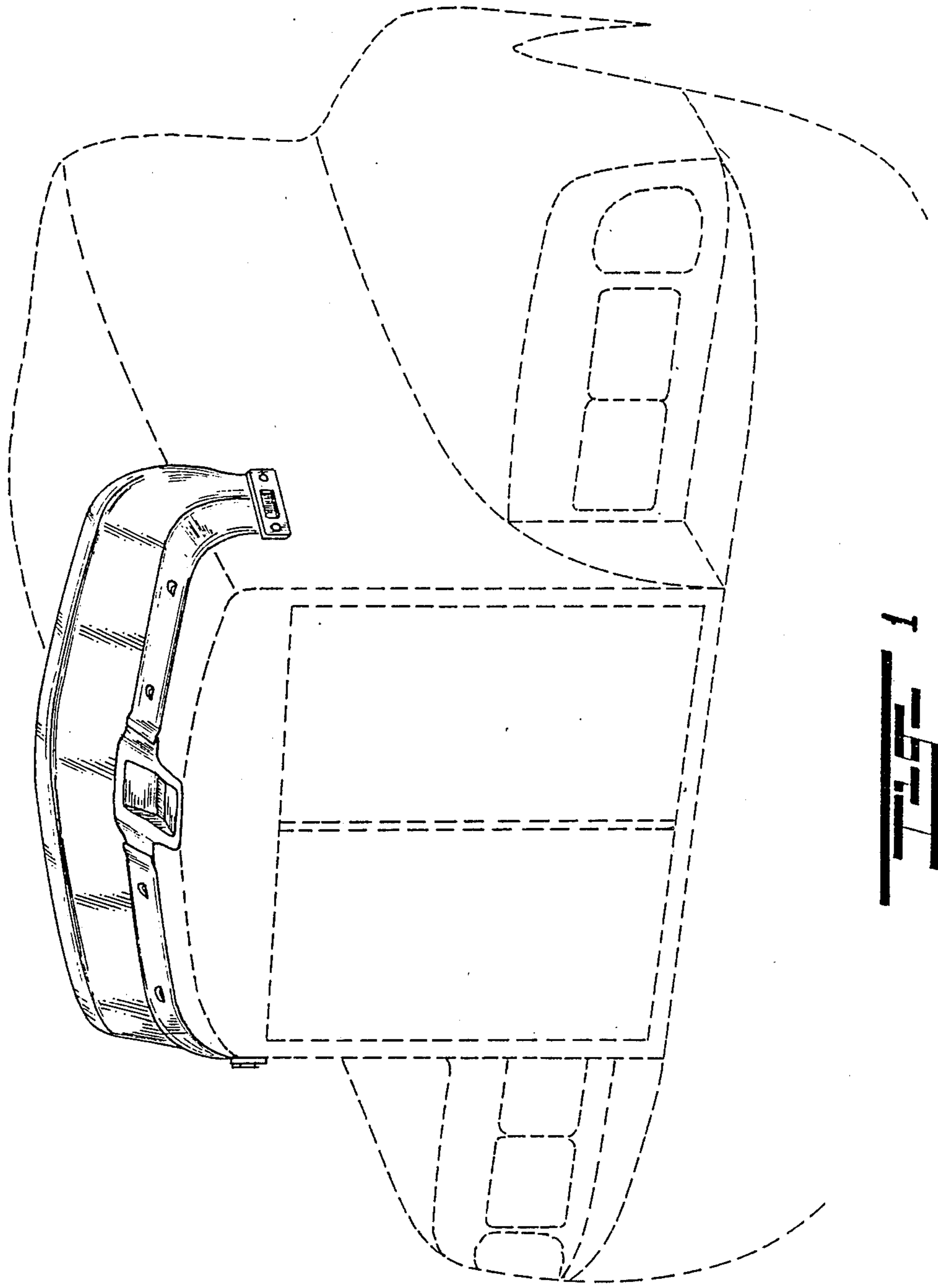
[57] CLAIM

The ornamental design for a deflector shield for motor vehicles, as shown and described.

DESCRIPTION

FIG. 1 is a perspective view of a deflector shield for motor vehicles showing our new design it being understood that the broken lines are for illustrative purposes only and form no part of the claimed design; FIG. 2 is an enlarged top plan view thereof; FIG. 3 is an enlarged front elevation view thereof; FIG. 4 is an enlarged side elevation view thereof; FIG. 5 is an enlarged side elevation view thereof taken from the side opposite to that shown in FIG. 4; FIG. 6 is an enlarged bottom plan view thereof; and FIG. 7 is an enlarged rear elevation view thereof.





**FIG. 1**

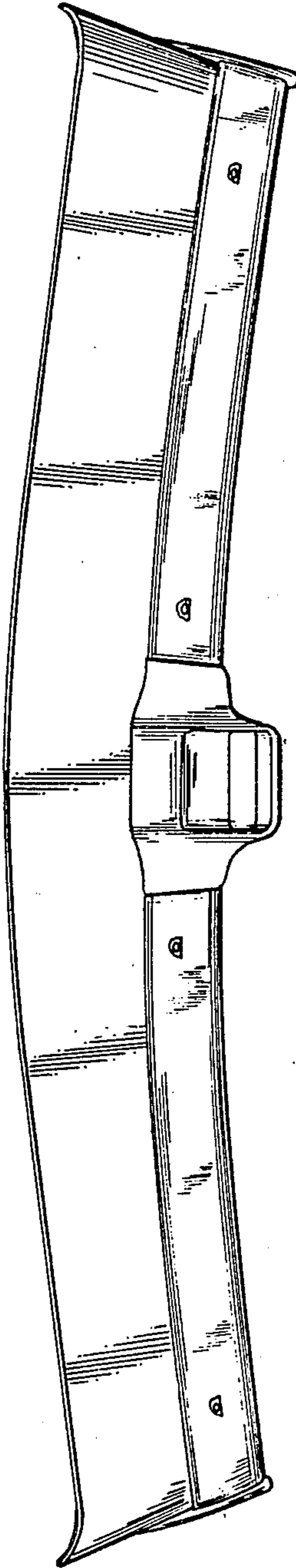


FIG 2

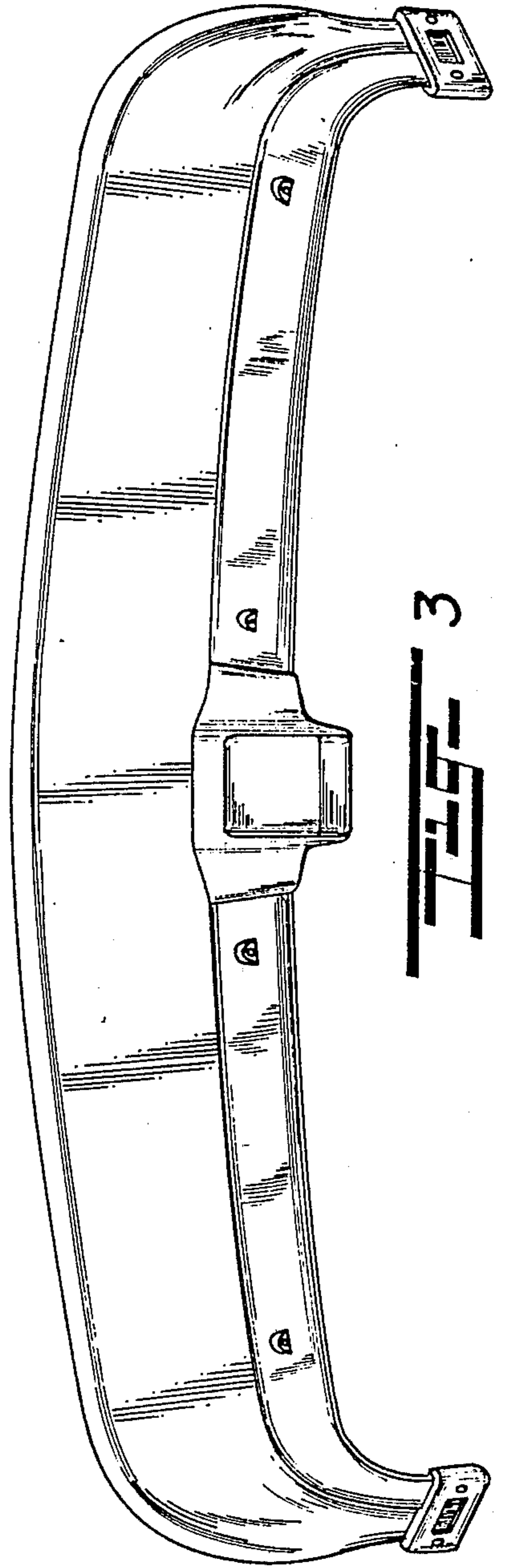


FIG 3

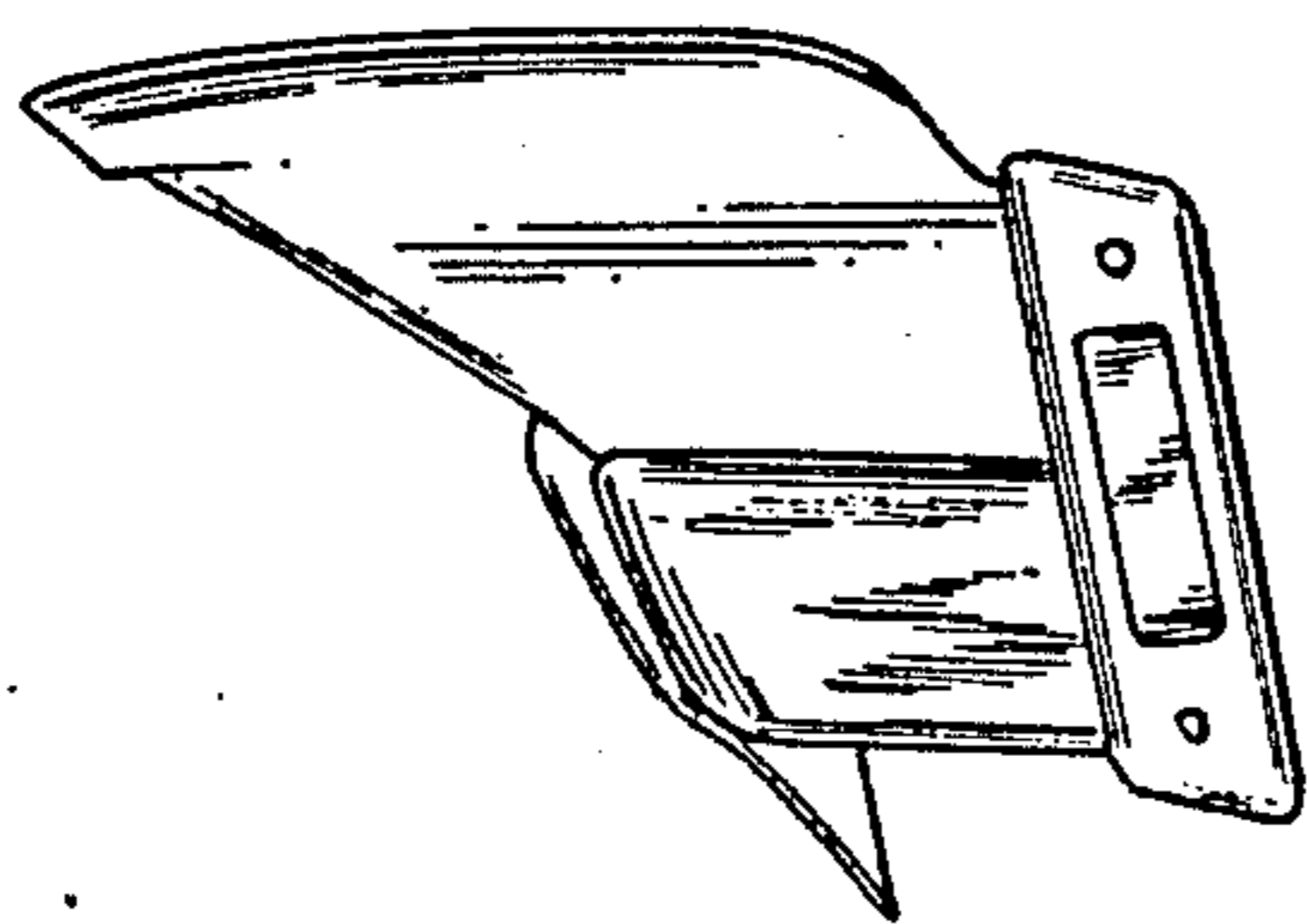


FIG 4

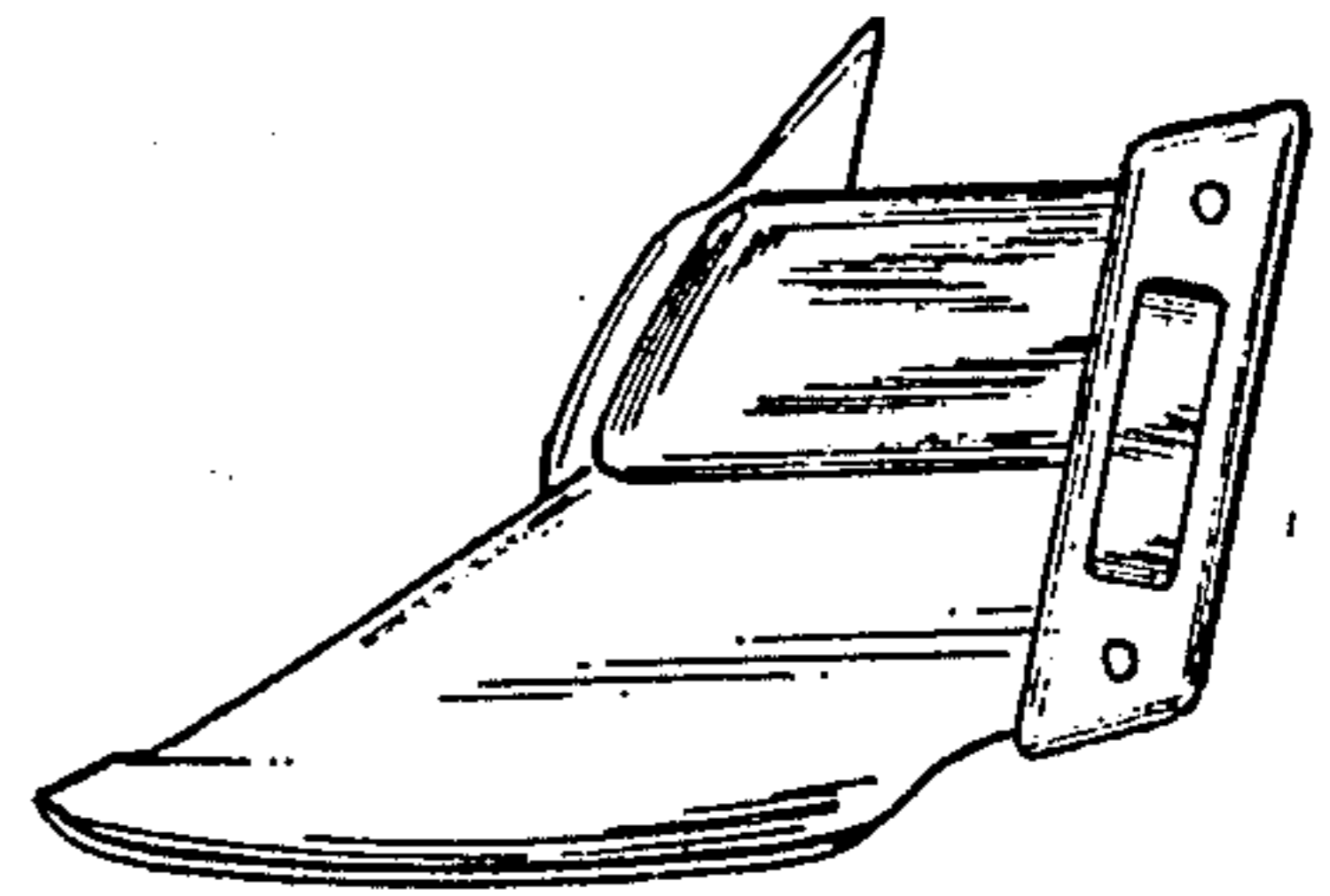


FIG 5

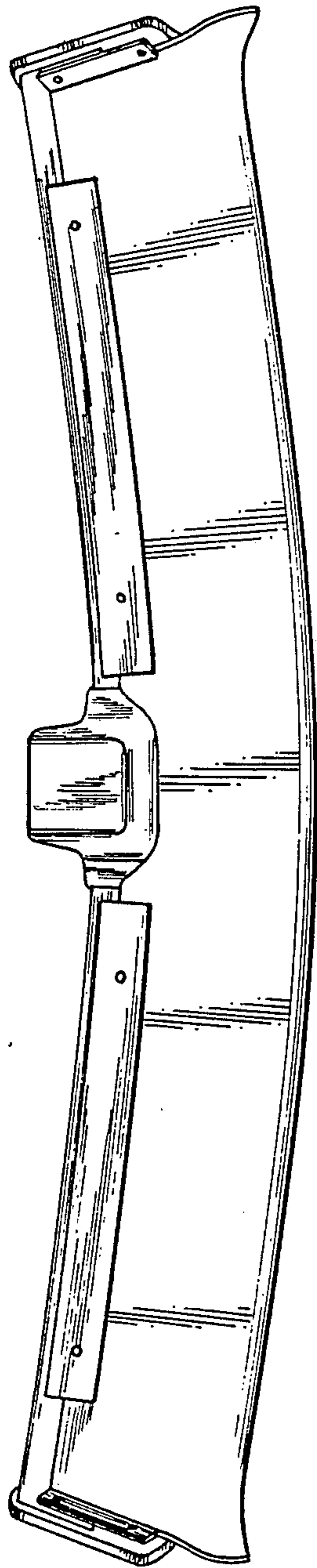


FIG. 6

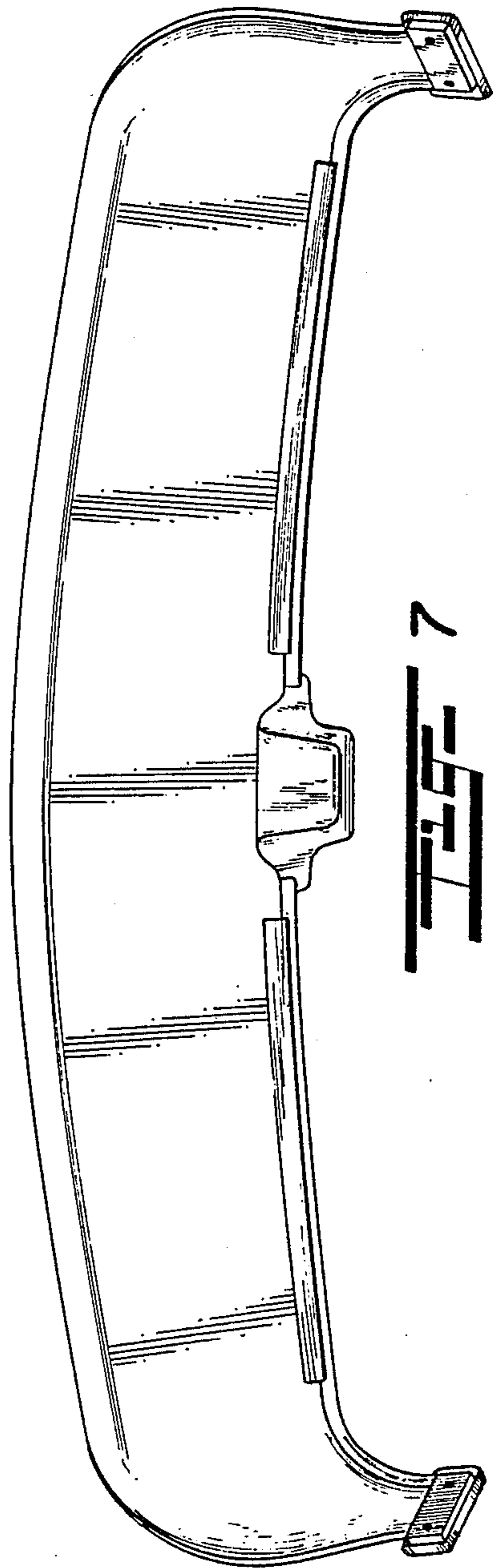


FIG. 7