

[54] VEHICLE ROOF MOUNTED AIR REVERSING UNIT

[76] Inventor: Guadalupe A. Lopez, 31 Clark St., Pontiac, Mich. 48058

[**] Term: 14 Years

[21] Appl. No.: 406,136

[22] Filed: Sep. 11, 1989

Related U.S. Application Data

[63] Continuation-in-part of Ser. No. 116,752, Nov. 4, 1987, abandoned.

[52] U.S. Cl. D12/181; D23/393

[58] Field of Search D12/181; D23/393; 296/180.1, 91; 98/2.15, 2.17

References Cited

U.S. PATENT DOCUMENTS

1,594,894 8/1926 Masury 98/2.15

3,910,623 10/1975 McKeen 296/180.1

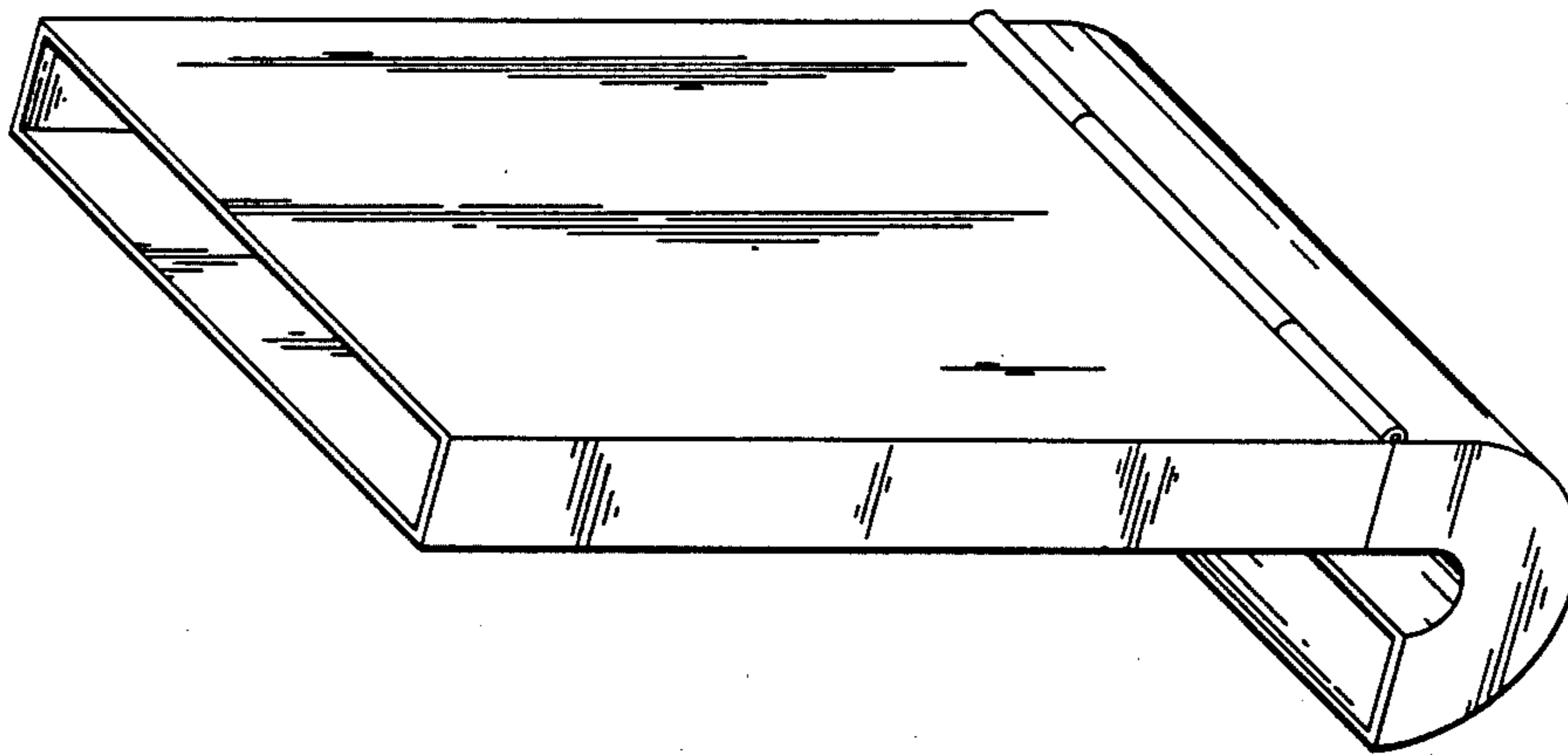
Primary Examiner—James M. Gandy
Attorney, Agent, or Firm—John J. Cantarella

[57] CLAIM

The ornamental design for a vehicle roof mounted air reversing unit, as shown and described.

DESCRIPTION

FIG. 1 is a side elevation view of a vehicle roof mounted air reversing unit showing my new design, the opposite side being a mirror image thereof, it being understood that the broken lines are for illustrative purposes only and form no part of the claimed design; FIG. 2 is a front elevation view thereof; FIG. 3 is a bottom plan view thereof; FIG. 4 is a rear elevation view thereof; FIG. 5 is a top plan view thereof; FIG. 6 is an isometric view of the top, front and one side thereof; and FIG. 7 is an isometric view of the top, rear and one side thereof.



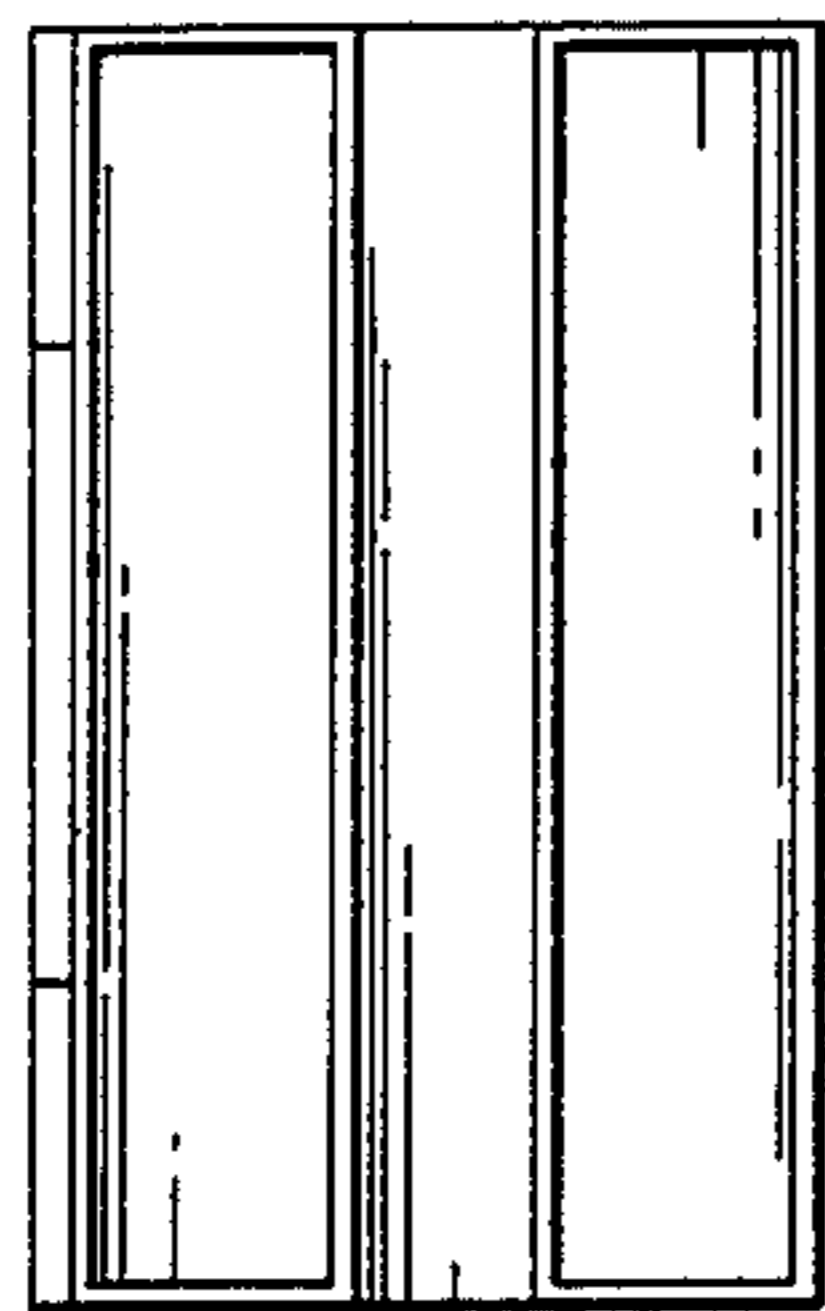
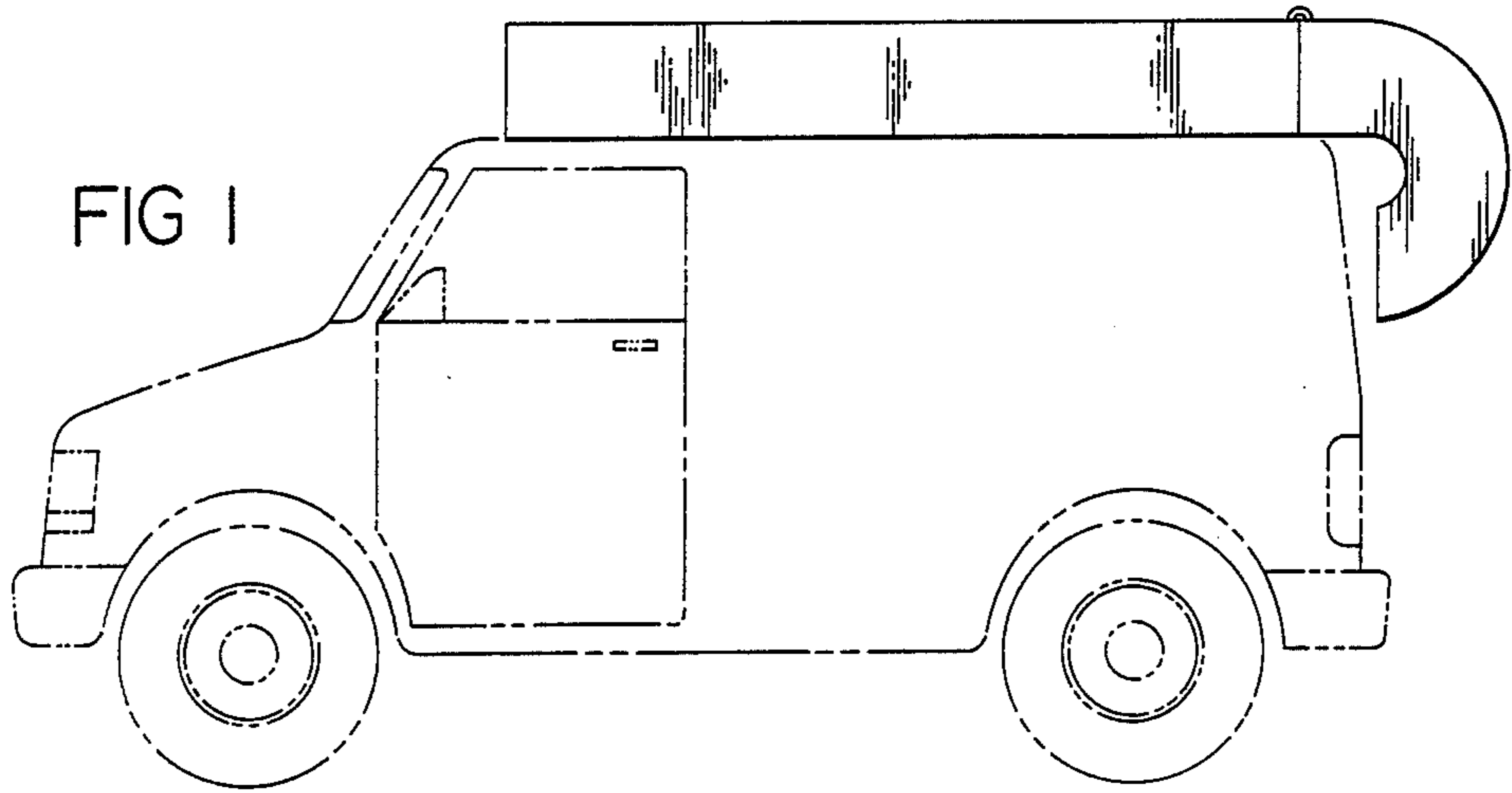


FIG 2

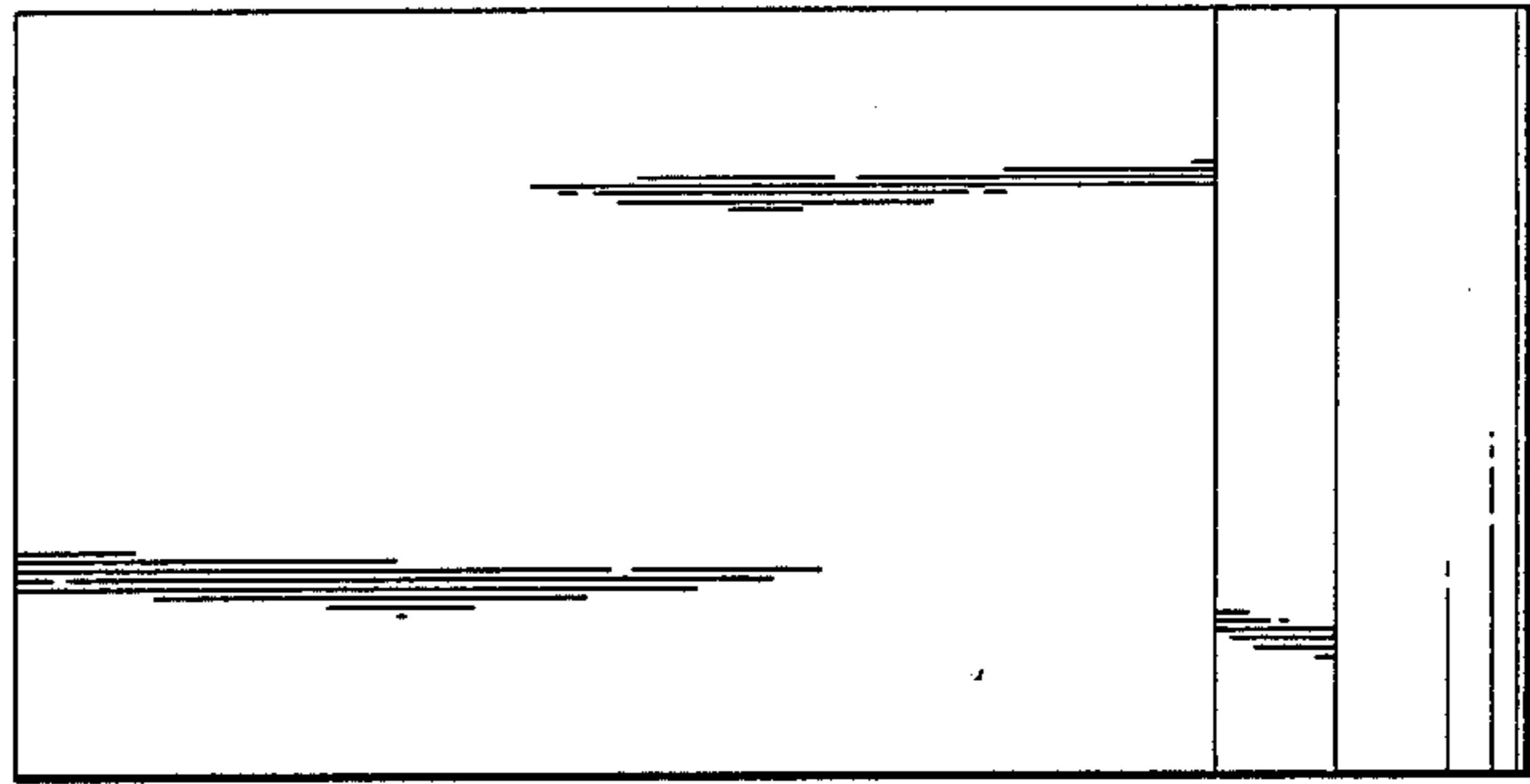


FIG 3

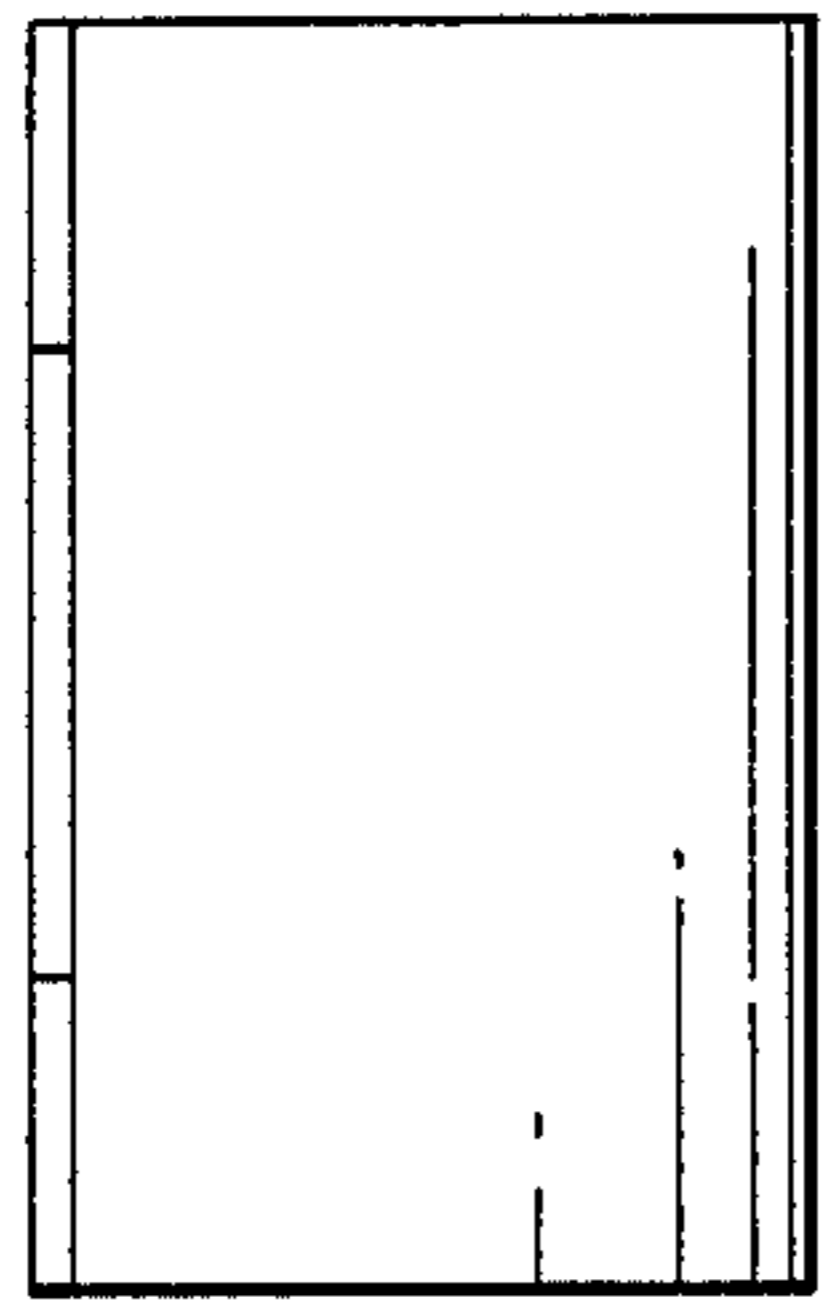


FIG 4

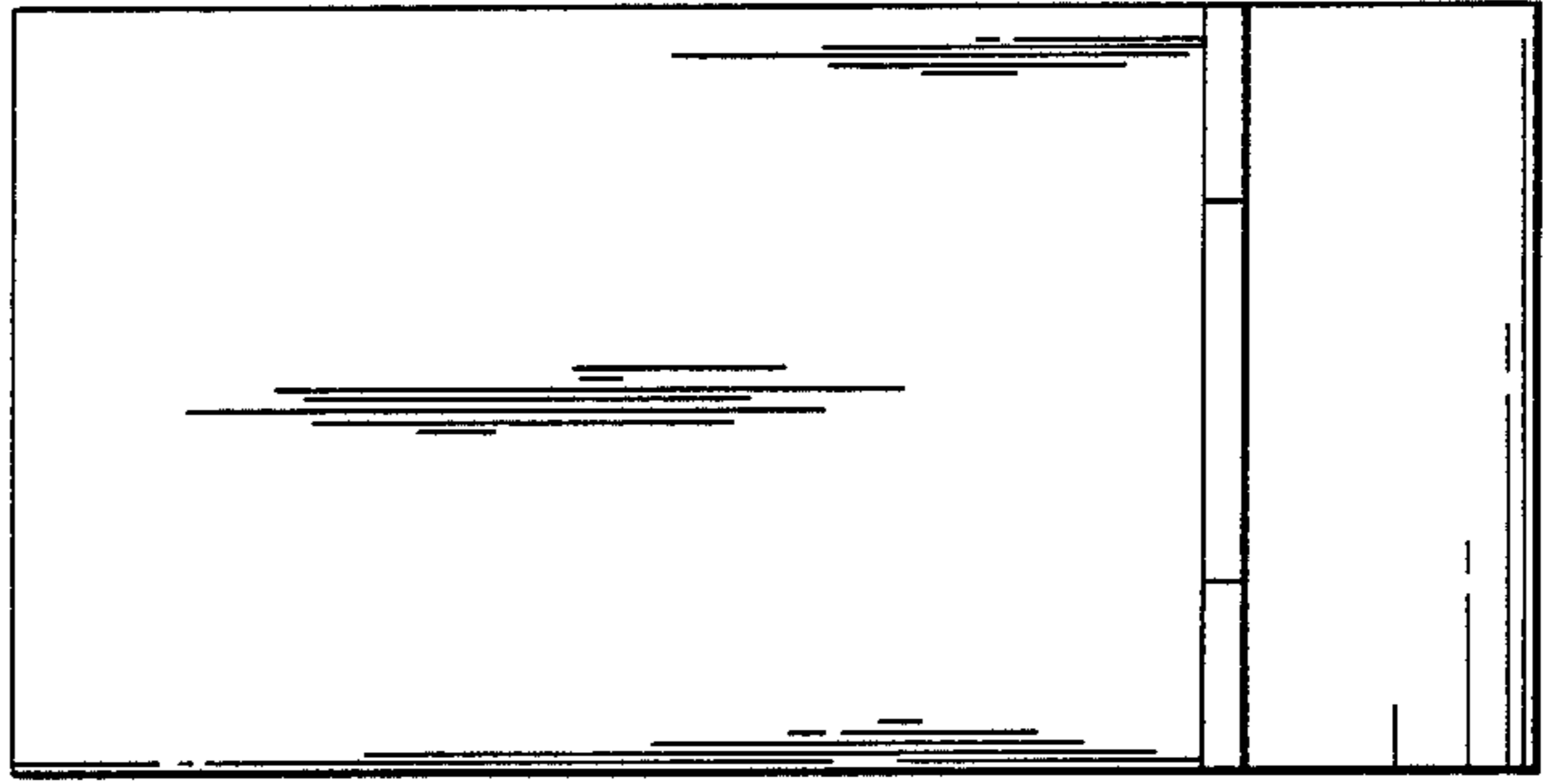


FIG 5

FIG 6

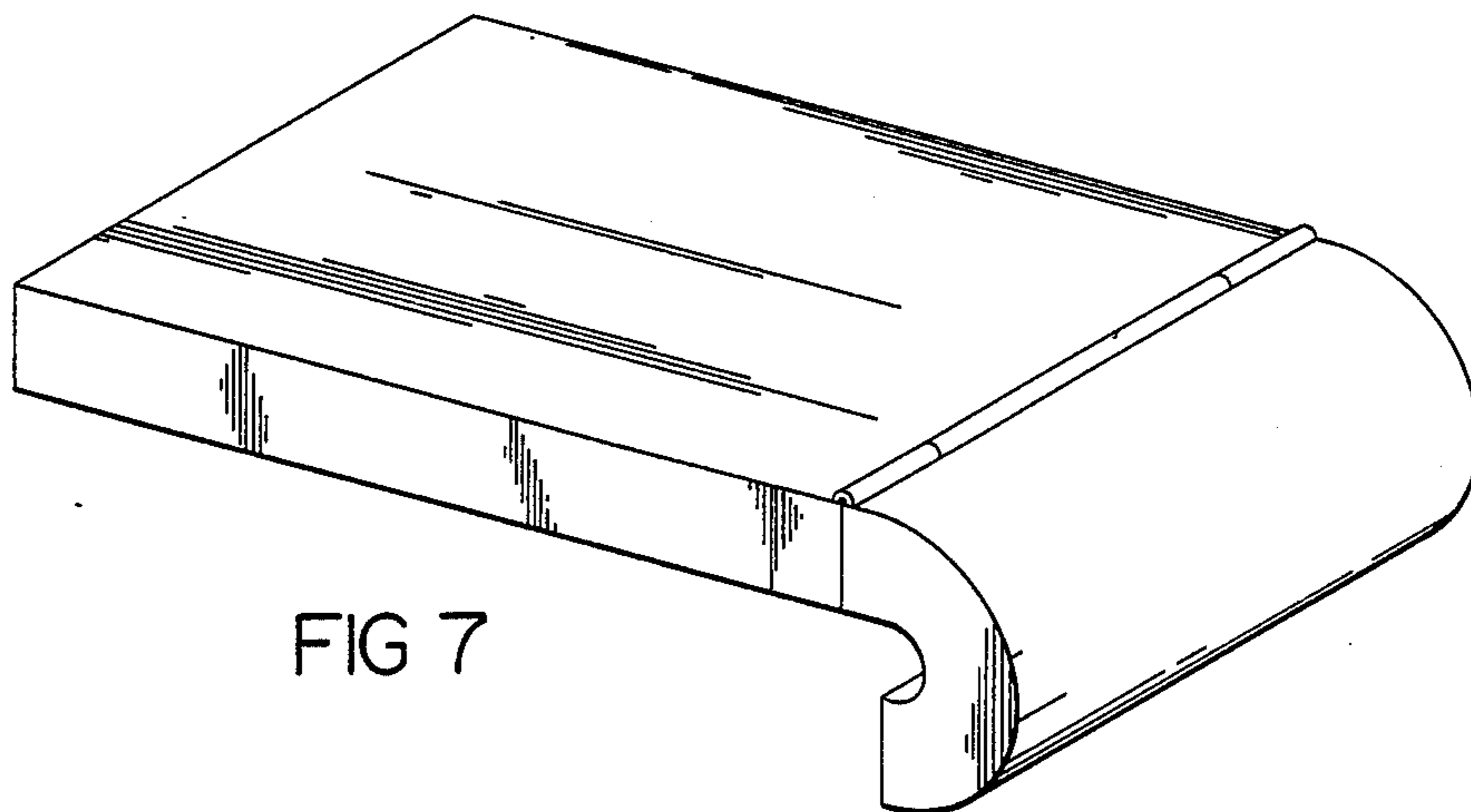
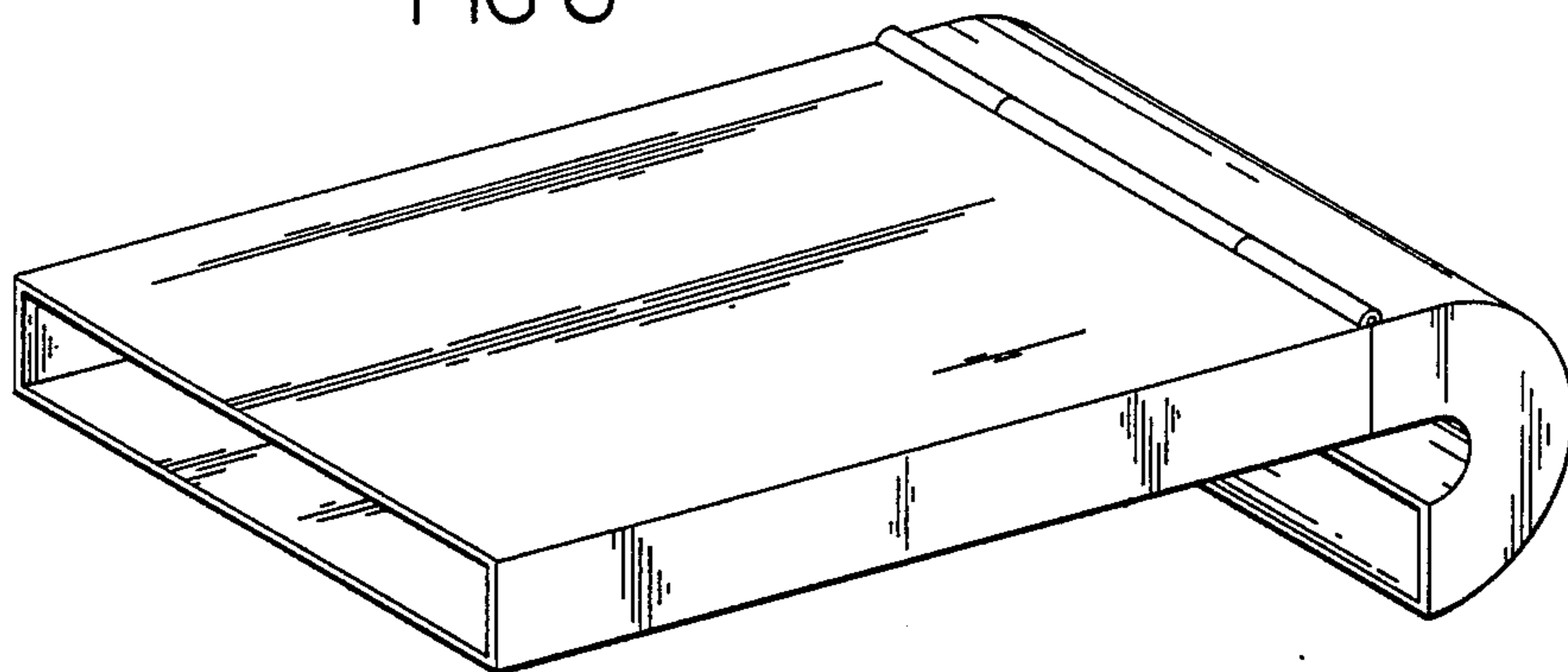


FIG 7