

[54] TRAILER CONNECTING GUIDE UNIT

[76] Inventor: Steven M. Mabry, 38037 Tupelo St., Gonzales, La. 70737

[**] Term: 14 Years

[21] Appl. No.: 210,303

[22] Filed: Jun. 22, 1988

[52] U.S. Cl. D12/162

[58] Field of Search D12/162; 33/264; 116/28 R

[56] References Cited

U.S. PATENT DOCUMENTS

| | | | |
|------------|---------|-------------------------|----------|
| D. 270,906 | 10/1983 | Orr | D12/162 |
| D. 279,092 | 6/1985 | Snaper | D12/162 |
| D. 299,490 | 1/1989 | Berg et al. | D12/162 |
| 3,702,029 | 11/1972 | Anderson, Jr. | 33/264 |
| 3,765,703 | 10/1973 | Voelkerding et al. | 116/28 R |

| | | | |
|-----------|--------|----------------|--------|
| 3,889,384 | 6/1975 | White | 33/264 |
| 4,583,481 | 4/1986 | Garrison | 33/264 |
| 4,666,176 | 5/1987 | Sand | 33/264 |

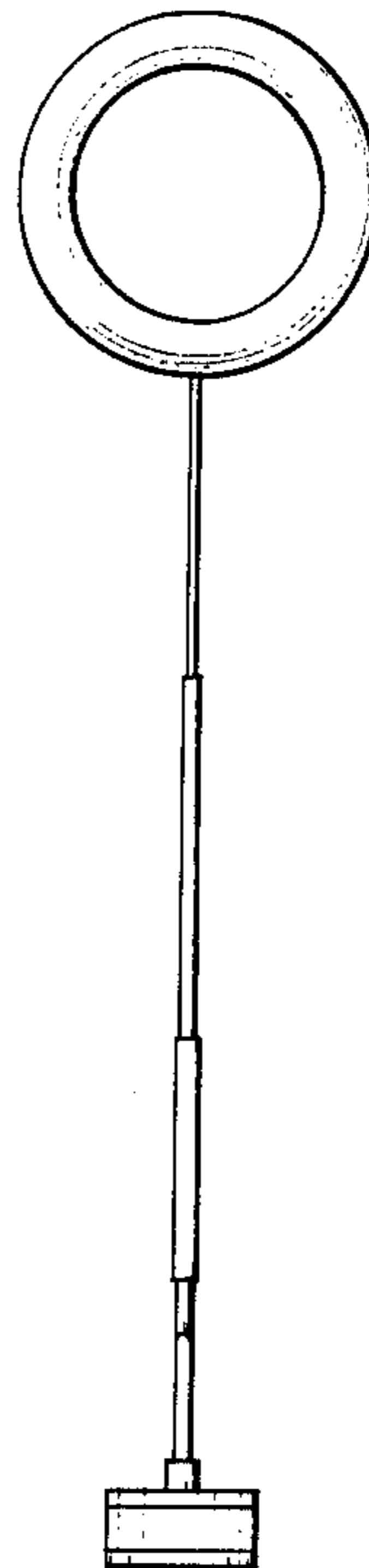
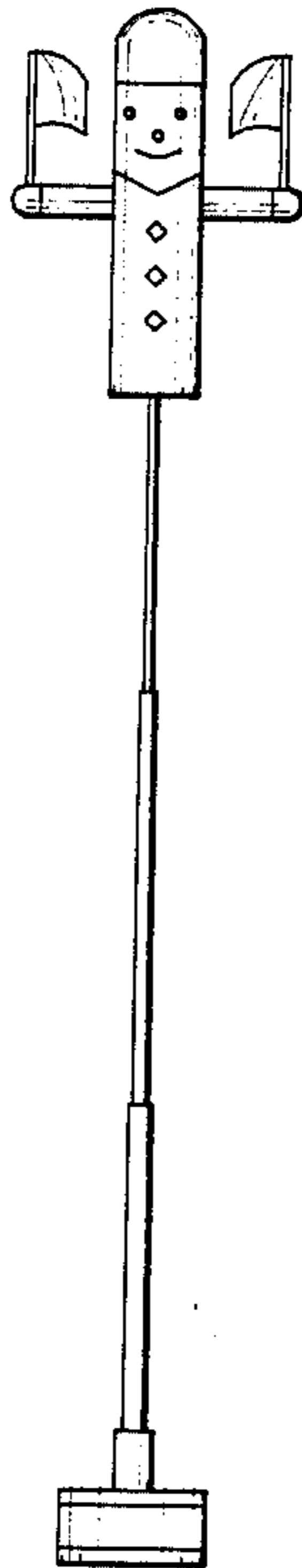
Primary Examiner—James M. Gandy
Assistant Examiner—Melody Brown
Attorney, Agent, or Firm—Jerry T. Kearns

[57] CLAIM

The ornamental design for a trailer connecting guide unit, as shown.

DESCRIPTION

FIG. 1 is a front elevational view of a trailer connecting guide showing my new design;
FIG. 2 is a rear elevational view thereof;
FIG. 3 is a left side elevational view thereof;
FIG. 4 is a right side elevational view thereof;
FIG. 5 is a top plan view thereof; and,
FIG. 6 is a bottom plan view thereof.



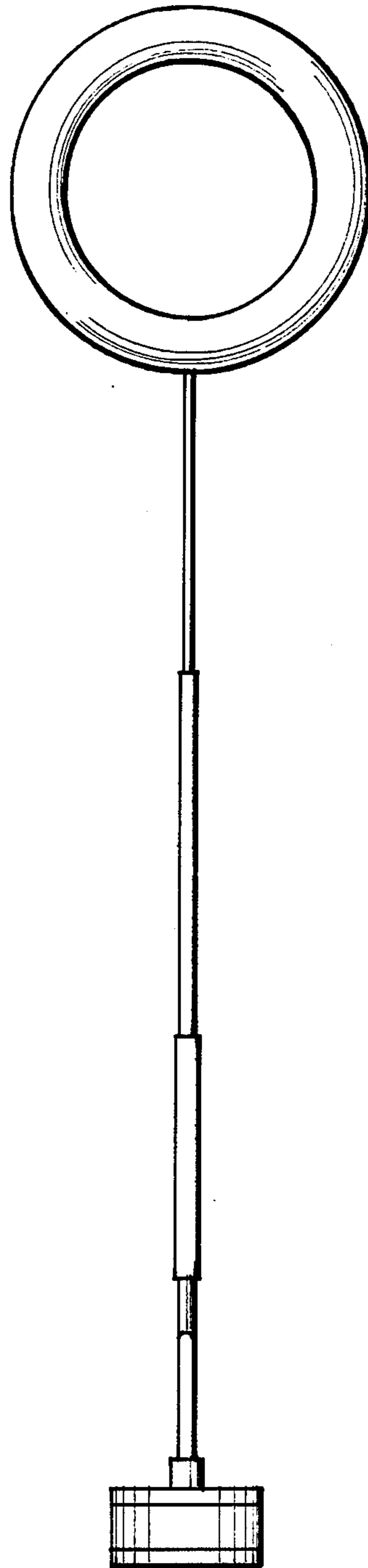
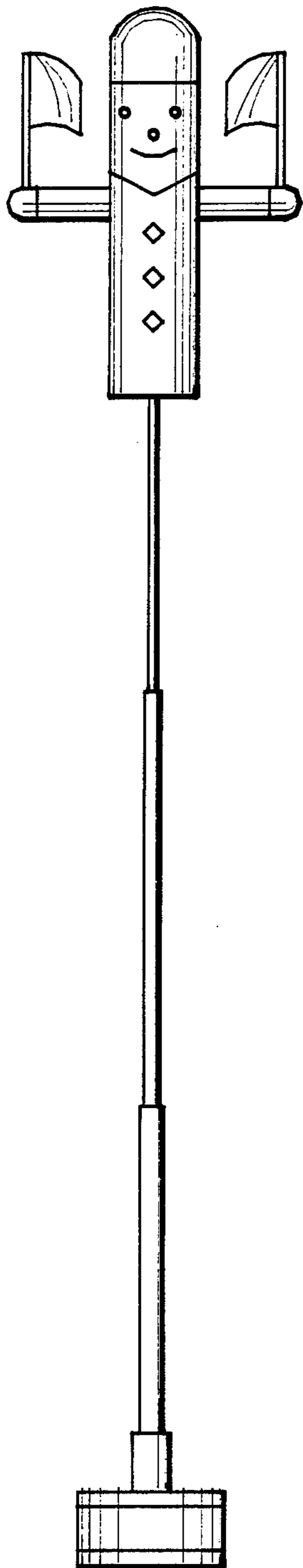


Fig. 1

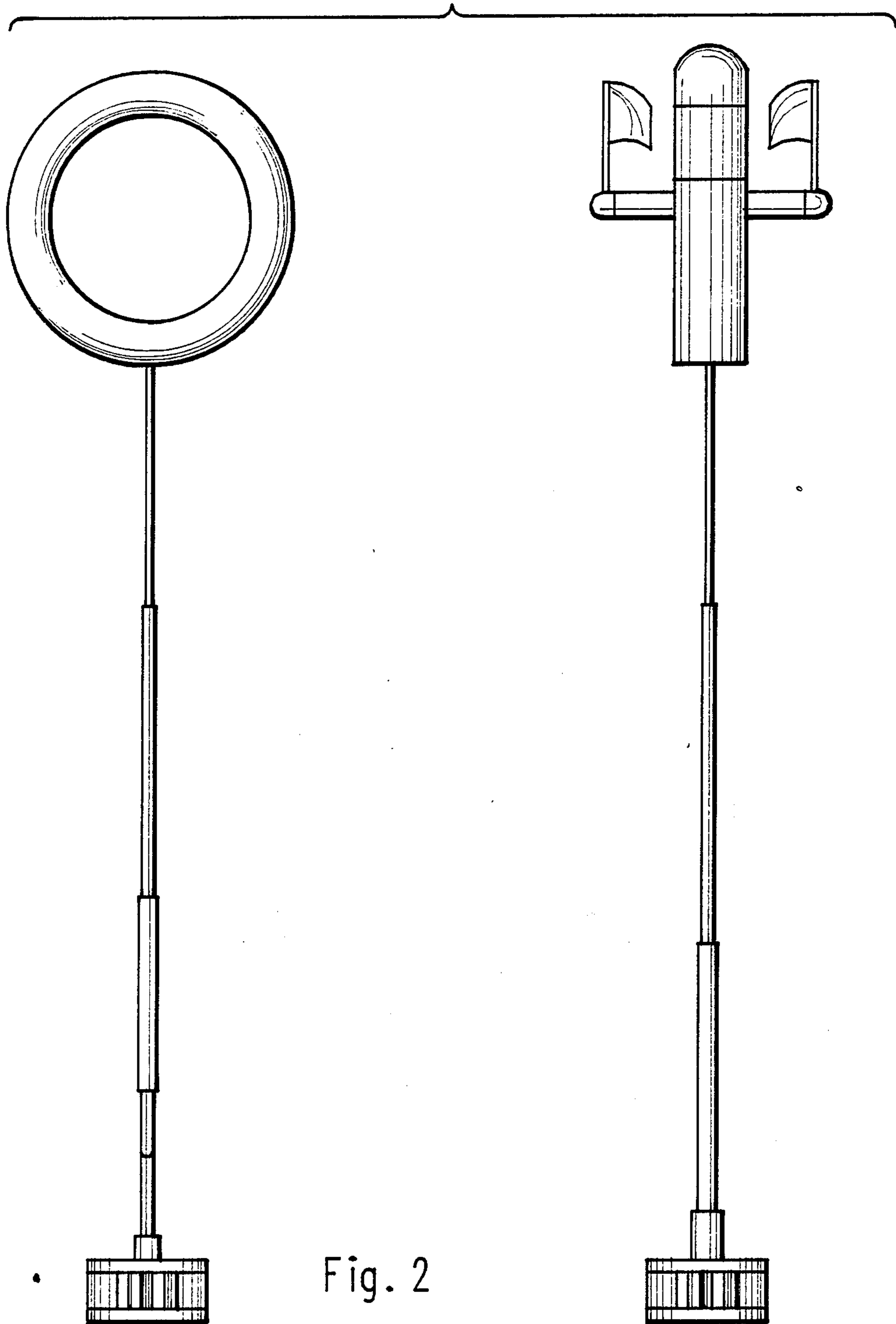


Fig. 2

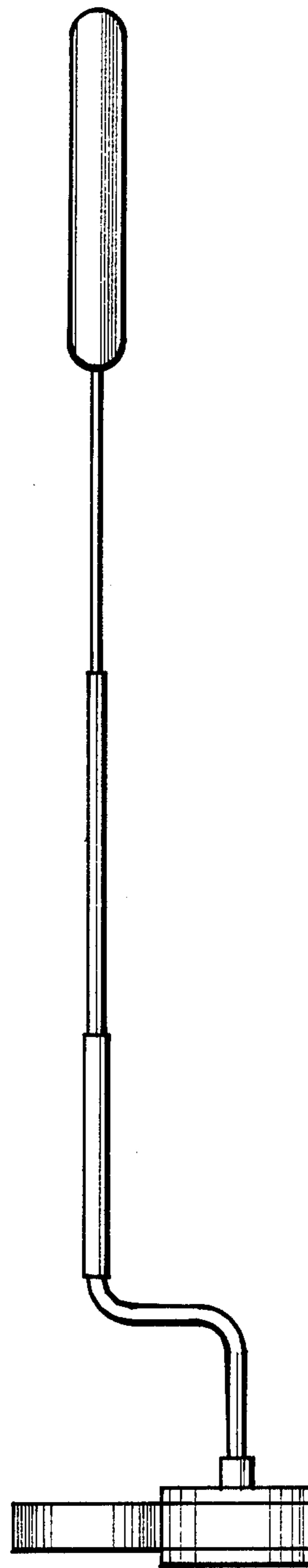
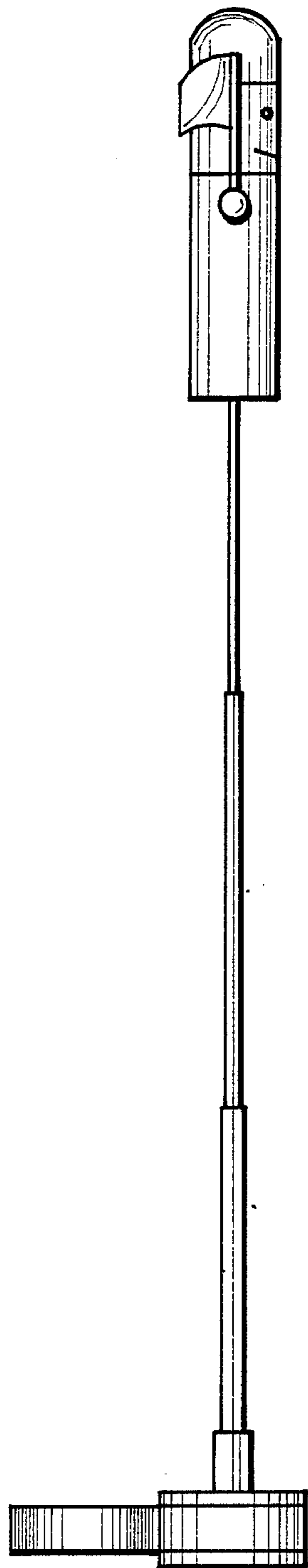


Fig. 3

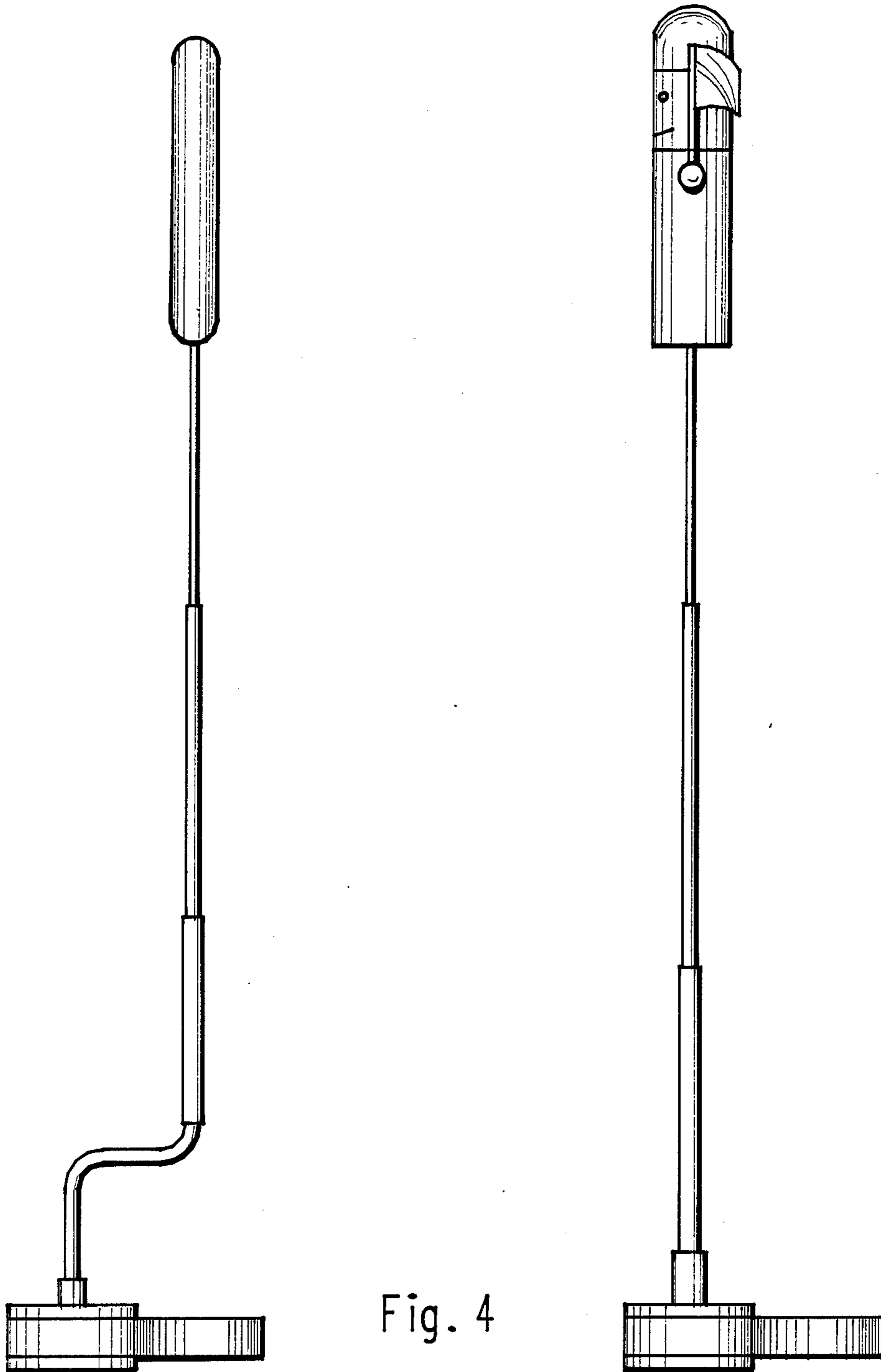


Fig. 4

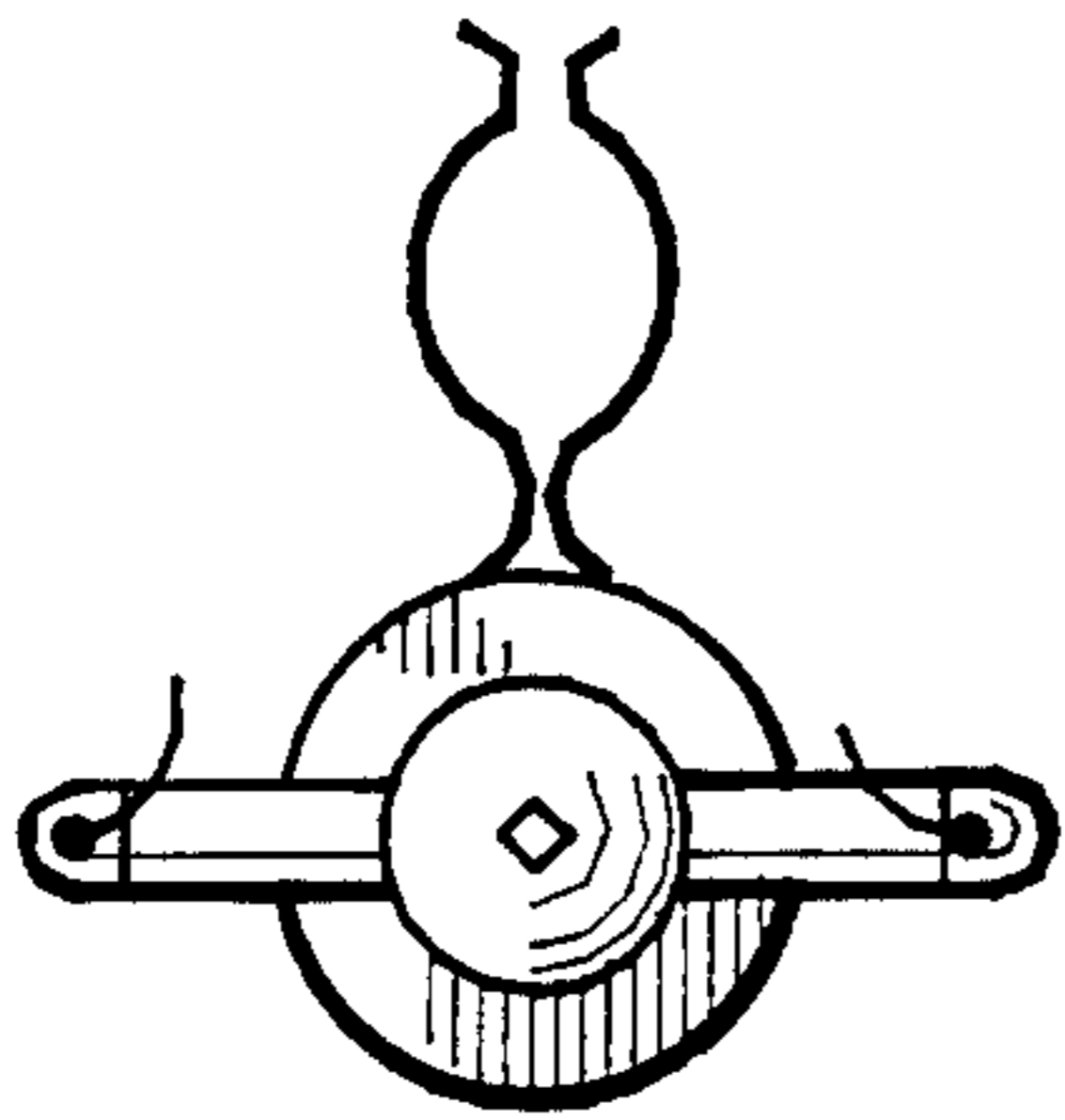


Fig. 5

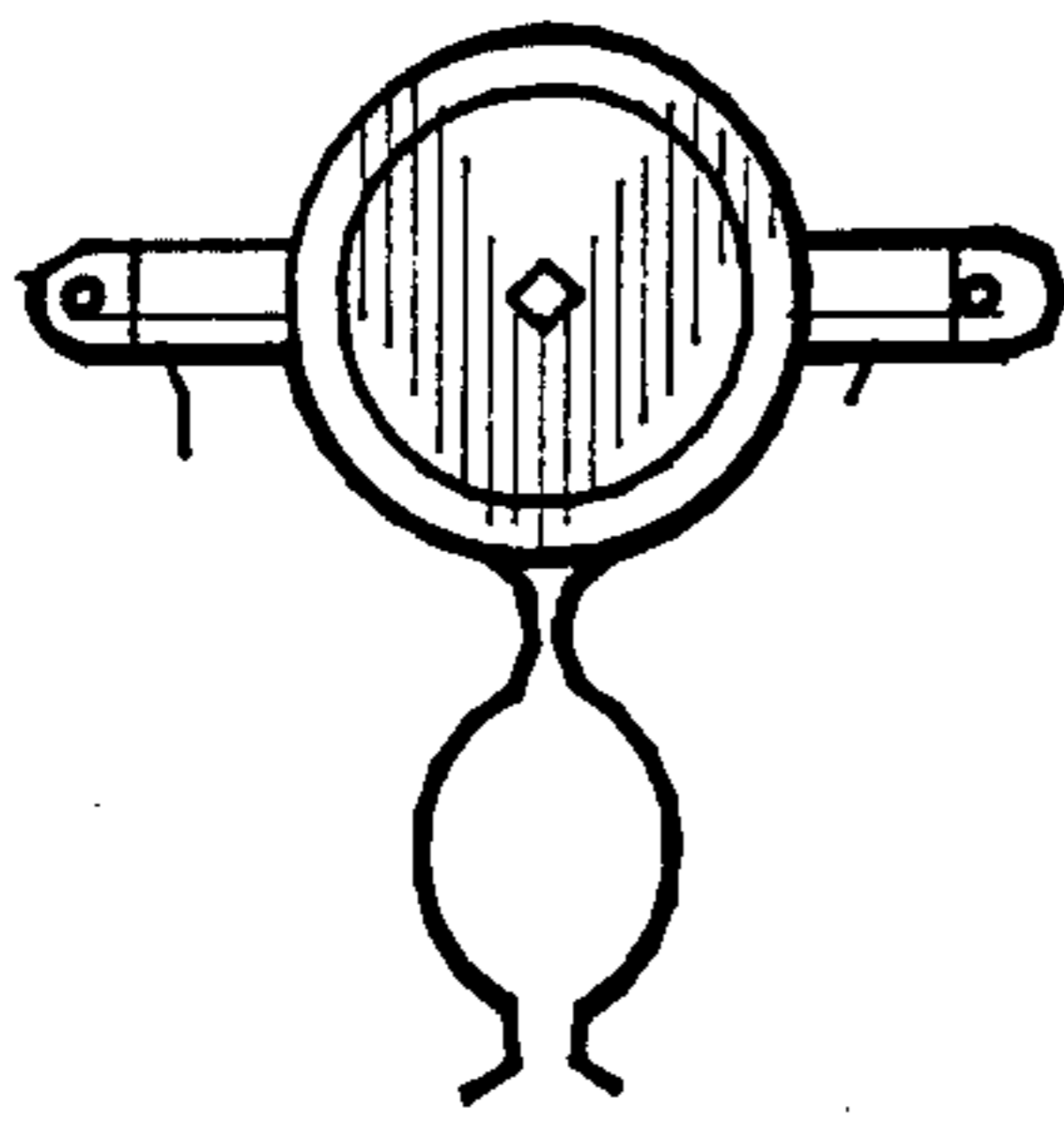
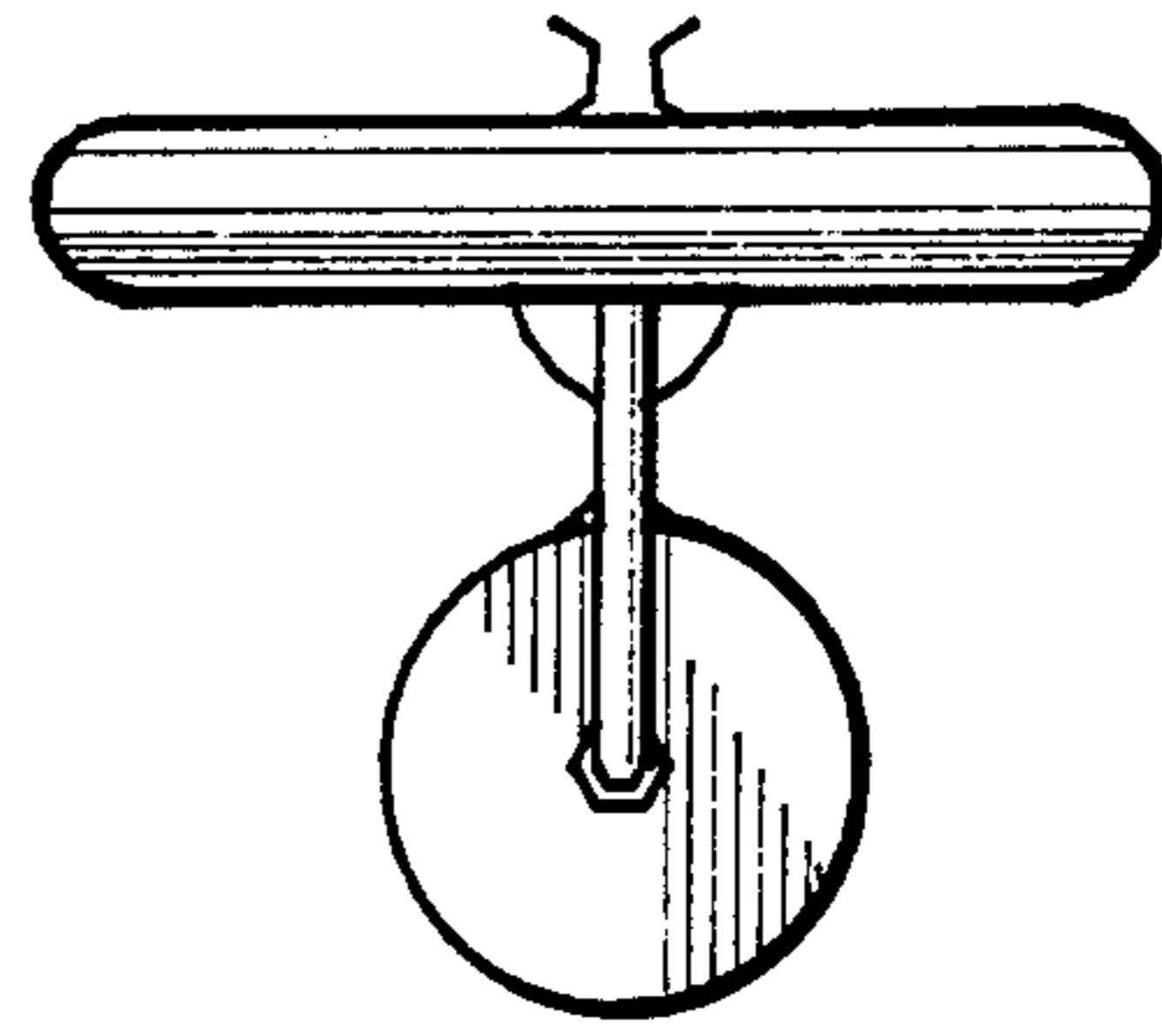


Fig. 6

