

[54] **CHRISTMAS TREE HOLDER**
 [76] Inventor: **John Chulick, 305 East Street, Winters, Calif. 95694**
 [**] Term: **14 Years**
 [21] Appl. No.: **67,092**
 [22] Filed: **Jun. 29, 1987**
 [52] U.S. Cl. **D11/130.1**
 [58] Field of Search **D11/125, 128, 129, 130, D11/130.1; 248/519, 523-525, 527-529; 47/40.5; 428/7-9**

2,891,747 6/1959 Steede 248/524
 2,904,291 9/1959 Harbes et al. 248/524
 3,227,405 1/1966 Layton 248/524
 3,480,241 11/1969 Moyer 47/40.5
 3,610,558 10/1971 Tawara 47/40.5
 4,429,846 2/1984 Halvarson 248/524

Primary Examiner—B. J. Bullock
Assistant Examiner—Dominic Simone
Attorney, Agent, or Firm—Mark C. Jacobs

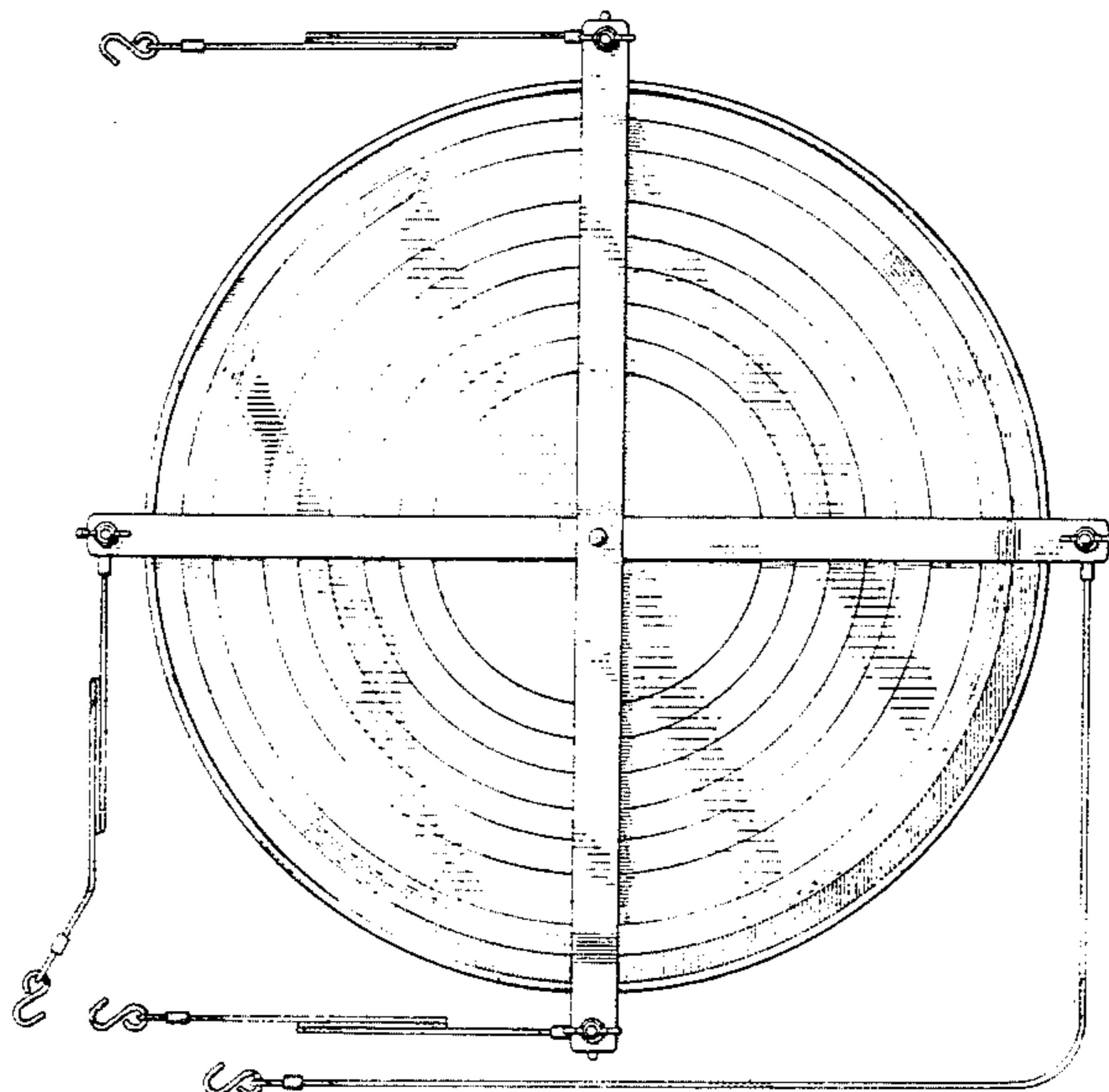
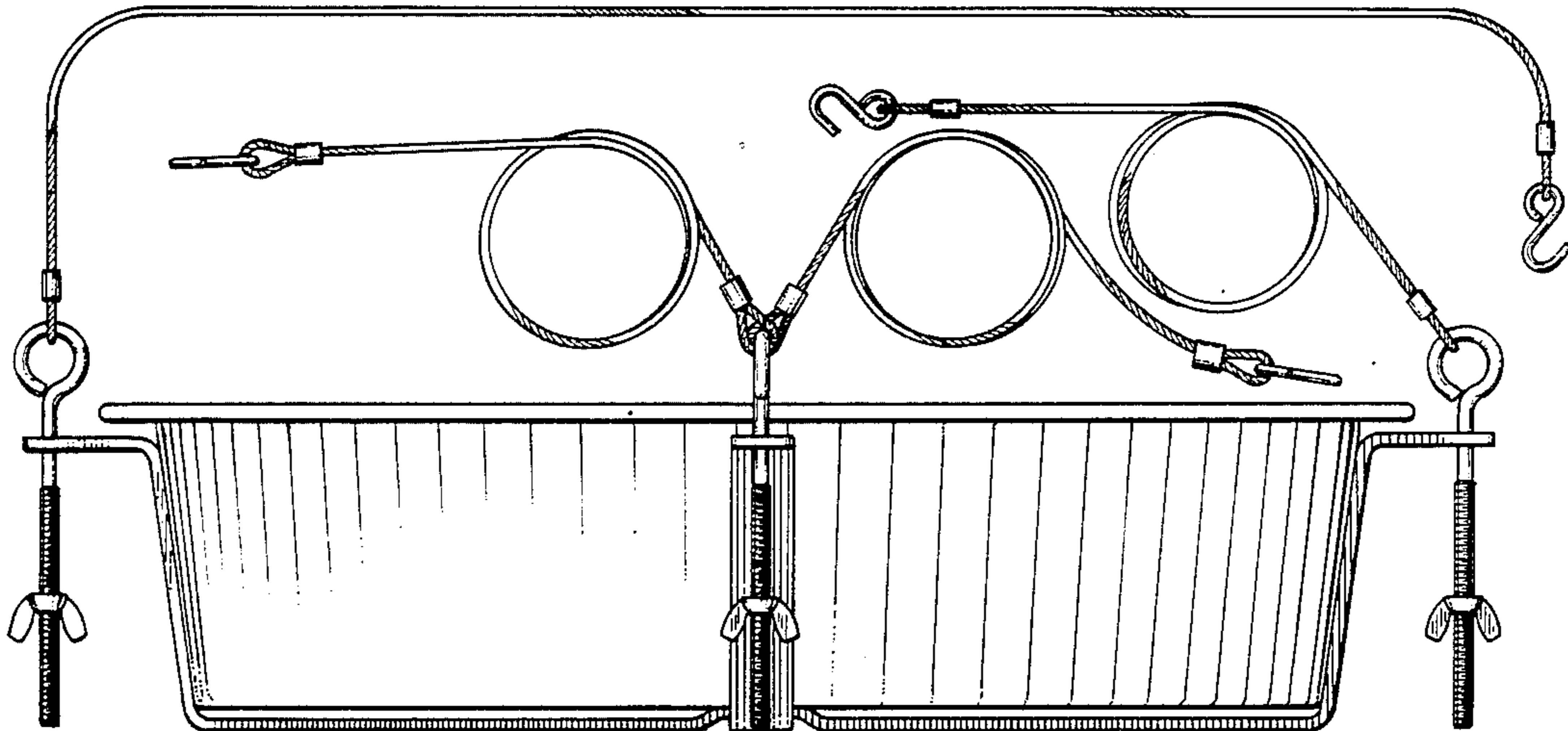
[57] **CLAIM**

The ornamental design for a Christmas tree holder, as shown and described.

DESCRIPTION

FIG. 1 is a front elevational view of a Christmas tree holder showing my new design, all sides being identical, the partially shown pattern representing cable is understood to repeat uniformly over the entire area; FIG. 2 is a top plan view thereof; FIG. 3 is a bottom plan view thereof.

[56] **References Cited**
U.S. PATENT DOCUMENTS
 D. 215,863 11/1969 Fisher et al. D11/130.1
 D. 247,014 1/1978 Chulick D11/130.1
 D. 258,780 4/1981 Wasserman D11/130.1
 2,875,968 3/1959 Ekola D11/130.1



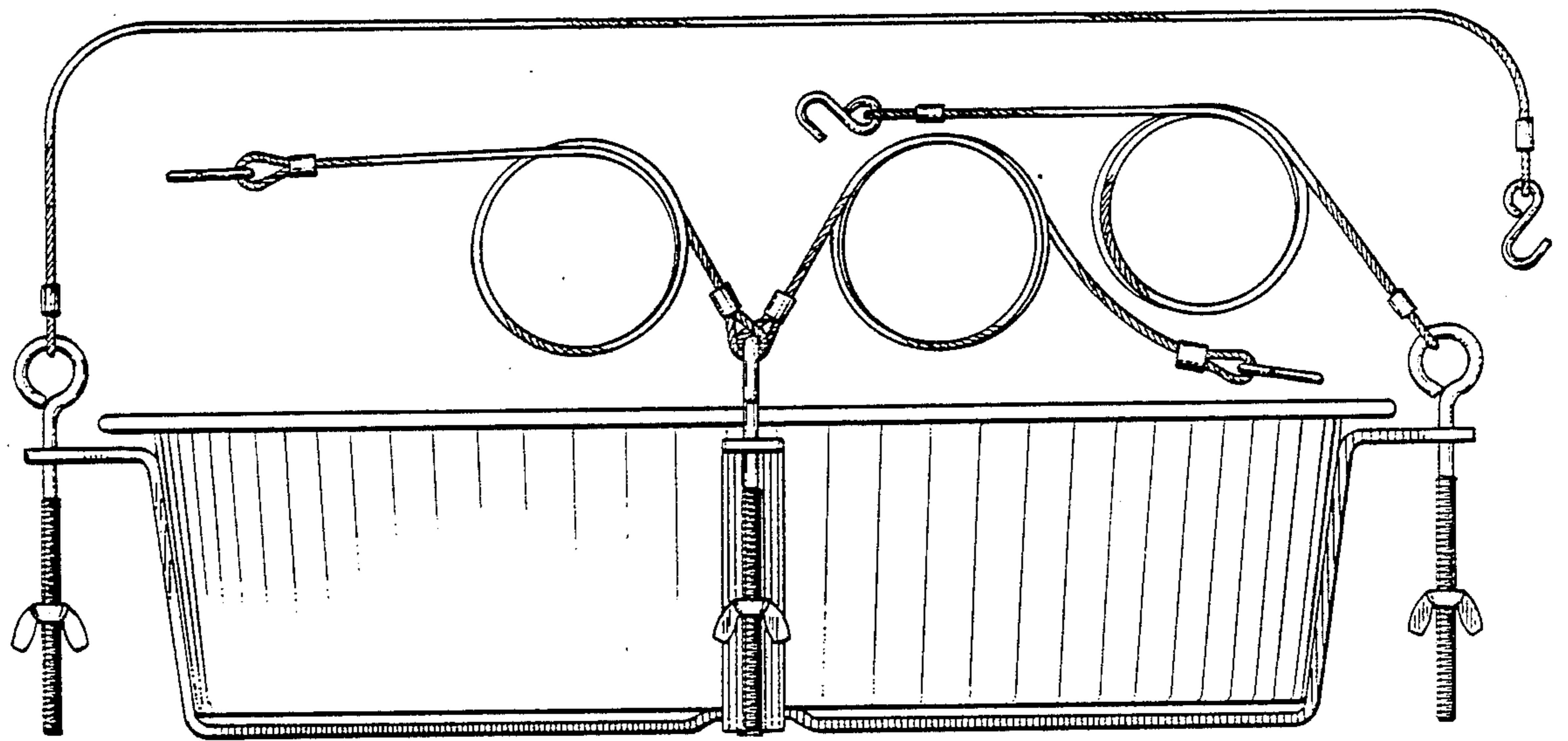


FIG. 1

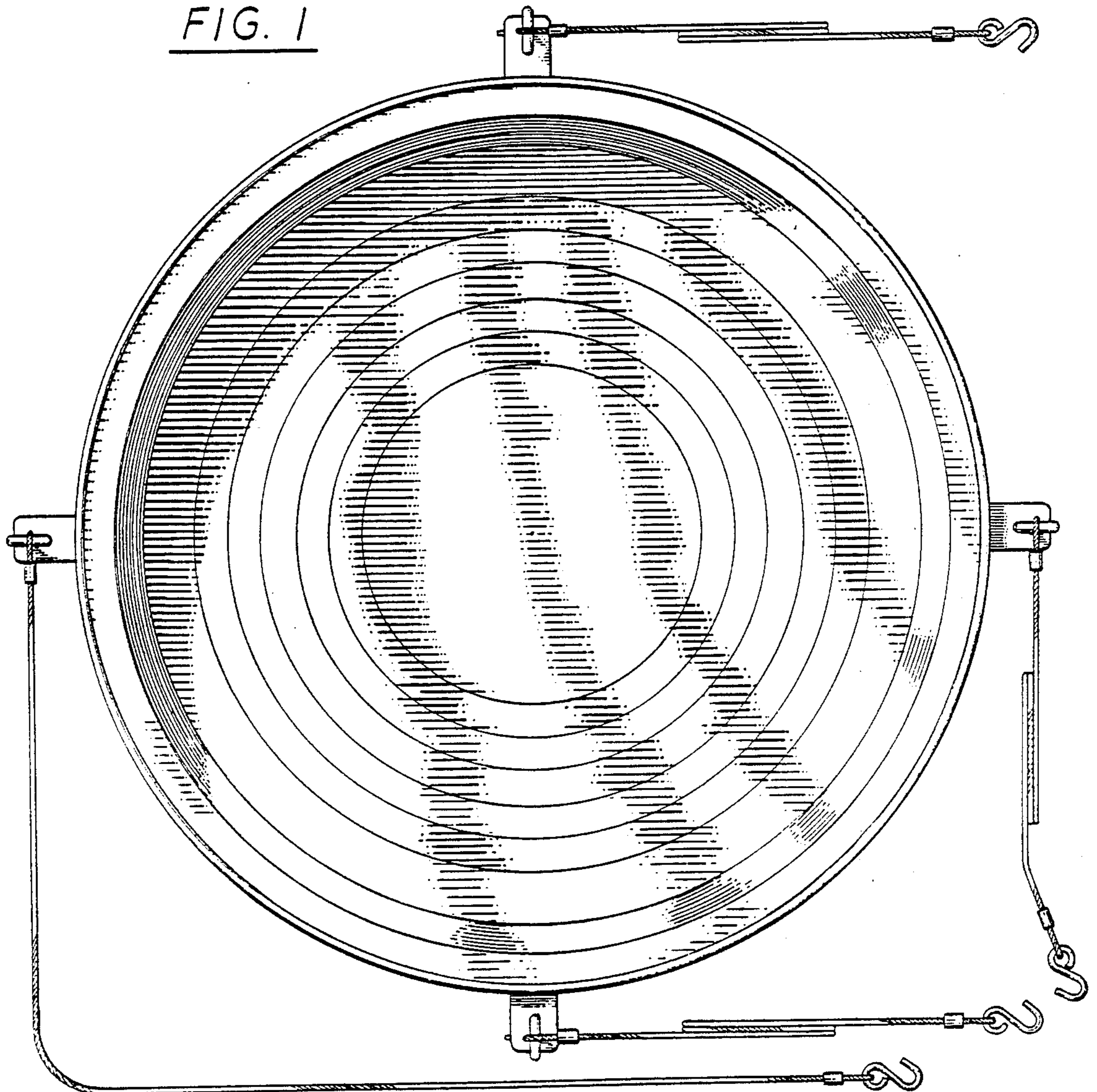


FIG. 2

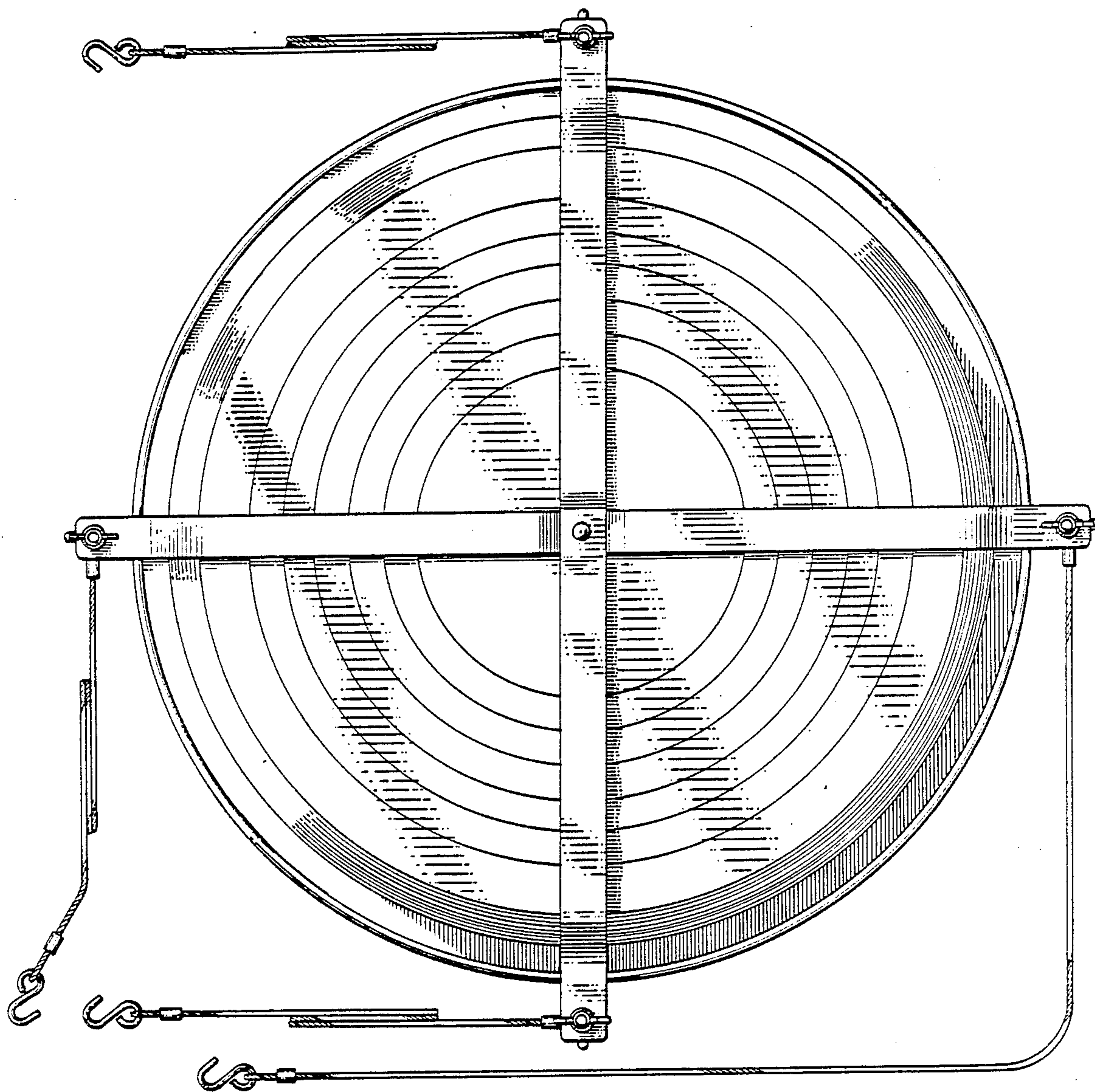


FIG. 3