

# United States Patent [19]

Parker et al.

[11] Patent Number: **Des. 307,559**

[45] Date of Patent: **\*\* May 1, 1990**

[54] **OXYGEN SENSOR**

[75] Inventors: **Frederick A. Parker, Gwynedd Valley; Mark P. Grady, Norristown, both of Pa.**

[73] Assignee: **Seatronics Company, Inc., Hatboro, Pa.**

[\*\*] Term: **14 Years**

[21] Appl. No.: **20,671**

[22] Filed: **Feb. 26, 1987**

[52] U.S. Cl. .... **D10/81**

[58] Field of Search ..... **D10/46, 81; 204/402, 204/406, 408, 409, 415, 432**

[56] **References Cited**

**U.S. PATENT DOCUMENTS**

D. 203,984 3/1966 Roth ..... D10/81  
D. 239,470 4/1976 Wright et al. .... D10/81 X  
3,322,662 5/1967 Mackereth ..... 204/415

3,546,086 12/1970 Sayles ..... 204/408  
4,017,373 4/1977 Shaw et al. .... 204/432  
4,207,161 6/1980 Pegnim ..... 204/408  
4,277,322 7/1981 Kane ..... 204/408  
4,324,632 4/1982 Tantram et al. .... 204/415  
4,435,268 3/1984 Martin et al. .... 204/408  
4,695,361 9/1987 Grady ..... 204/415

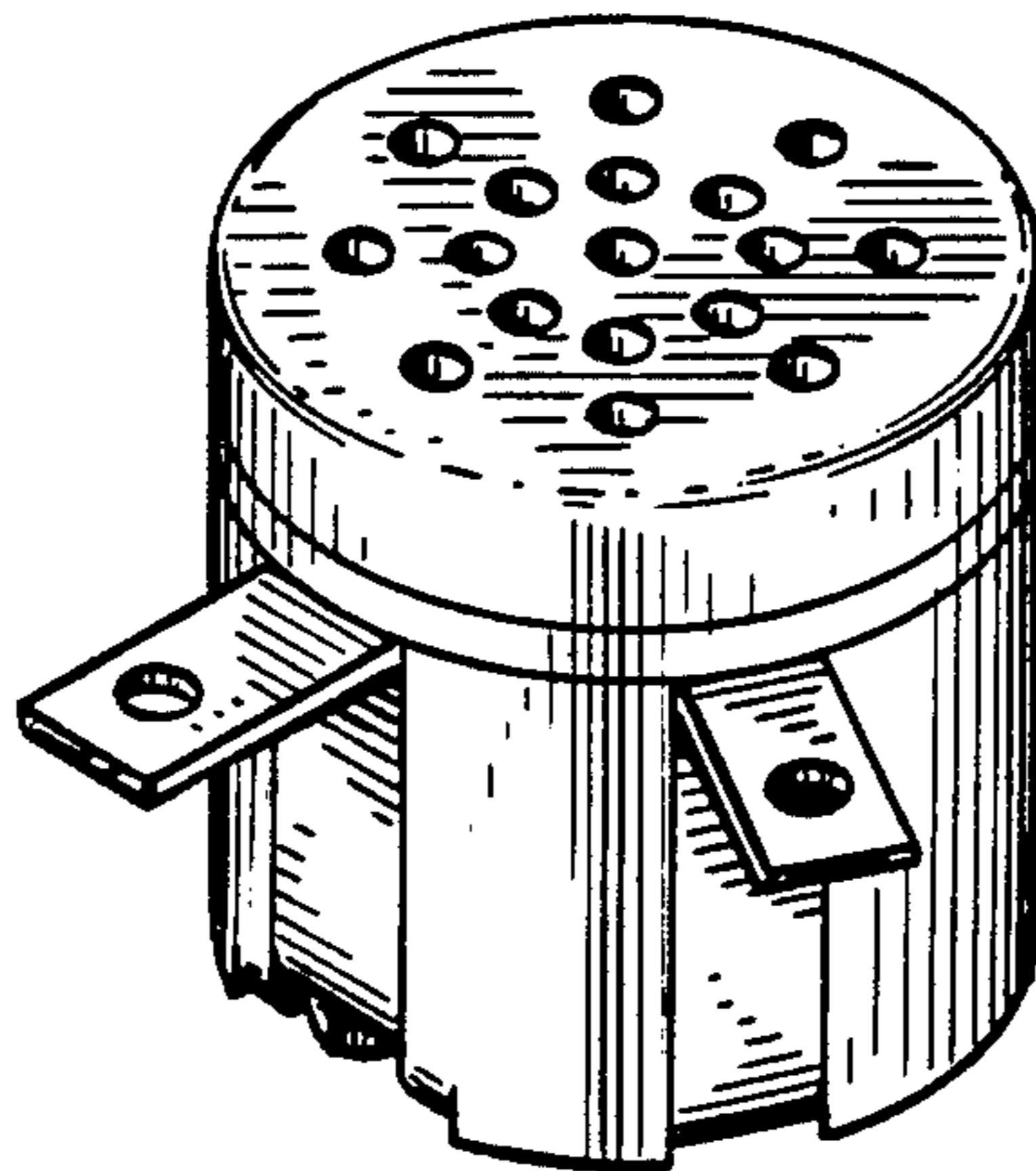
*Primary Examiner*—Nelson C. Holtje  
*Assistant Examiner*—Antoine D. Davis  
*Attorney, Agent, or Firm*—William H. Eilberg

[57] **CLAIM**

The ornamental design for an oxygen sensor, as shown and described.

**DESCRIPTION**

FIG. 1 is a top and front perspective view of an oxygen sensor showing our new design;  
FIG. 2 is a top plan view;  
FIG. 3 is a bottom plan view;  
FIG. 4 is a rear elevational view; and  
FIG. 5 is a front elevational view thereof.



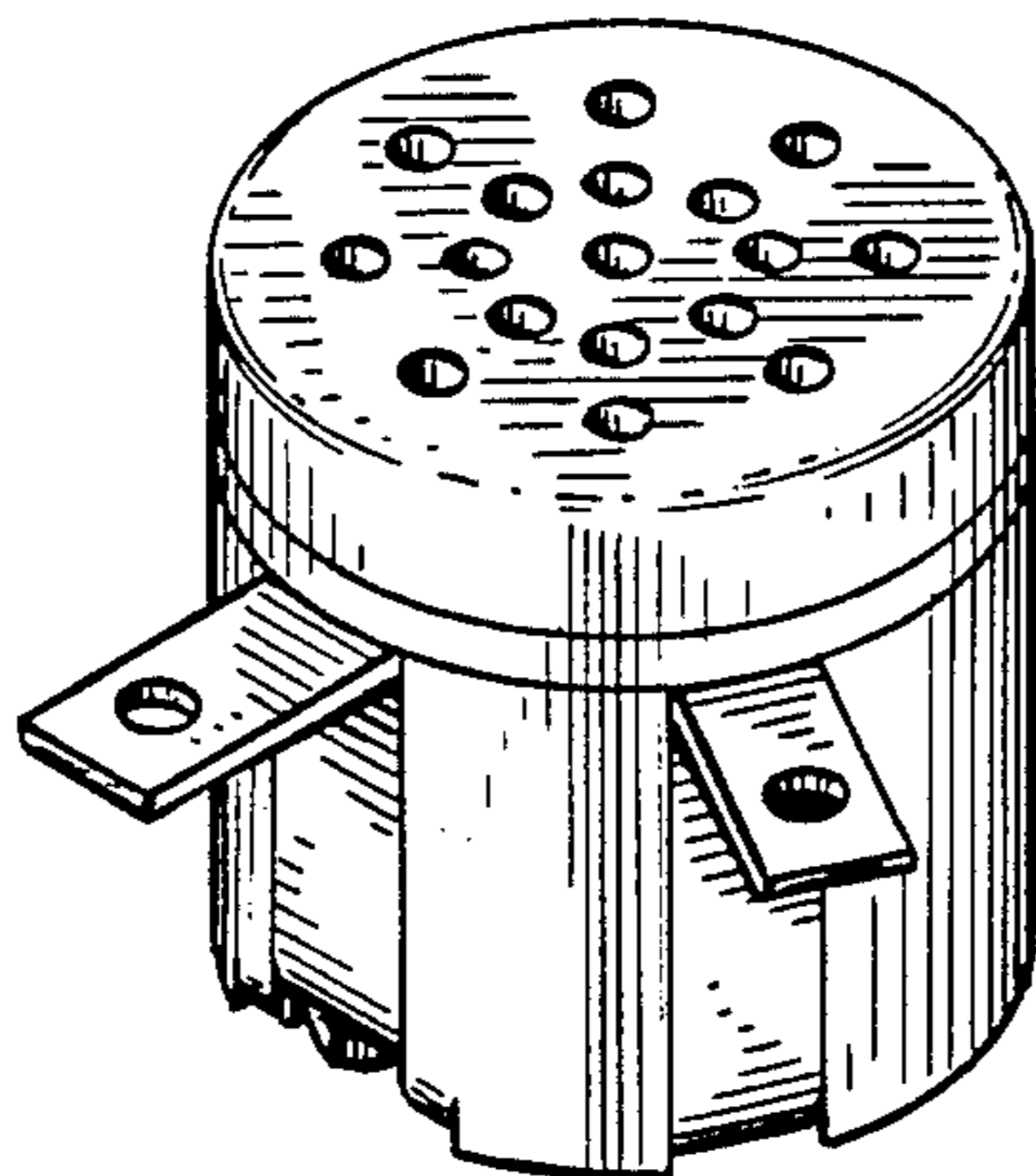


Fig. 1

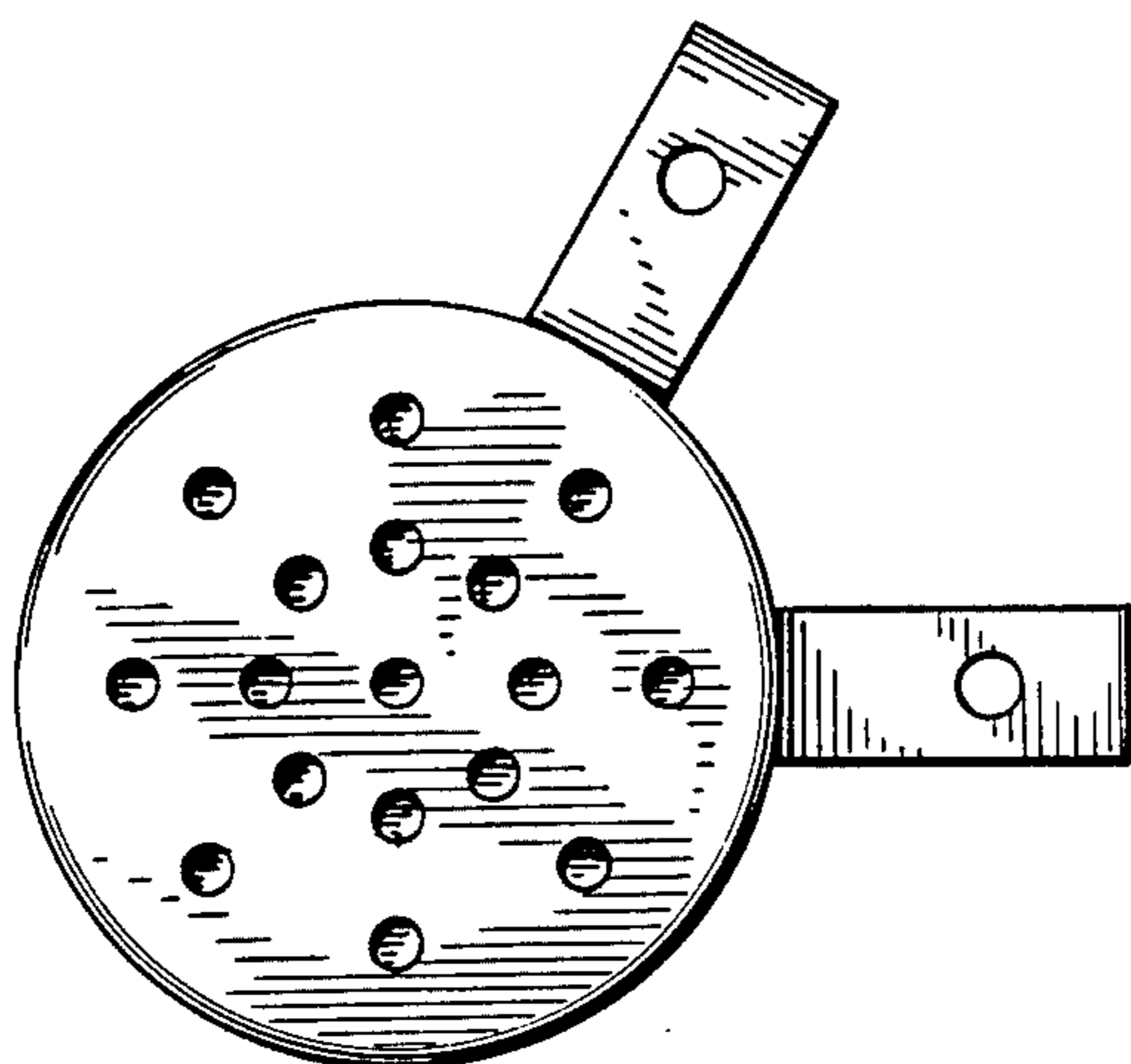


Fig. 2

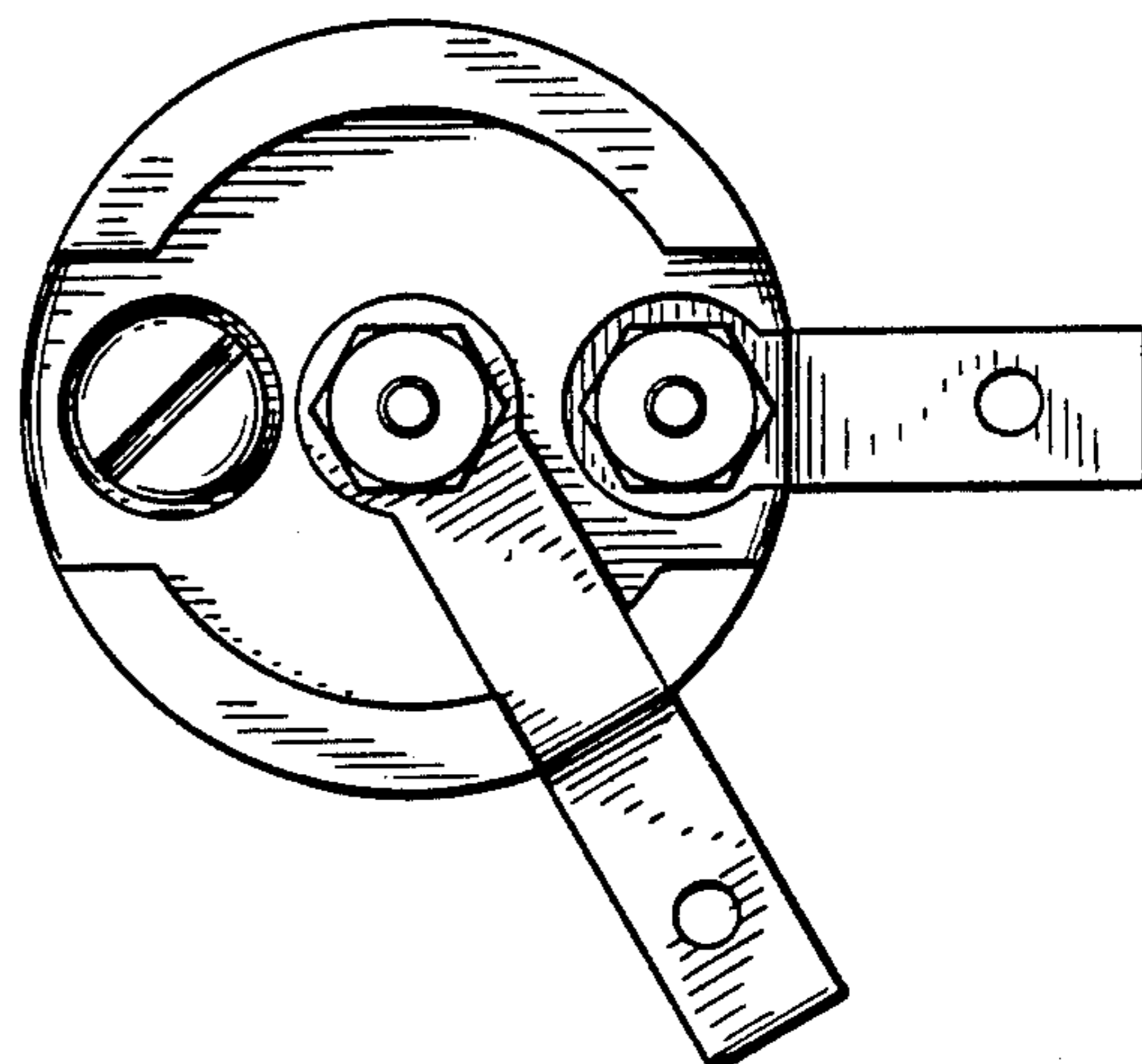


Fig. 3

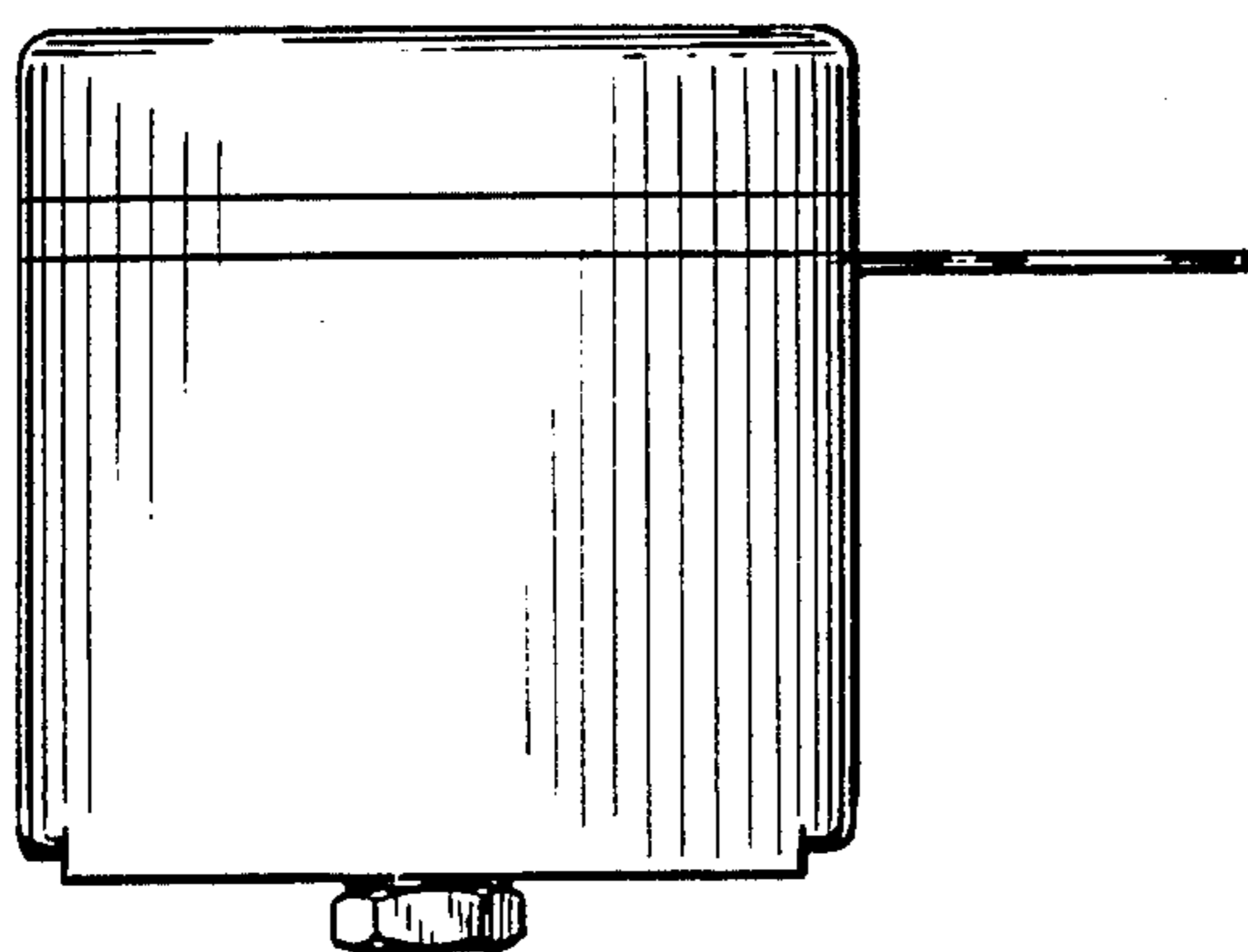


Fig. 4

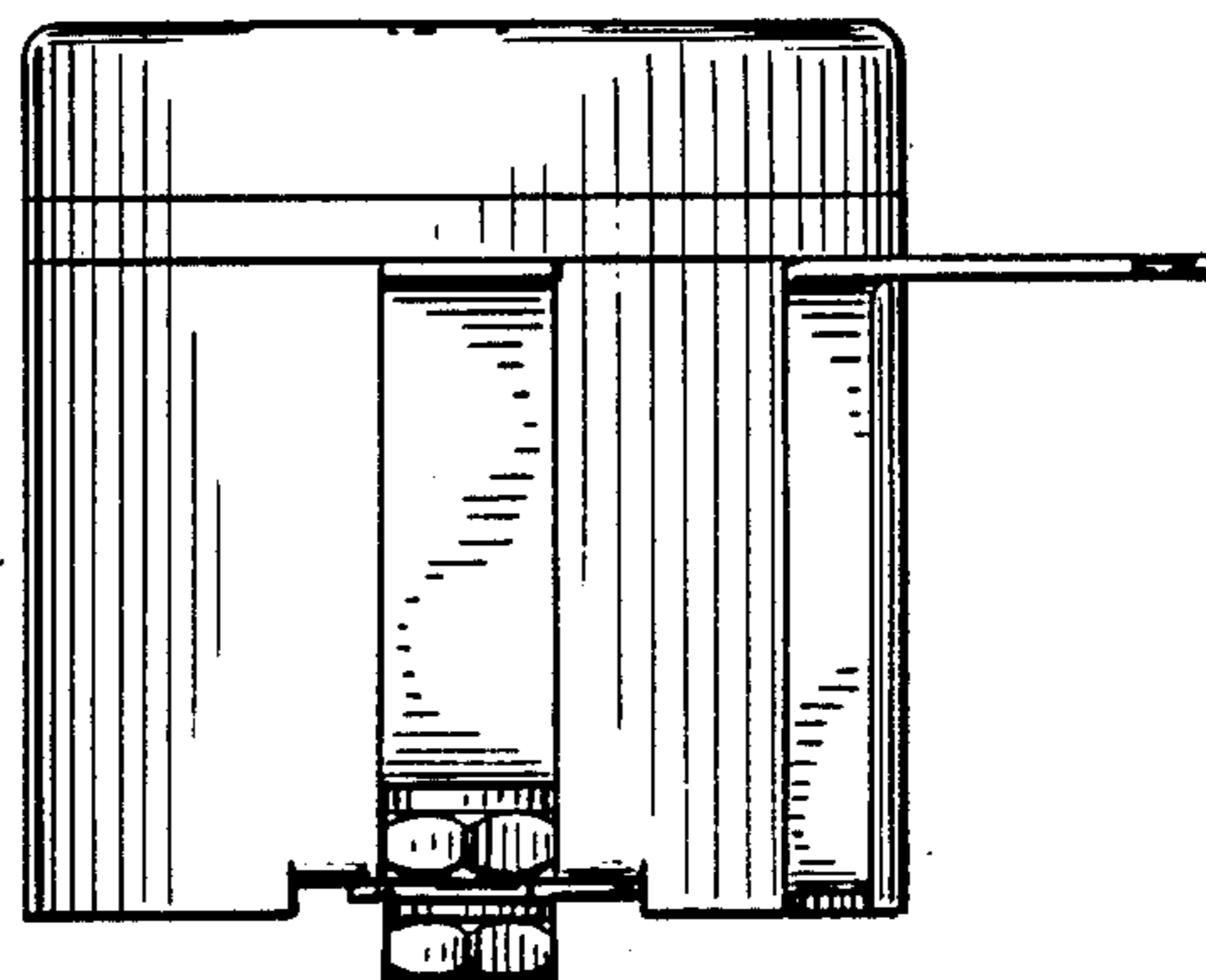


Fig. 5