

[54] LEAK SENSOR HOUSING

4,682,911 7/1987 Moreland 405/53

[76] Inventor: Bradley K. Frahm, 2101 Cedar Ridge Dr., Stockton, Calif. 95201

Primary Examiner—Nelson C. Holtje
Assistant Examiner—Antoine D. Davis
Attorney, Agent, or Firm—Lothrop & West

[**] Term: 14 Years

[21] Appl. No.: 140,835

[57] CLAIM

[22] Filed: Jan. 4, 1988

The ornamental design for a leak sensor housing, as shown and described.

[52] U.S. Cl. D10/46

[58] Field of Search D10/46, 99, 101; 285/13, 45; 405/36, 42, 53, 150, 151, 152, 153, 154, 157, 160, 118, 124; 137/312, 313; 73/40.5 R, 49.1, 49.2; D15/9.1, 150, 151, 152

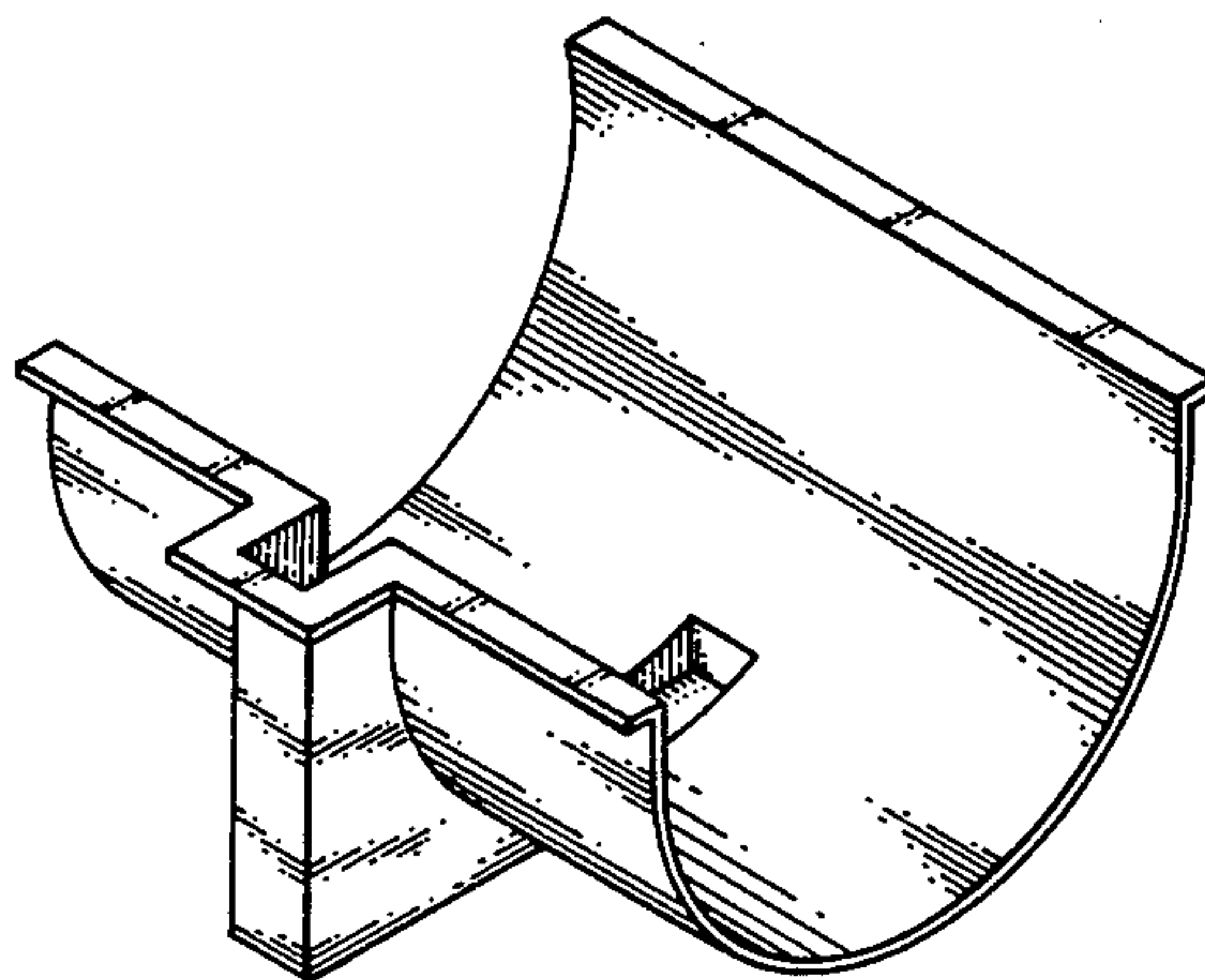
DESCRIPTION

[56] References Cited

U.S. PATENT DOCUMENTS

4,543,013 9/1985 Wagner et al. 405/128
4,653,958 3/1987 Anderson et al. 405/157

FIG. 1 is a top, front and left side perspective view of a leak sensor housing, showing my new design;
FIG. 2 is a left side elevational view;
FIG. 3 is a front elevational view, the rear being a rear image;
FIG. 4 is a right side elevational view;
FIG. 5 is a top plan view; and,
FIG. 6 is a bottom plan view, thereof.



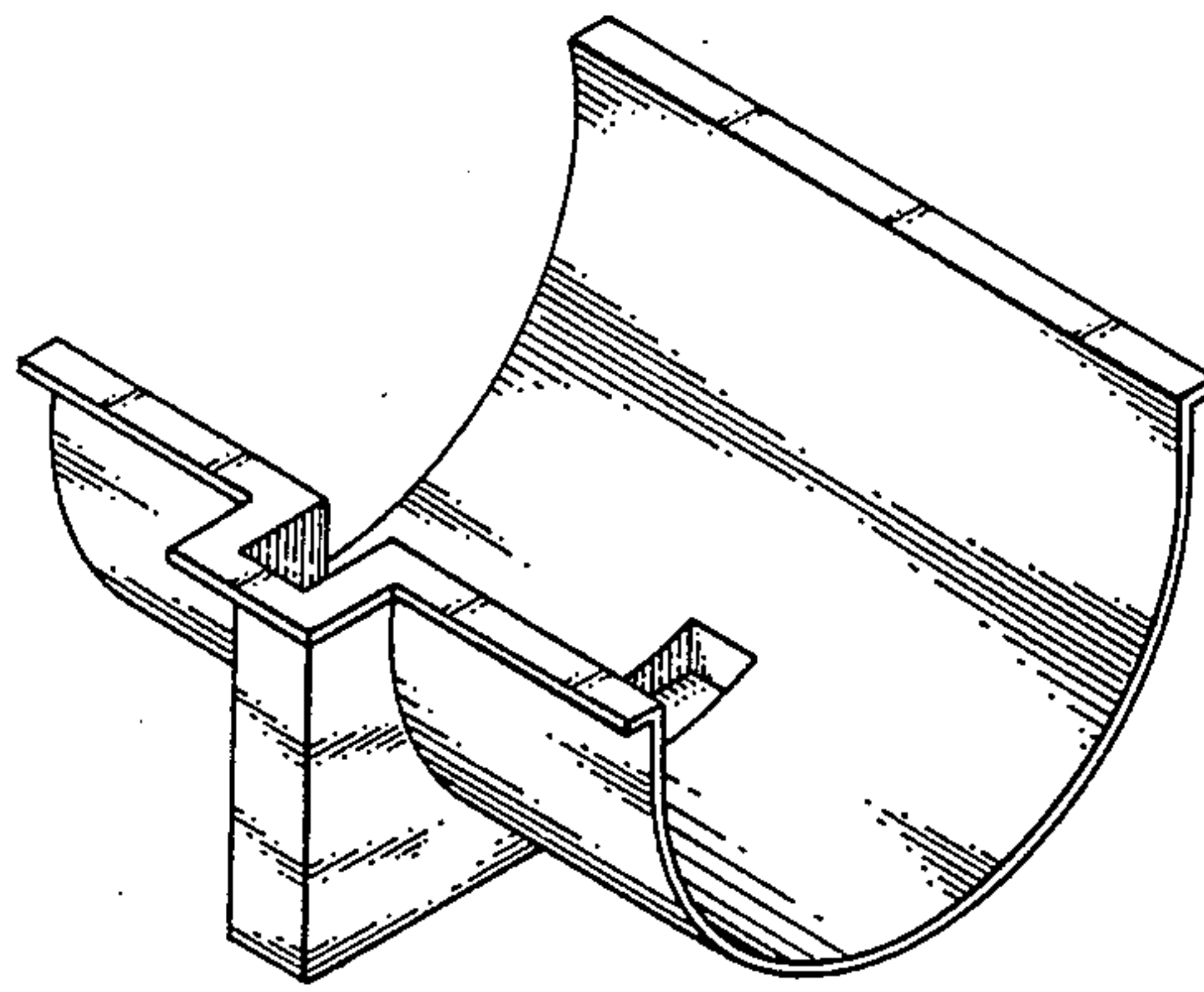


FIG. 1.

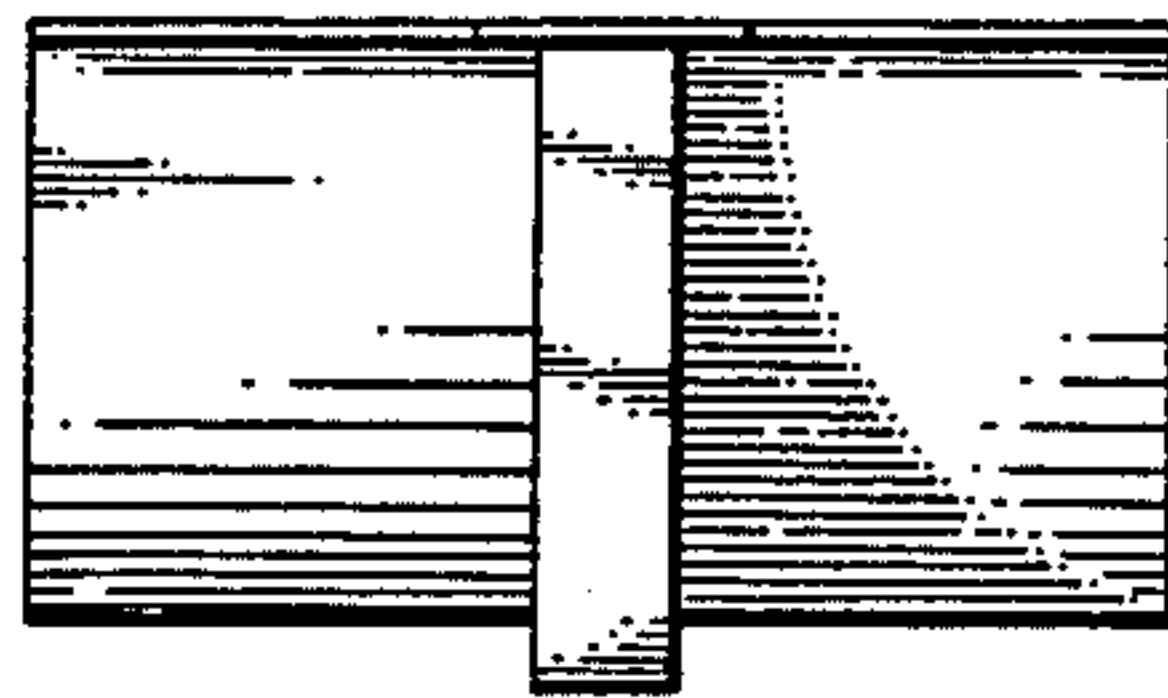


FIG. 2.

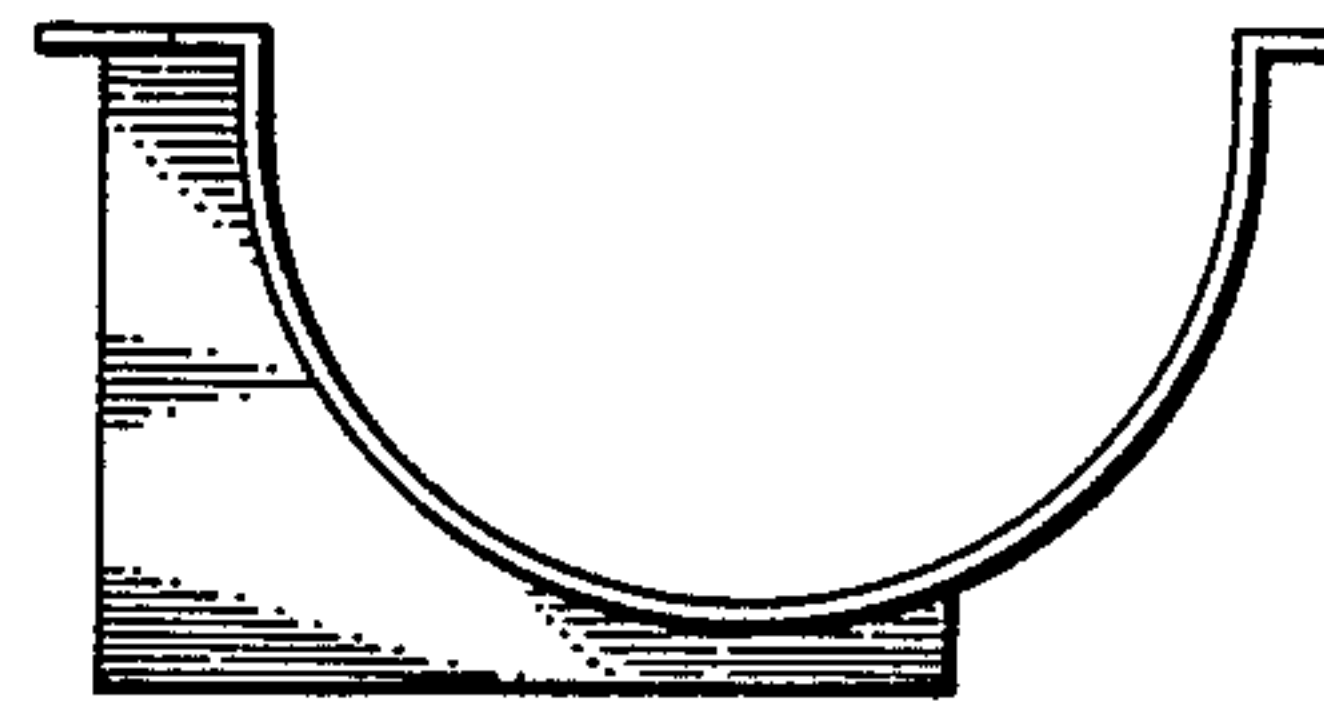


FIG. 3.

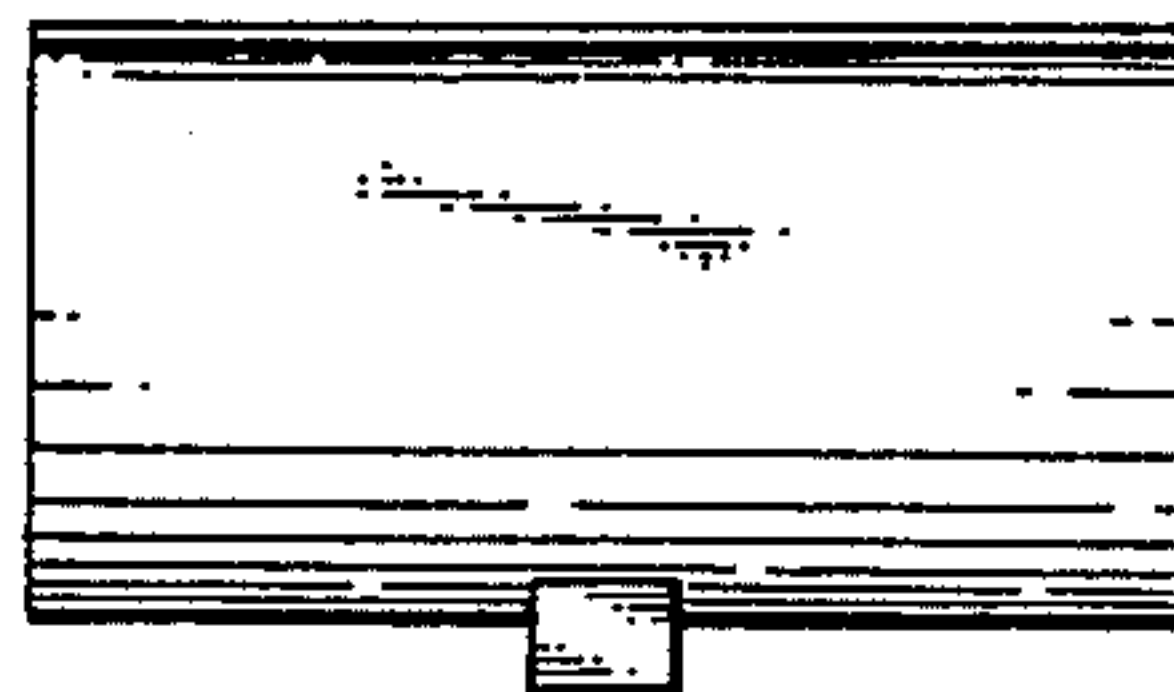


FIG. 4.

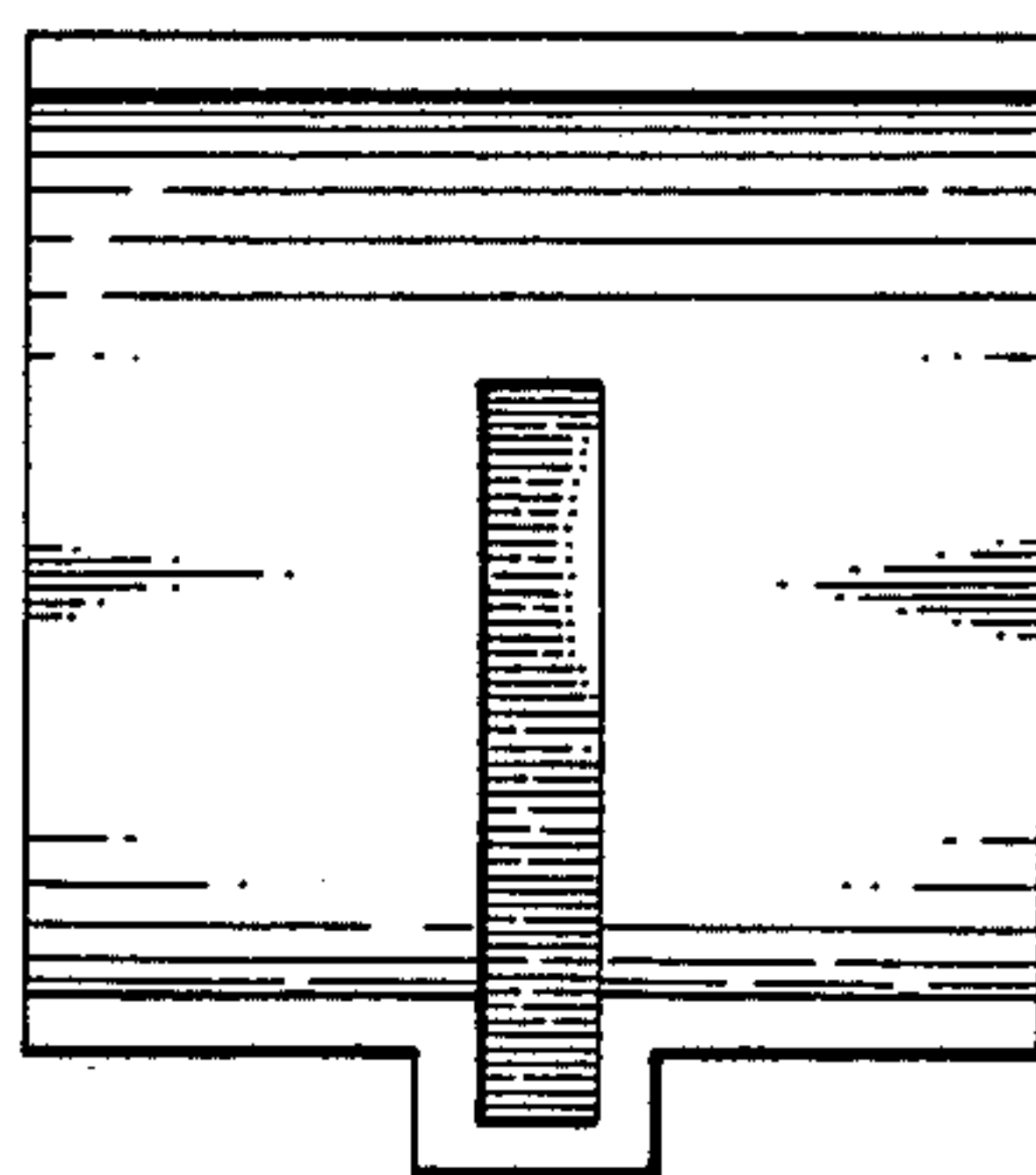


FIG. 5.

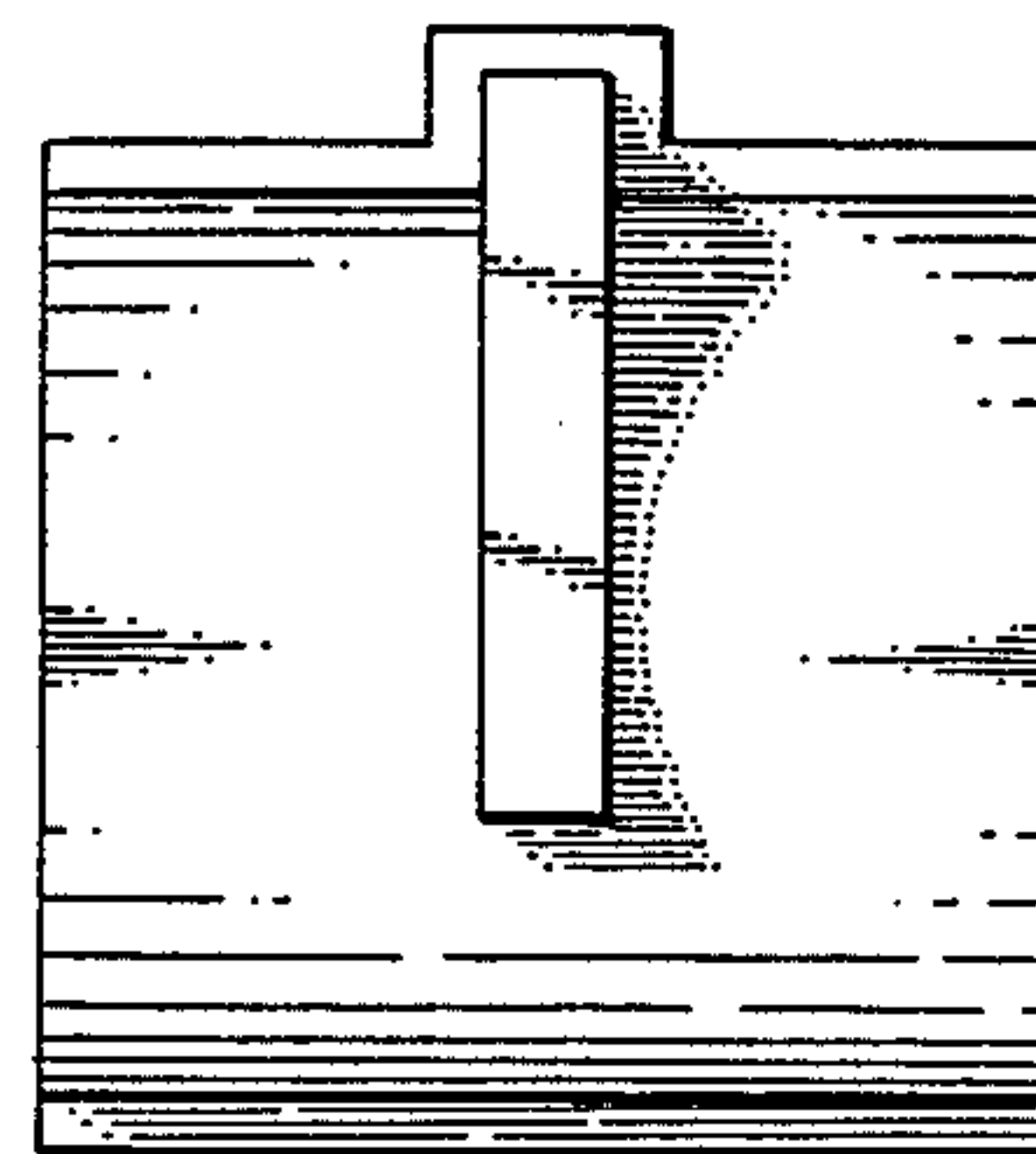


FIG. 6.