

[54] REFLECTANCE METER

4,632,559 12/1986 Brunsting 356/416

[75] Inventor: Kenneth D. Collister, Elkhart, Ind.

Primary Examiner—Nelson C. Holtje

[73] Assignee: Miles Inc., Elkhart, Ind.

Assistant Examiner—Antoine D. Davis

[**] Term: 14 Years

Attorney, Agent, or Firm—Roger N. Coe

[21] Appl. No.: 159,059

[57] CLAIM

[22] Filed: Feb. 22, 1988

The ornamental design for the reflectance meter, as shown and described.

[52] U.S. Cl. D10/46

DESCRIPTION

[58] Field of Search D10/46; 356/402, 416, 356/445, 448; D28/118

[56] References Cited

U.S. PATENT DOCUMENTS

D. 261,623	11/1981	Collister et al.	D10/46
D. 282,644	2/1986	Collister	D10/46
D. 283,107	3/1986	Collister	D10/46
D. 292,277	10/1987	Collister et al.	D10/46
3,846,027	11/1974	Hyman et al.	356/418
4,266,877	5/1981	Bodart	356/418
4,373,819	2/1983	Pallotta	356/445

FIG. 1 is a top plan, front and right side perspective view of a reflectance meter showing my new design, with the lid open;

FIG. 2 is a top plan, front and right side perspective view, with the lid closed;

FIG. 3 is a top plan view;

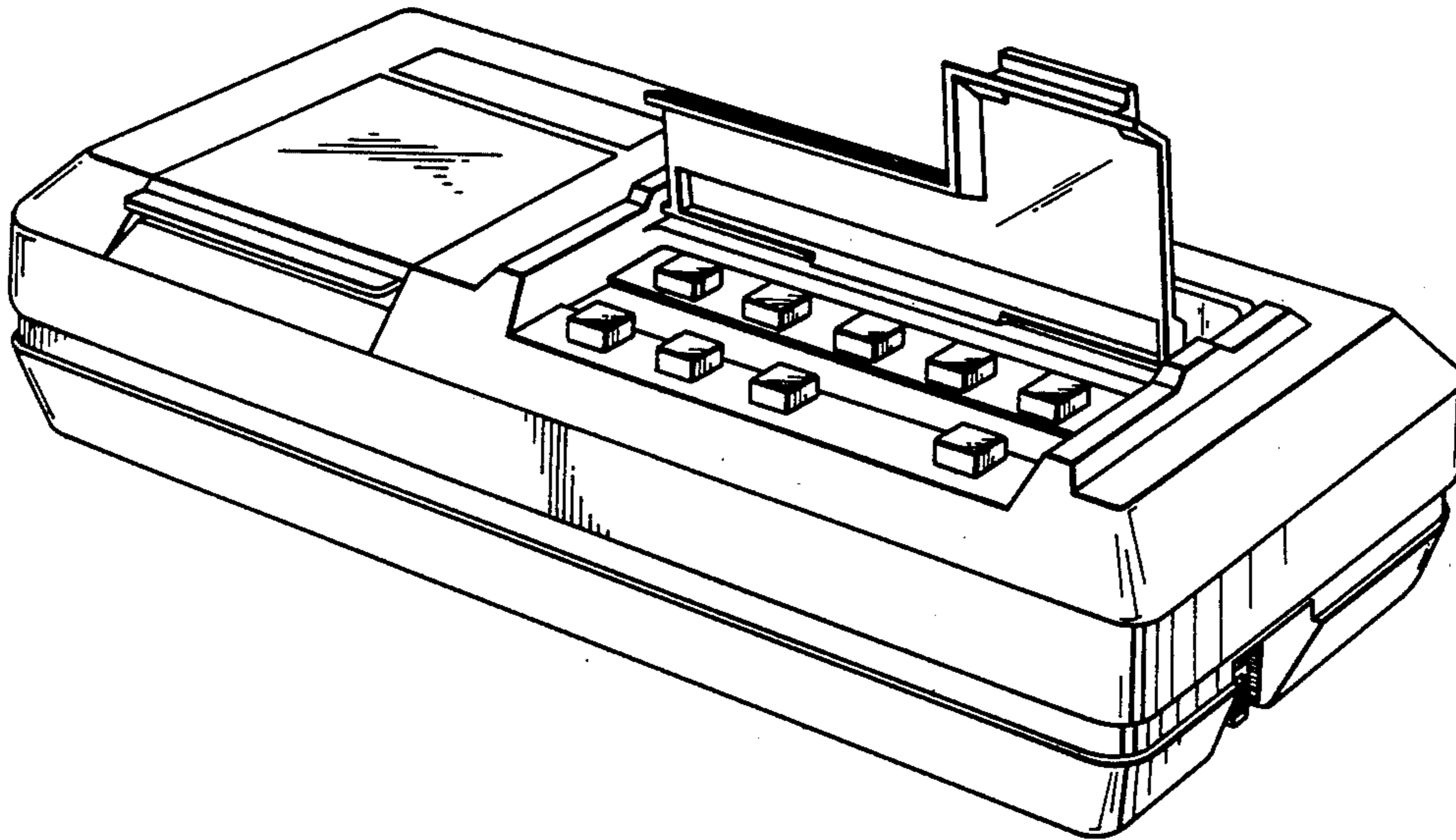
FIG. 4 is a front elevational view;

FIG. 5 is a rear elevational view;

FIG. 6 is a bottom plan view;

FIG. 7 is a right side elevational view;

FIG. 8 is a left side elevational view.



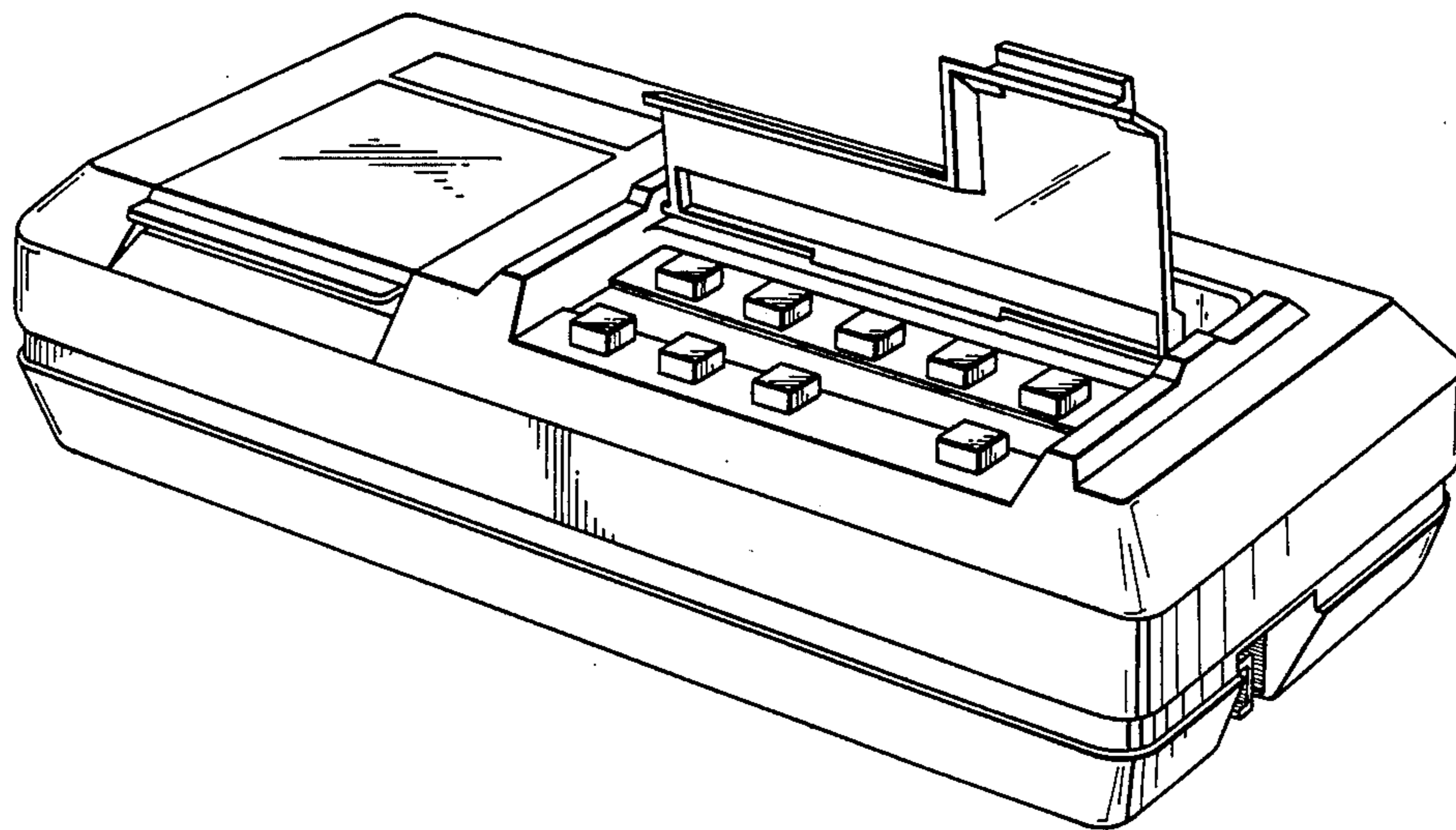


FIG. 1

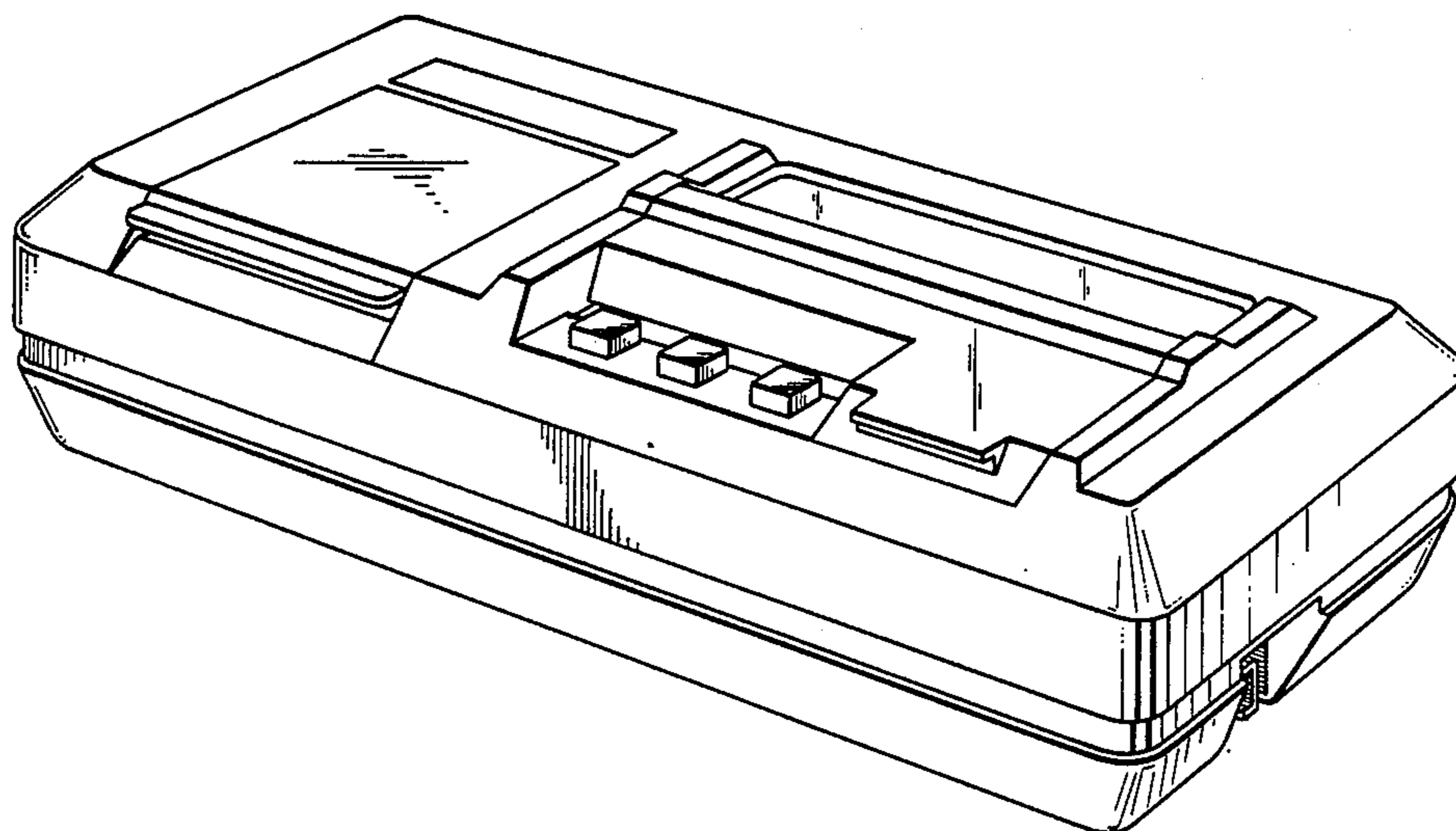


FIG. 2

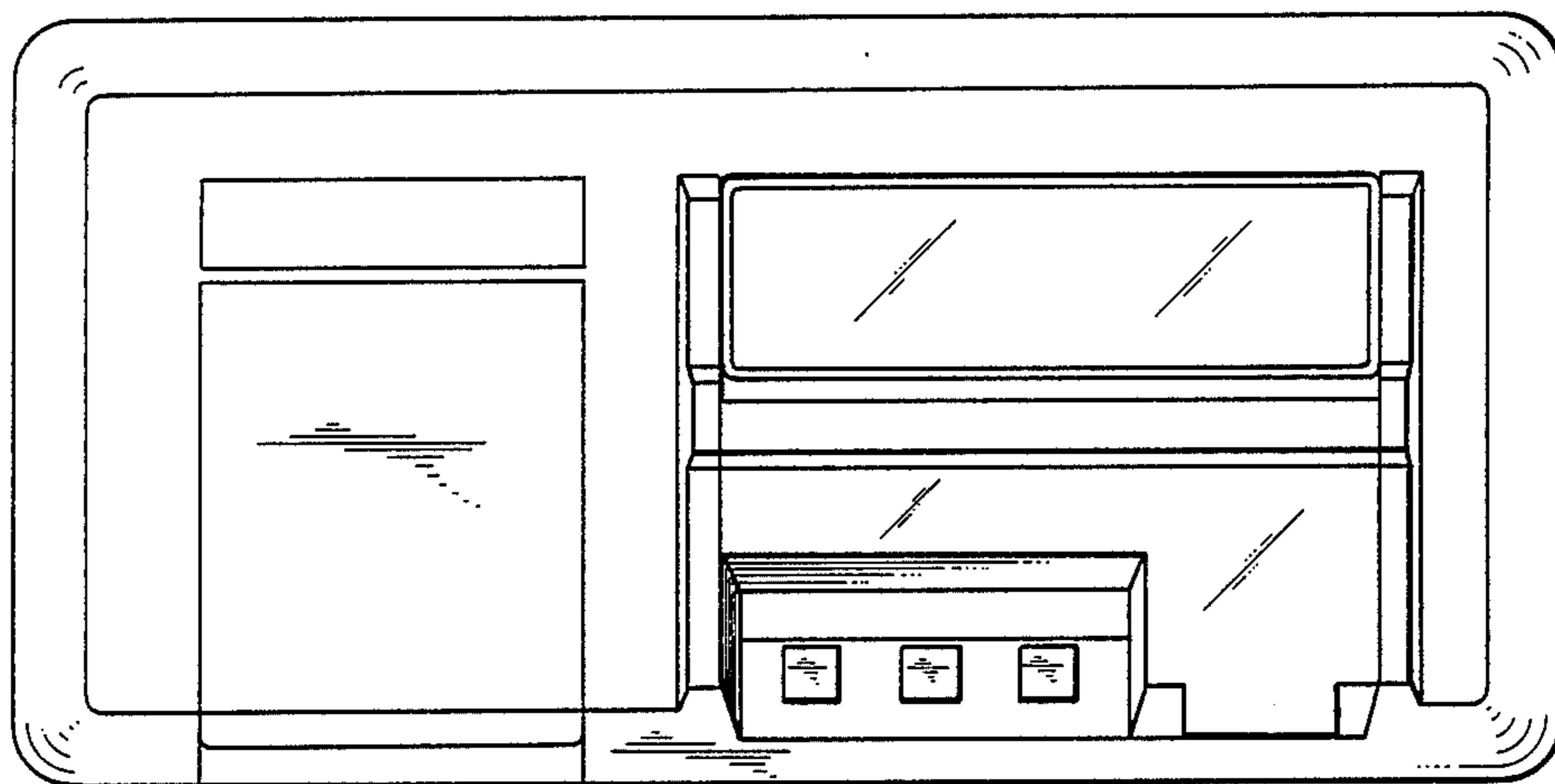


FIG. 3

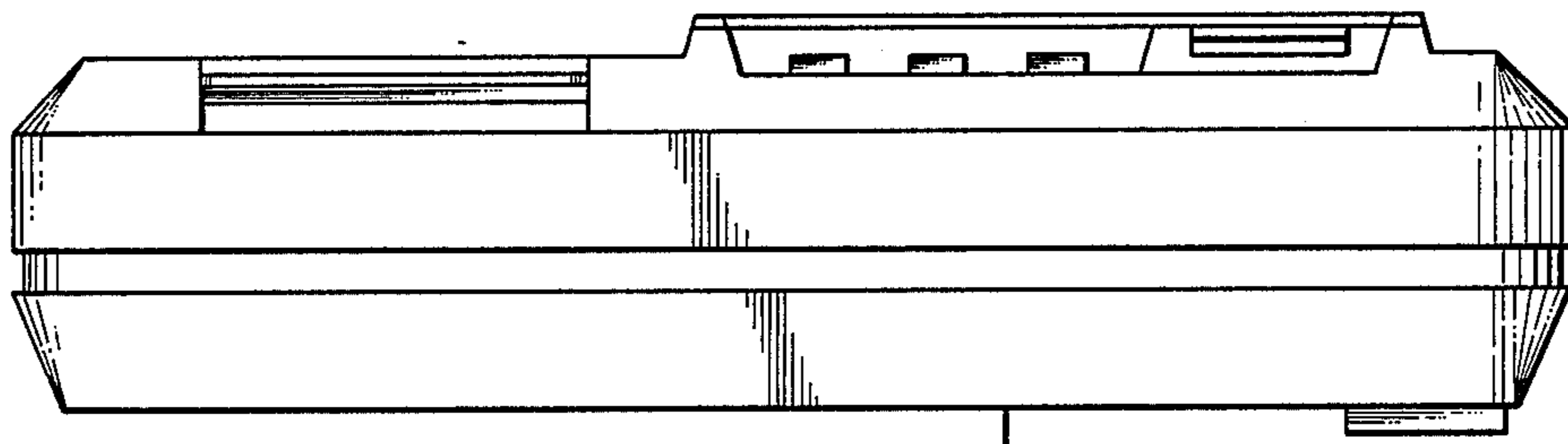


FIG. 4

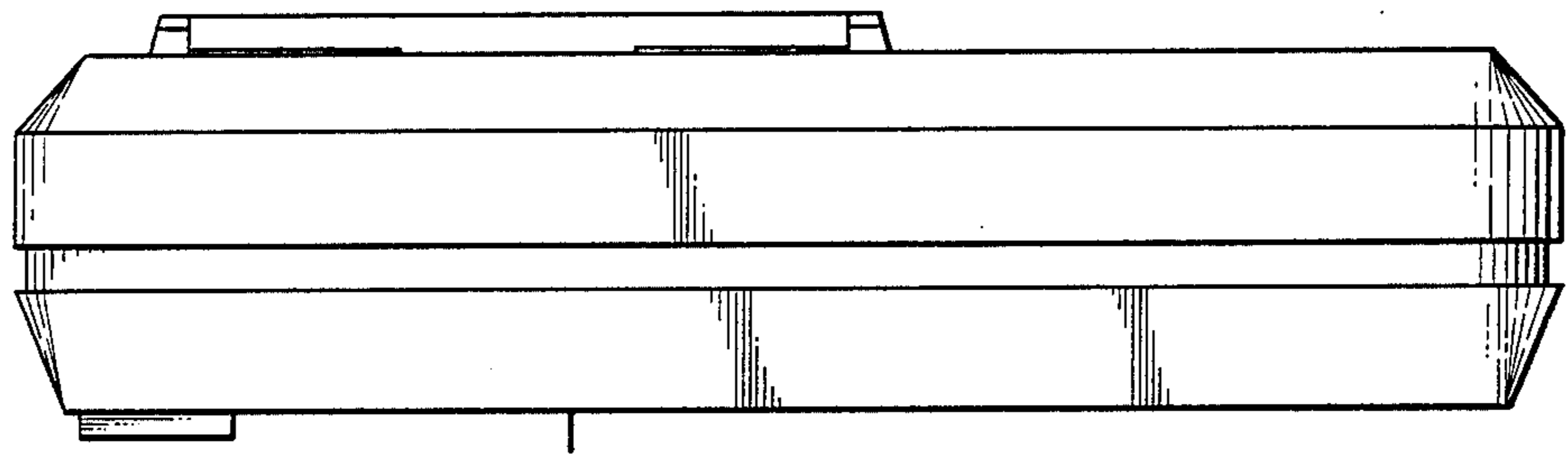


FIG. 5

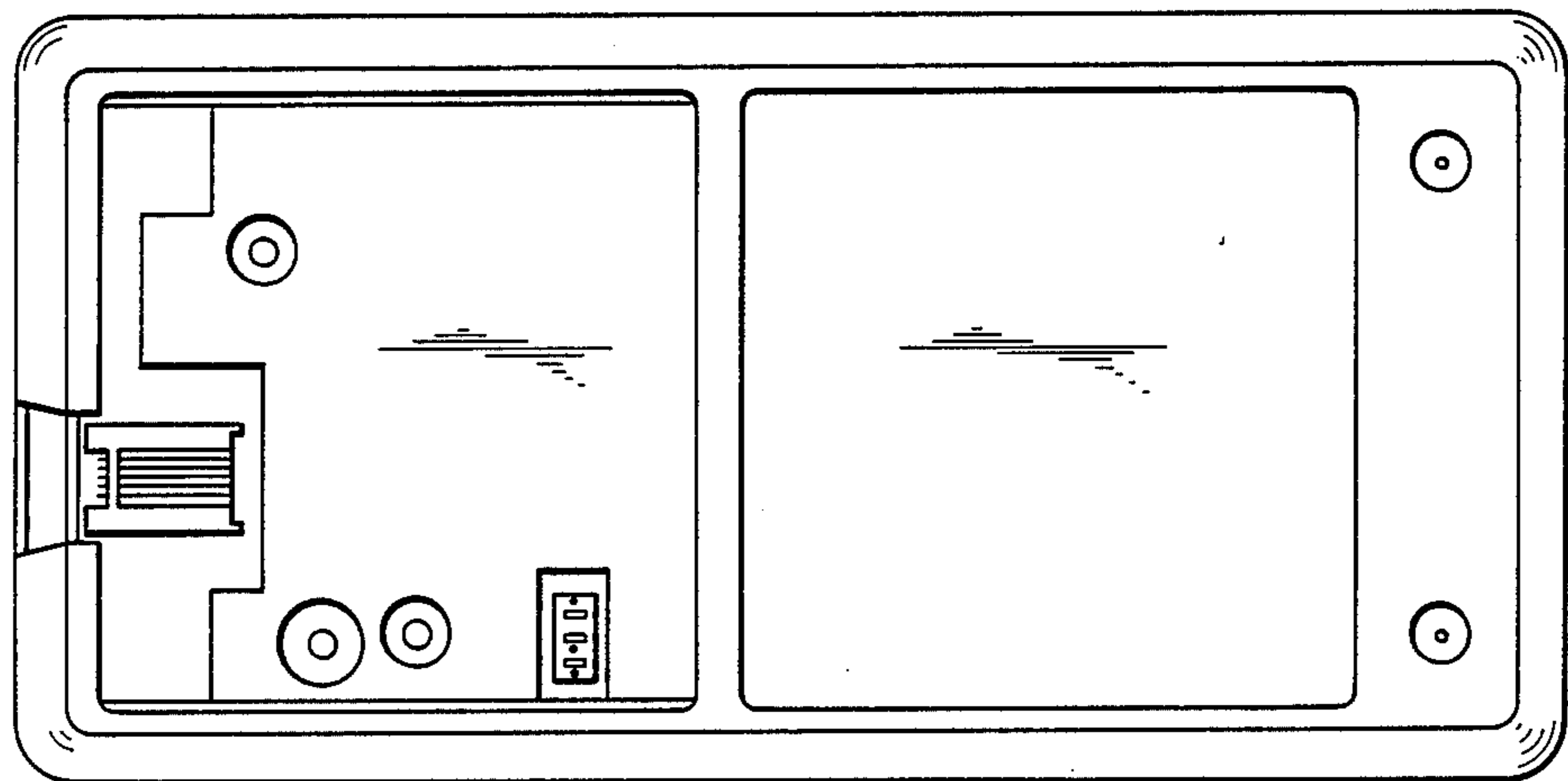


FIG. 6

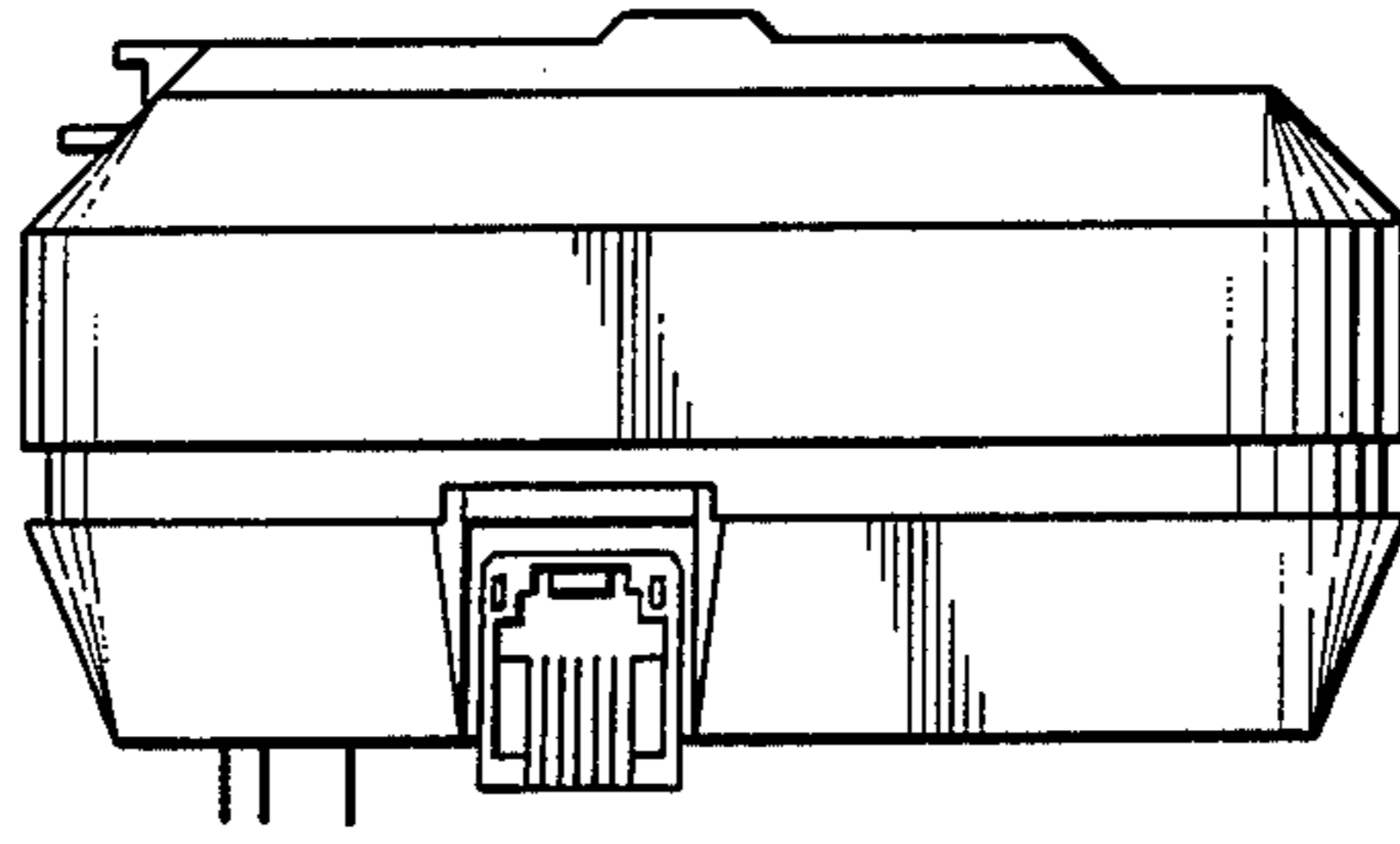


FIG. 7

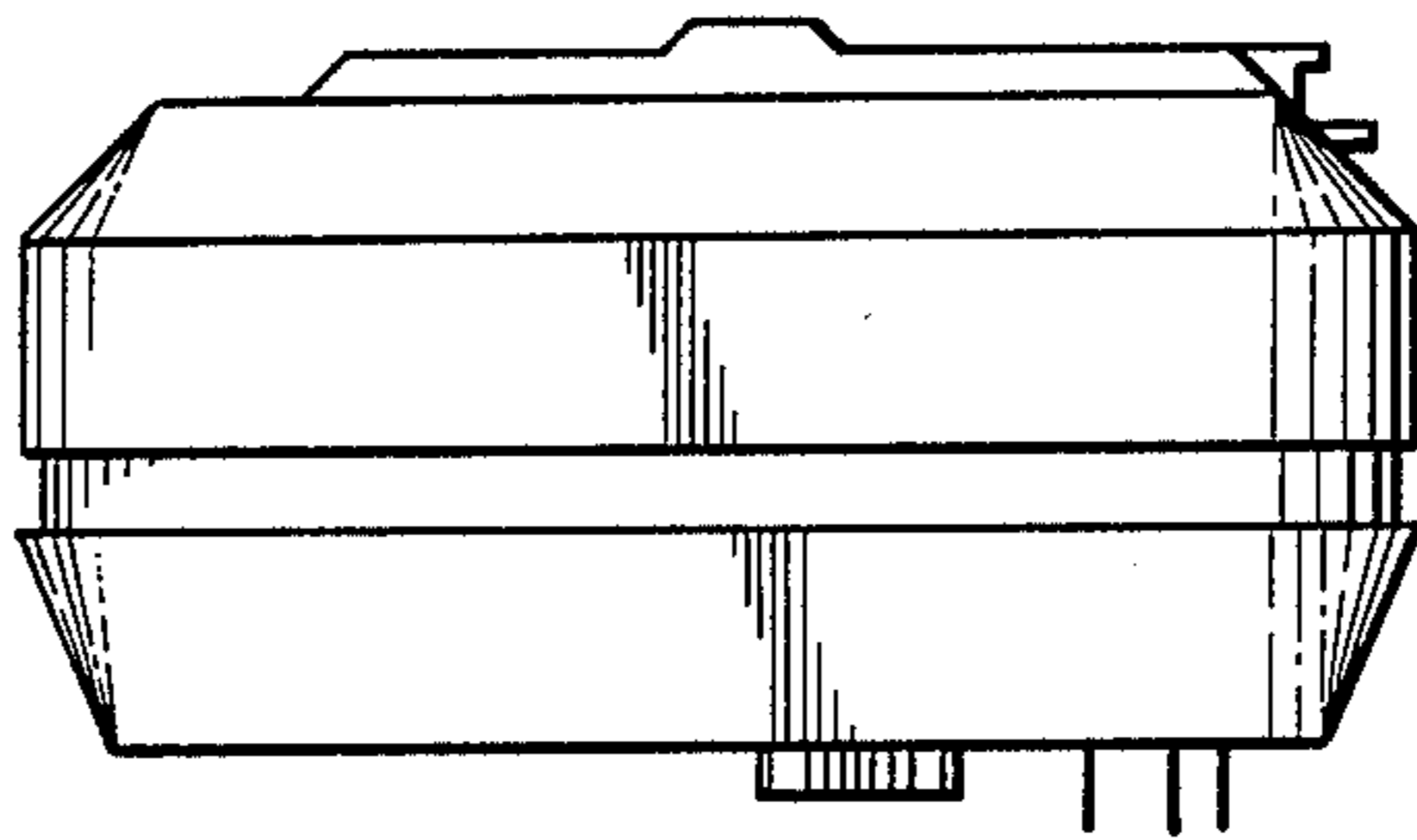


FIG. 8