

[54] DISPENSING NOZZLE FOR PLASTIC BAGS

[75] Inventors: Edwin W. Haenni; Mickey M. Wilkes, both of Hartsville, S.C.

[73] Assignee: Sonoco Products Co., Hartsville, S.C.

[\*\*] Term: 14 Years

[21] Appl. No.: 35,695

[22] Filed: Apr. 7, 1987

[52] U.S. Cl. .... D9/447

[58] Field of Search ..... D9/447, 338, 373, 375, D9/435, 442, 438, 436, 440, 447, 449; D28/7; 383/80; 222/478, 287, 531, 537, 548, 551, 568, 480, 528, 534, 565, 567, 572, 556; 21/387; 215/304; 206/307, 309

[56] References Cited

U.S. PATENT DOCUMENTS

D. 142,849	11/1945	Fredell .....	D9/436
3,269,593	8/1966	Lodewick et al. .	
3,433,378	3/1969	Ross .....	D9/436
3,868,052	2/1975	Rockefeller .	

FOREIGN PATENT DOCUMENTS

0352620	8/1905	France .....	383/80
---------	--------	--------------	--------

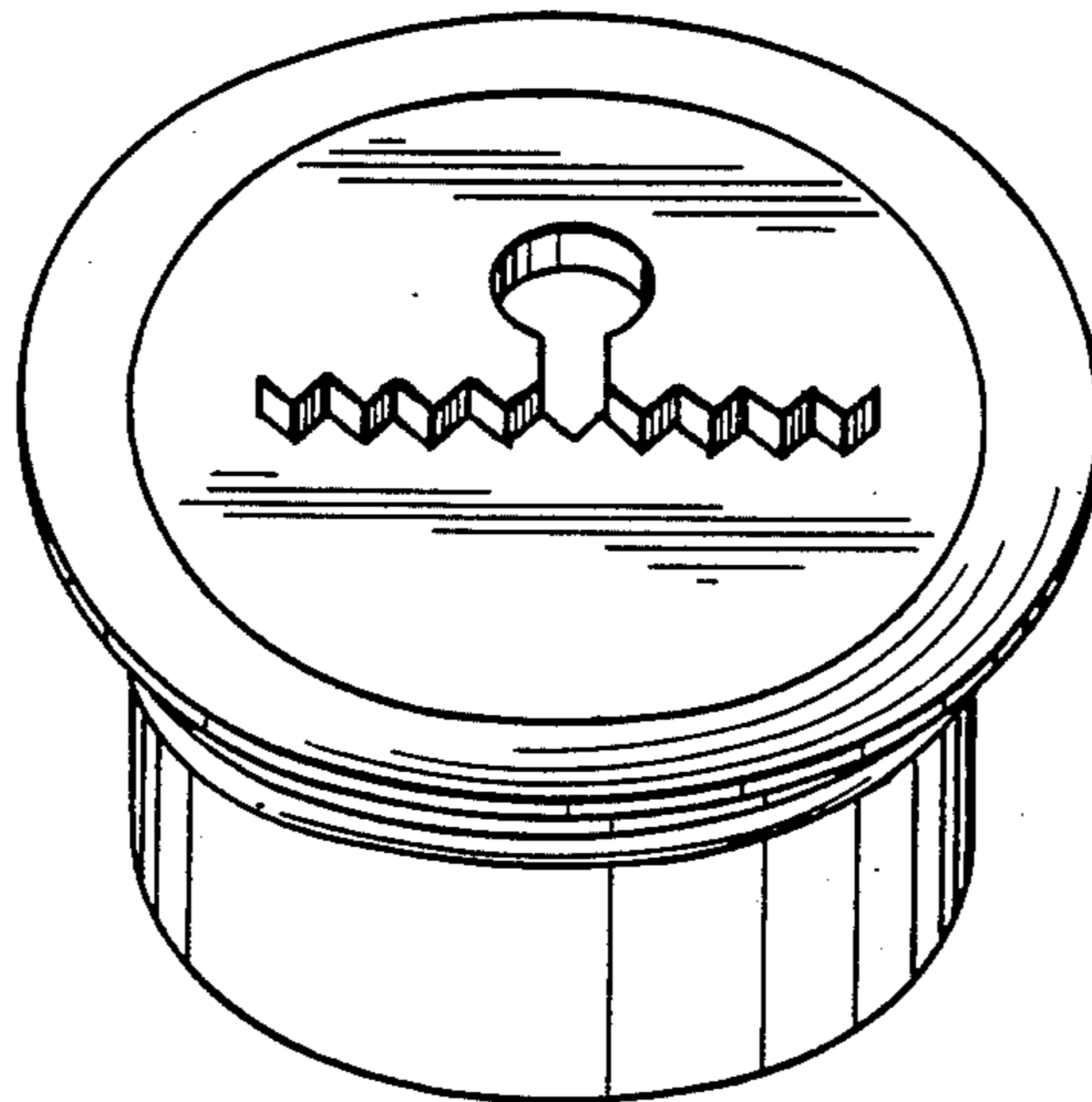
Primary Examiner—Louis S. Zarfes  
Assistant Examiner—R. T. Seifert  
Attorney, Agent, or Firm—Dennison, Meserole, Pollack & Scheiner

[57] CLAIM

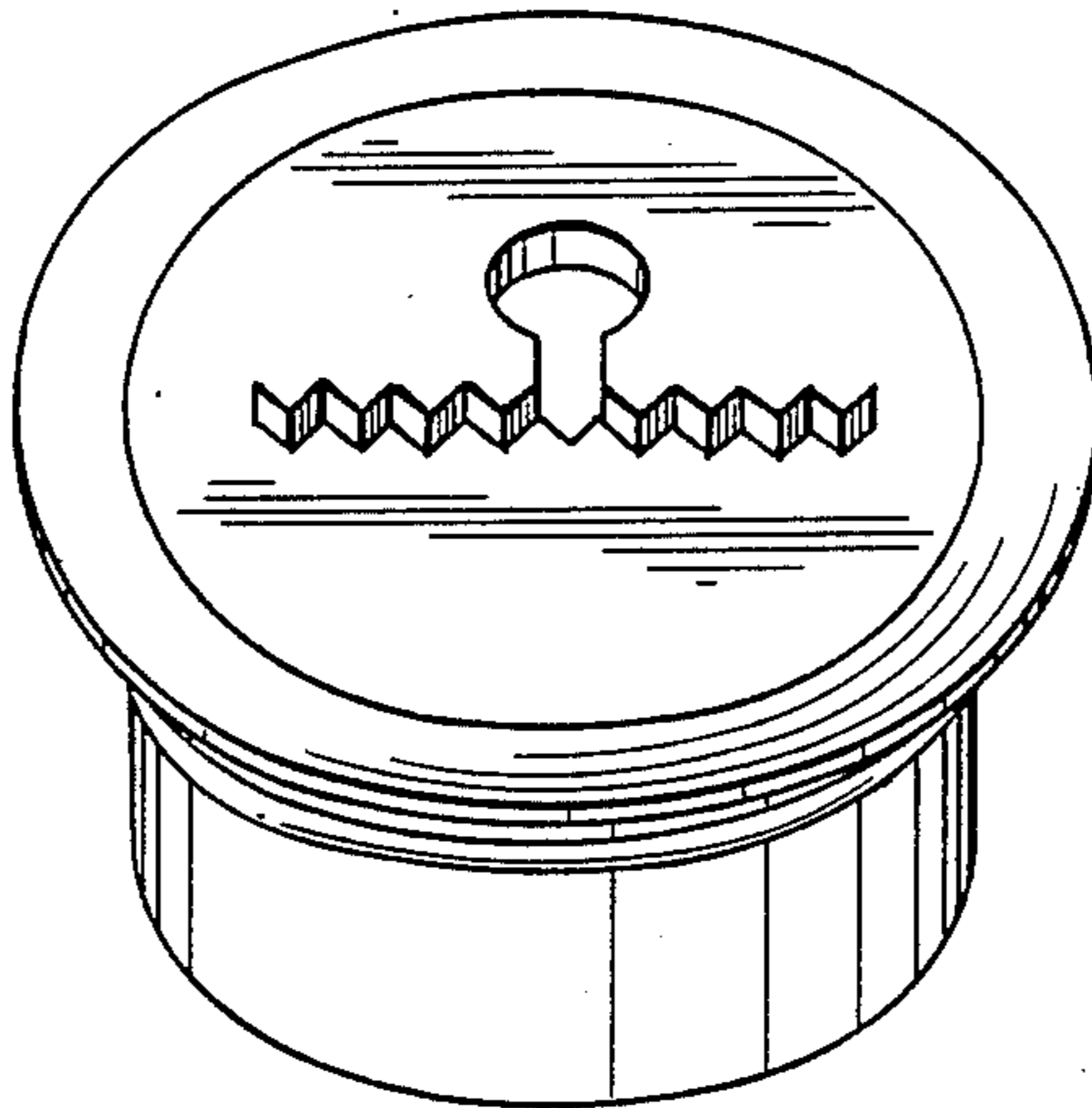
The ornamental design for a dispensing nozzle for plastic bags, as shown and described.

DESCRIPTION

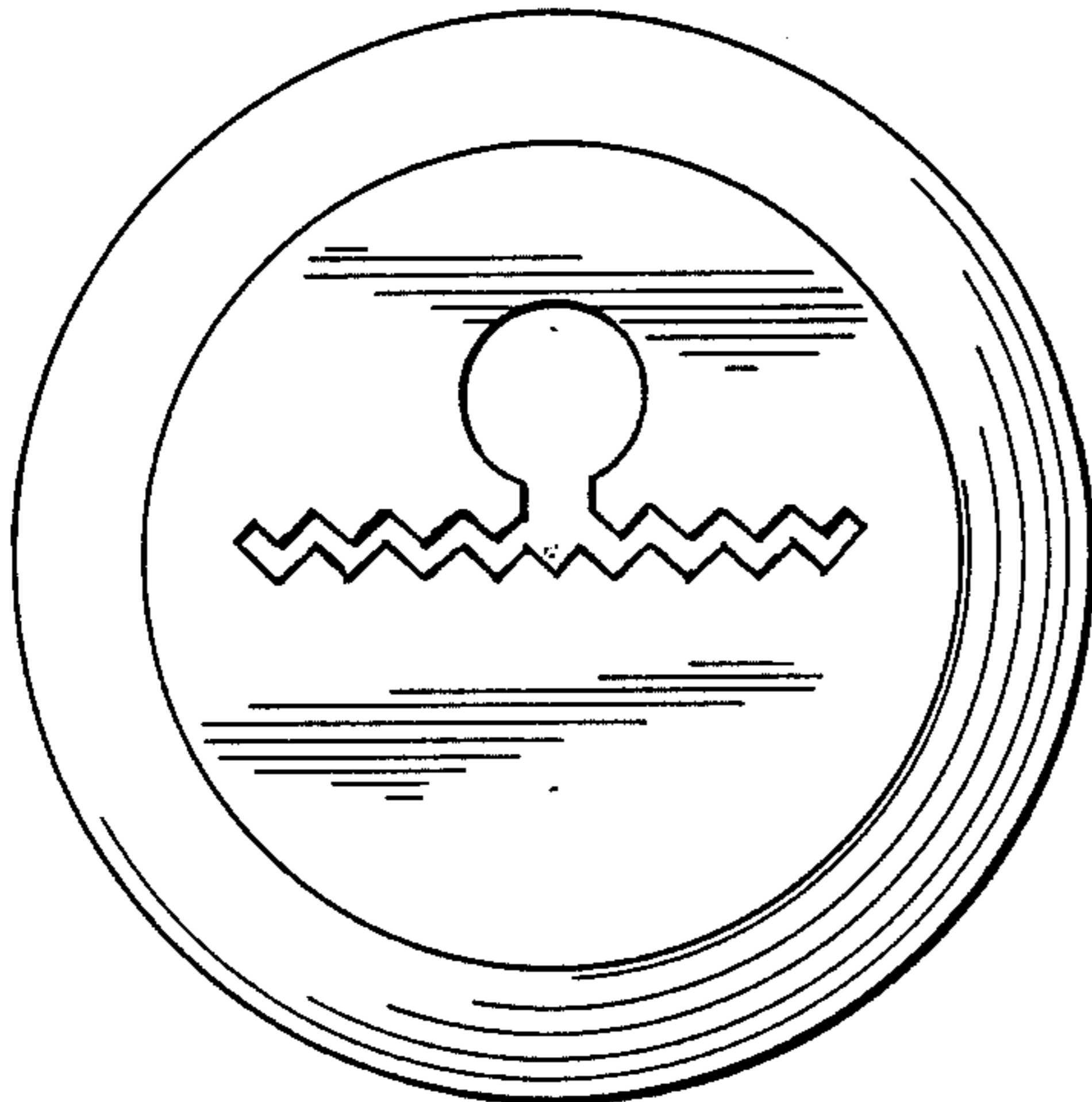
FIG. 1 is a perspective view of a dispensing nozzle for plastic bags showing our new design;  
FIG. 2 is a top plan view;  
FIG. 3 is a side elevational view, all sides being identical;  
FIG. 4 is a bottom plan view;  
FIG. 5 is a vertical sectional view looking to the right through the center thereof;  
FIG. 6 is a pererspective view of a dispensing nozzle for plastic bags showing a second embodiment of our design;  
FIG. 7 is a side elevational view, all sides being identical;  
FIG. 8 is a bottom plan view; and  
FIG. 9 is a vertical sectional view looking to the right through the center of FIG. 6.



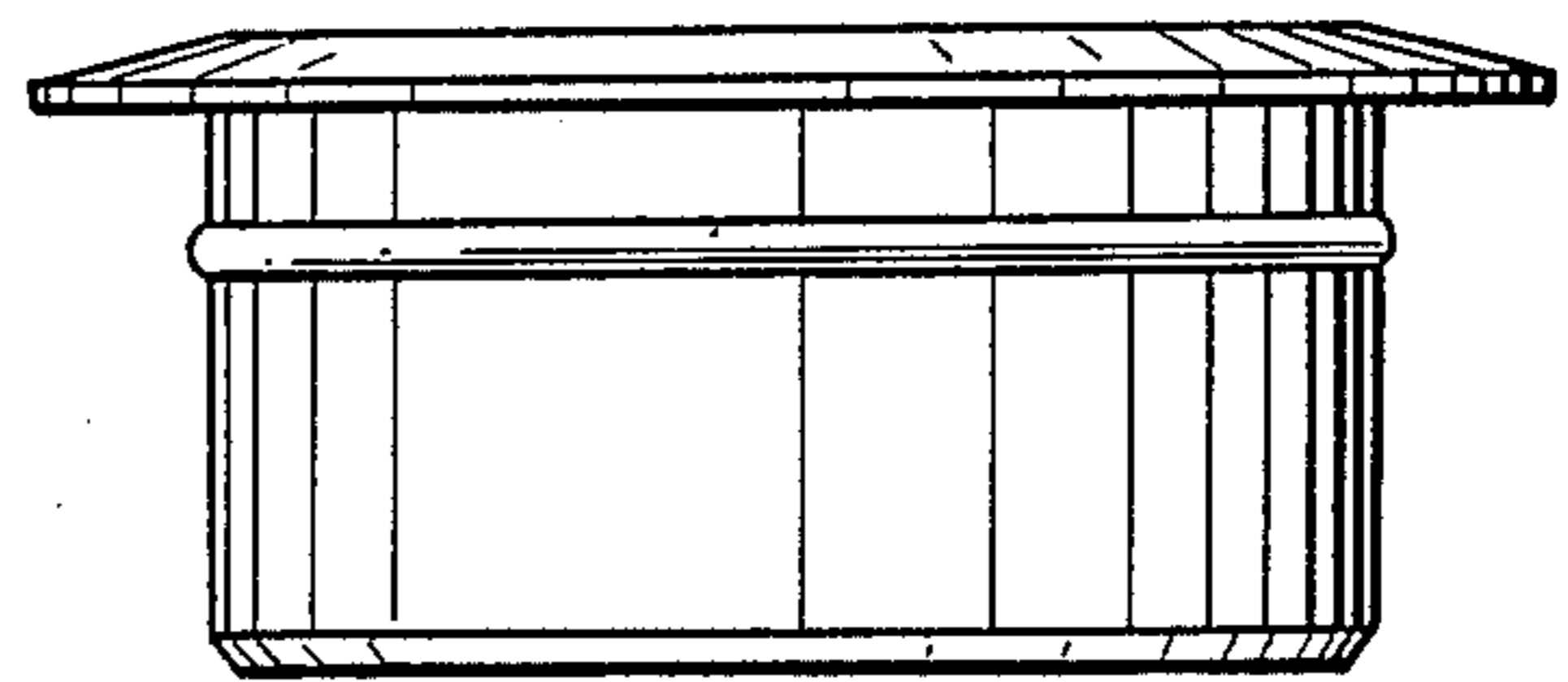
*FIG. 1*



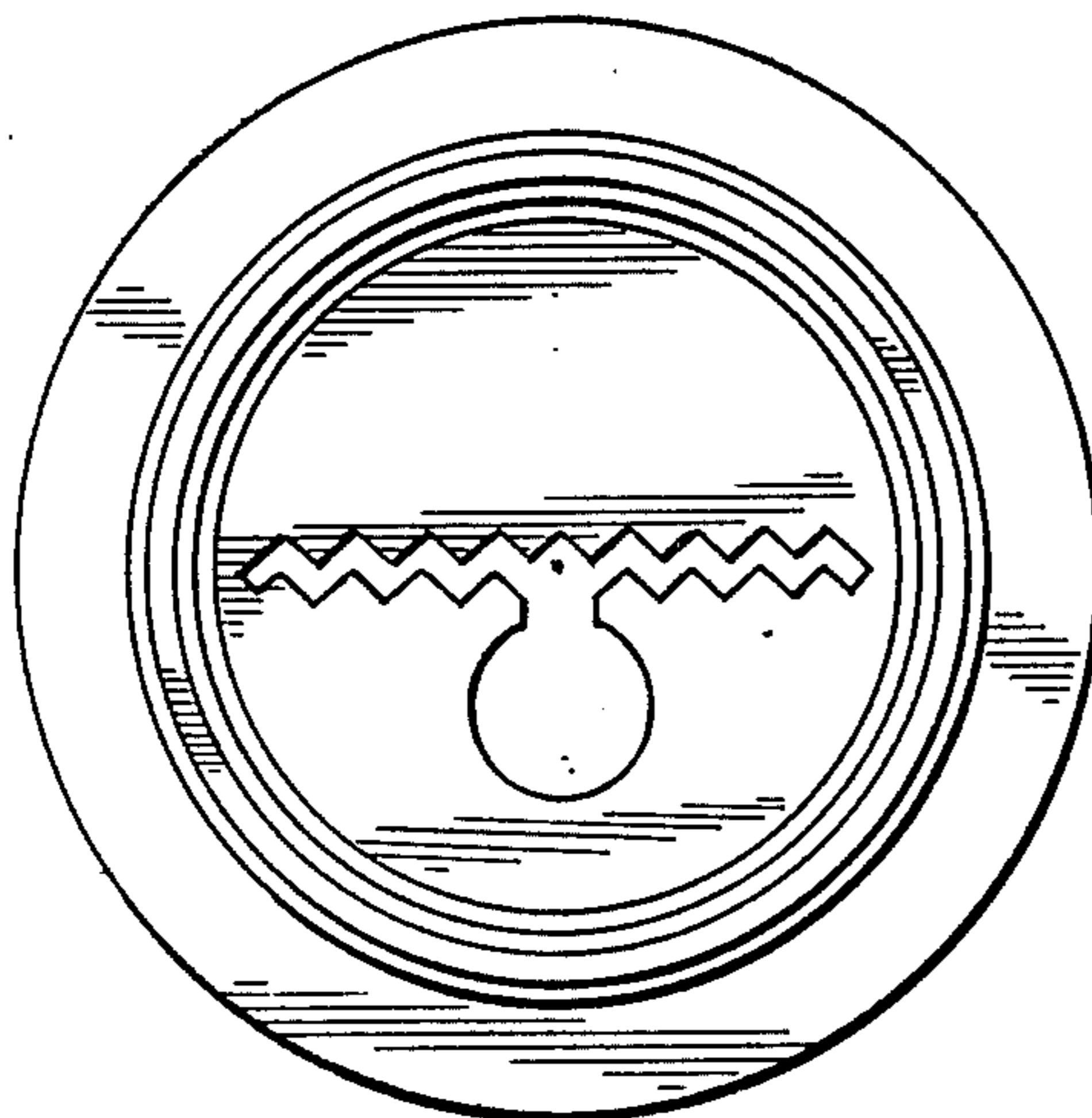
*FIG. 2*



*FIG. 3*



*FIG. 4*



*FIG. 5*

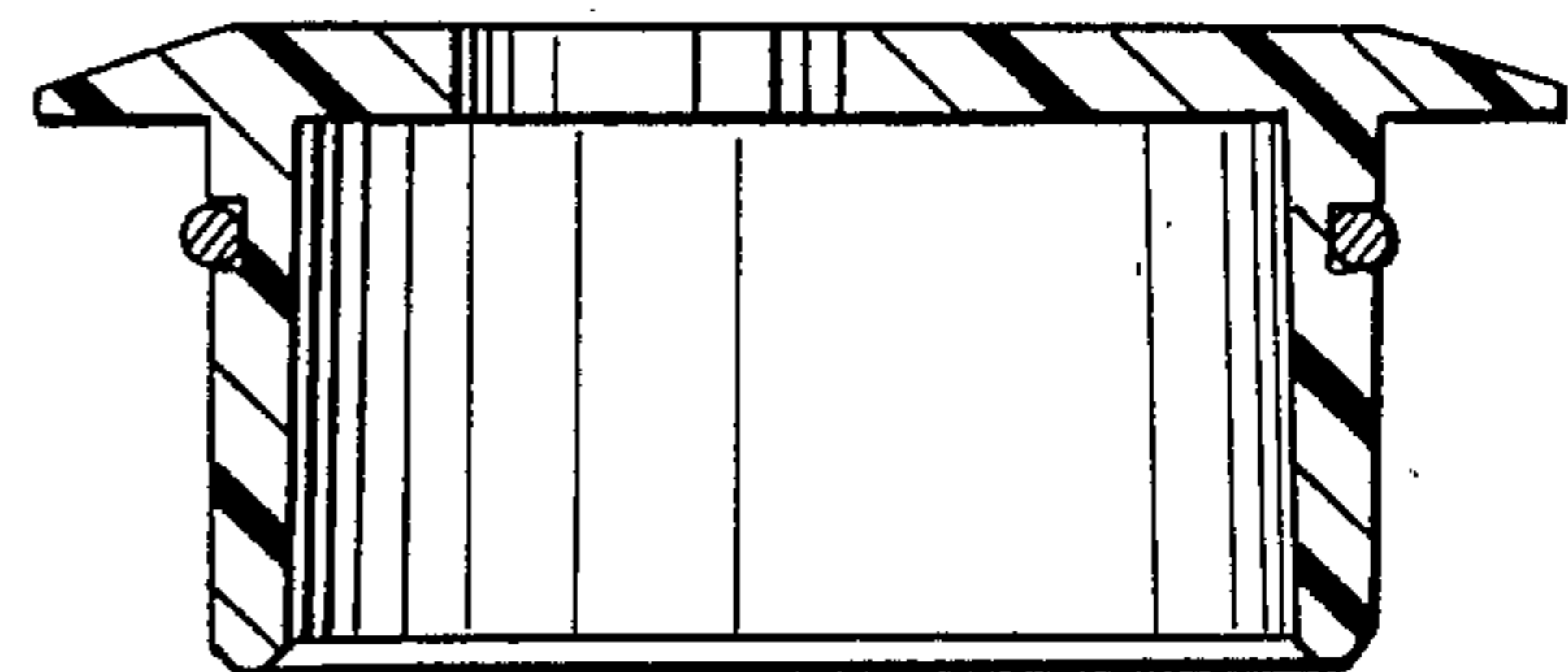


FIG. 6

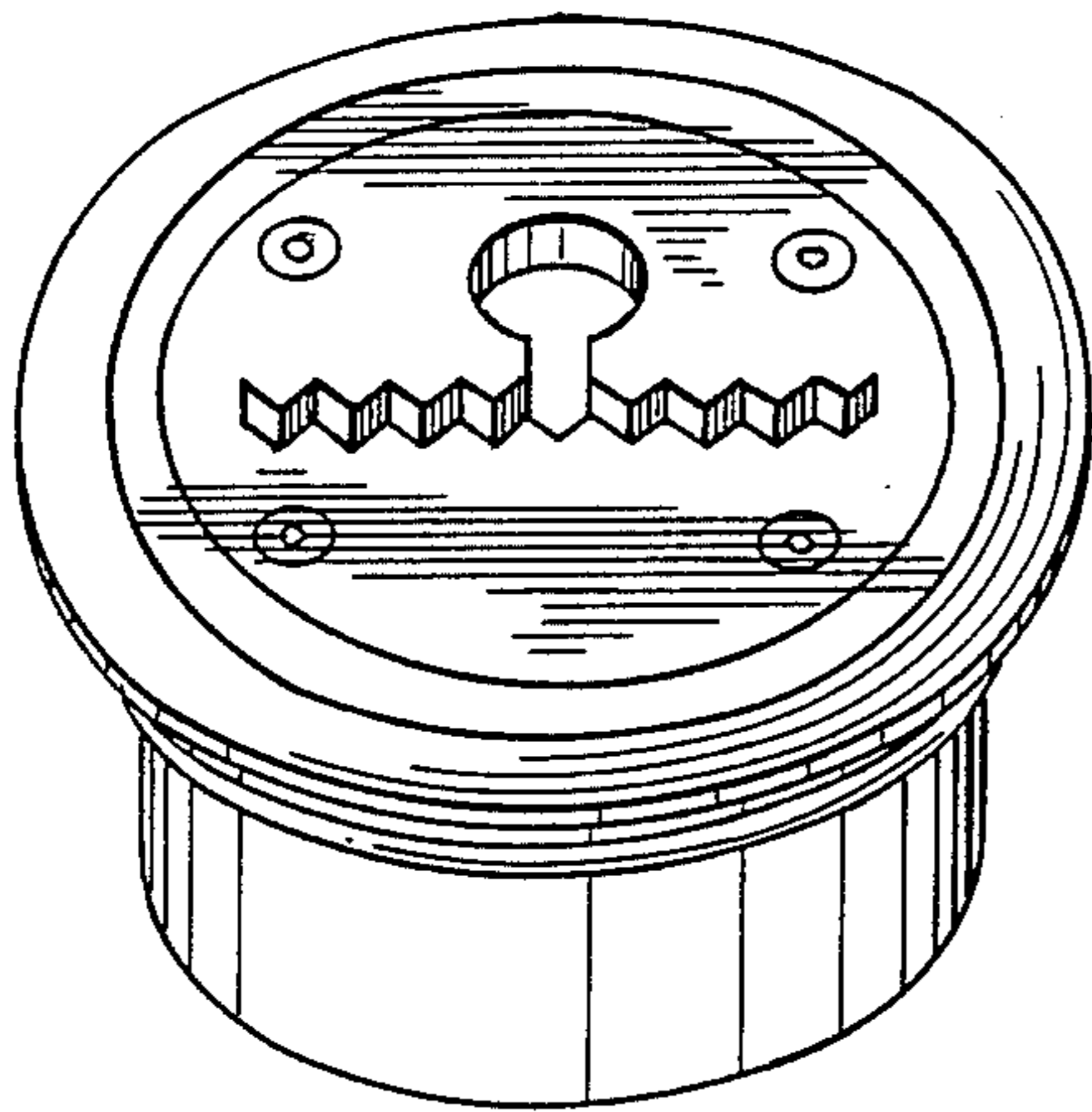


FIG. 7

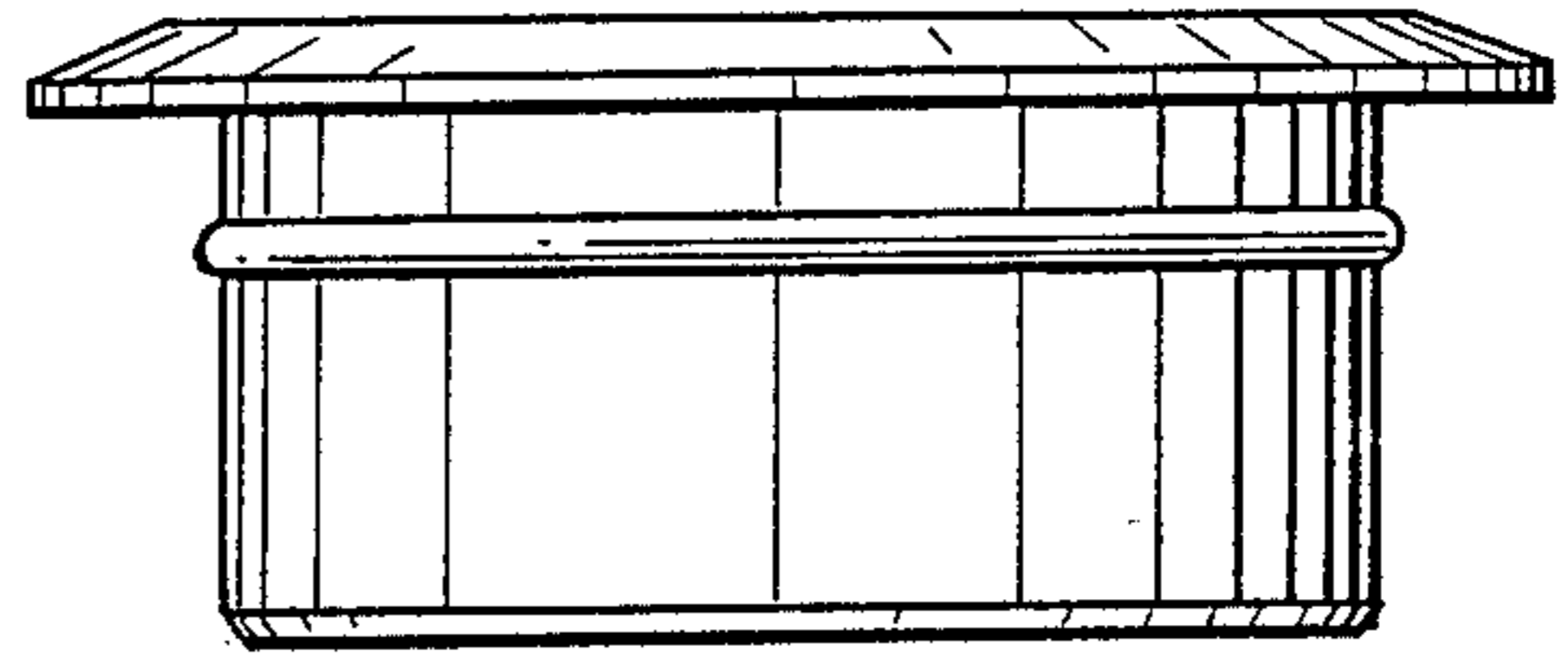


FIG. 9

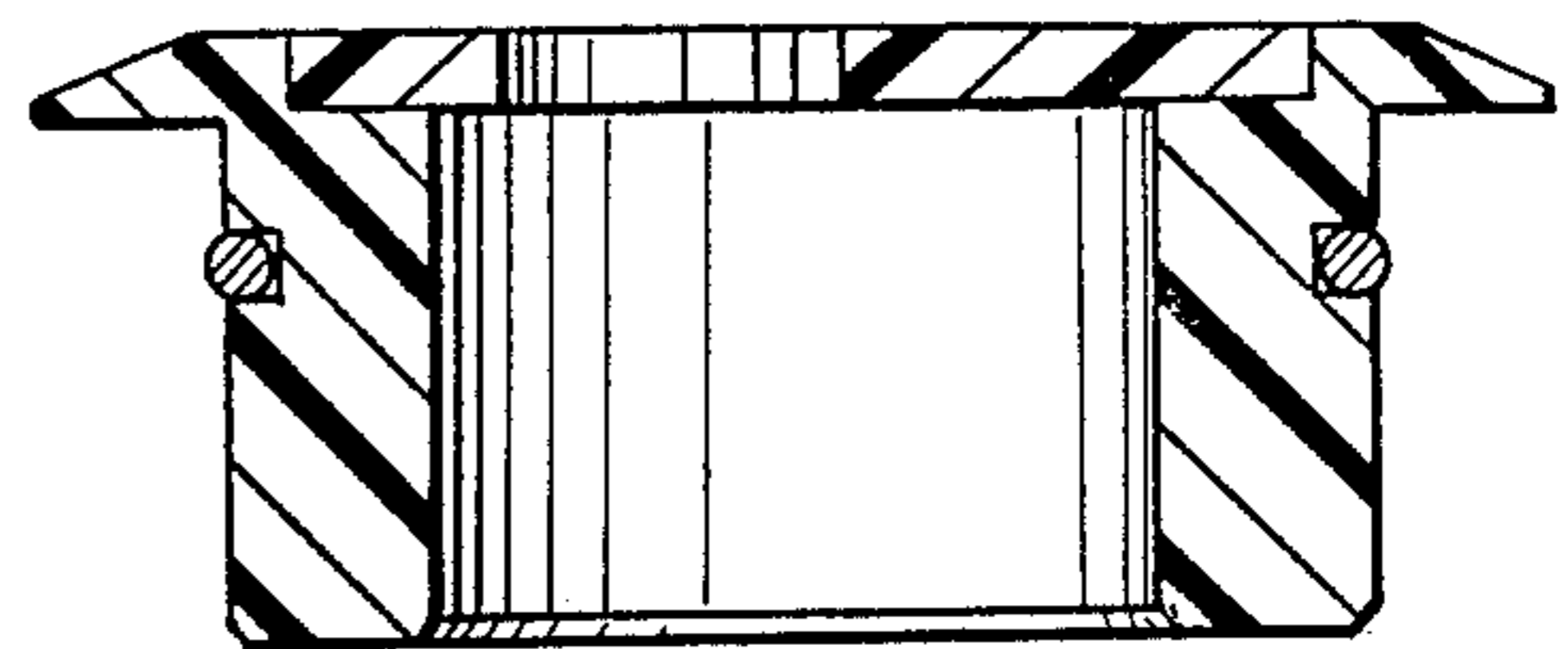


FIG. 8

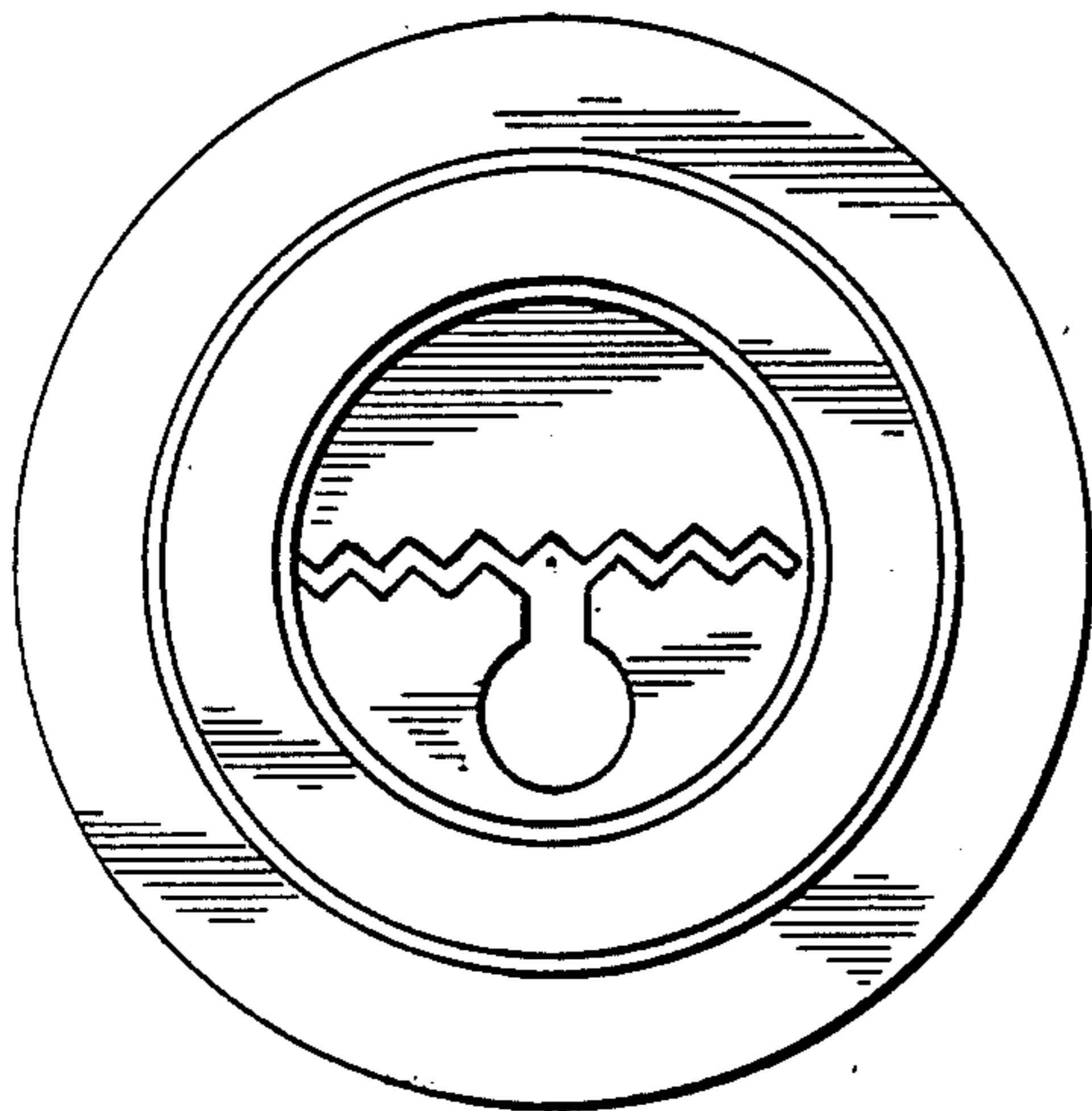


FIG. 11

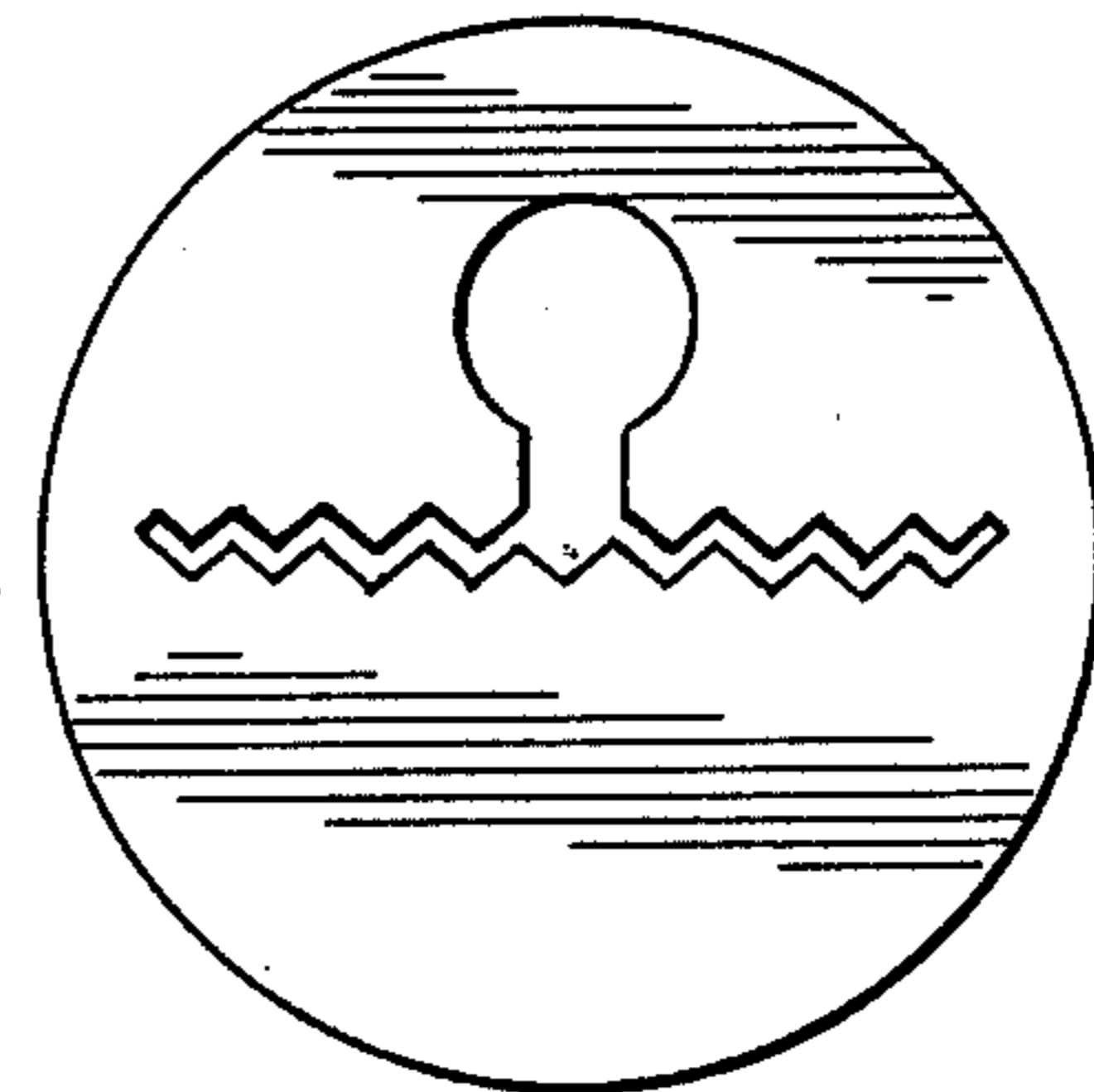


FIG. 10

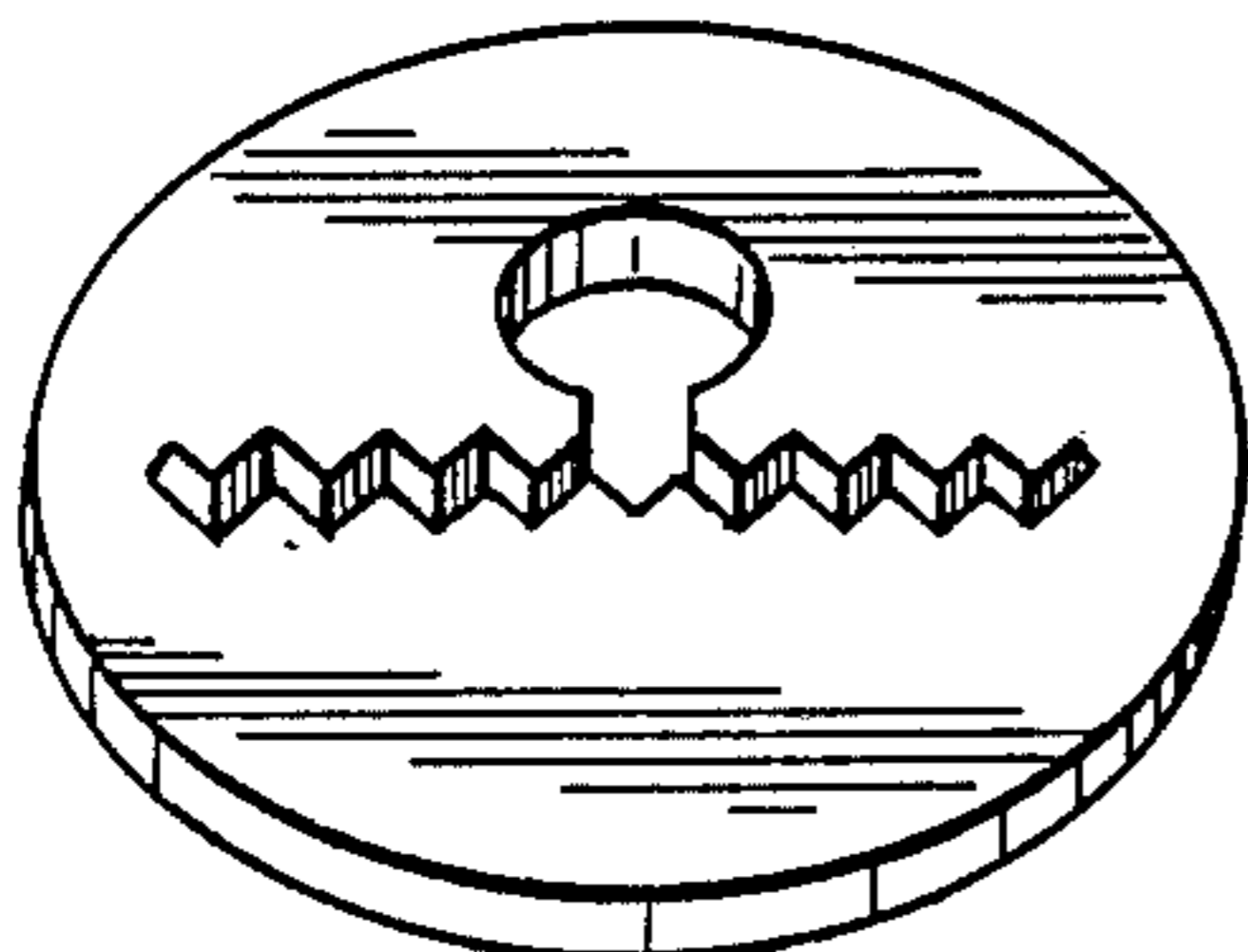


FIG. 12



UNITED STATES PATENT AND TRADEMARK OFFICE  
**CERTIFICATE OF CORRECTION**

PATENT NO. : Design 307,555

Page 1 of 2

DATED : May 1, 1990

INVENTOR(S) : Edwin W. Haenni et al

It is certified that error appears in the above-identified patent and that said Letters Patent is hereby corrected as shown below:

Sheet 2 of the drawings, consisting of Figs. 6-12, should be deleted to be replaced with the sheet of drawings, consisting of Figs. 6-9, as shown on the attached page.

**Signed and Sealed this  
Fourteenth Day of January, 1992**

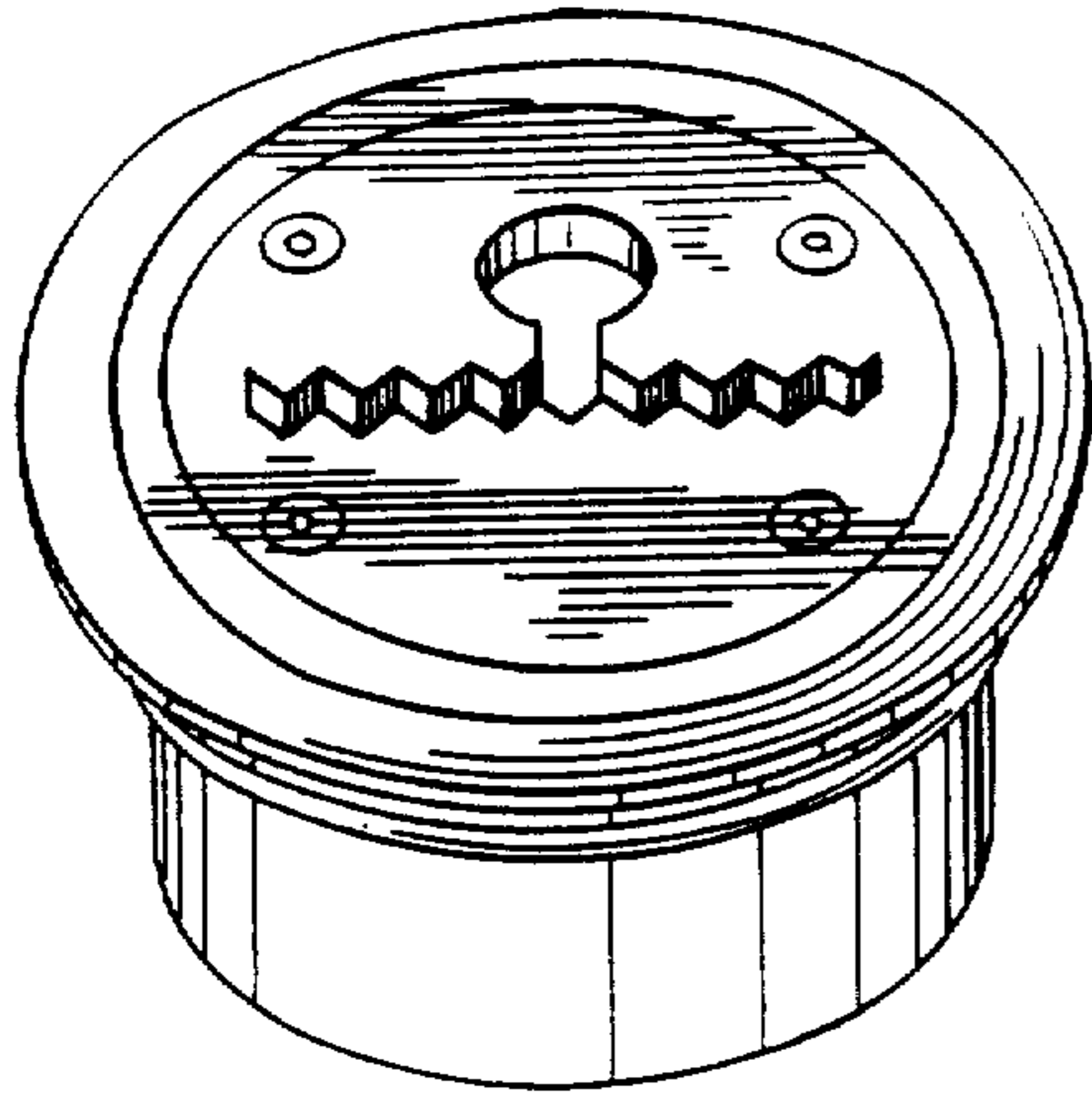
*Attest:*

HARRY F. MANBECK, JR.

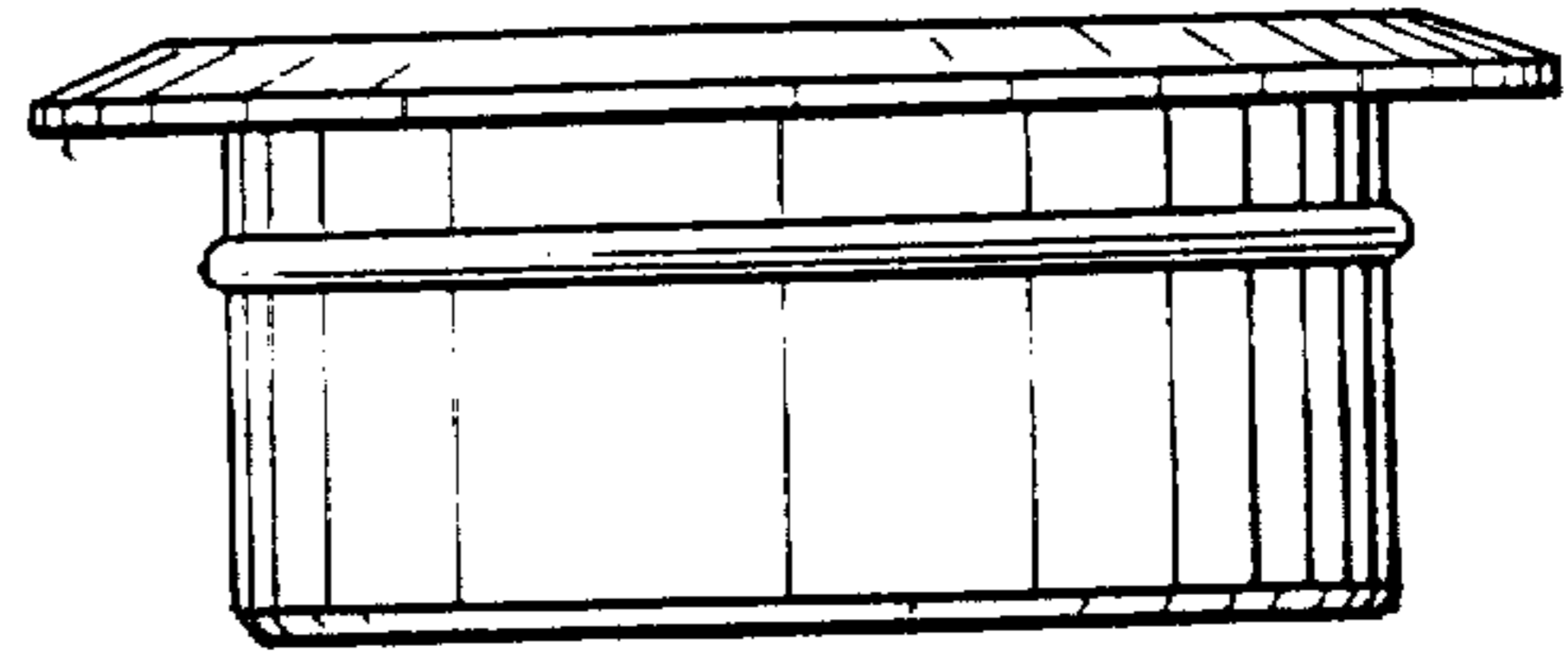
*Attesting Officer*

*Commissioner of Patents and Trademarks*

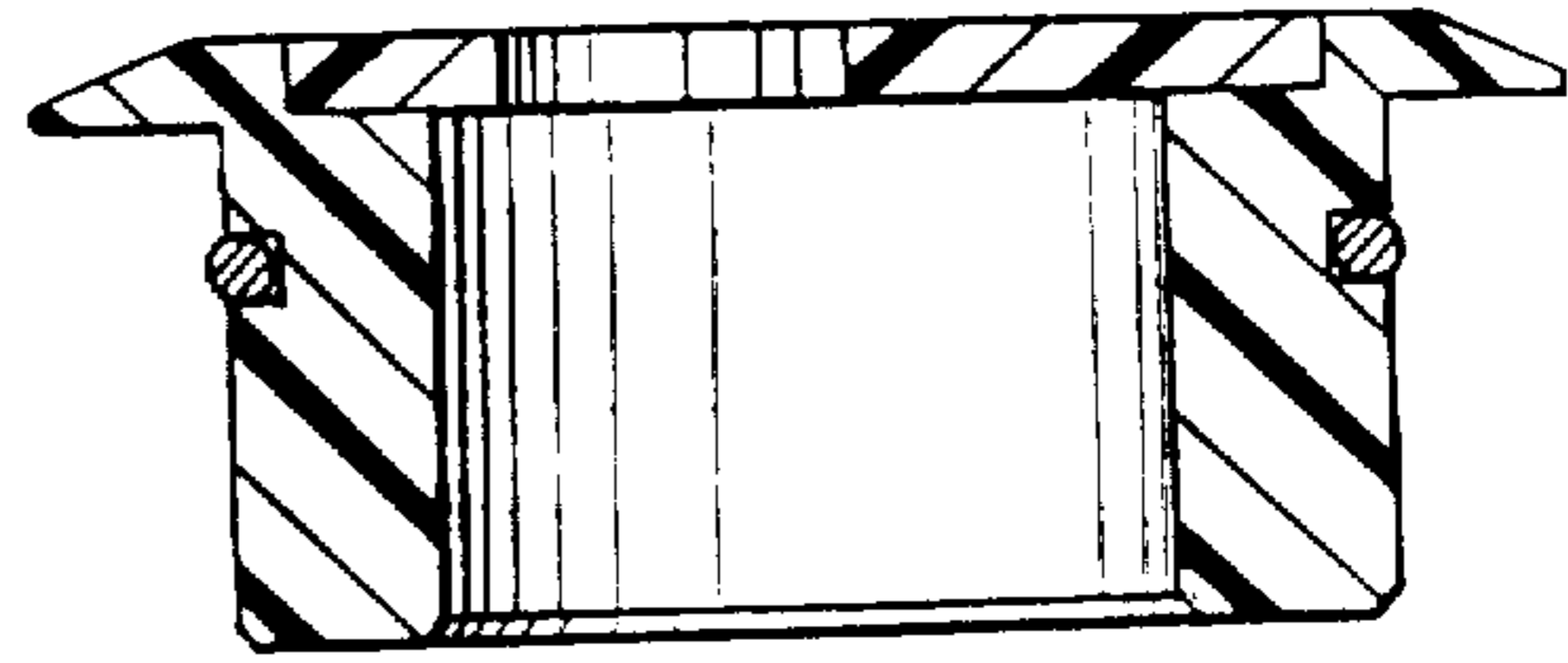
**FIG. 6**



**FIG. 7**



**FIG. 9**



**FIG. 8**

