

- [54] **BOTTLE AND CAP**
- [75] **Inventors:** Theodore L. Beaver, Roselle, Ill.; G. Edward Campbell, Pleasanton, Calif.
- [73] **Assignee:** The Clorox Company, Oakland, Calif.
- [**] **Term:** 14 Years
- [21] **Appl. No.:** 893,755
- [22] **Filed:** Aug. 4, 1986
- [52] **U.S. Cl.** D9/376; D9/378
- [58] **Field of Search** D9/376, 367, 372, 375, D9/378, 381, 382, 383, 389, 403-413; 215/1 R, 1 C

- D. 225,395 12/1972 Jacob D9/1
- D. 228,741 10/1973 Holme D9/1
- D. 232,419 8/1974 Luedtke D9/1
- D. 243,656 3/1977 Hutter et al. D9/53
- D. 247,347 2/1978 Klingaman D9/40
- D. 248,828 8/1978 Weckman D9/42
- D. 248,829 8/1978 Anderson D9/44
- D. 250,572 12/1978 Sneed et al. D9/52
- D. 250,995 2/1979 Beaver D9/39
- D. 252,186 6/1979 Möller D9/378
- D. 252,795 9/1979 Campbell D9/43
- D. 257,952 1/1981 Torongo, Jr. D9/376
- D. 257,953 1/1981 Shortino D9/376
- D. 259,405 6/1981 Drummond D9/376
- D. 260,857 9/1981 Pardo D9/376
- D. 263,448 3/1982 Turcotte D9/376
- D. 264,308 5/1982 Campbell D9/376
- D. 264,409 5/1982 Weekman et al. D9/376
- D. 265,059 6/1982 White et al. D9/376
- D. 267,631 1/1983 Beechuk D9/376
- D. 269,949 8/1983 Stoy D9/376
- D. 270,137 8/1983 McDonald et al. D9/376
- D. 275,934 10/1984 Wassergord et al. D9/376
- D. 277,733 2/1985 Aldrick et al. D9/376
- D. 278,030 3/1985 Drummond D9/376
- D. 279,453 7/1985 Beechuk et al. D9/376
- D. 280,487 9/1985 Lane et al. D9/376
- D. 280,488 9/1985 Lane et al. D9/376
- D. 280,602 9/1985 Campbell et al. D9/376
- 4,269,722 5/1981 Joshi et al. 252/90

[56] **References Cited**
U.S. PATENT DOCUMENTS

- D. 192,268 2/1962 Sterges et al. D58/5
- D. 192,654 4/1962 Dike D58/5
- D. 196,750 10/1963 Koenigsberg D58/5
- D. 196,984 11/1963 Platte D58/5
- D. 197,307 1/1964 Vanderhyde D58/5
- D. 197,581 2/1964 Trombly et al. D58/5
- D. 197,739 3/1964 Douglas D58/5
- D. 198,408 6/1964 Craig et al. D58/5
- D. 199,813 12/1964 Trombly et al. D58/5
- D. 200,260 2/1965 Craig et al. D58/5
- D. 200,356 2/1965 Platte D58/5
- D. 200,441 2/1965 Hachten et al. D58/5
- D. 201,469 6/1965 Lorezen D58/5
- D. 203,225 12/1965 Schnur D58/5
- D. 207,349 1/1967 Swatze D58/5
- D. 207,797 5/1967 Roberts D58/5
- D. 208,215 8/1967 Campbell D58/5
- D. 210,113 2/1968 Gantz et al. D9/42
- D. 210,568 3/1968 Vanderhyde D9/42
- D. 212,319 10/1968 Hills D9/39
- D. 213,822 4/1969 Weckman D9/1
- D. 216,582 2/1970 Beeman D9/1
- D. 216,583 2/1970 Coghill D9/1
- D. 218,219 8/1970 Hills D9/1
- D. 218,676 9/1970 Beaver D9/1
- D. 218,799 9/1970 Hills D9/1
- D. 218,800 9/1970 Hills D9/1
- D. 218,801 9/1970 Hills D9/1
- D. 219,866 2/1971 Beaver D9/1
- D. 220,609 5/1971 Dickins D9/1
- D. 221,513 8/1971 Leary et al. D9/1
- D. 223,601 5/1972 Johnson D9/1
- D. 223,807 6/1972 Thomson D9/1
- D. 224,201 7/1972 Beaver D9/1

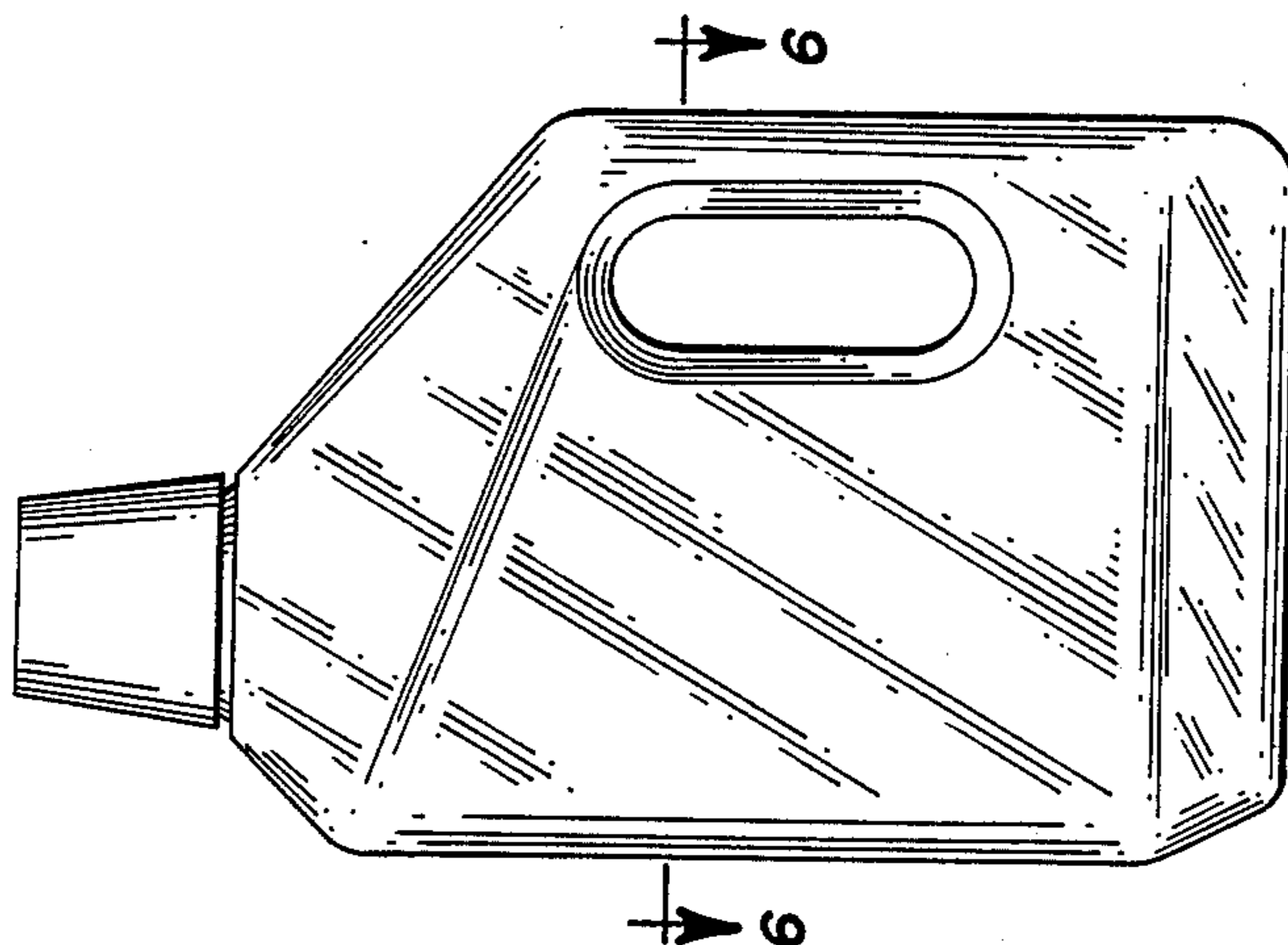
Primary Examiner—Melvin B. Feifer
Assistant Examiner—Lucy Lieberman
Attorney, Agent, or Firm—Joel J. Hayashida; Michael J. Mazza; Stephen M. Westbrook

[57] **CLAIM**

The ornamental design for a bottle and cap, as shown and described.

DESCRIPTION

FIG. 1 is an elevational view of a bottle and cap embodying our new design, the opposite side being a mirror image thereof;
FIG. 2 is a side elevational view of the bottle, said view looking from the right of FIG. 1;
FIG. 3 is a side elevational view looking from the left of FIG. 1;
FIG. 4 is a bottom plan view of FIG. 1;
FIG. 5 is a top plan view thereof; and
FIG. 6 is a sectional view, taken along line 6—6 of FIG. 1.



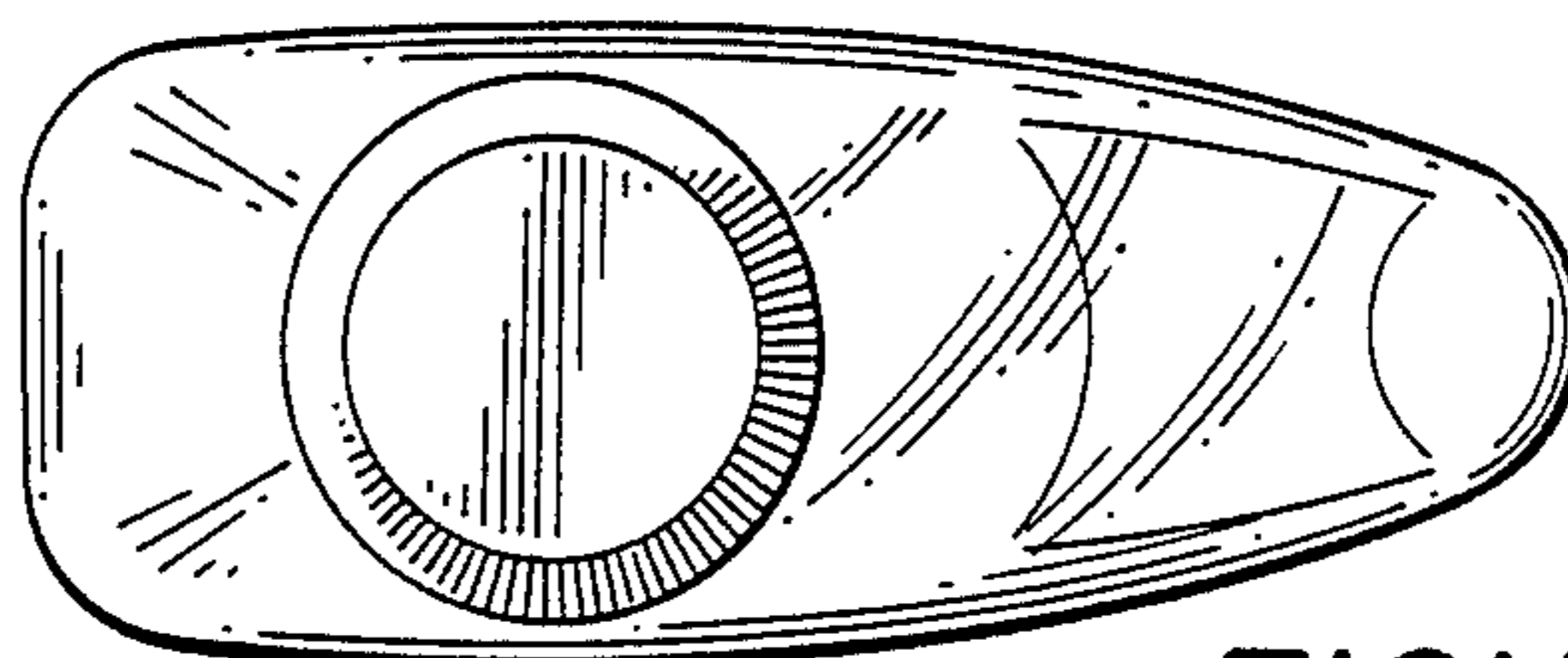


FIGURE 5

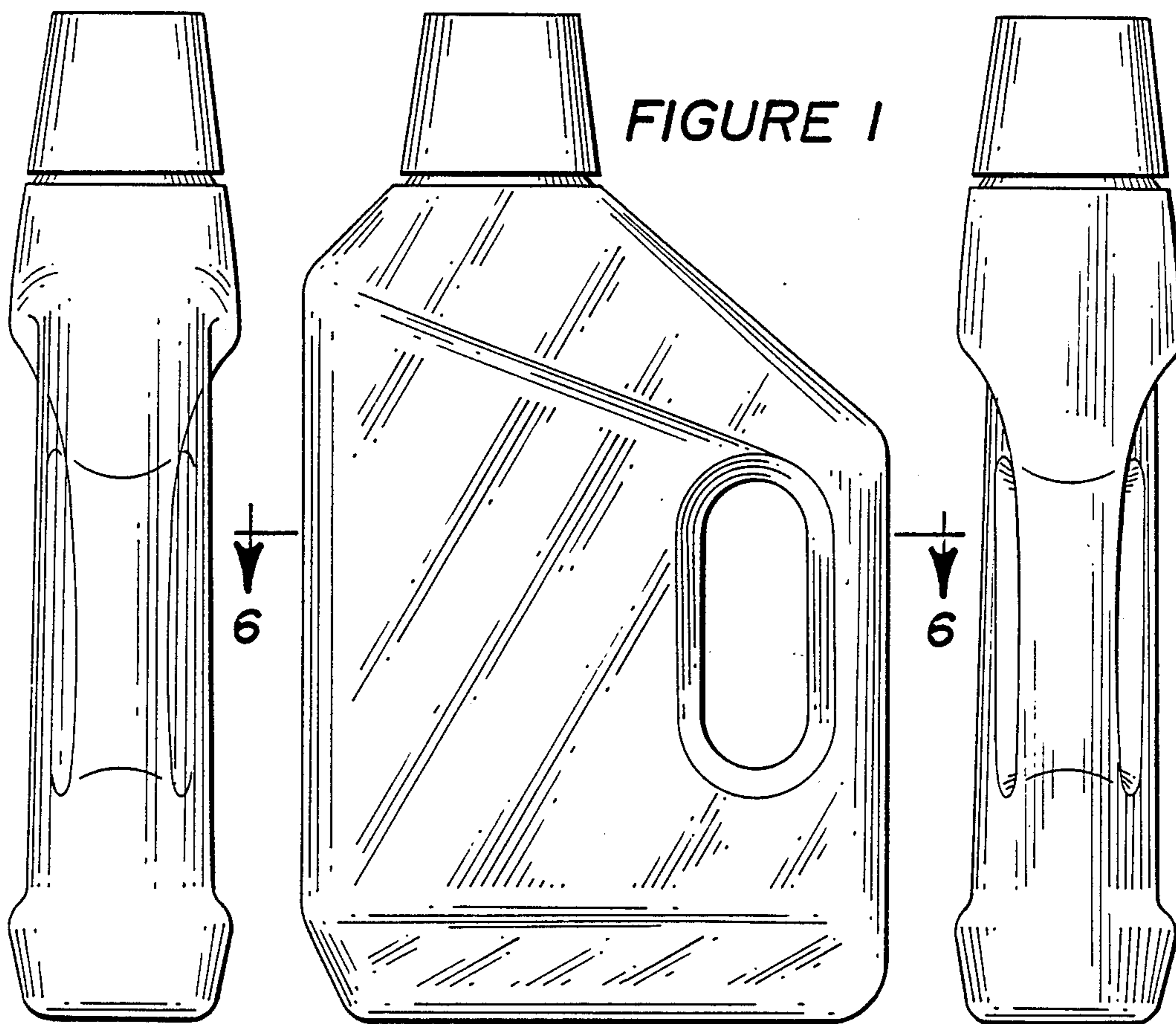
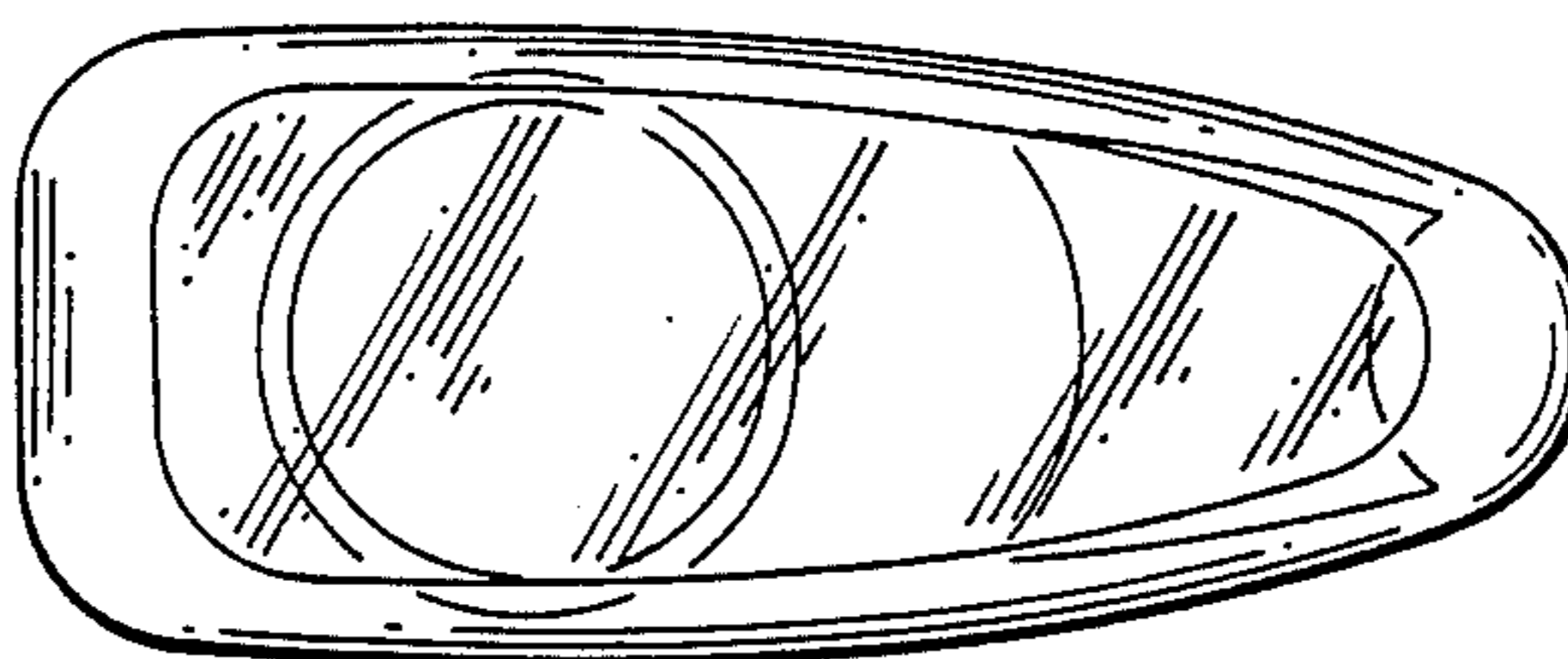


FIGURE 1

FIGURE 3

FIGURE 2

FIGURE 4



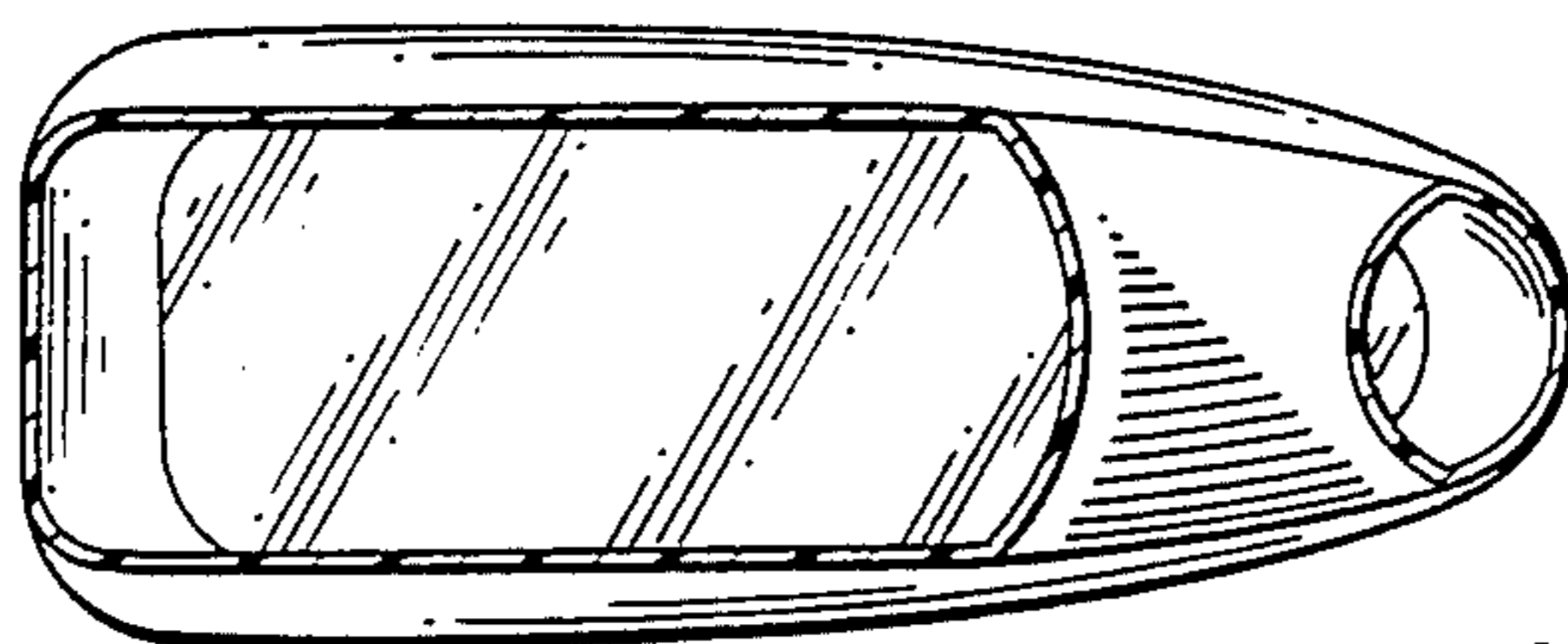


FIGURE 6