

[54] BOTTLE

[75] Inventor: Donald D. Cochran, Bartlett, Ill.

[73] Assignee: American National Can Company, Chicago, Ill.

[**] Term: 14 Years

[21] Appl. No.: 30,479

[22] Filed: Mar. 27, 1987

[52] U.S. Cl. D9/375; D9/404

[58] Field of Search D9/349, 350, 351, 367, D9/373, 374, 375, 376, 392, 403, 435; 215/1 C

[56] References Cited

U.S. PATENT DOCUMENTS

- D. 282,634 2/1986 Beaver et al. D9/375
- D. 284,269 7/1986 Goetner D9/349
- D. 292,968 12/1987 Darr D9/404

OTHER PUBLICATIONS

Modern Plastics, May 1986, p. 69, Gas Treatment bottle on right.

Primary Examiner—B. J. Bullock

Assistant Examiner—Sandra Morris

Attorney, Agent, or Firm—Robert A. Stenzel; Ralph R. Rath

[57] CLAIM

The ornamental design for a bottle, as shown.

DESCRIPTION

FIG. 1 is a front elevational view of the bottle, showing my new design;

FIG. 2 is a right side elevational view thereof;

FIG. 3 is a top plan view thereof;

FIG. 4 is a rear elevational view thereof;

FIG. 5 is a left side elevational view thereof;

FIG. 6 is a bottom plan view thereof.

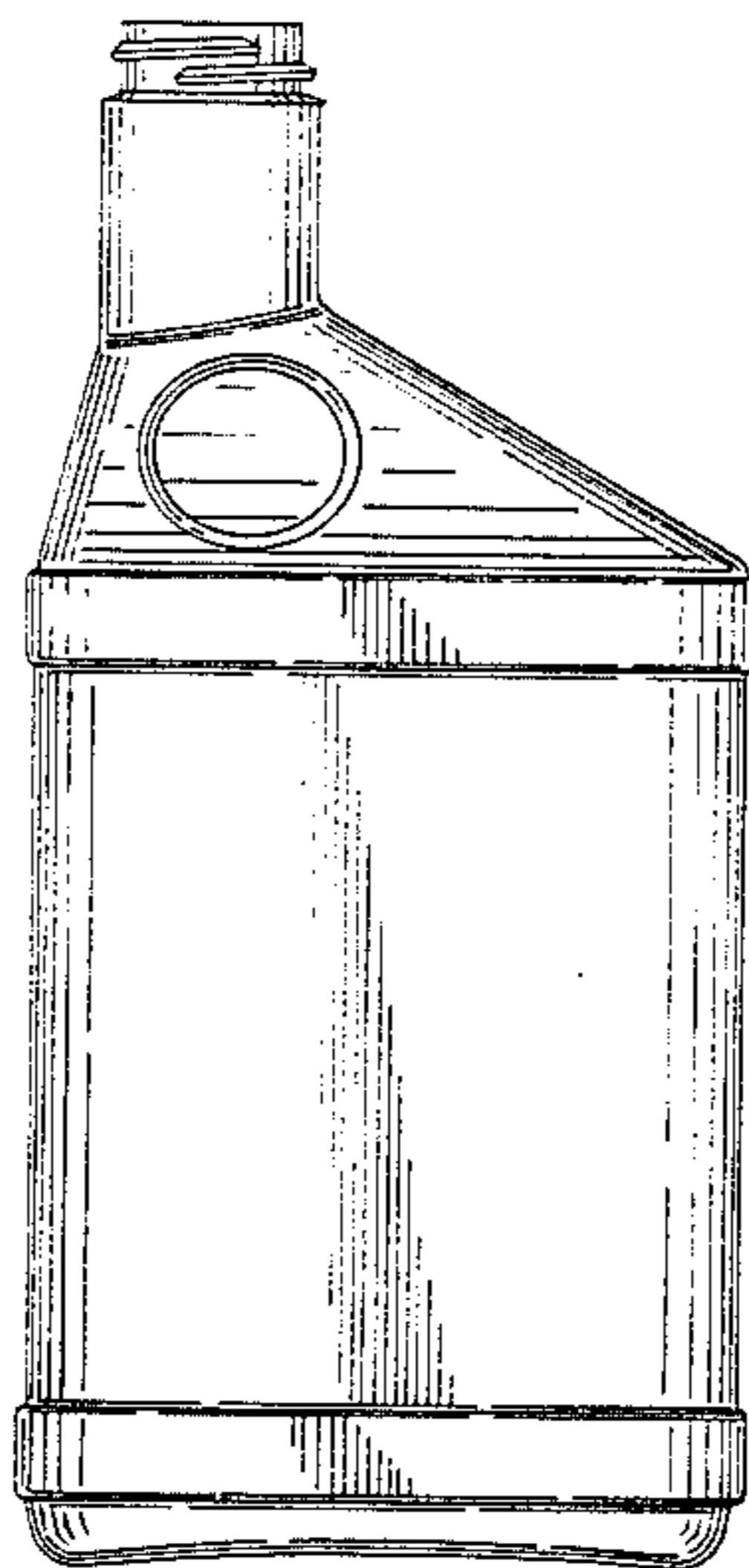


FIG. 2.

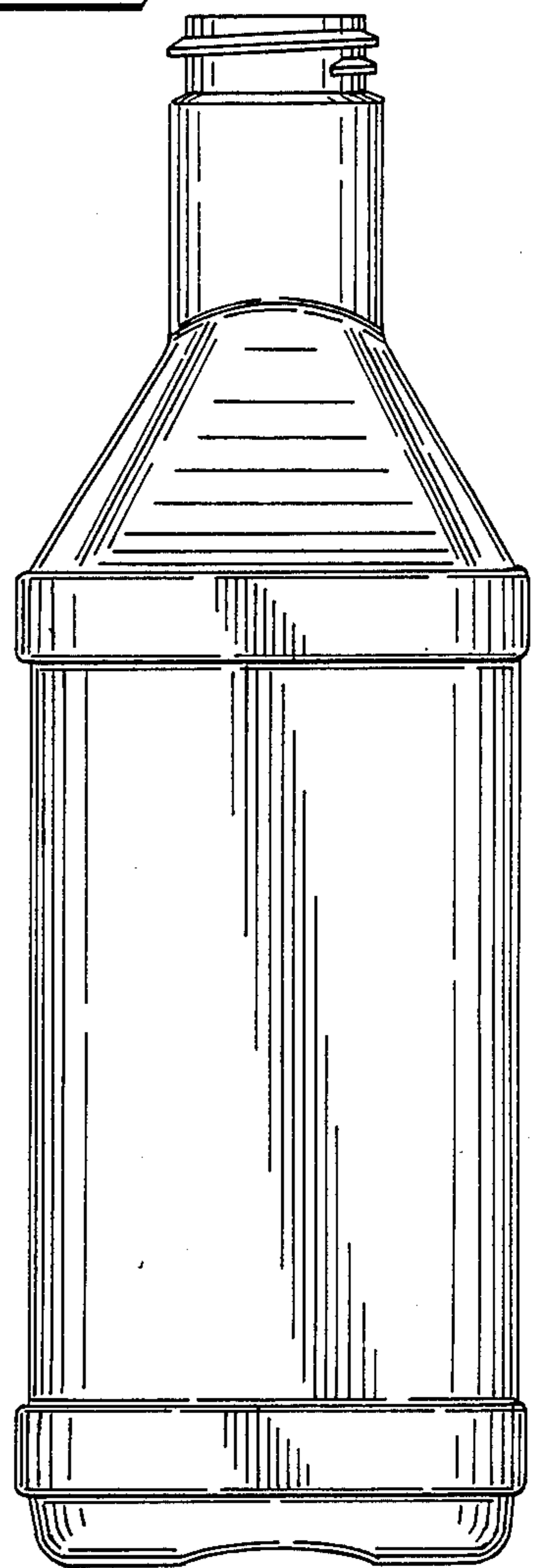


FIG. 1.

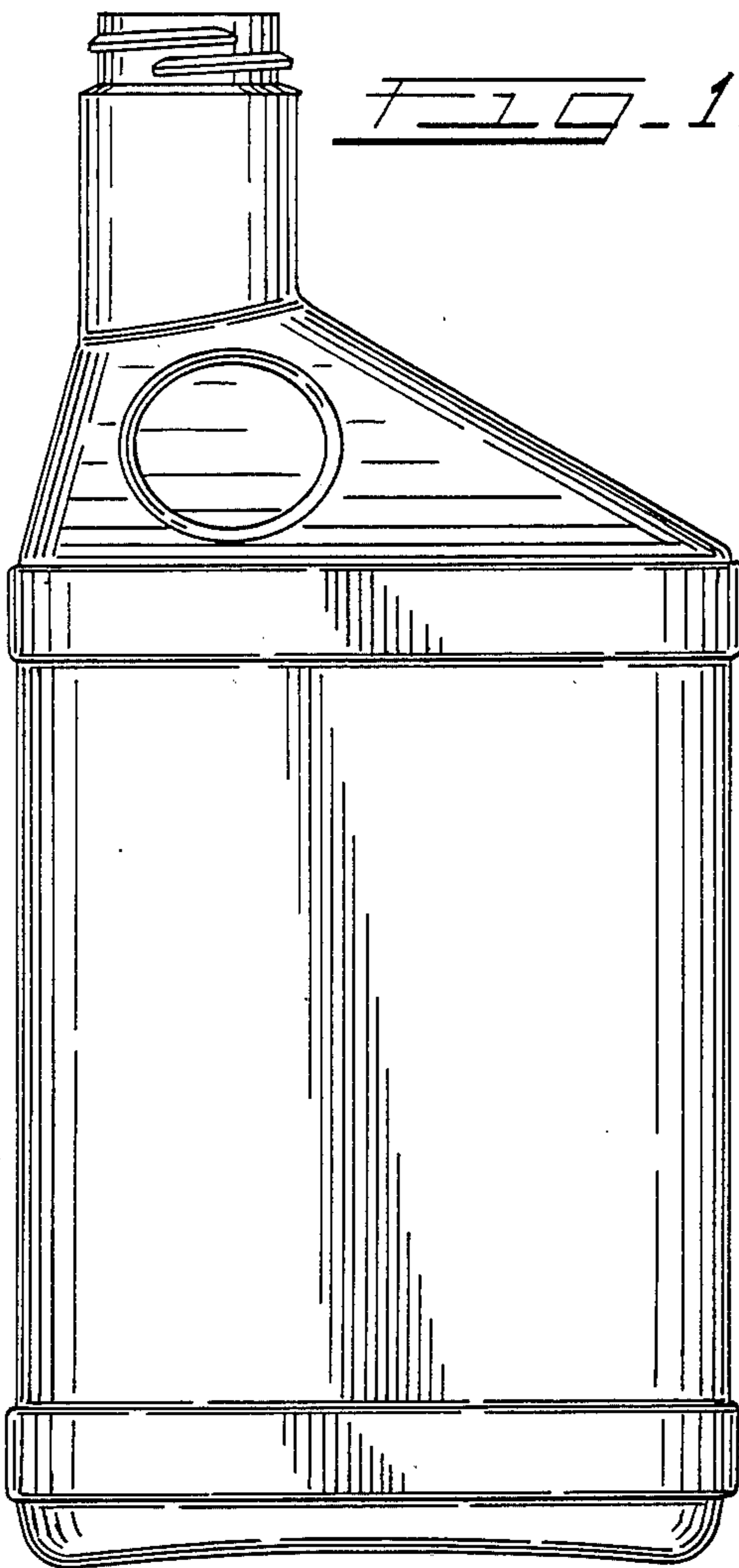


FIG. 3.

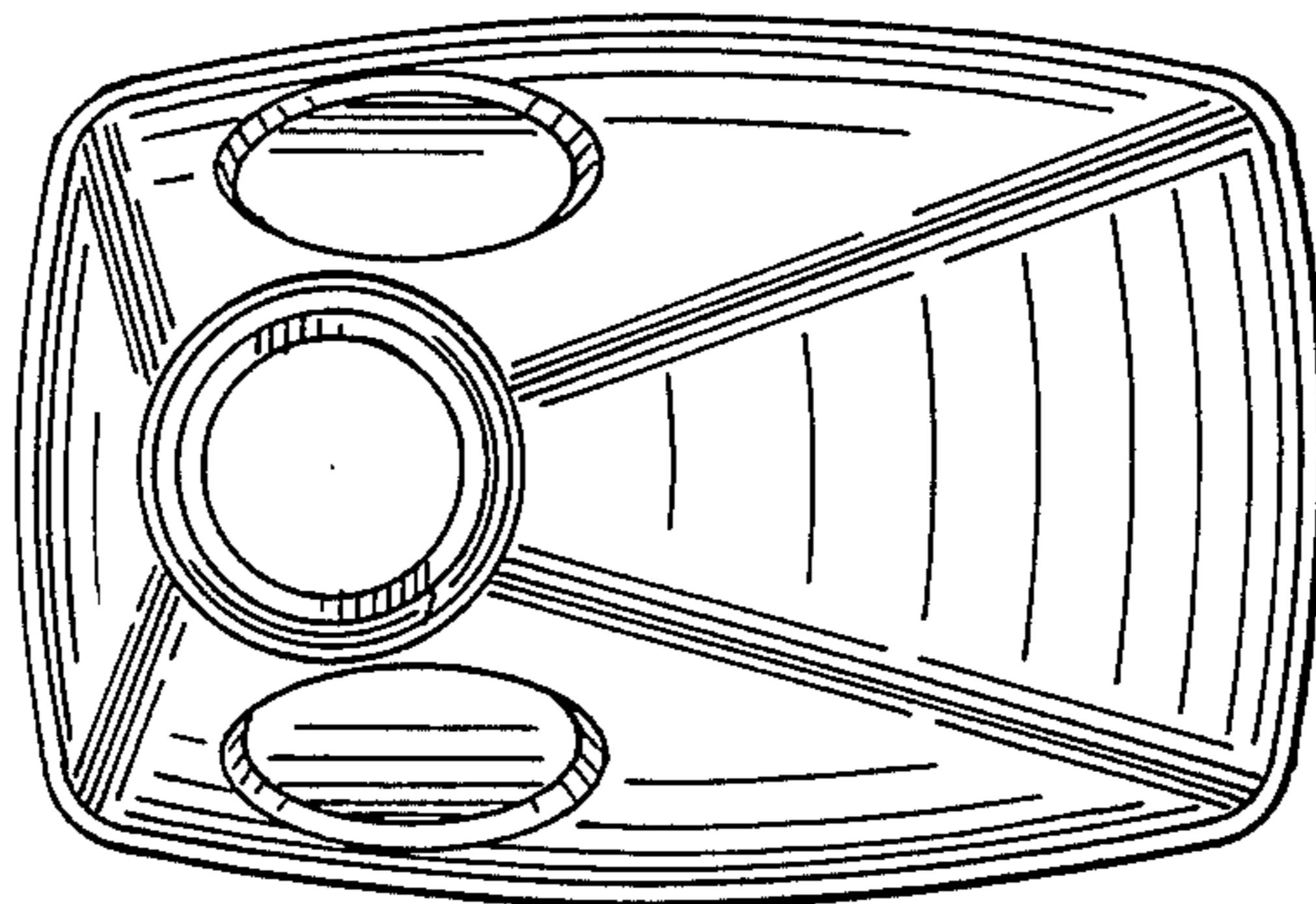


FIG. 4.

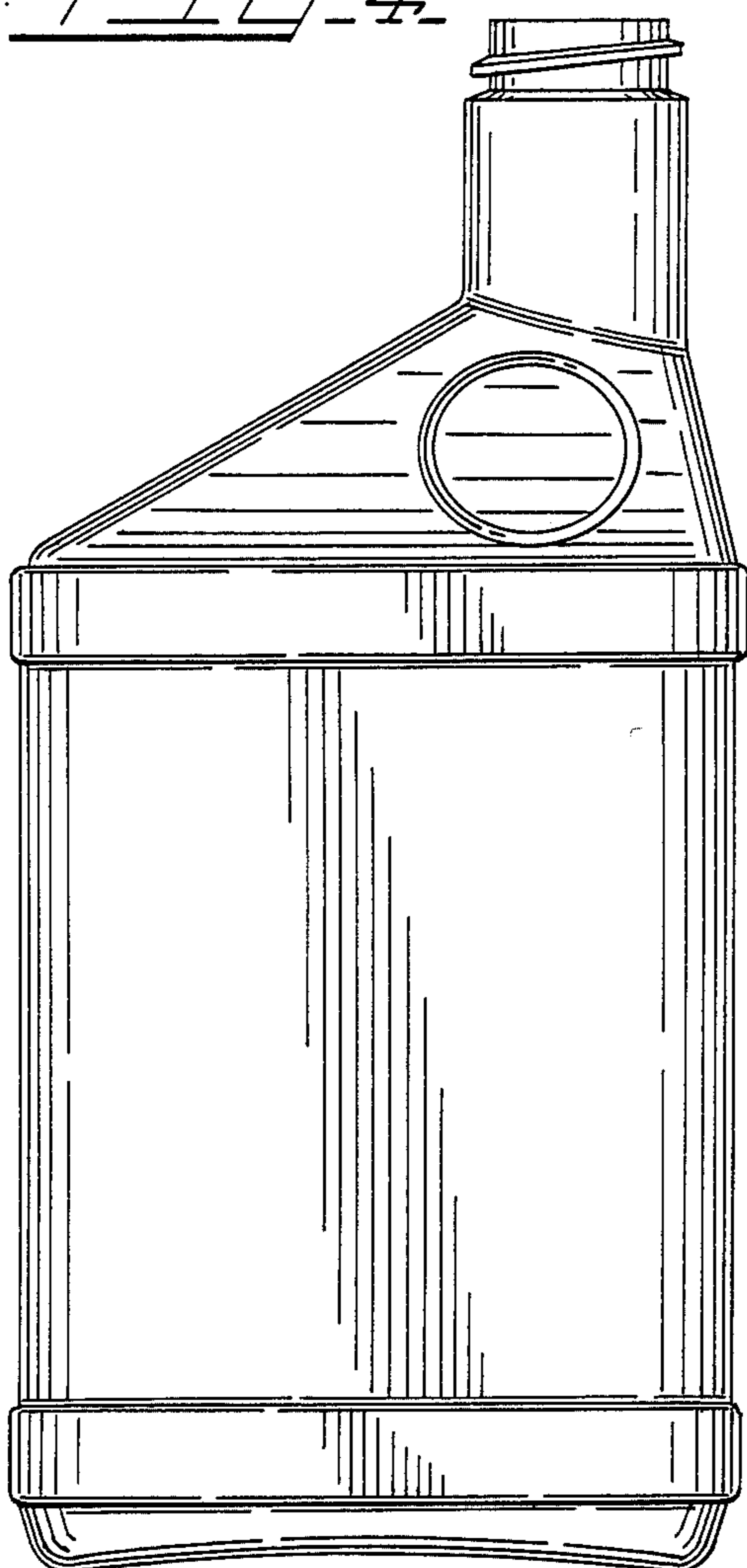


FIG. 5.

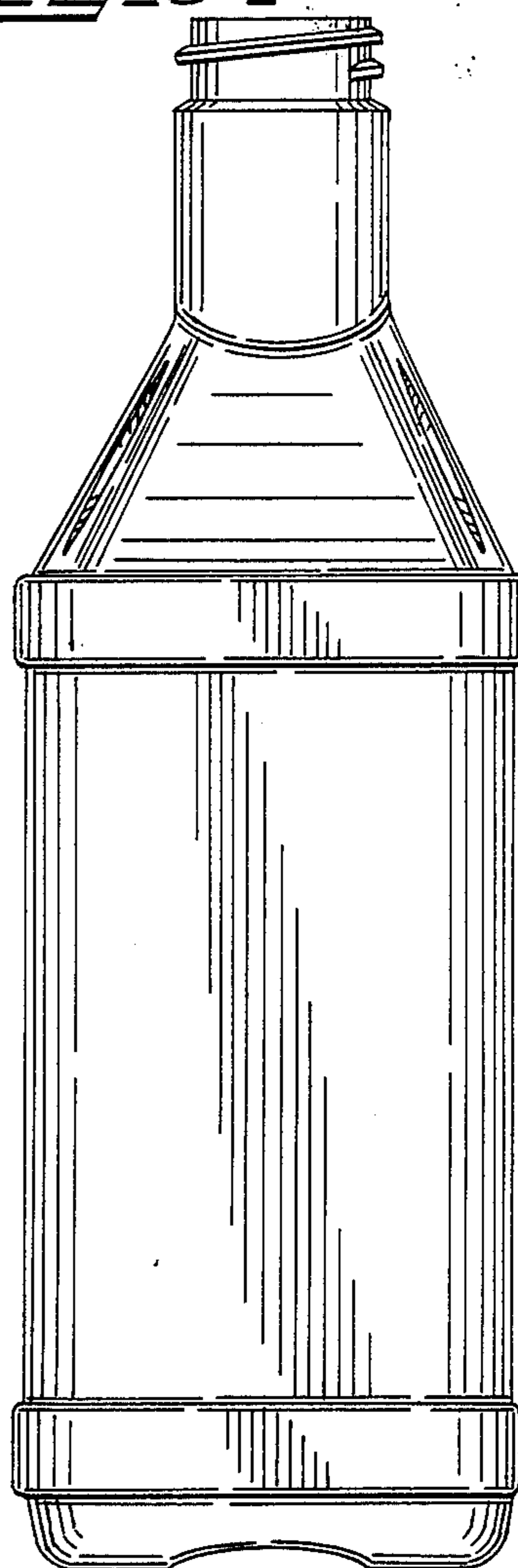


FIG. 6.

