

[54] PACKAGING CONTAINER

[75] Inventors: Audri J. Conner, Niles; Christopher P. Guzowski, Hoffman Estates, both of Ill.

[73] Assignee: Kraft, Inc., Glenview, Ill.

[\*\*] Term: 14 Years

[21] Appl. No.: 66,393

[22] Filed: Jun. 24, 1987

[52] U.S. Cl. .... D9/352; D9/355; D9/399

[58] Field of Search ..... D7/16, 17, 51, 70, 79; D9/349, 350, 351, 352, 353, 355, 367, 377, 399; 206/822; 215/DIG. 8, 354, 356; 220/1 E, 213, 355

[56] References Cited

U.S. PATENT DOCUMENTS

- D. 175,835 10/1955 Hill ..... D7/76
- D. 204,712 5/1966 Shelby ..... D58/11
- D. 220,751 5/1971 Artz ..... D9/219
- D. 241,399 9/1976 Christian ..... D7/17
- D. 244,065 4/1977 Daenen ..... D7/23
- D. 244,246 5/1977 Daenen ..... D7/17
- D. 256,078 7/1980 Croyle ..... D7/16
- D. 269,148 5/1983 Trkla et al. .... D7/77
- D. 271,555 11/1983 Daenen ..... D7/78
- D. 276,139 10/1984 Rayner ..... D9/352

- D. 278,514 4/1985 Moore ..... D9/341
- 1,514,379 11/1924 Fleischer .
- 3,194,423 7/1965 Malloff ..... 215/1
- 3,326,363 6/1967 Bennett ..... 206/47

FOREIGN PATENT DOCUMENTS

- 956785 12/1948 France ..... 220/355

OTHER PUBLICATIONS

Copy of photograph of "Astro-Dome Yogurt" container.

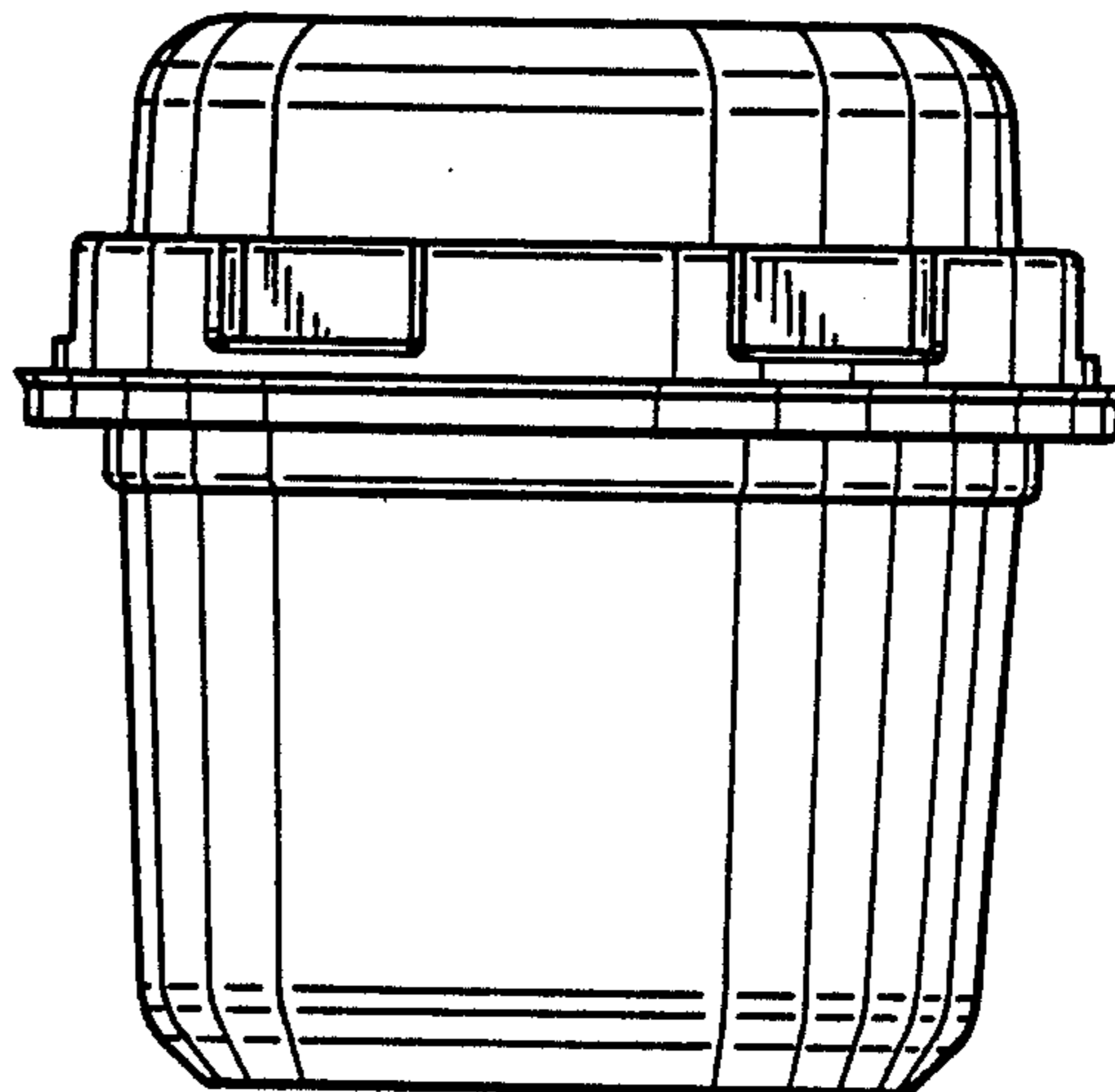
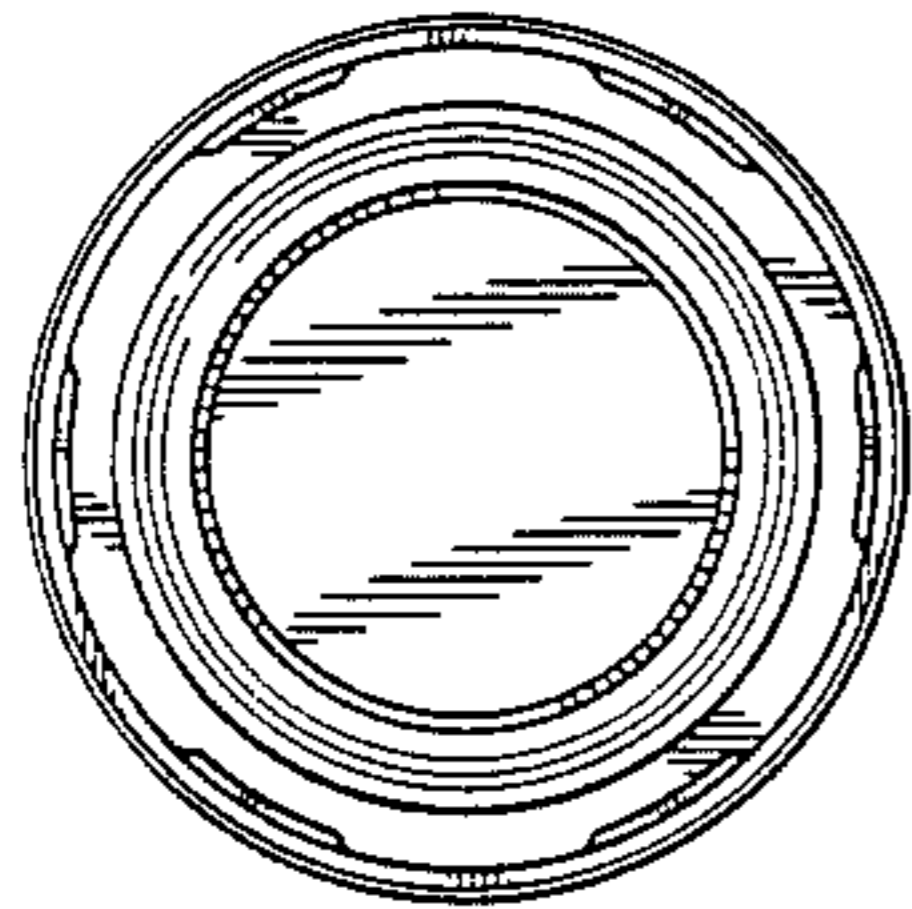
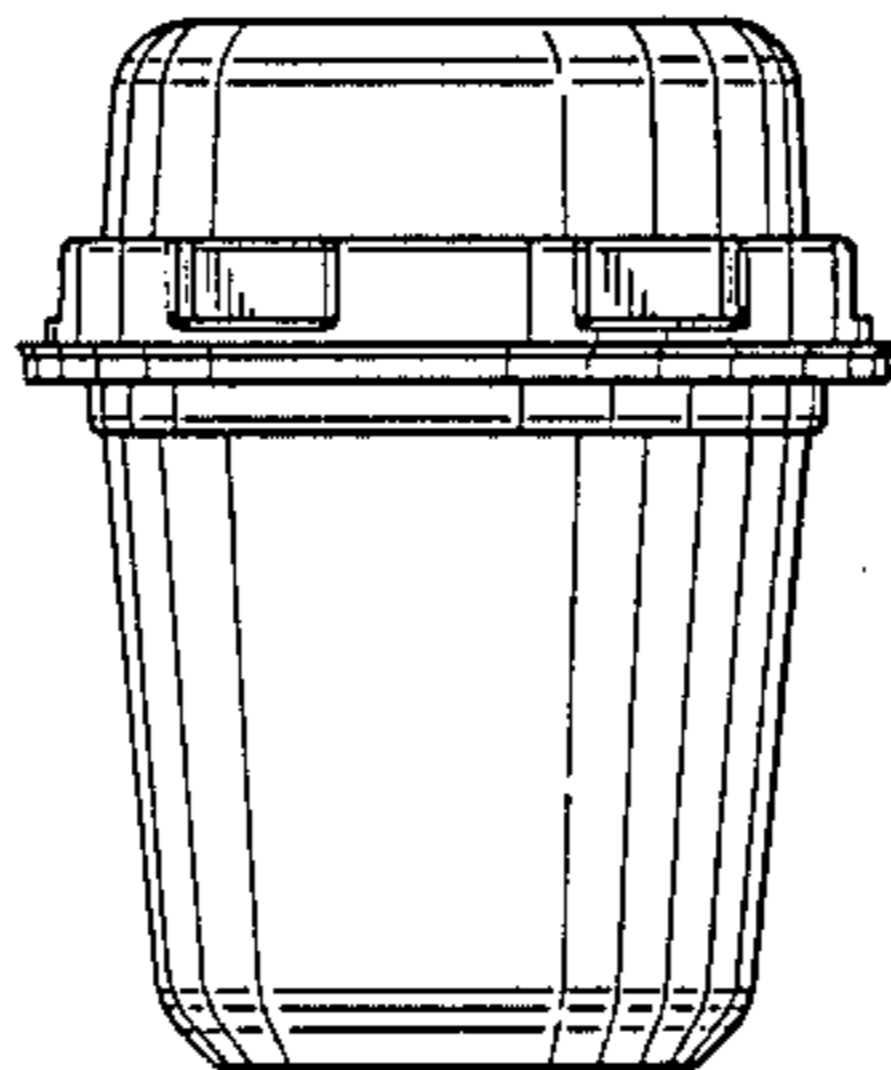
Primary Examiner—B. J. Bullock  
Assistant Examiner—Sandra Morris  
Attorney, Agent, or Firm—Fitch, Even, Tabin & Flannery

[57] CLAIM

The ornamental design for a packaging container, as shown and described.

DESCRIPTION

FIG. 1 is a side elevational view of a packaging container showing our new design, all sides being identical; FIG. 2 is a top plan view thereof; FIG. 3 is a bottom plan view thereof; FIG. 4 is a side elevational view of a second embodiment of FIG. 1, all sides being identical; FIG. 5 is a top plan view of FIG. 4; FIG. 6 is a bottom plan view of FIG. 4.



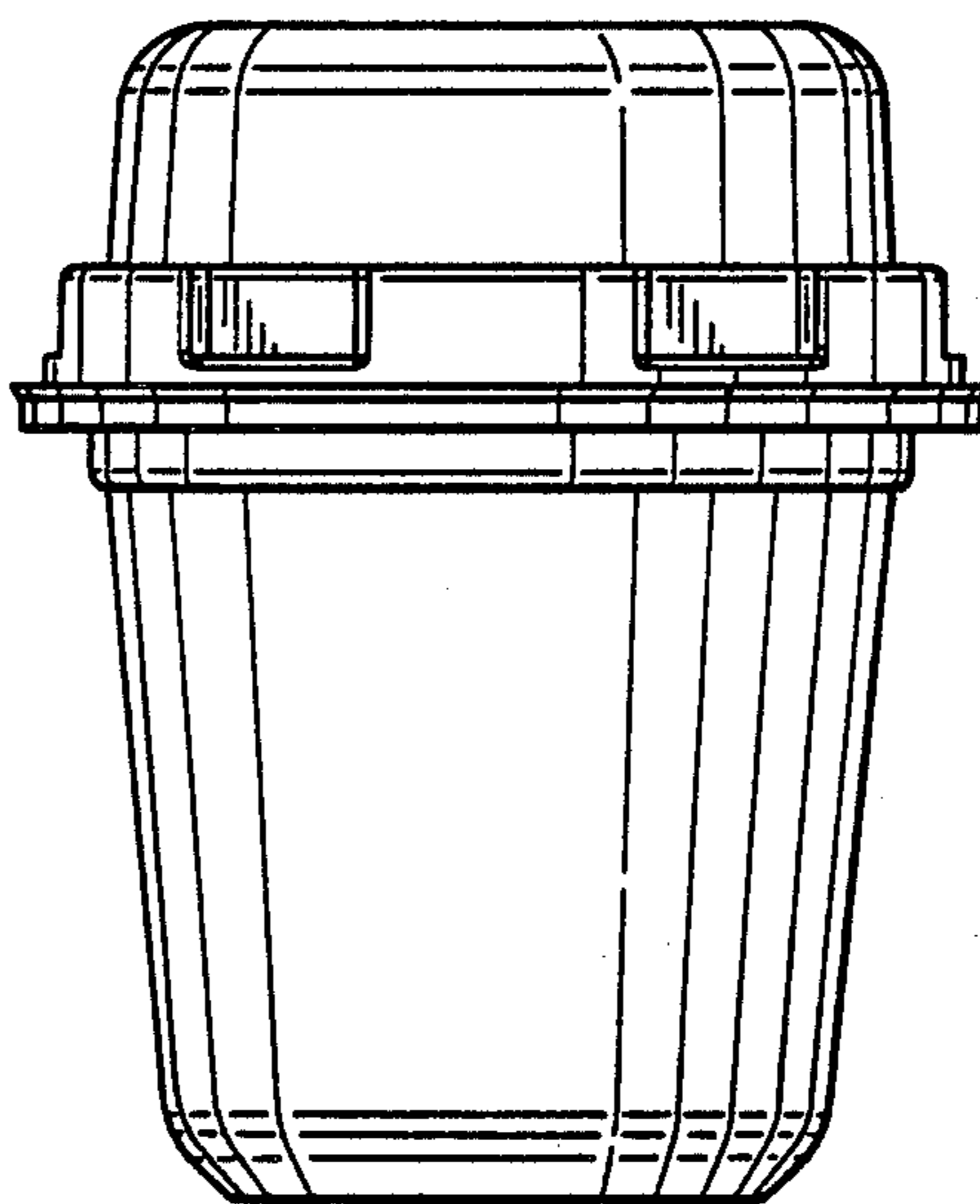


FIG. 1

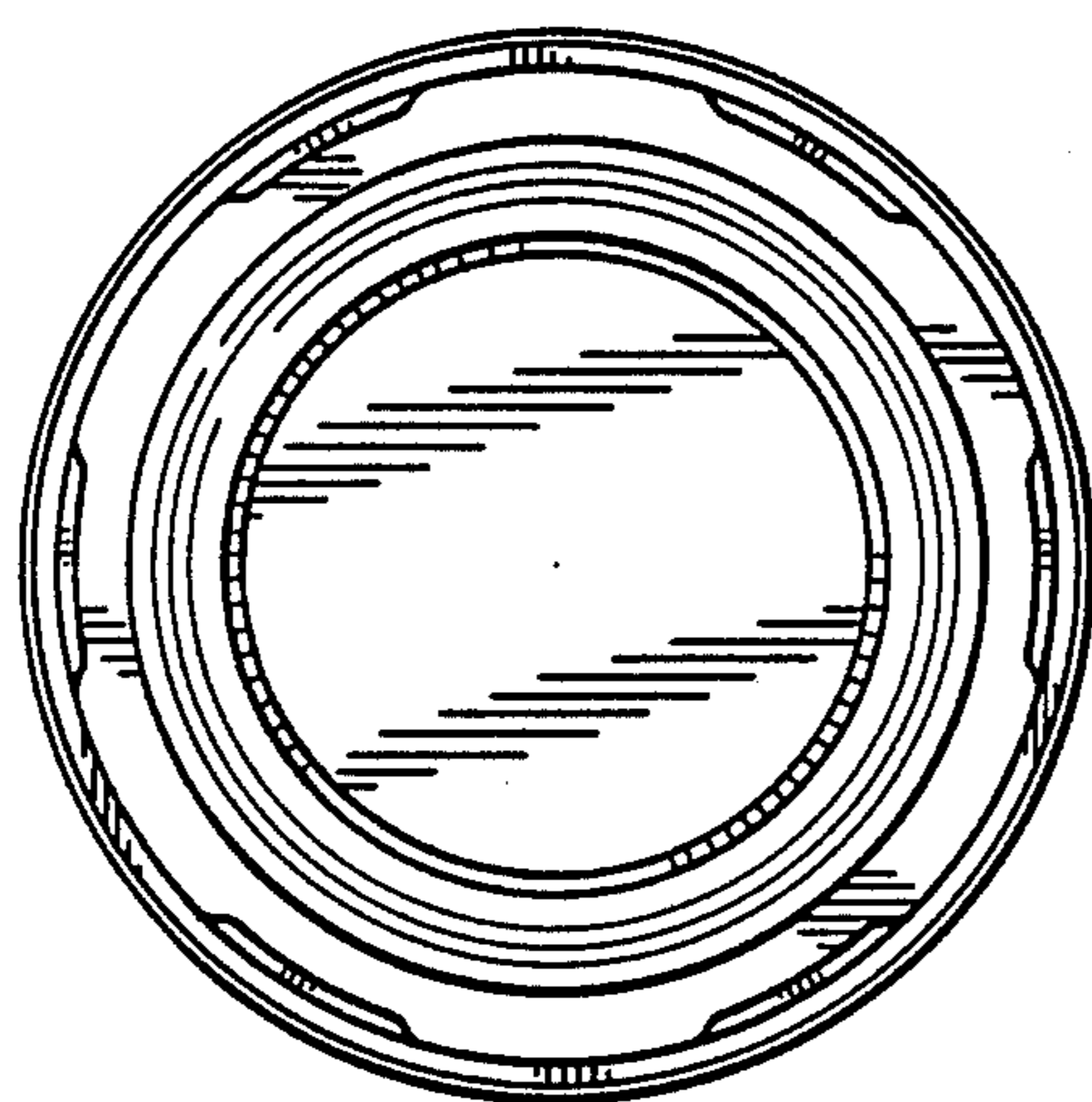


FIG. 2

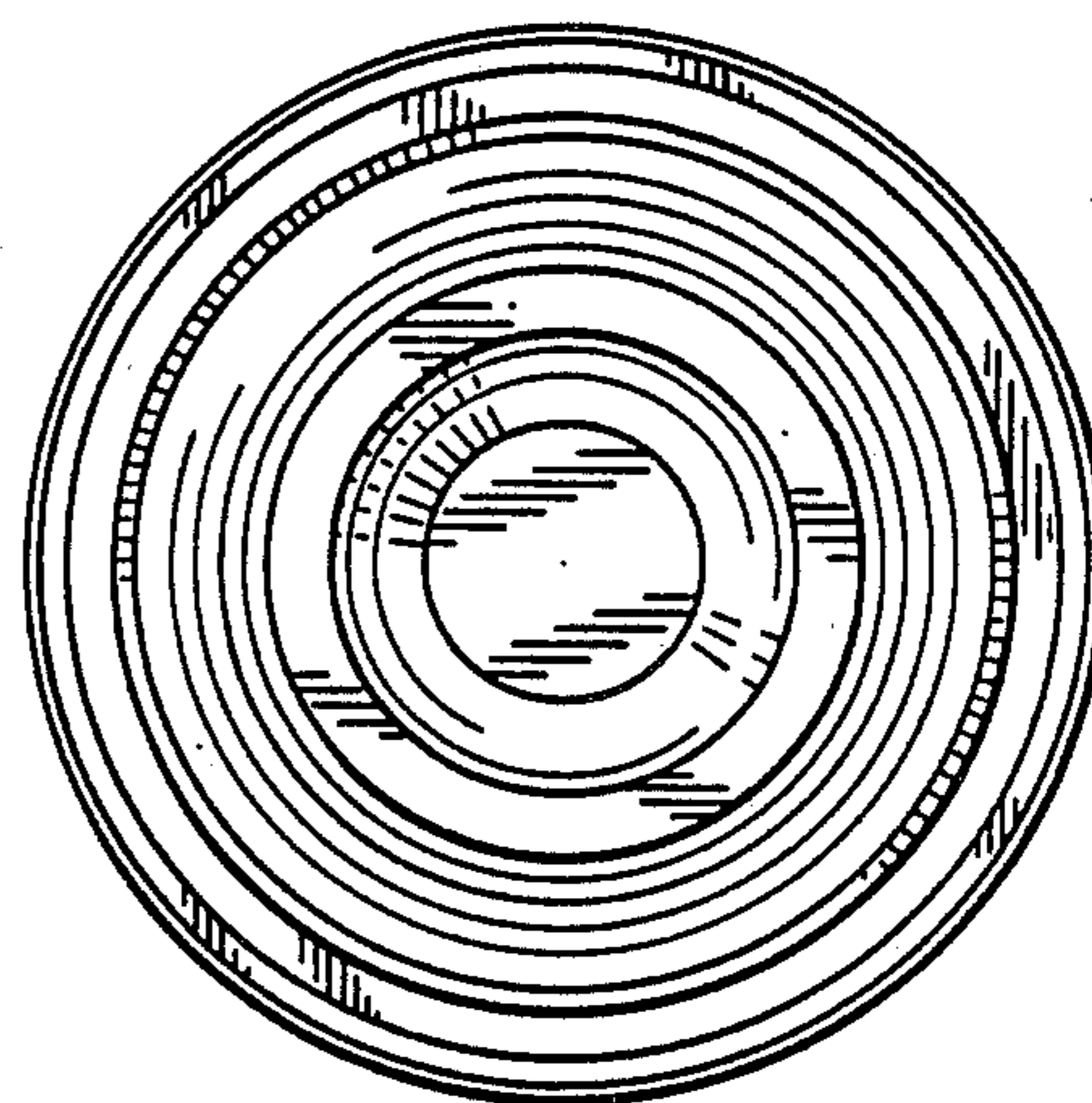


FIG. 3

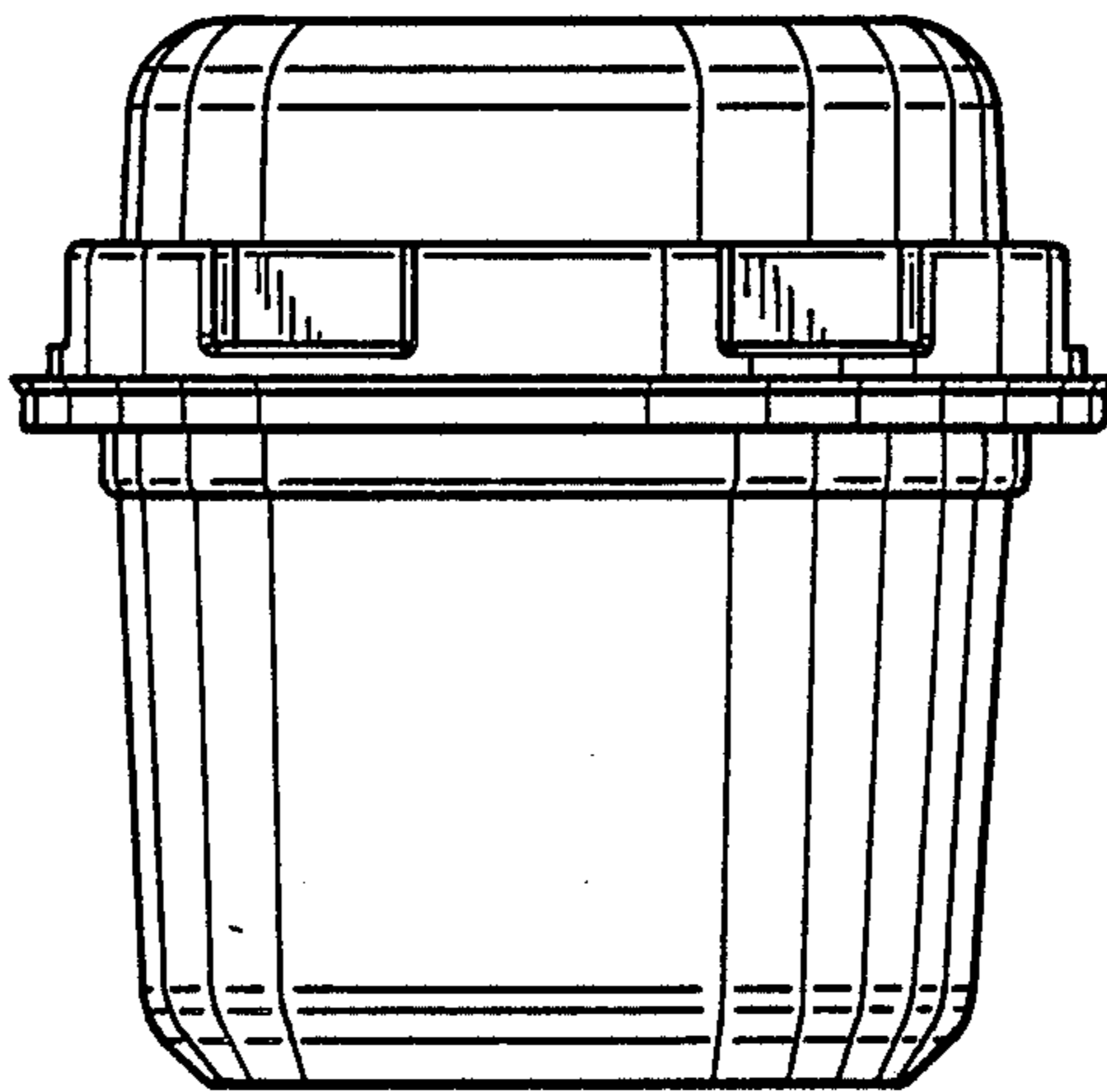


FIG. 4

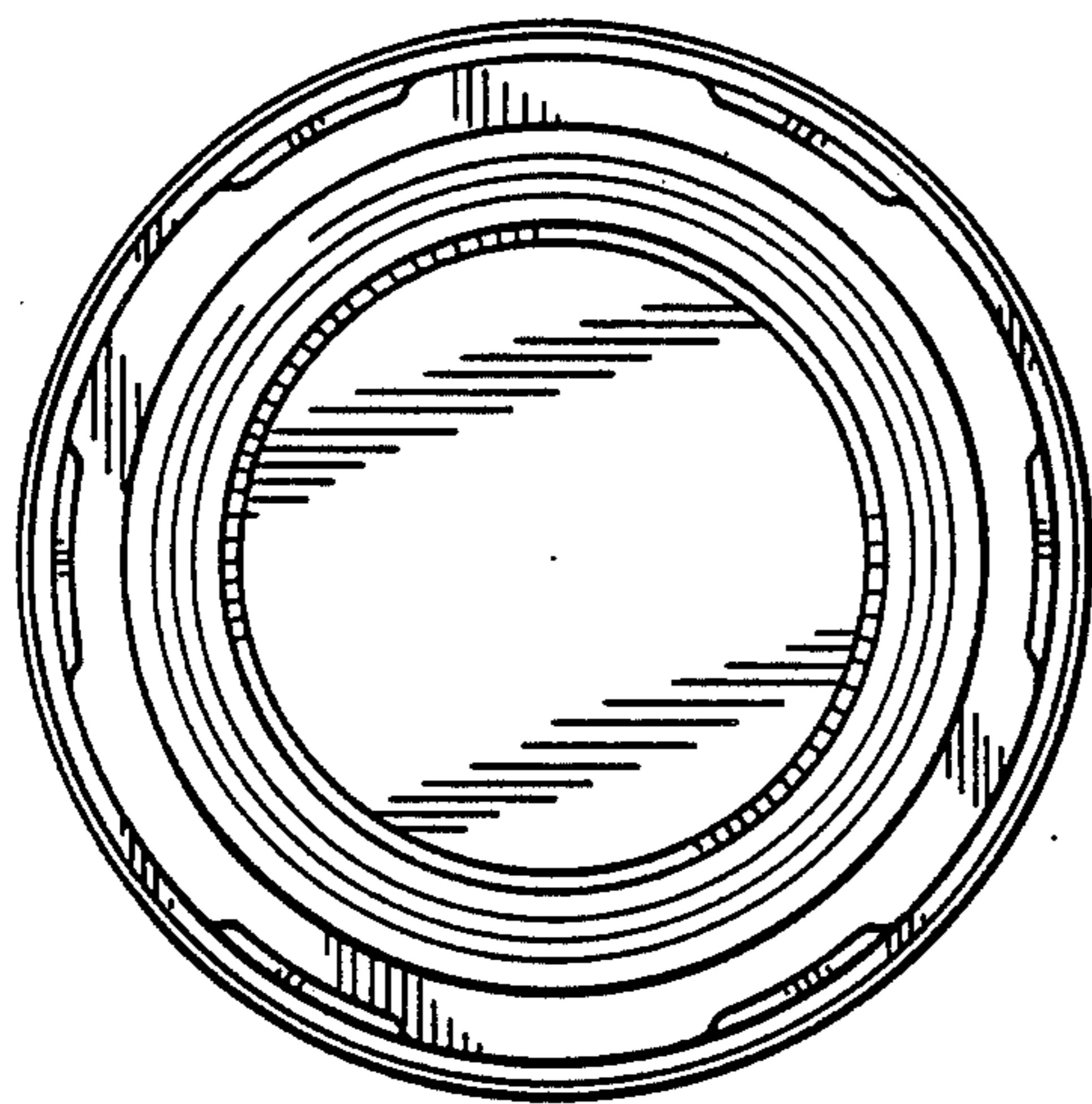


FIG. 5

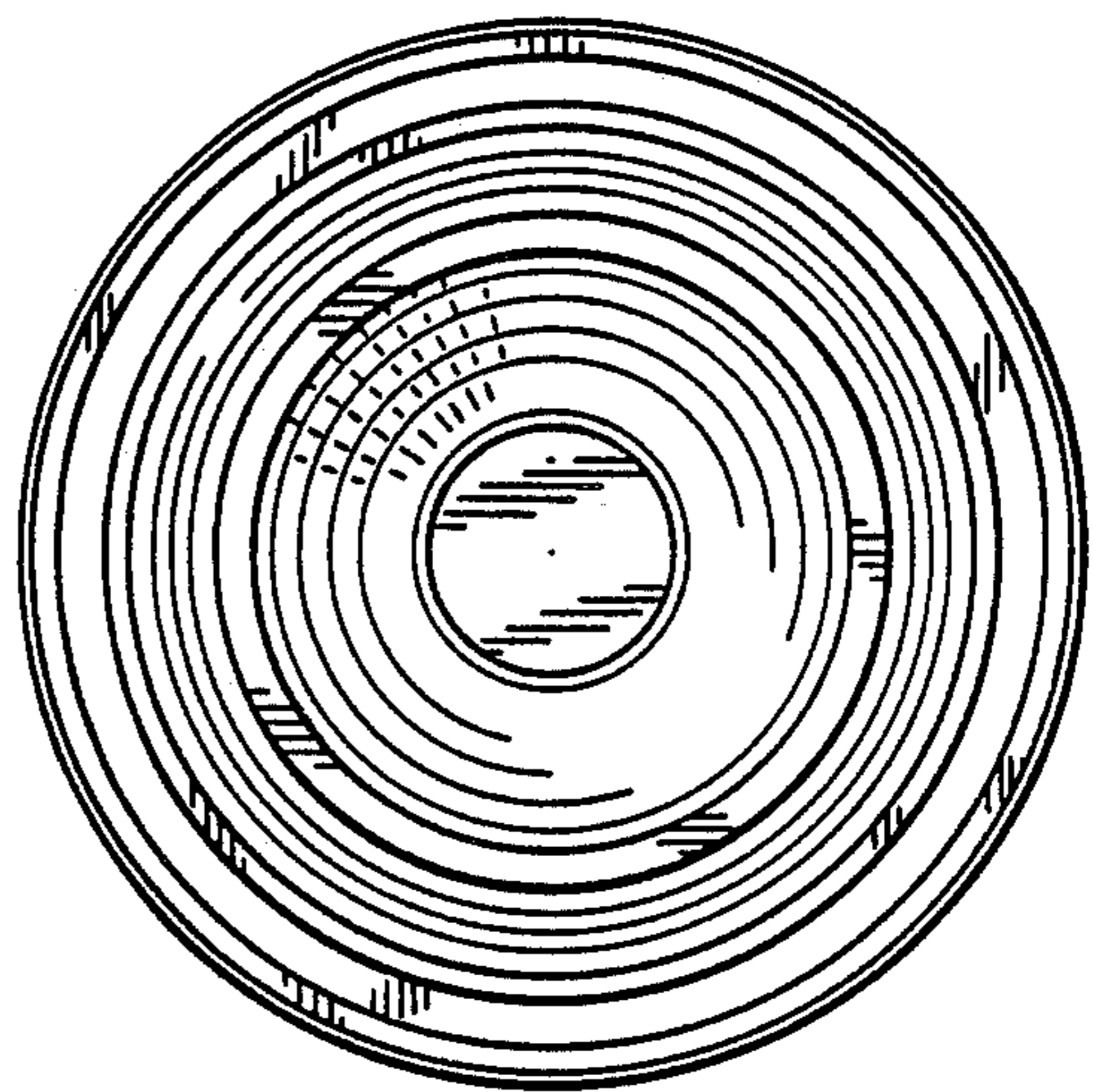


FIG. 6