

[54] COMBINED CLIP AND MOUNTING STUD

[75] Inventor: Paul A. Tres, Birmingham, Mich.

[73] Assignee: E. I. Du Pont de Nemours and Company, Wilmington, Del.

[\*\*] Term: 14 Years

[21] Appl. No.: 143,148

[22] Filed: Jan. 12, 1988

[52] U.S. Cl. .... D8/396; D8/382

[58] Field of Search ..... D8/382, 394-396, D8/356; 248/71, 74.1, 74.4; 24/20 R, 20 EE

[56] References Cited

U.S. PATENT DOCUMENTS

|            |         |              |       |        |
|------------|---------|--------------|-------|--------|
| D. 204,159 | 3/1966  | Piasecki     | ..... | D8/395 |
| D. 274,213 | 6/1984  | Omata        | ..... | D8/356 |
| 3,463,427  | 8/1969  | Fisher       | ..... | 248/68 |
| 3,667,710  | 6/1972  | Moody et al. | ..... | 248/71 |
| 3,905,570  | 9/1975  | Nieuwveld    | ..... | 248/71 |
| 3,913,187  | 10/1975 | Okuda        | ..... | 24/255 |
| 4,371,137  | 2/1983  | Anscher      | ..... | 248/73 |

|           |         |                |       |          |
|-----------|---------|----------------|-------|----------|
| 4,386,752 | 6/1983  | Pavlak et al.  | ..... | 248/73   |
| 4,447,934 | 5/1984  | Anscher        | ..... | 24/16    |
| 4,478,381 | 10/1984 | Pittion et al. | ..... | 248/71   |
| 4,557,024 | 12/1985 | Roberts et al. | ..... | 24/20 EE |
| 4,561,153 | 12/1985 | Matsui         | ..... | 24/16    |
| 4,840,345 | 6/1989  | Neil et al.    | ..... | 248/74.2 |

FOREIGN PATENT DOCUMENTS

|         |        |        |       |          |
|---------|--------|--------|-------|----------|
| 2248432 | 5/1975 | France | ..... | 248/74.2 |
|---------|--------|--------|-------|----------|

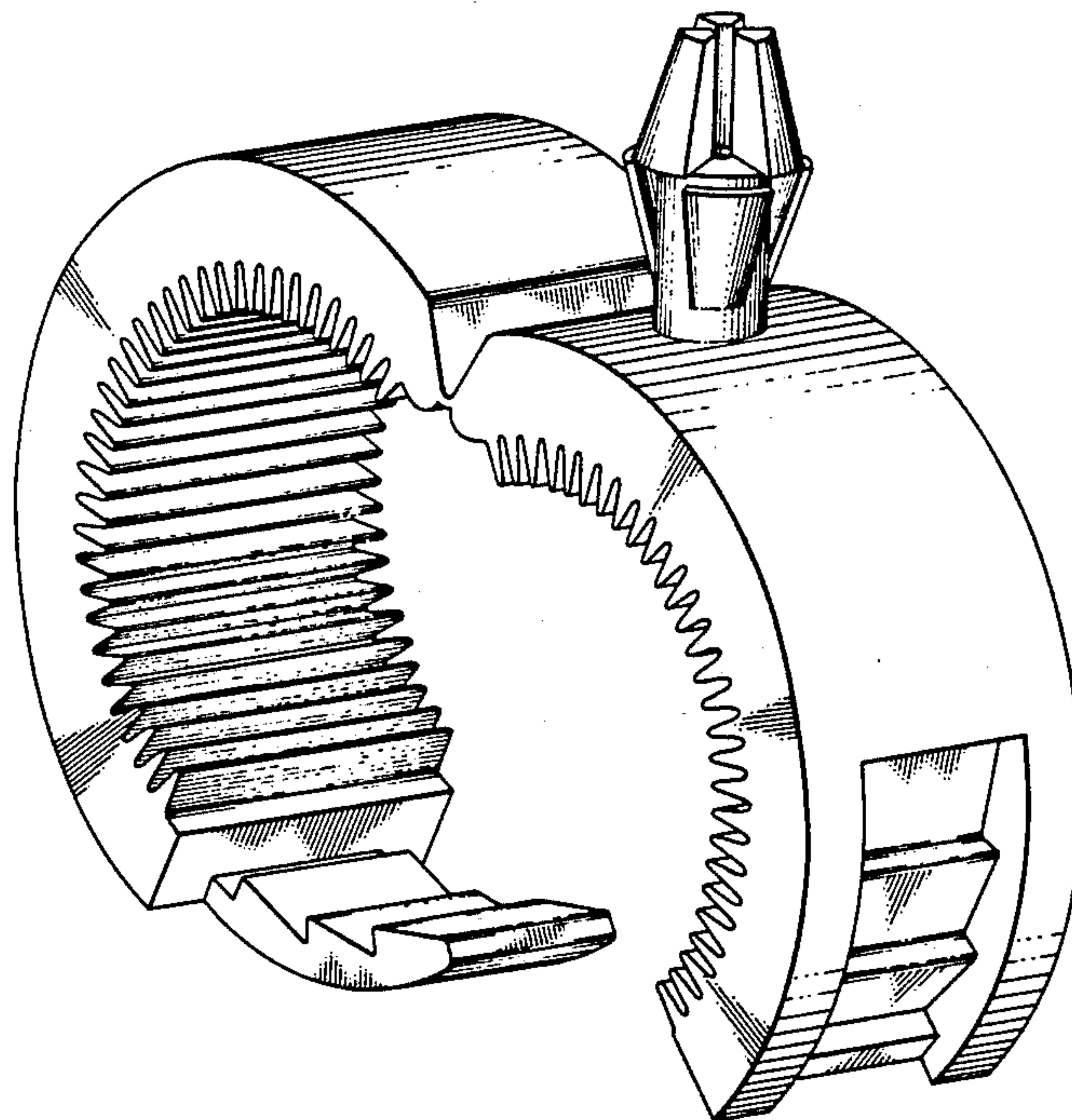
Primary Examiner—B. J. Bullock  
Attorney, Agent, or Firm—James T. Corle

[57] CLAIM

The ornamental design for a combined clip and mounting stud, as shown.

DESCRIPTION

FIG. 1 is a perspective view of a combined clip and mounting stud showing my new design in its open position;  
FIG. 2 is a rear elevational view thereof;  
FIG. 3 is a right side elevational view thereof;  
FIG. 4 is a left side elevational view thereof;  
FIG. 5 is a bottom plan view thereof.



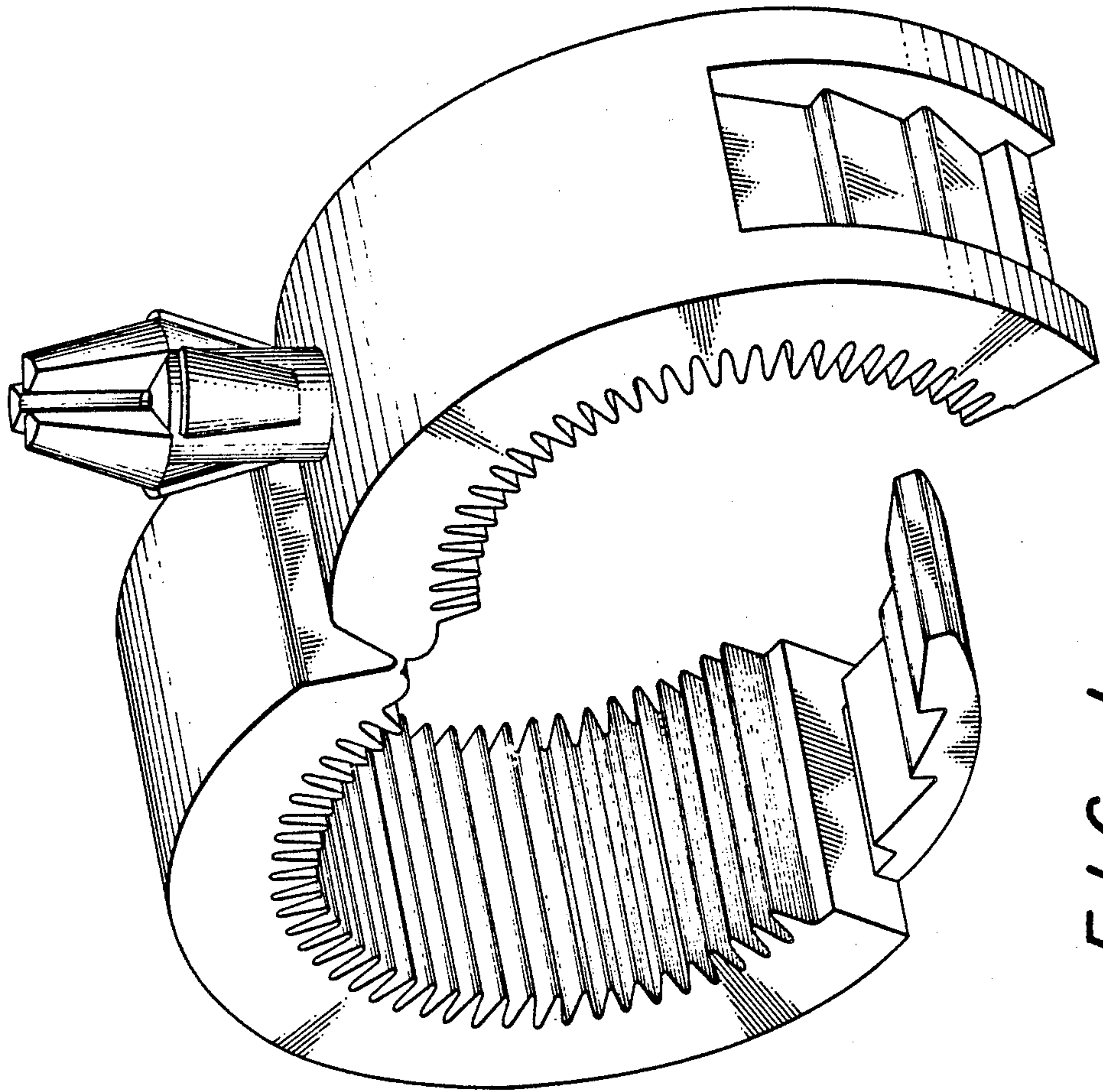


FIG. 1

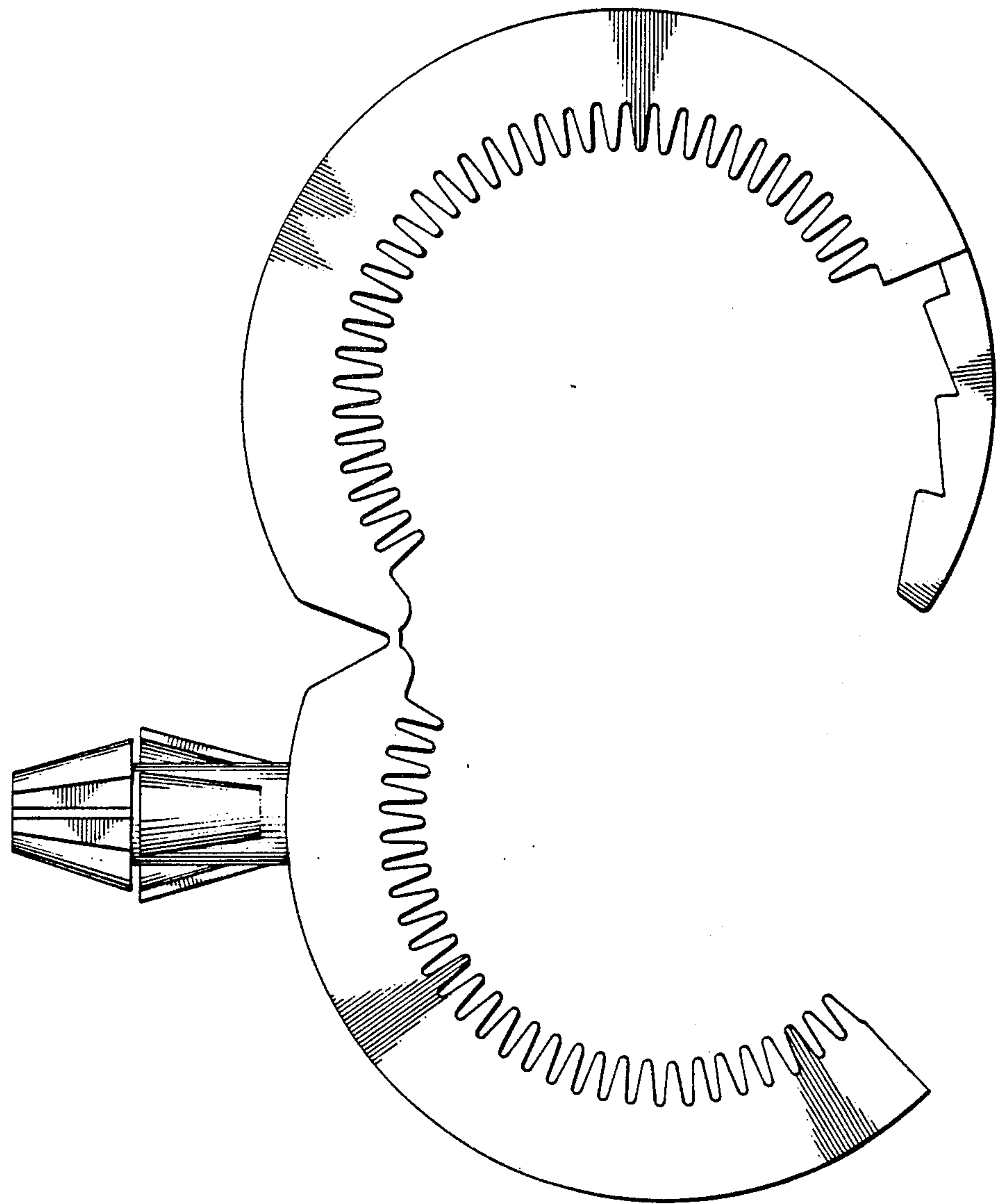


FIG. 2

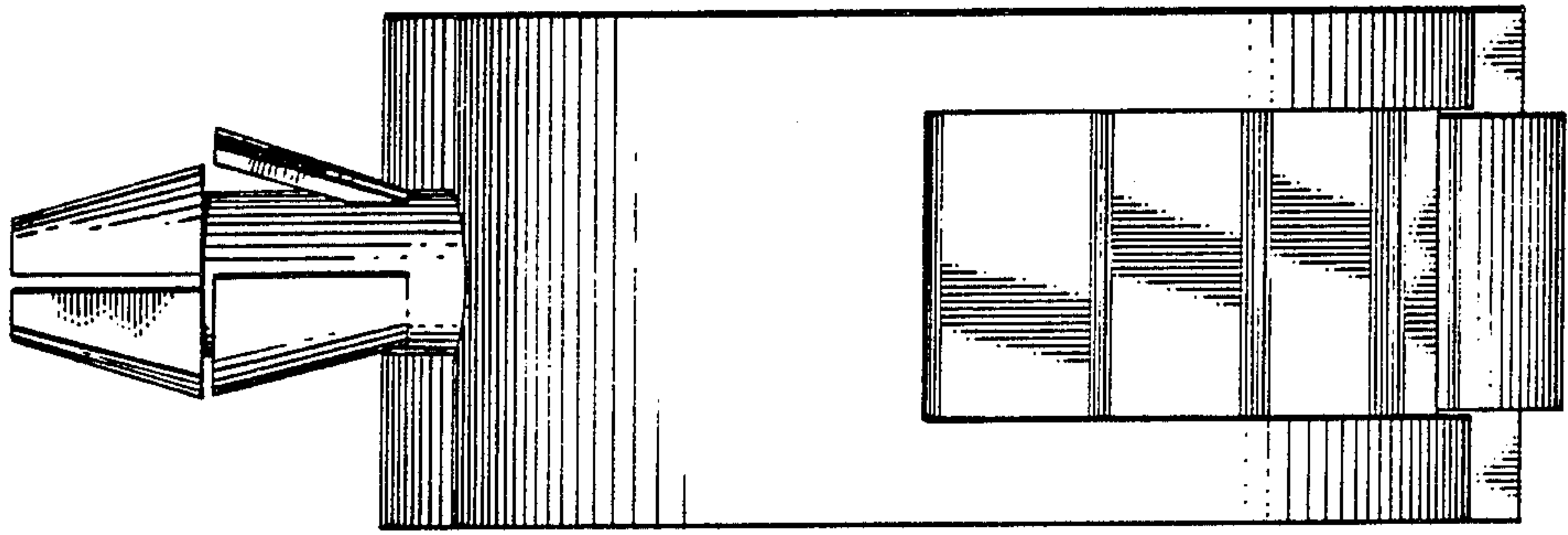


FIG. 3

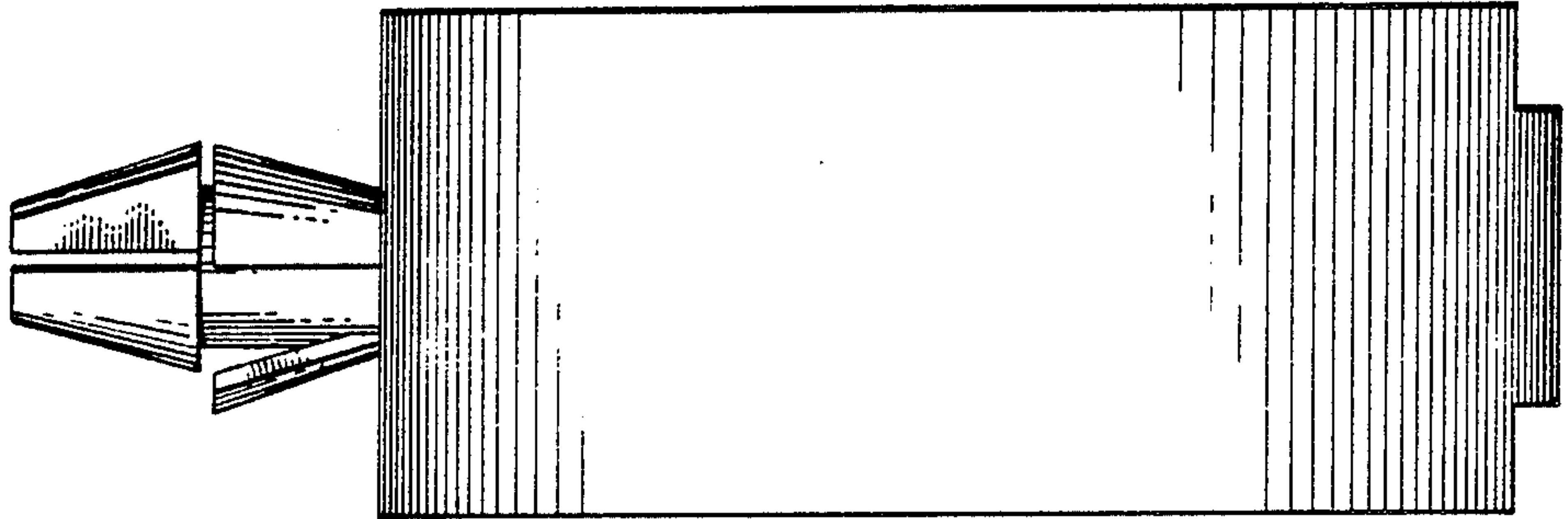


FIG. 4

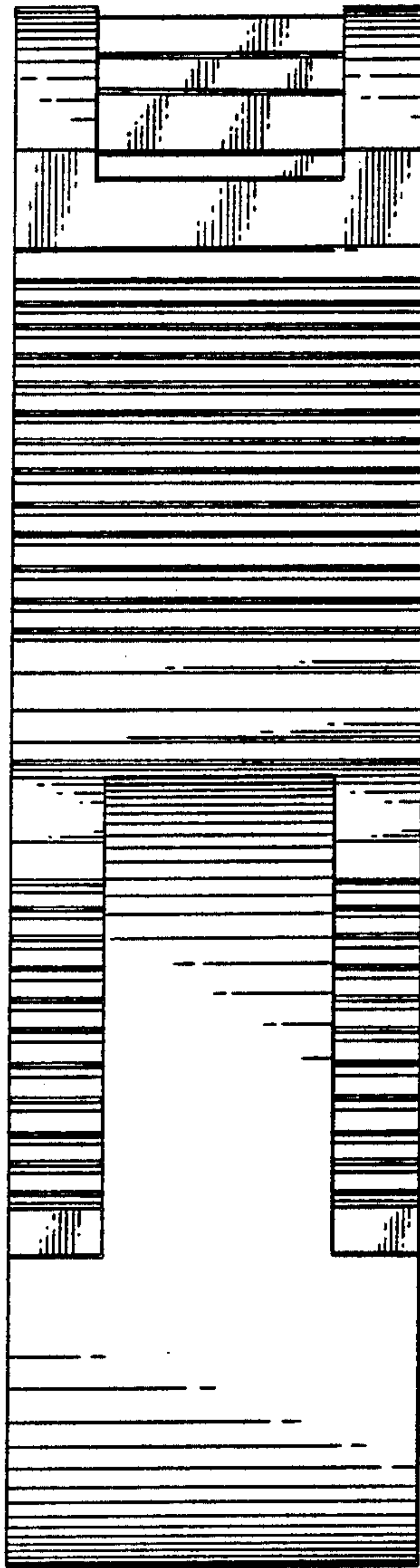


FIG. 5