

[54] CLIP FOR UNITING AN ELECTRONIC DEVICE WITH AN EXTRUDED HEAT SINK

4,710,852 12/1987 Keen 165/80.3
4,712,850 12/1987 Seidler 439/816

[75] Inventor: Alfred F. McCarthy, Belmont, N.H.

Primary Examiner—B. J. Bullock
Attorney, Agent, or Firm—Fish & Richardson

[73] Assignee: Aavid Engineering, Inc., Laconia, N.H.

[57] CLAIM

[**] Term: 14 Years

The ornamental design for a clip for uniting an electronic device with an extruded heat sink, as shown and described.

[21] Appl. No.: 24,803

DESCRIPTION

[22] Filed: Mar. 12, 1987

[52] U.S. Cl. D8/395; D13/179

[58] Field of Search D8/382, 394, 395;
D13/12, 23, 24, 99; 24/530, 545, 546, 563;
439/775, 786, 816; 165/80.1, 80.2, 80.3

FIG. 1 is a perspective view of a clip for uniting an electronic device with an extruded heat sink showing my new design, the broken linework representing outlines of an associated electronic device and a portion of an extruded heat sink, both shown for illustrative purposes in relation to environmental structure and not being part of my claimed design;

FIG. 2 is a top plan view thereof;

FIG. 3 is a bottom plan view thereof;

FIG. 4 is a left side elevational view thereof;

FIG. 5 is a right side elevational view thereof;

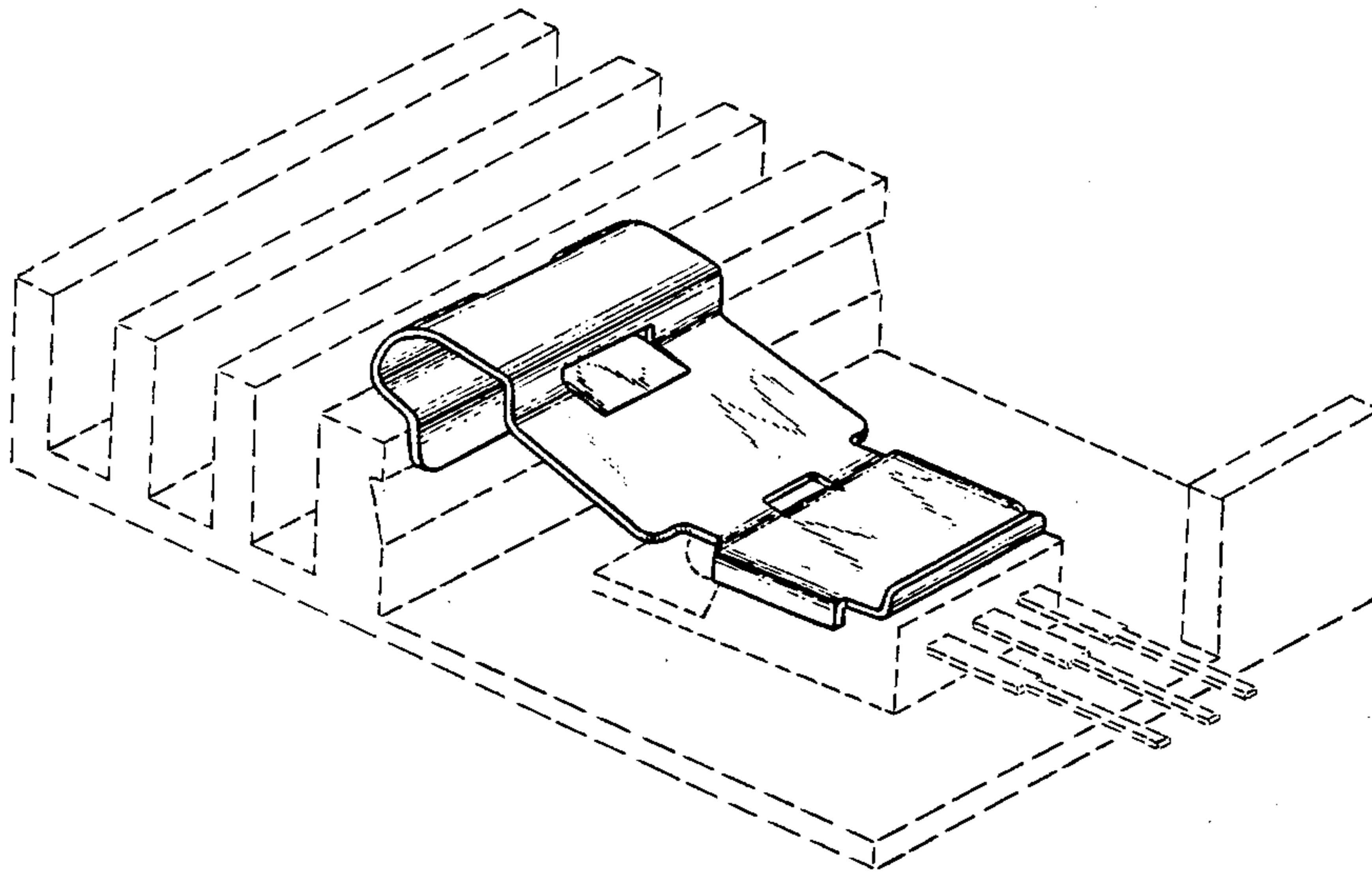
FIG. 6 is a front elevational view thereof; and

FIG. 7 is a rear elevational view thereof.

[56] References Cited

U.S. PATENT DOCUMENTS

D. 296,323	6/1988	McCarthy	D13/23
D. 296,324	6/1988	McCarthy	D13/23
3,891,298	6/1975	Yorgin	439/786
3,901,576	8/1975	Berman	439/786
4,423,920	1/1984	Cooper et al.	439/786



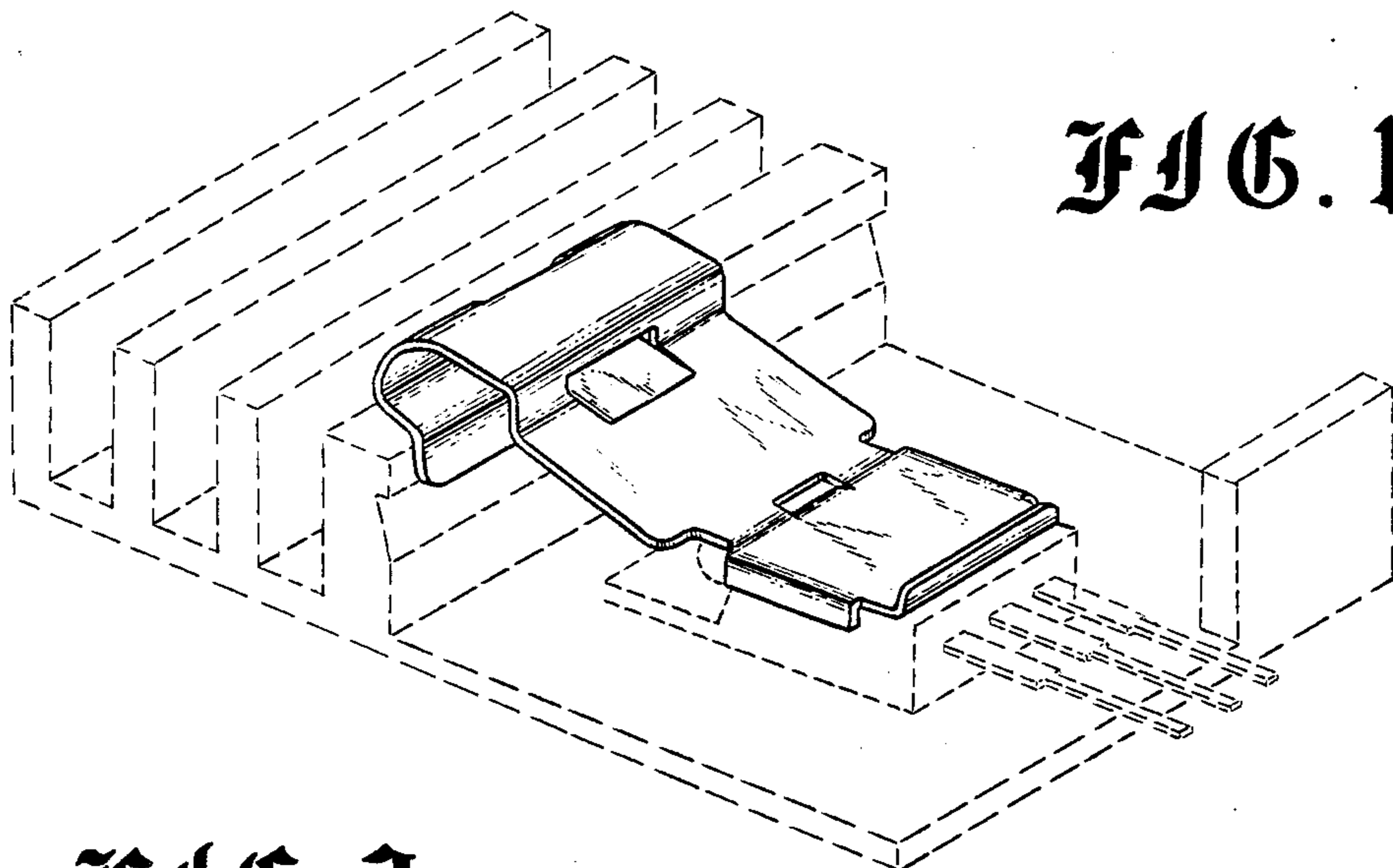


FIG. 1

FIG. 2

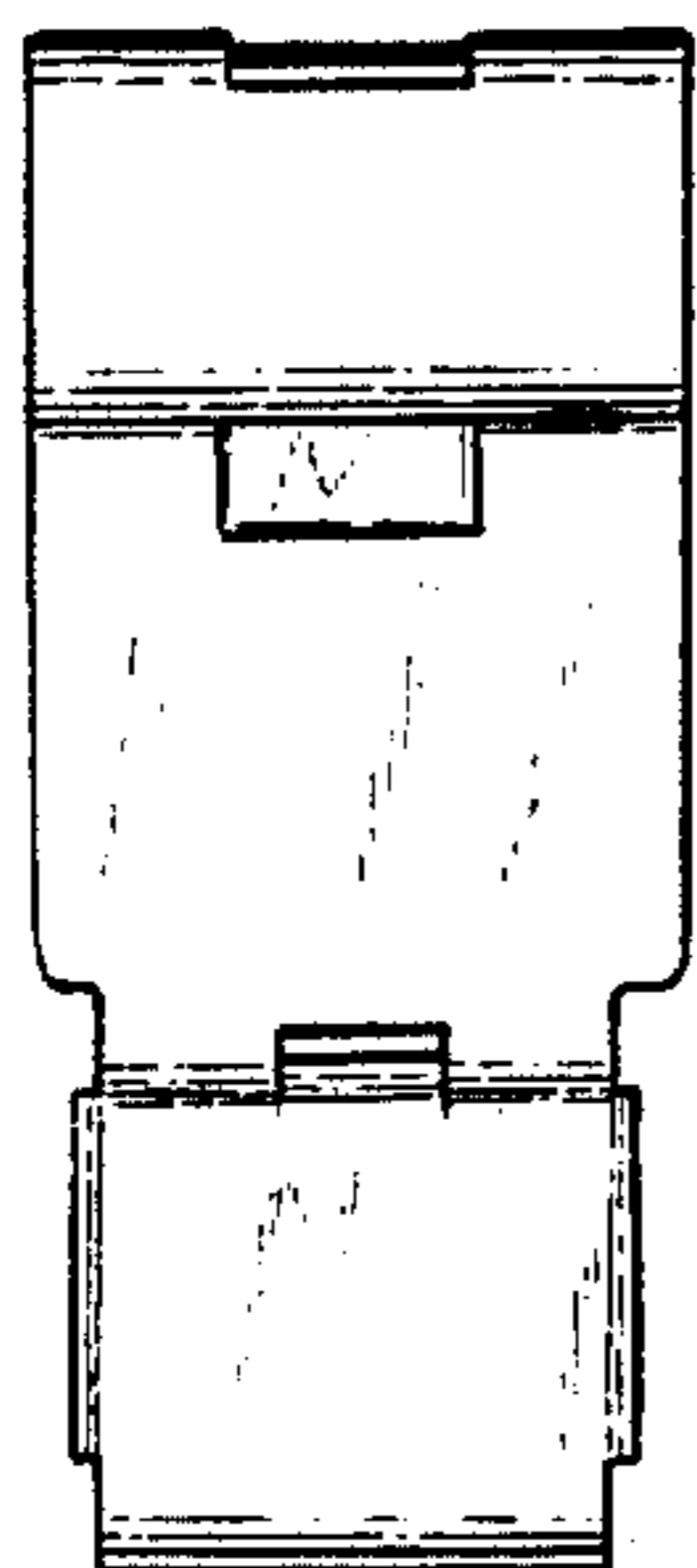


FIG. 3



FIG. 4



FIG. 5



FIG. 6

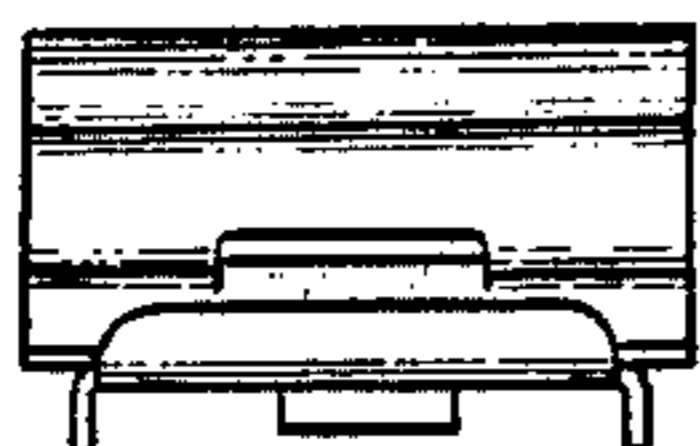


FIG. 7

