

[54] CLAMP FOR REPAIRING A TENNIS RACKET OR THE LIKE

[76] Inventor: Ching-Lien Hsu, No. 48, Lung Chiang Street, San Min Dist., Kaohsiung, Taiwan

[**] Term: 14 Years

[21] Appl. No.: 935,804

[22] Filed: Nov. 28, 1986

[52] U.S. Cl. D8/71; D8/74

[58] Field of Search D8/71-74, D8/394; 269/95, 97, 258, 268, 156; D15/140

[56] References Cited

U.S. PATENT DOCUMENTS

- D. 188,563 8/1960 Vixler D8/71
- D. 277,544 2/1985 DeCarolis D8/71

4,655,444 4/1987 Wang 269/156

Primary Examiner—Winifred E. Herrmann

Assistant Examiner—John Warchol

Attorney, Agent, or Firm—Browdy and Neimark

[57] CLAIM

The ornamental design for a clamp for repairing a tennis racket or the like, as shown and described.

DESCRIPTION

FIG. 1 is a front elevational view of a clamp for repairing a tennis racket or the like showing my new design; FIG. 2 is a rear elevational view thereof; FIG. 3 is a left side elevational view thereof; FIG. 4 is a right side elevational view thereof; FIG. 5 is a top plan view thereof; FIG. 6 is a bottom plan view thereof; and FIG. 7 is a top perspective view thereof on an enlarged scale.

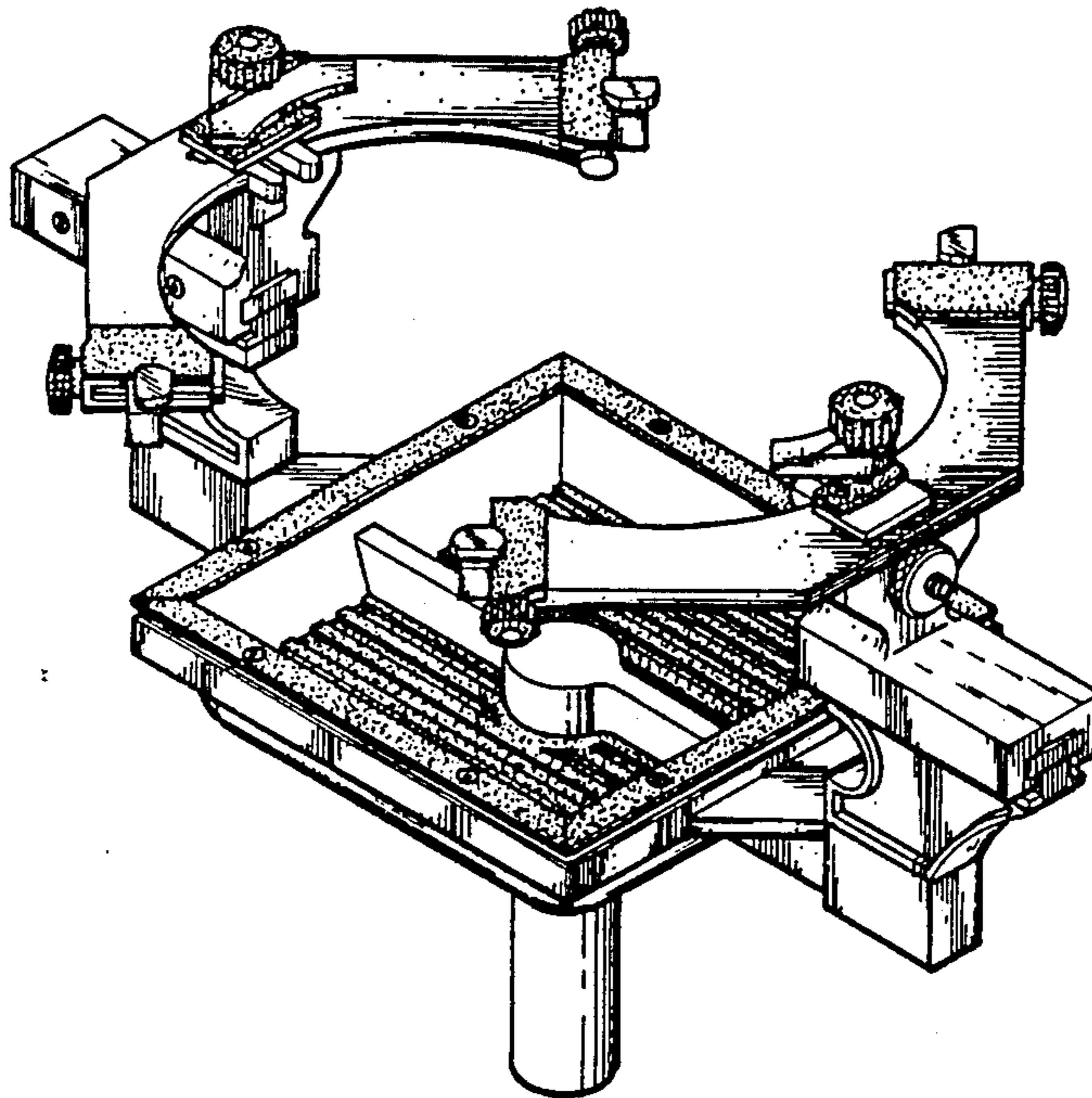


FIG. 1

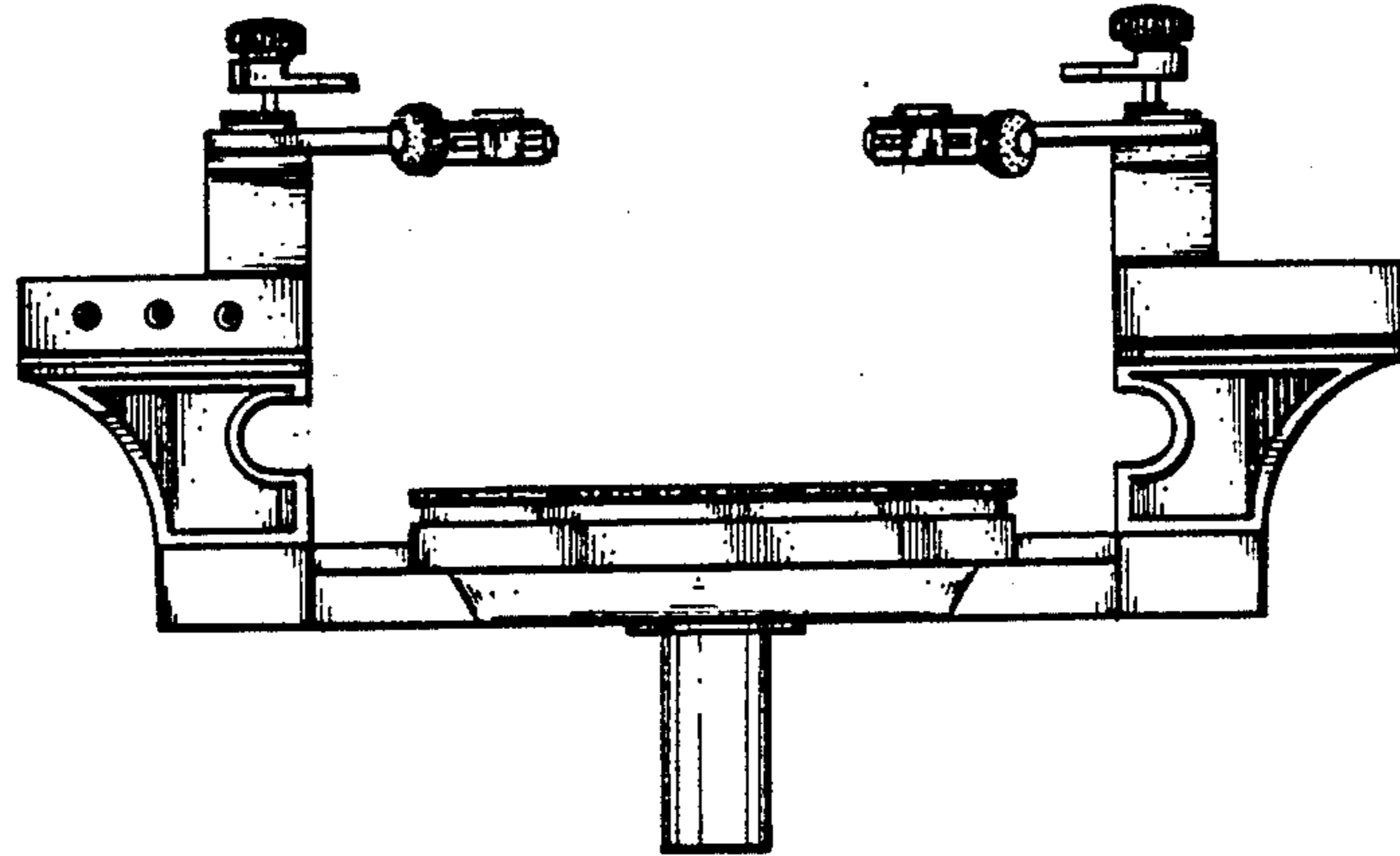


FIG. 2

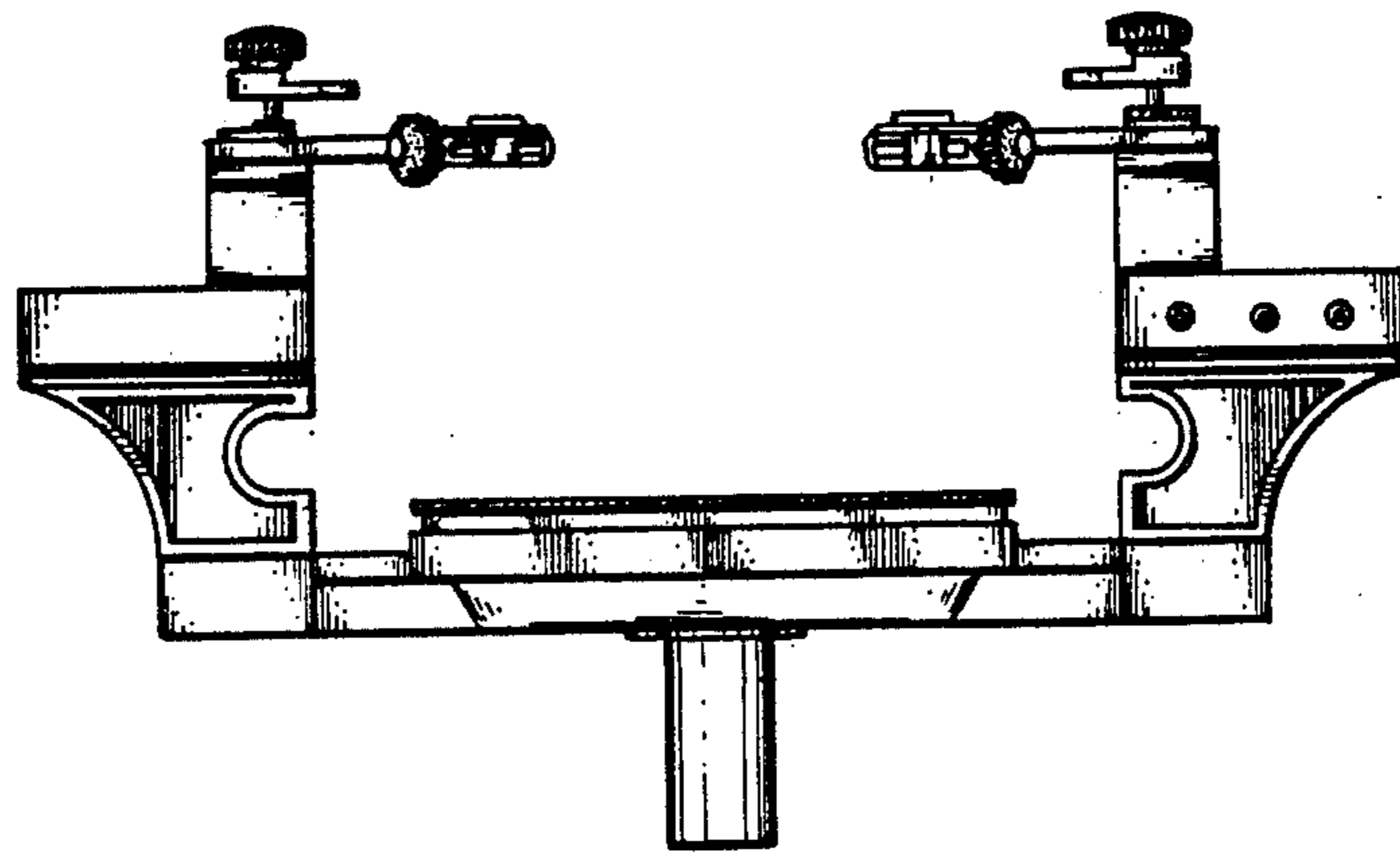


FIG. 3

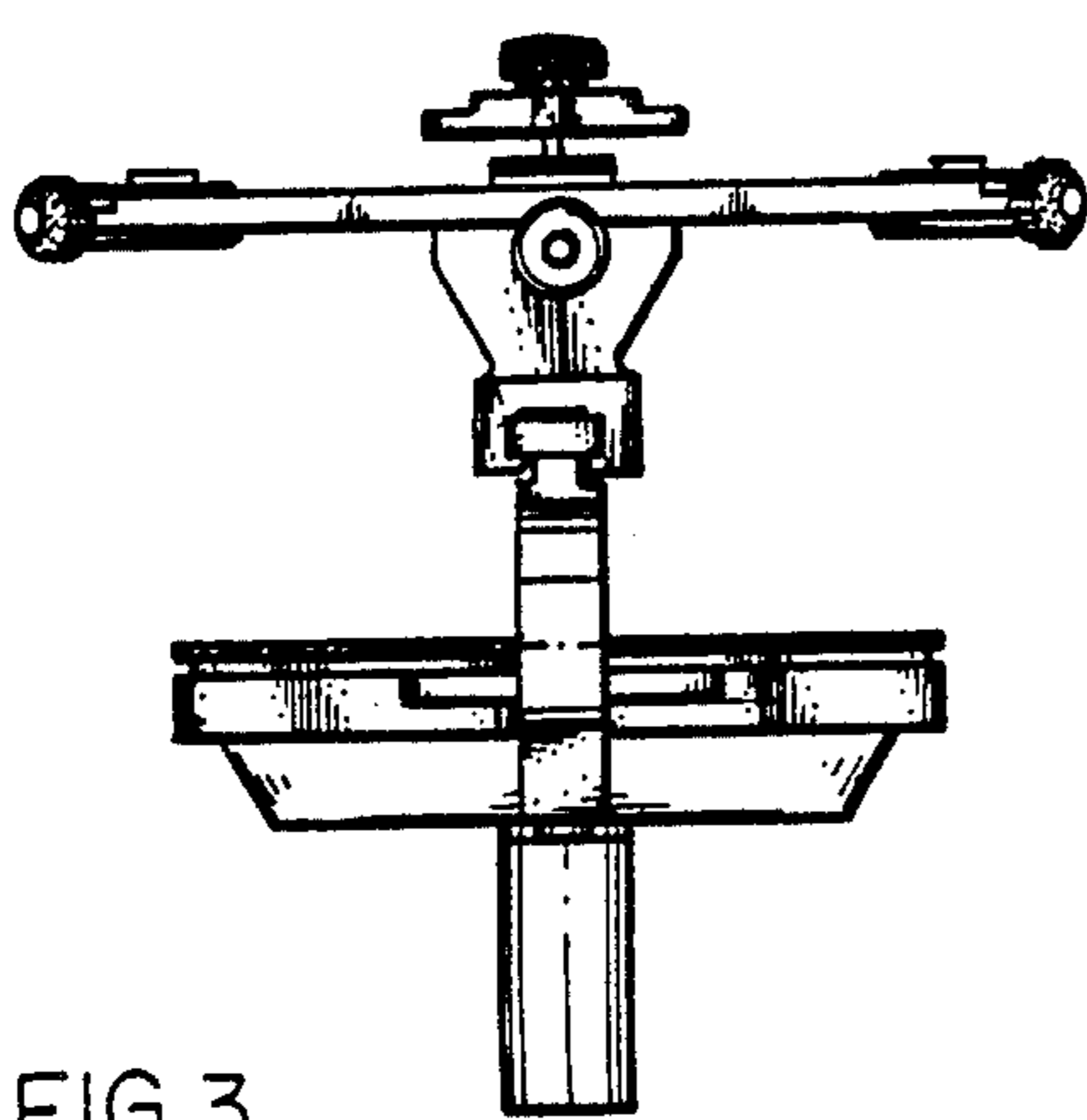


FIG. 4

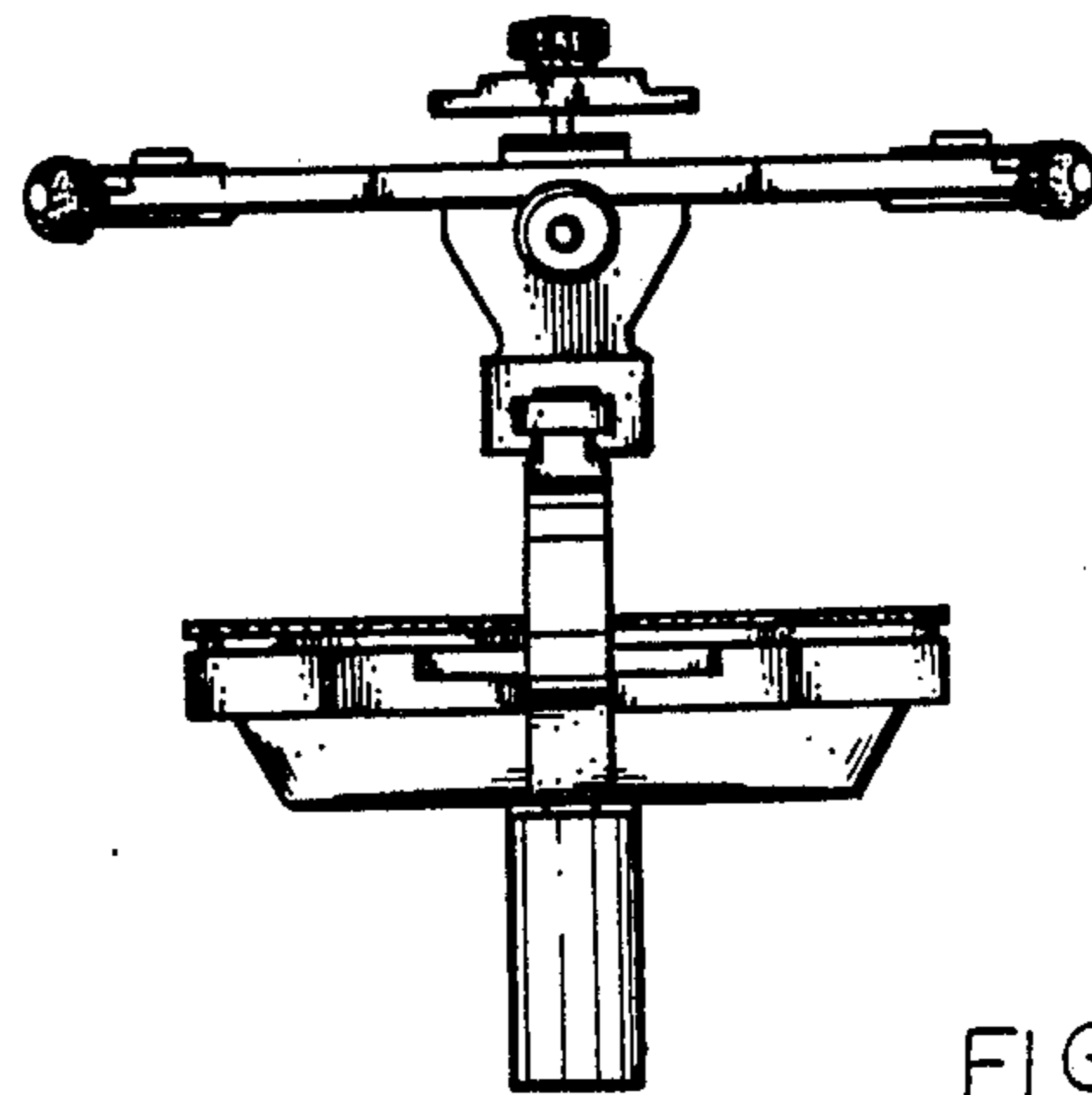
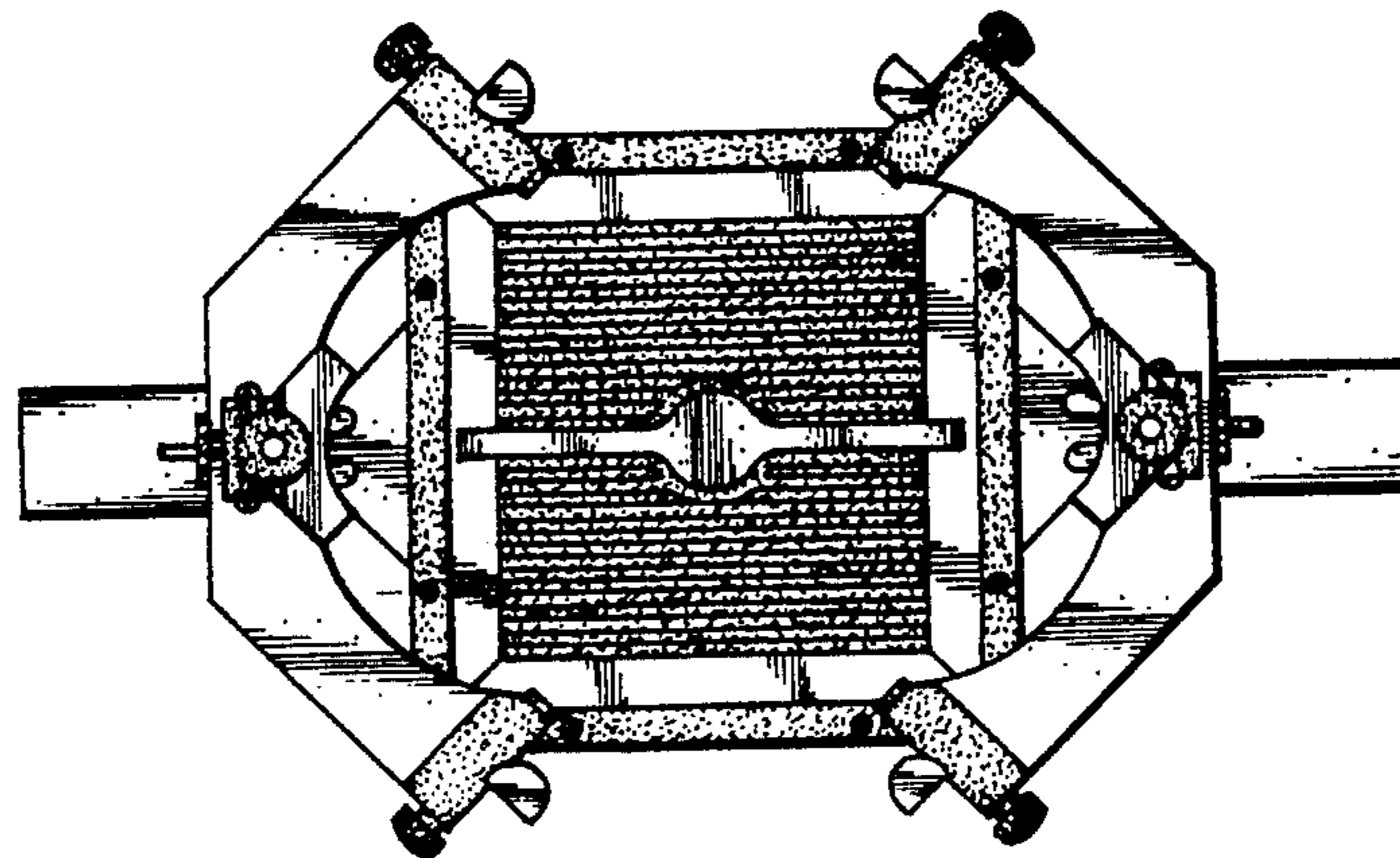


FIG. 5



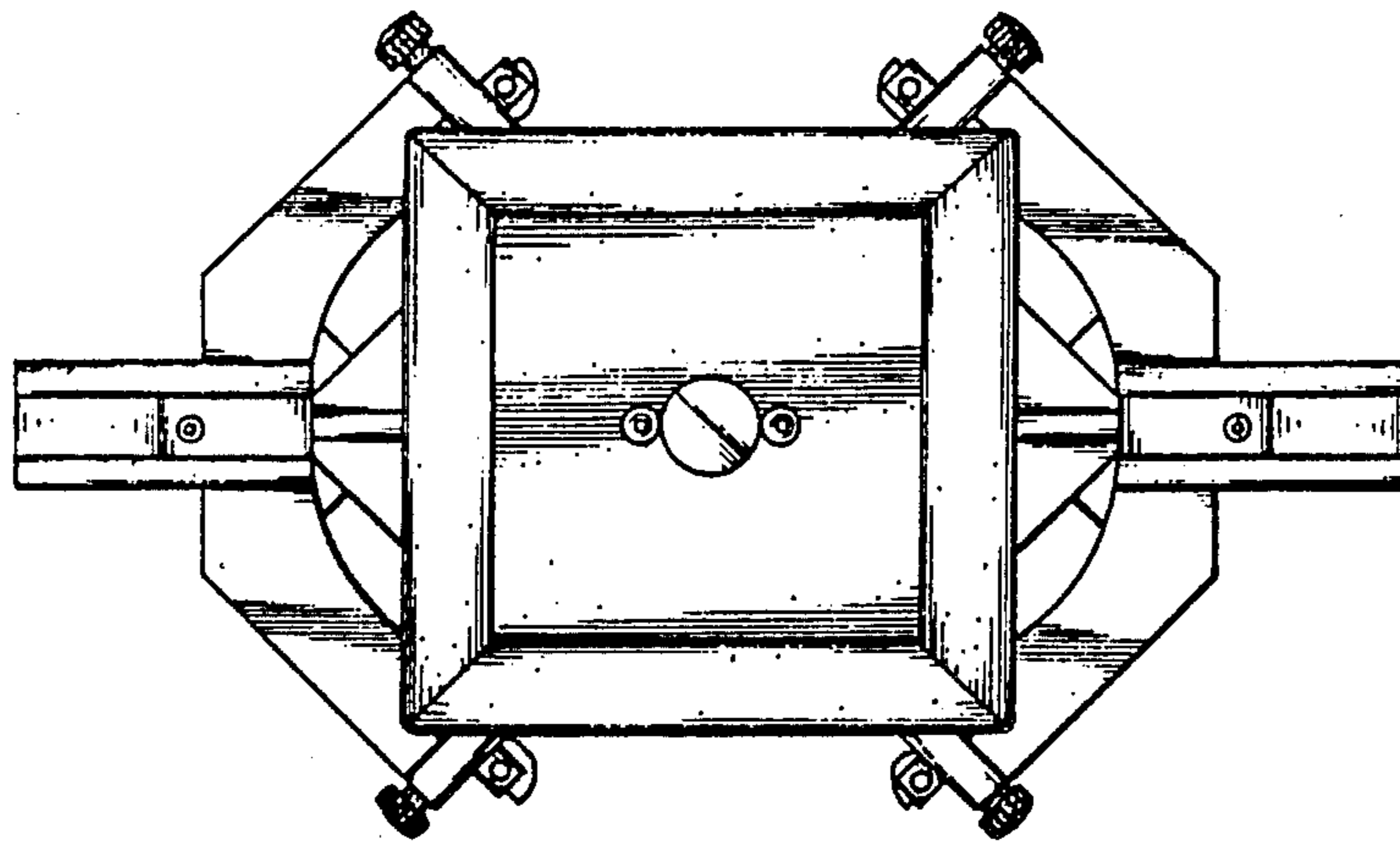


FIG. 6

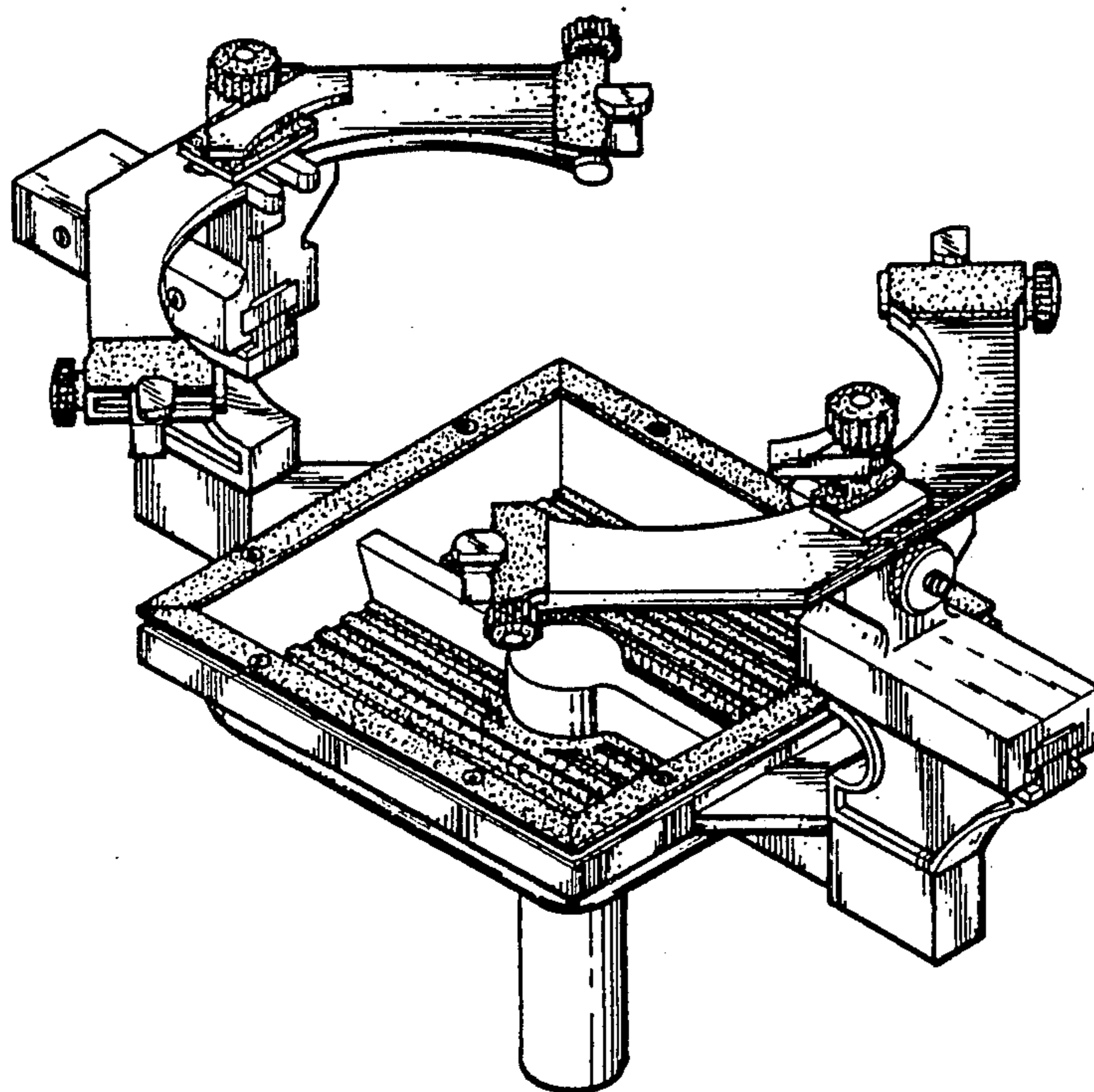


FIG. 7