

[54] **HOLDER FOR FOOD SLICING AND GRATING BLADE**

[75] Inventors: **Victor J. J. Cautereels, Borsbeek; Robert H. C. M. Daenen, Erembodegem, both of Belgium**

[73] Assignee: **Dart Industries, Deerfield, Ill.**

[**] Term: **14 Years**

[21] Appl. No.: **83,992**

[22] Filed: **Aug. 10, 1987**

[52] U.S. Cl. **D7/641; D7/386**

[58] Field of Search **D7/43, 386; 241/273.1-273.4**

[56] **References Cited**

U.S. PATENT DOCUMENTS

2,720,234 10/1955 Fett 241/273.1

Primary Examiner—Bernard Ansher
Assistant Examiner—Terry A. Pfeffer
Attorney, Agent, or Firm—Russell L. McIlwain

[57] **CLAIM**

The ornamental design for a holder for food slicing and grating blade, as shown and described.

DESCRIPTION

FIG. 1 is a front perspective view of a holder for food slicing and grating blade showing our new design, the blade shown in broken lines for illustrative purposes only.

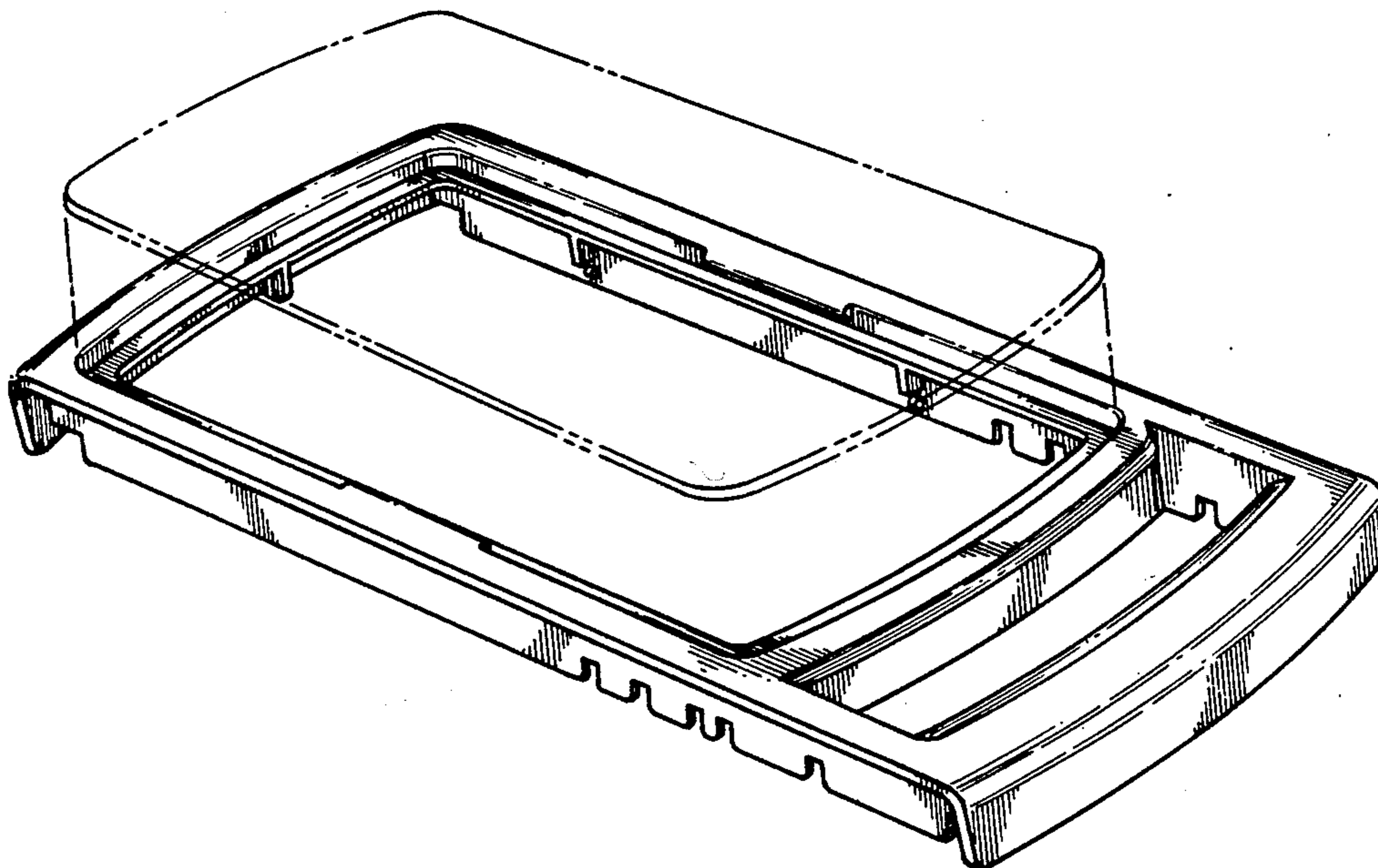
FIG. 2 is a left side elevational view, the opposite side being substantially a mirror image thereof;

FIG. 3 is front elevational view thereof;

FIG. 4 is a rear elevational view thereof;

FIG. 5 is a bottom plan view thereof; and

FIG. 6 is a cross-sectional view thereof taken substantially along the line 6—6 of FIG. 5.



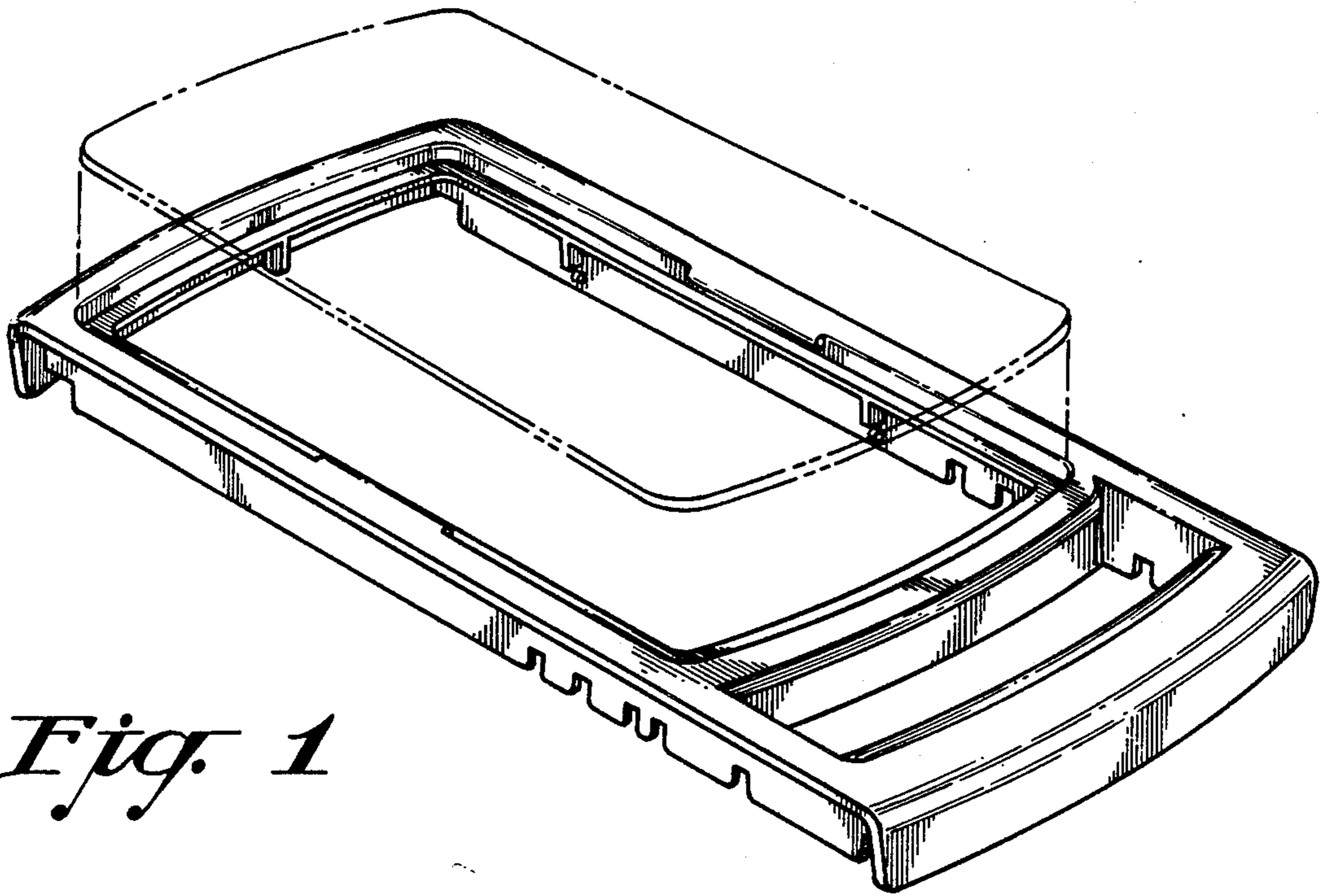


Fig. 1



Fig. 2



Fig. 3



Fig. 4

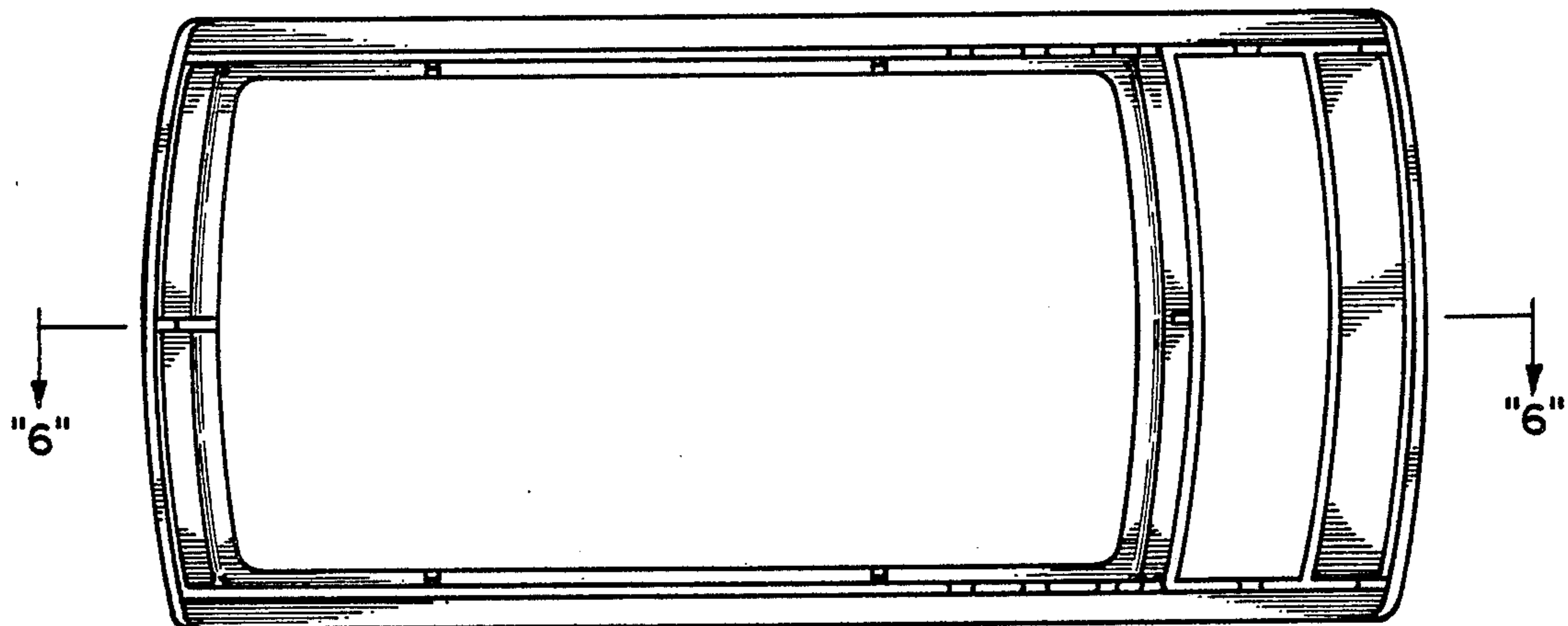


Fig. 5

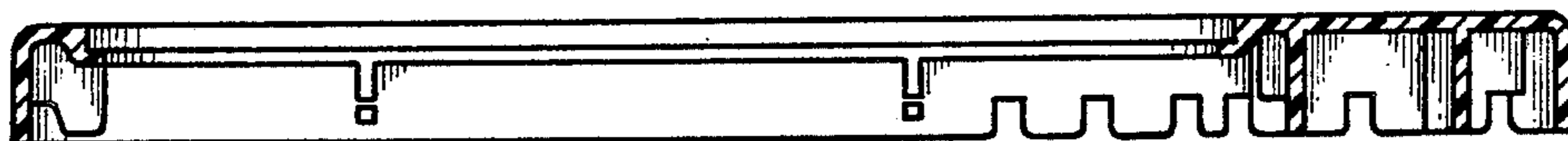


Fig. 6