

[54] BROTH MAKING COOKER

[76] Inventor: Nobumichi Ishida, No. 501, TOKYO KATSUOBUSHI CENTER, No. 4-9, 3-chome, Harumi, Chuo-ku, Tokyo, Japan

[**] Term: 14 Years

[21] Appl. No.: 32,822

[22] Filed: Mar. 31, 1987

[52] U.S. Cl. D7/360

[58] Field of Search D7/40, 354, 355, 356, D7/358, 360, 362, 363, 367, 391; 219/429, 432, 438, 440; 99/331, 403, 410, 411, 413

[56] References Cited

U.S. PATENT DOCUMENTS

1,440,826	1/1923	Hager	219/440
1,765,072	6/1930	Hashimoto	D7/358 X
2,200,903	5/1940	Stephens	D7/358 X

FOREIGN PATENT DOCUMENTS

508287 7/1920 France 99/413

Primary Examiner—Winifred E. Herrmann
Assistant Examiner—John Warchol
Attorney, Agent, or Firm—Jordan and Hamburg

[57] CLAIM

The ornamental design for a broth making cooker, as shown and described.

DESCRIPTION

FIG. 1 is a top plan view of a broth making cooker showing my new design;
FIG. 2 is a front elevational view thereof, the opposite side is a mirror image thereof;
FIG. 3 is a left side elevational view thereof;
FIG. 4 is a rear elevational view thereof;
FIG. 5 is a bottom plan view thereof; and
FIG. 6 is an enlarged sectional view taken along line 6—6 of FIG. 1.

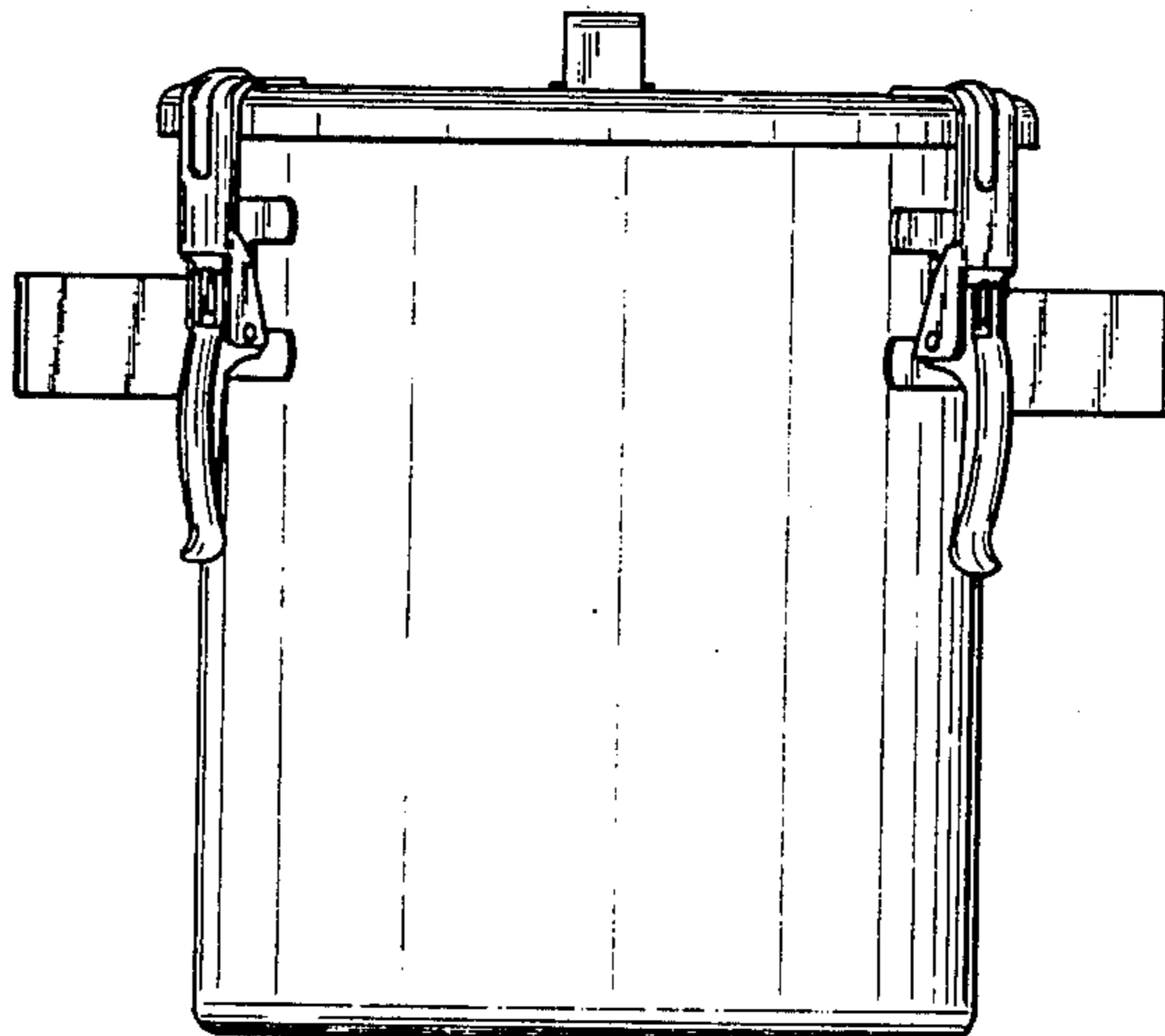
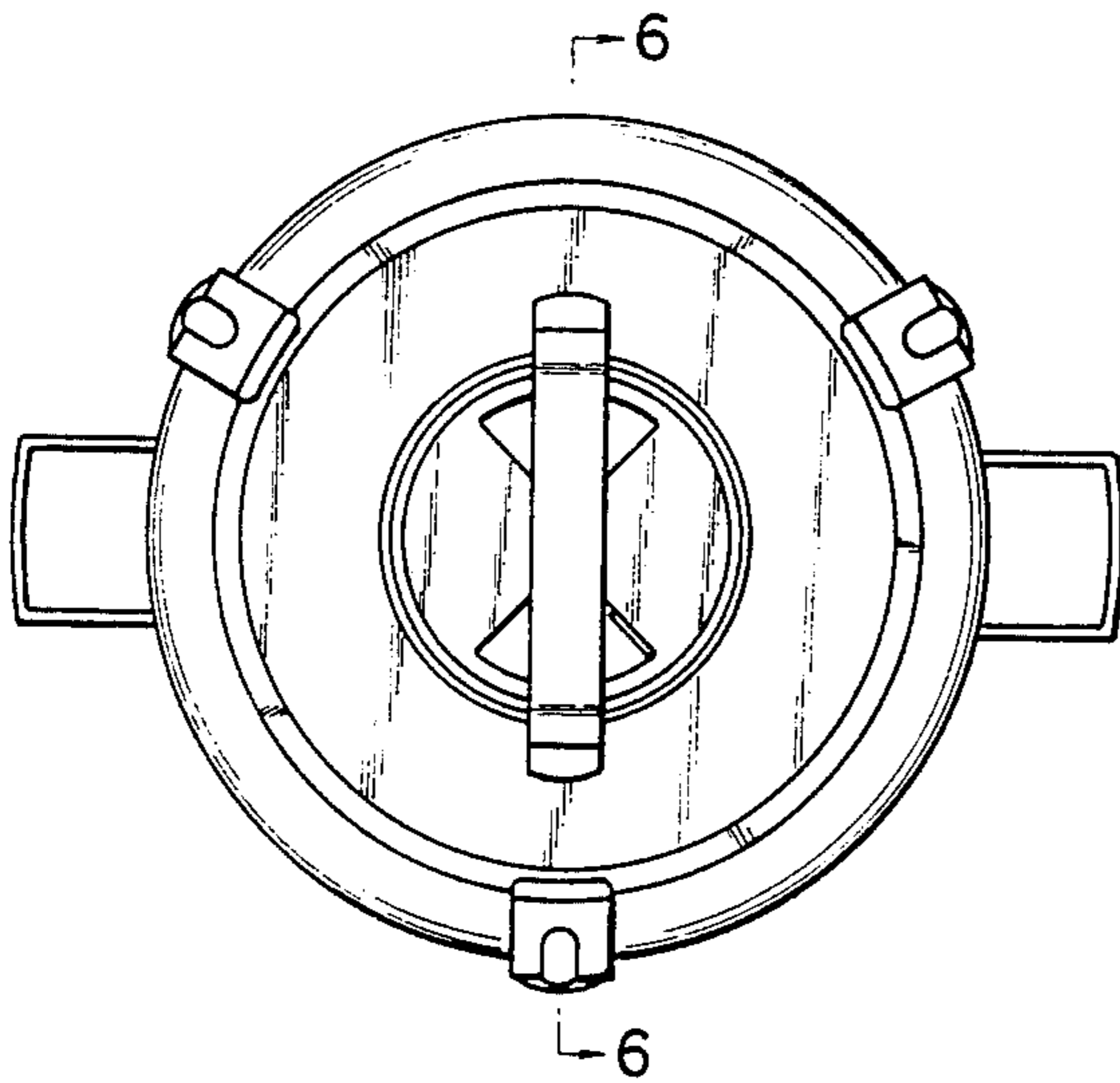


Fig. 1

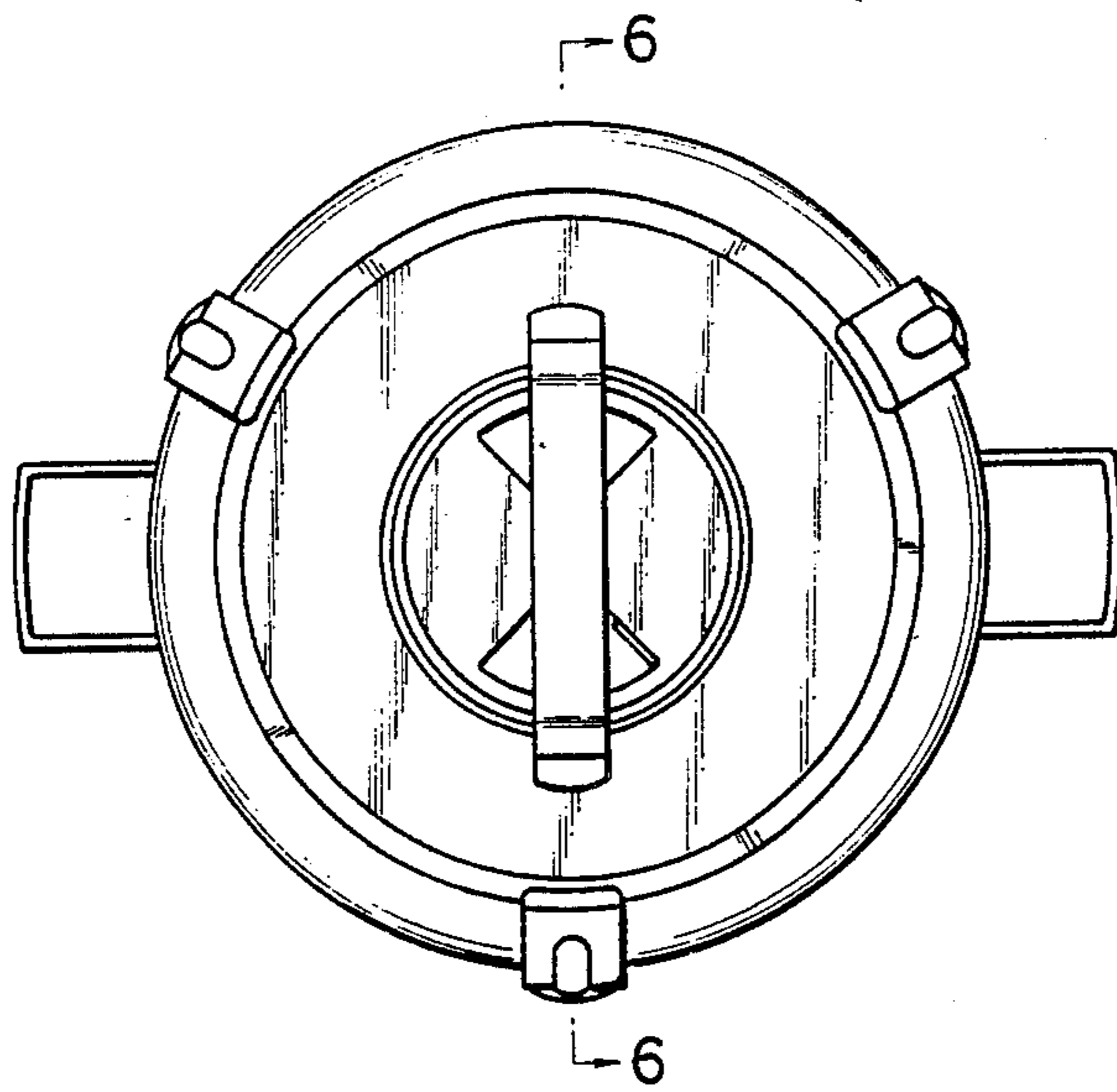


Fig. 2

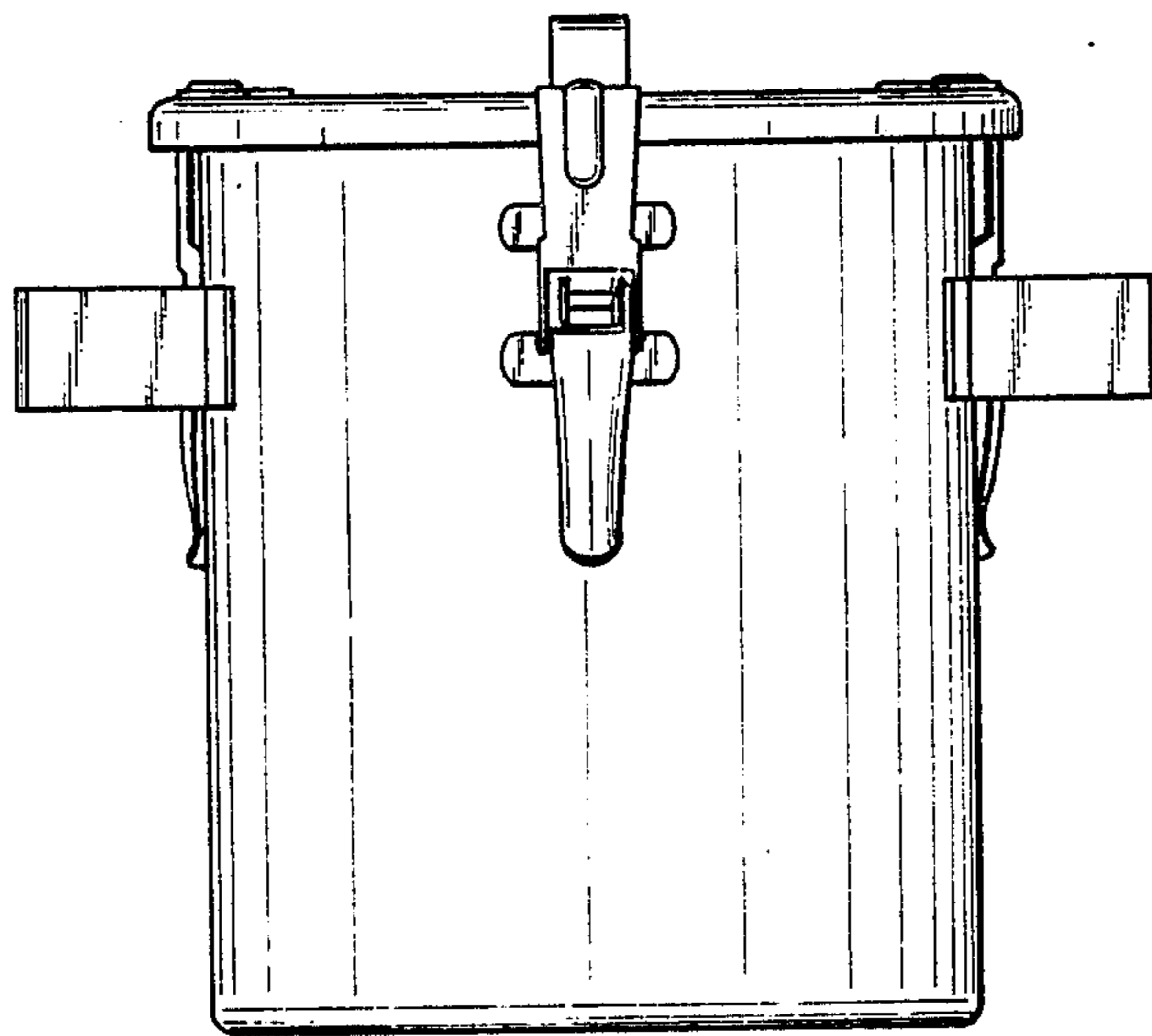


Fig. 3

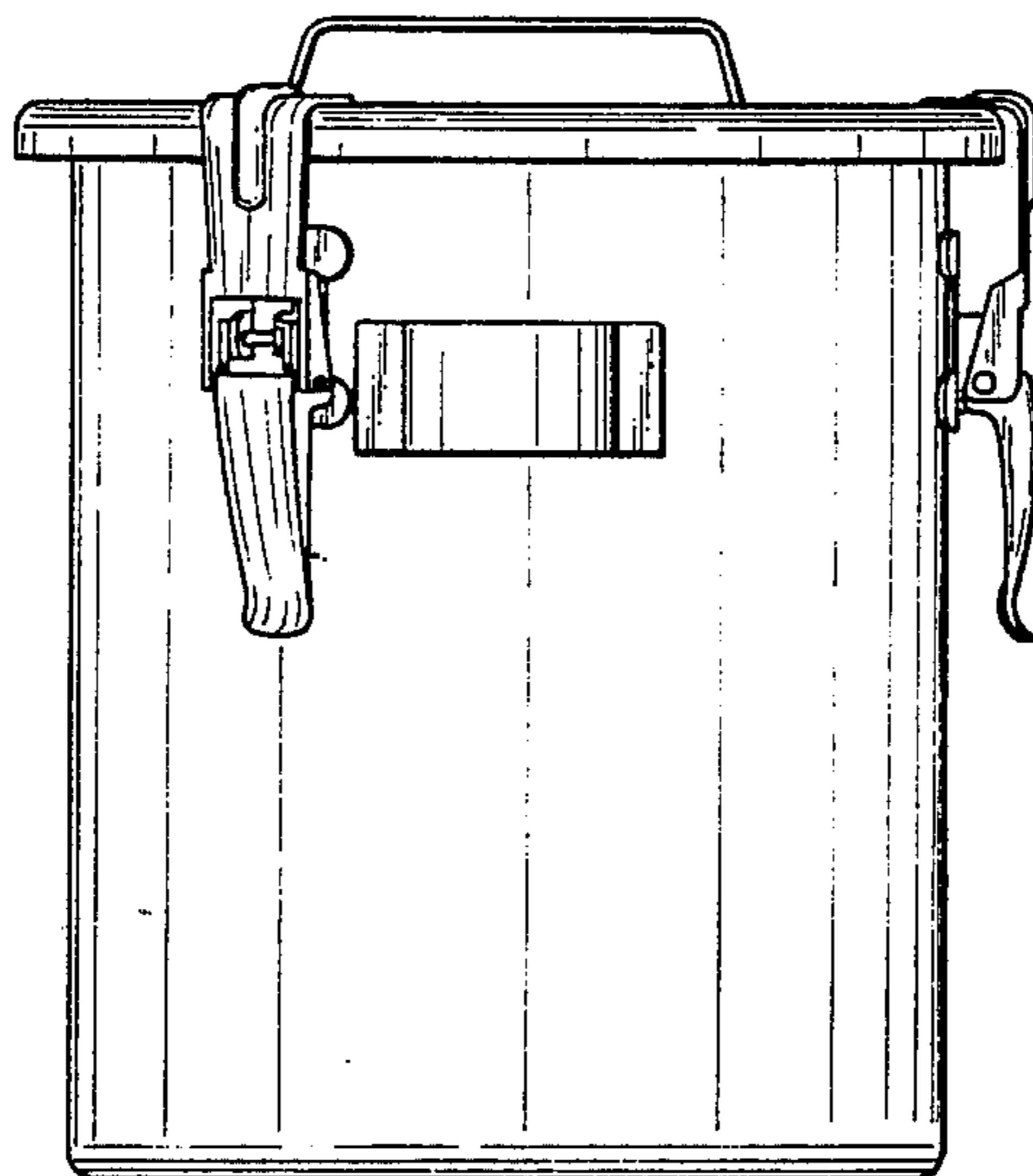


Fig. 4

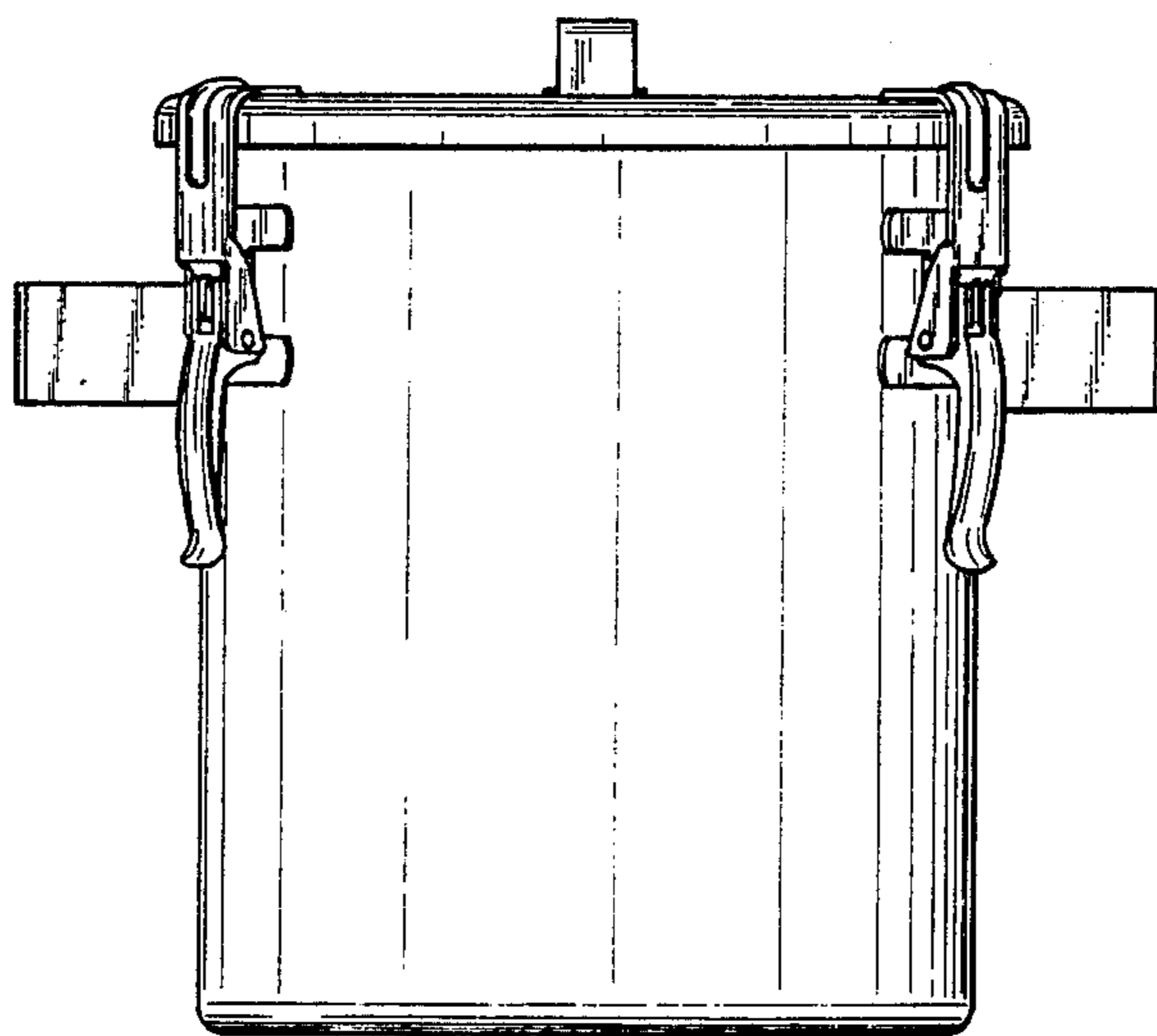


Fig. 5

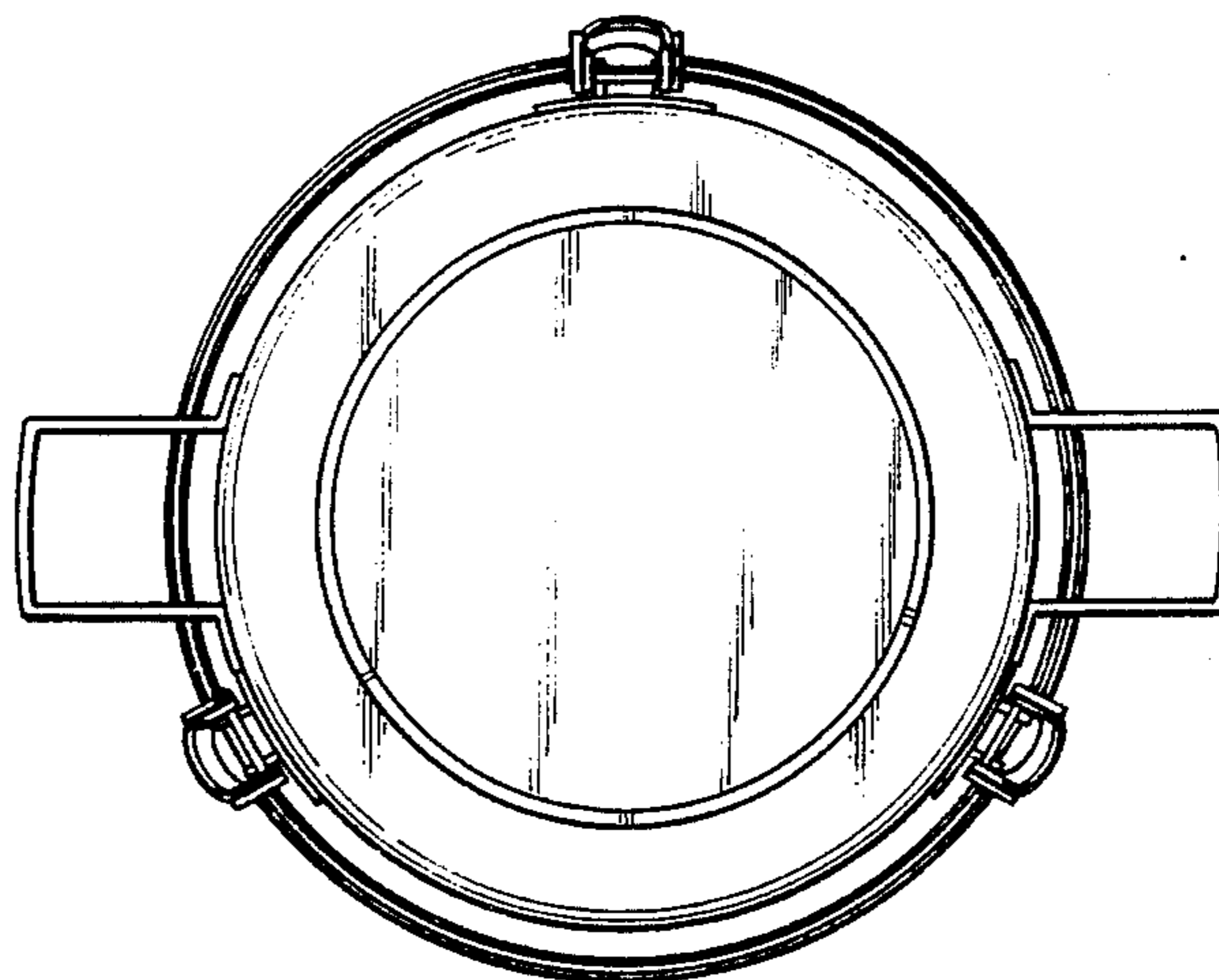


Fig. 6

