

[54] EGG SEPARATOR
[75] Inventor: Pieter K. J. DeCoster, Aalst, Belgium
[73] Assignee: Dart Industries Inc., Deerfield, Ill.
[**] Term: 14 Years
[21] Appl. No.: 83,768
[22] Filed: Aug. 10, 1987
[52] U.S. Cl. D7/667
[58] Field of Search D7/47; 99/497, 499

2,035,065 3/1936 Gizay 99/499
3,749,001 7/1973 Swett 99/499

Primary Examiner—Bernard Ansher
Assistant Examiner—Terry A. Pfeffer
Attorney, Agent, or Firm—Russell L. McIlwain

[57] CLAIM

The ornamental design for an egg separator, as shown and described.

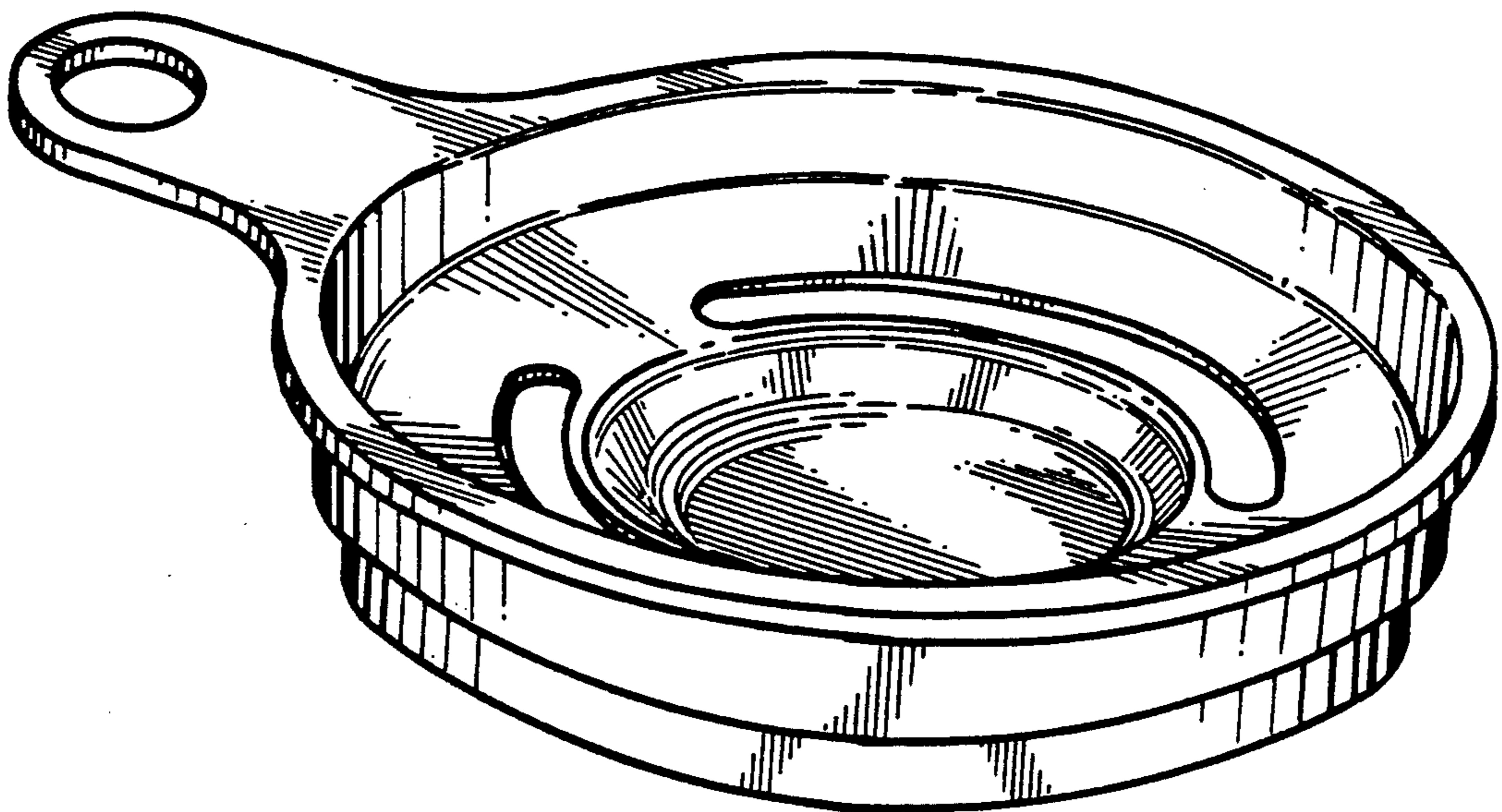
DESCRIPTION

FIG. 1 is a front perspective view of an egg separator showing my new design;
FIG. 2 is a left side elevational view, the opposite side being substantially a mirror image thereof;
FIG. 3 is a rear elevational view thereof;
FIG. 4 is a top plan view thereof;
FIG. 5 is a bottom plan view thereof; and
FIG. 6 is a cross-sectional view thereof taken substantially along the line 6—6 of FIG. 4.

[56] References Cited

U.S. PATENT DOCUMENTS

708,791	9/1902	Abrahams	99/499
941,415	11/1909	Heatherington et al.	99/499
968,910	8/1910	Woodrow	99/497
1,074,372	9/1913	Martin	99/497
1,254,326	1/1918	Hutchinson et al.	99/498
1,327,929	1/1920	Tripke	99/499



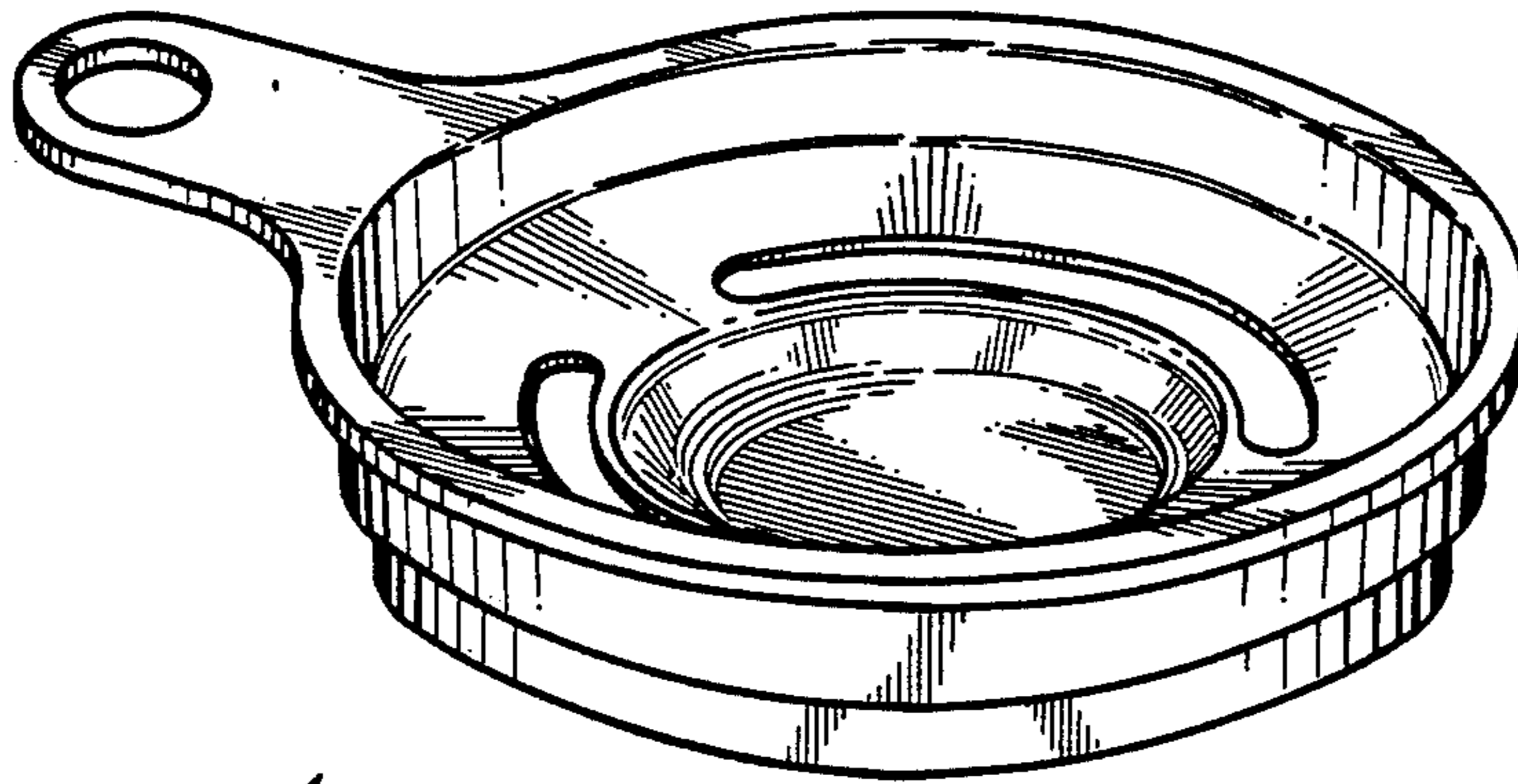


Fig. 1



Fig. 2



Fig. 3

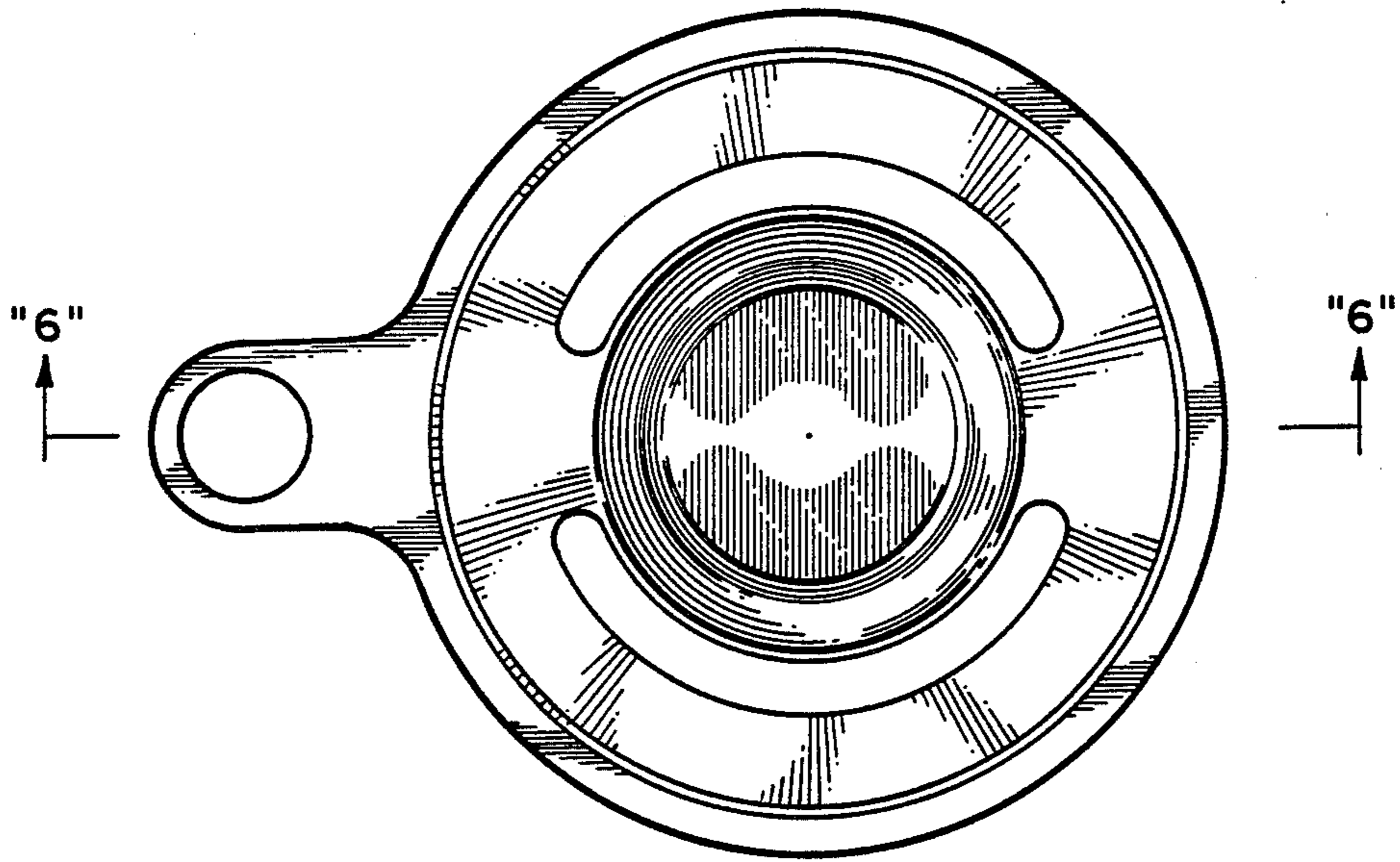


Fig. 4

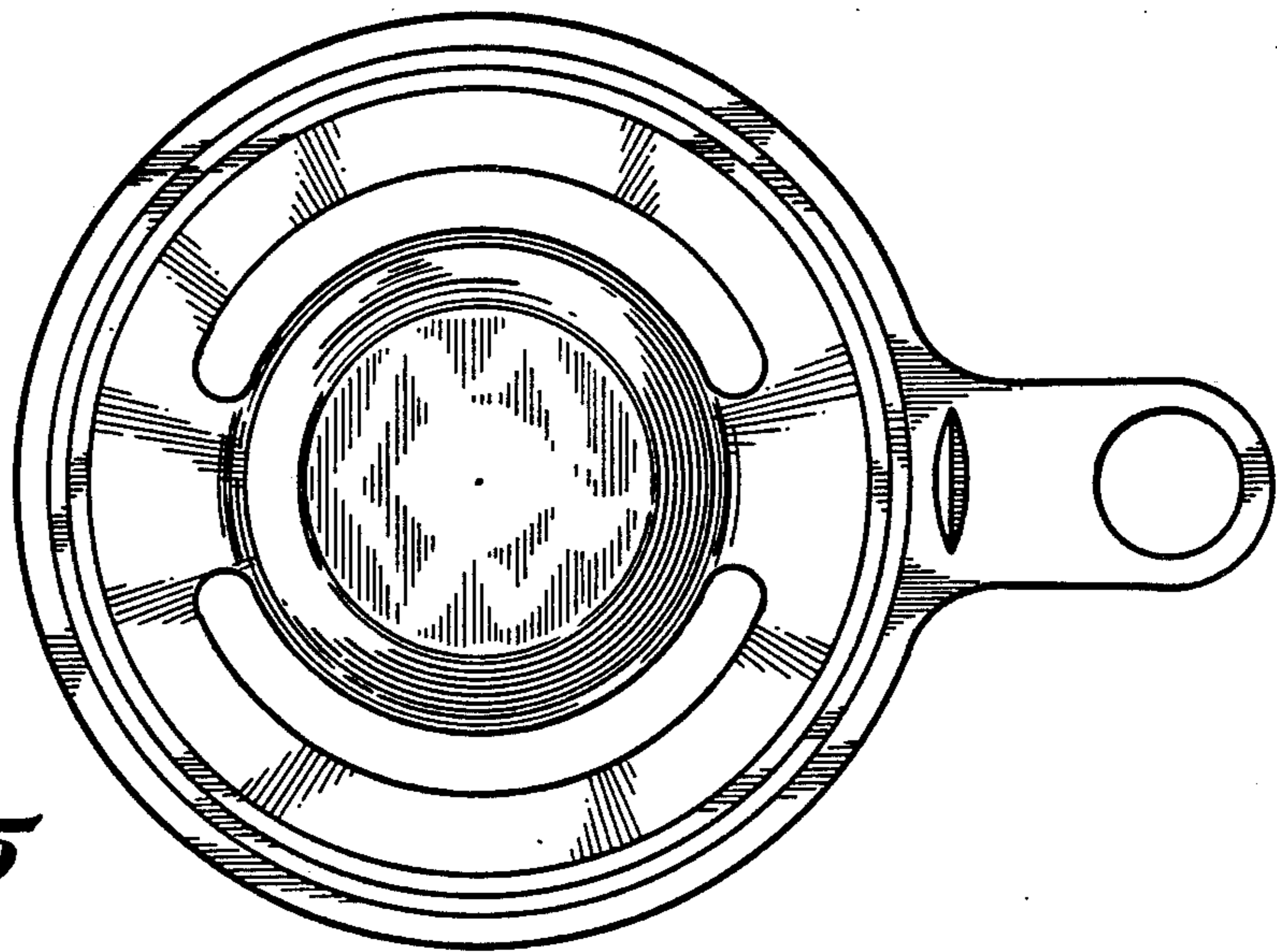


Fig. 5



Fig. 6