

[54] DISPLAY STAND

[75] Inventor: Irving Smith, Bronx, N.Y.

[73] Assignee: Arrow Art Finishers Co., Bronx, N.Y.

[**] Term: 14 Years

[21] Appl. No.: 93,894

[22] Filed: Aug. 26, 1987

[52] U.S. Cl. D6/451

[58] Field of Search D6/449, 450, 451, 434,
D6/388, 429; D21/134; 446/93, 95; 211/13, 72,
71

[56]

References Cited

U.S. PATENT DOCUMENTS

- Re. 25,309 1/1963 Adams D6/429 X
- D, 253,259 10/1979 Rutar D6/388 X
- D. 279,589 7/1985 Marshall D21/134 X

- D. 282,032 1/1986 Lemmeyer D6/450 X
- 1,932,368 10/1933 Bowman D21/134 X
- 1,951,415 3/1934 Horwath 211/72 X

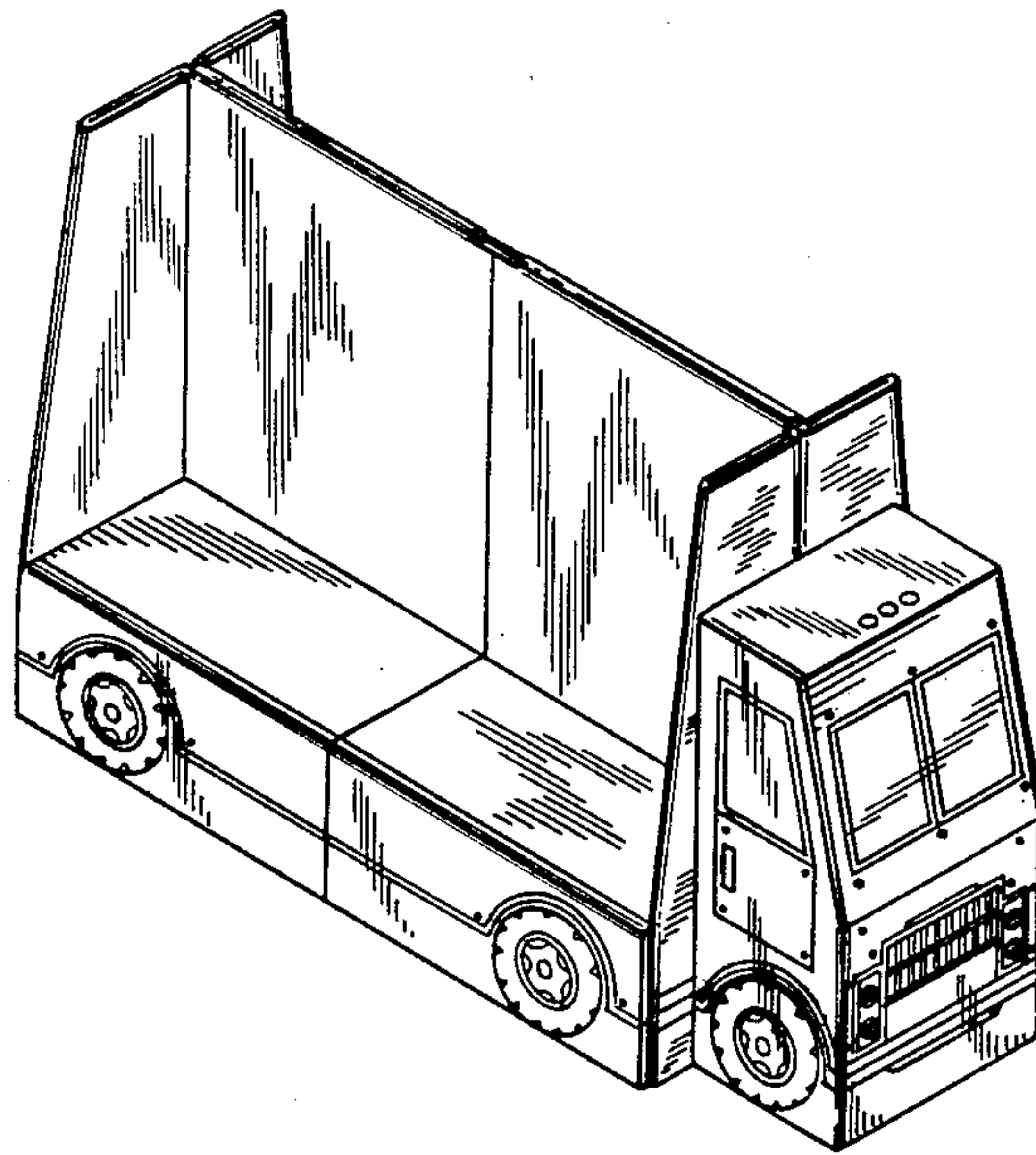
Primary Examiner—Carmen H. Vales-Lado
 Assistant Examiner—Jeffrey Asch
 Attorney, Agent, or Firm—Kirschstein, Ottinger, Israel
 & Schiffmiller

[57] CLAIM

The ornamental design for an display stand, as shown.

DESCRIPTION

FIG. 1 is a front, top and left side perspective view showing my new design;
 FIG. 2 is a front elevational view thereof;
 FIG. 3 is a top plan view thereof;
 FIG. 4 is a right side elevational view thereof;
 FIG. 5 is a rear elevational view thereof; and,
 FIG. 6 is a bottom plan view thereof.



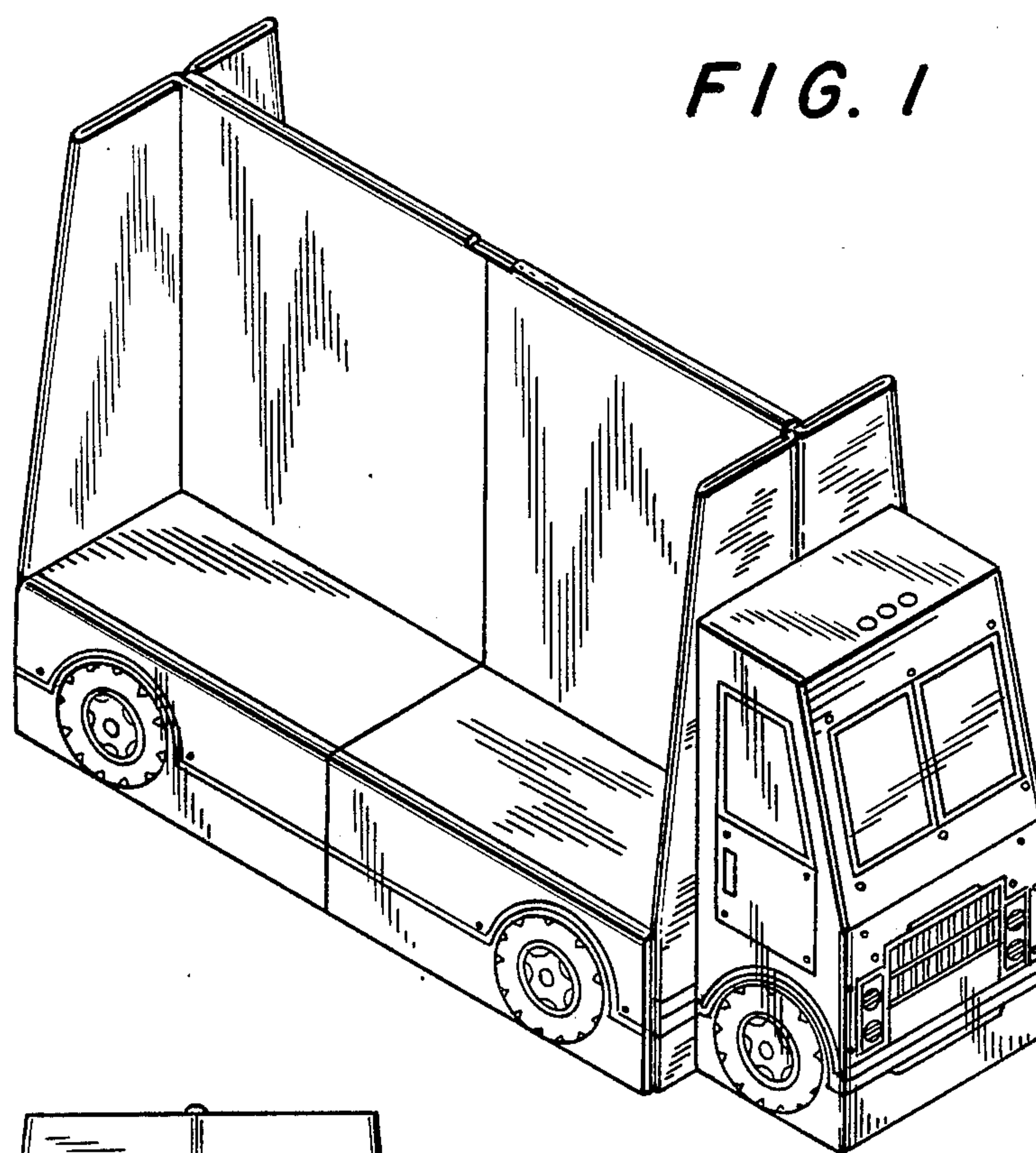


FIG. 1

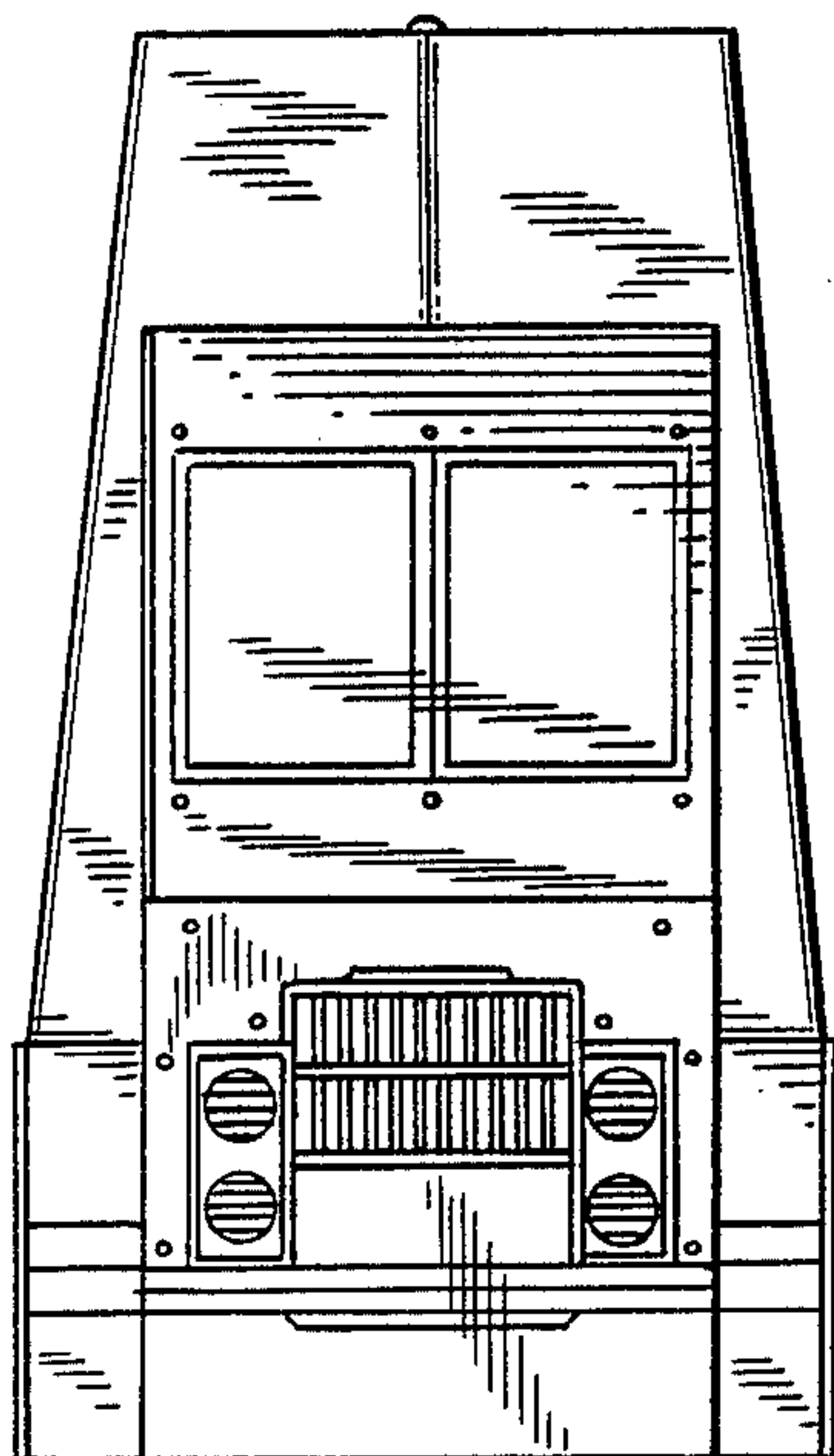


FIG. 2

FIG. 3

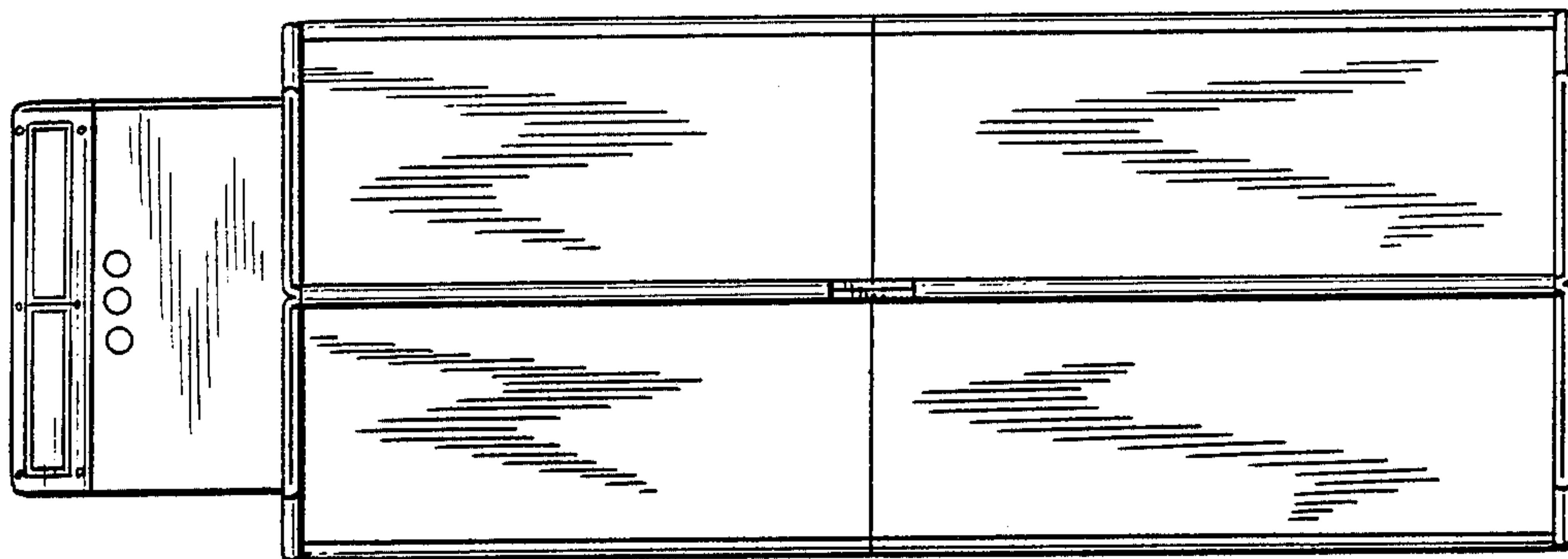


FIG. 4

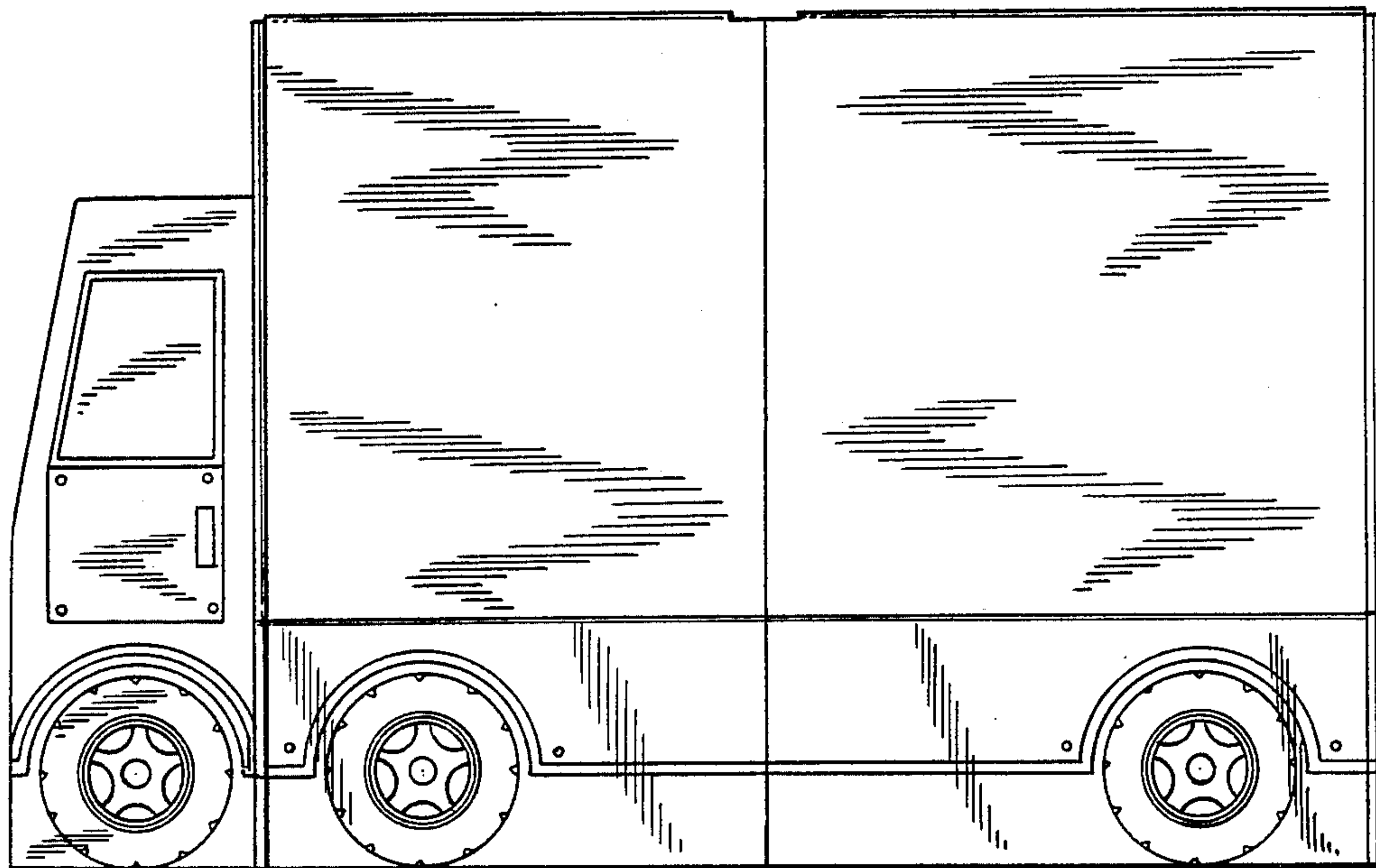


FIG. 5

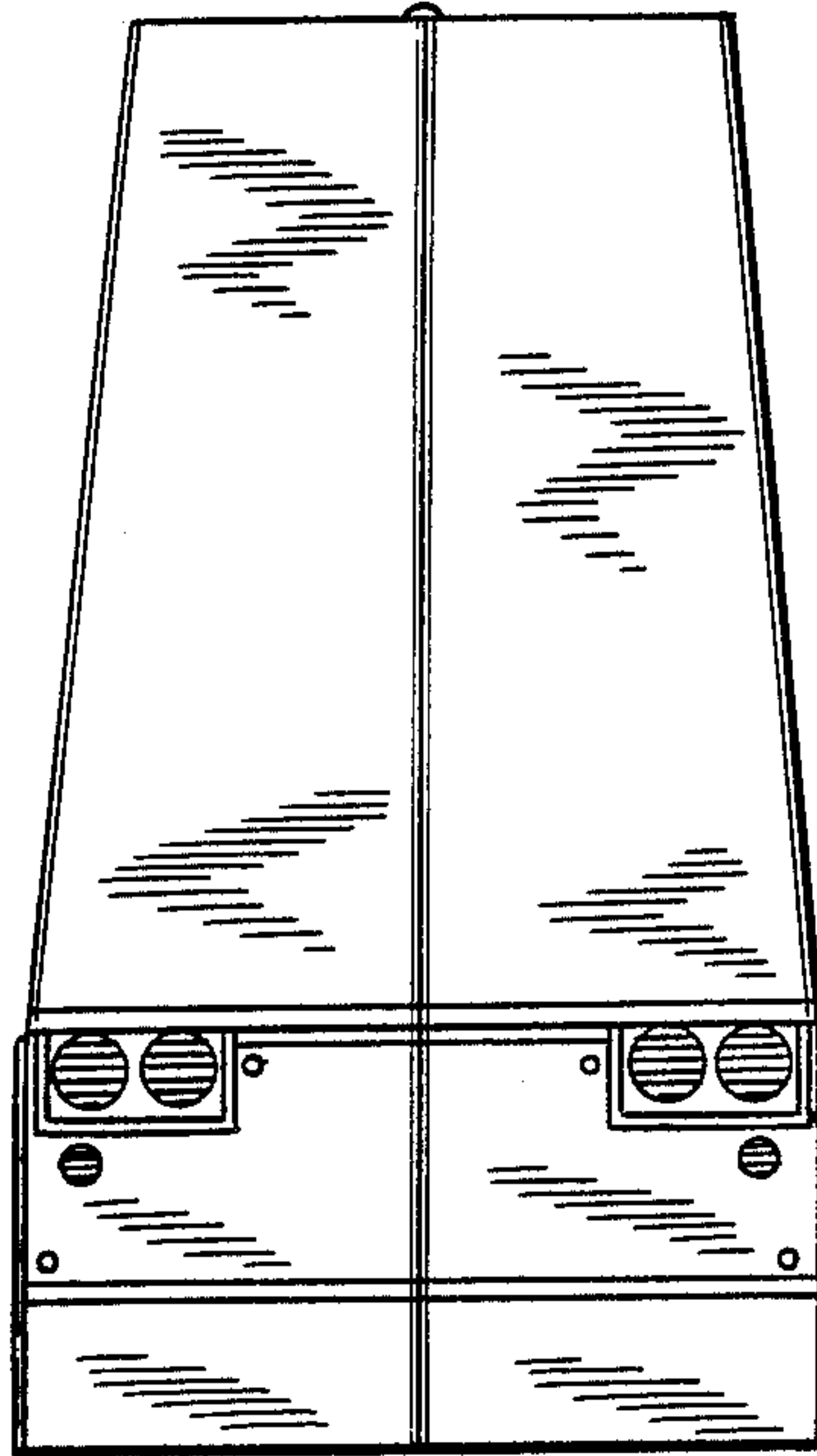


FIG. 6

