

[54] SEAT

[75] Inventor: Sammy L. Owen, New Albany, Miss.

[73] Assignee: Universal Furniture Industries, Inc., High Point, N.C.

[**] Term: 14 Years

[21] Appl. No.: 930,386

[22] Filed: Nov. 13, 1986

[52] U.S. Cl. D6/381; D6/334

[58] Field of Search D6/334, 370, 381

[56] References Cited

U.S. PATENT DOCUMENTS

- D. 262,503 1/1982 Benz D6/371
- D. 277,526 2/1985 White D6/371
- D. 278,579 4/1985 Milles D6/334

OTHER PUBLICATIONS

Schweiger, Kudos line, Box 3-41, Chair No. 2949-0700. Schoner Wohnen, Aug. 1979, p. 70, Sofa, top center.

Primary Examiner—Nelson C. Holtje
Assistant Examiner—Ann Hunt
Attorney, Agent, or Firm—Pravel, Gambrell, Hewitt, Kimball & Krieger

[57] CLAIM

The ornamental design for a seat, as shown and described.

DESCRIPTION

FIG. 1 is a front perspective view of a seat in the form of a sofa showing my design;
FIG. 2 is a front elevational view;
FIG. 3 is a side elevational view, the opposite side a mirror image thereof; and
FIG. 4 is a front elevational view of a second embodiment of the seat in the form of a chair.
The rear view is substantially unornamented.

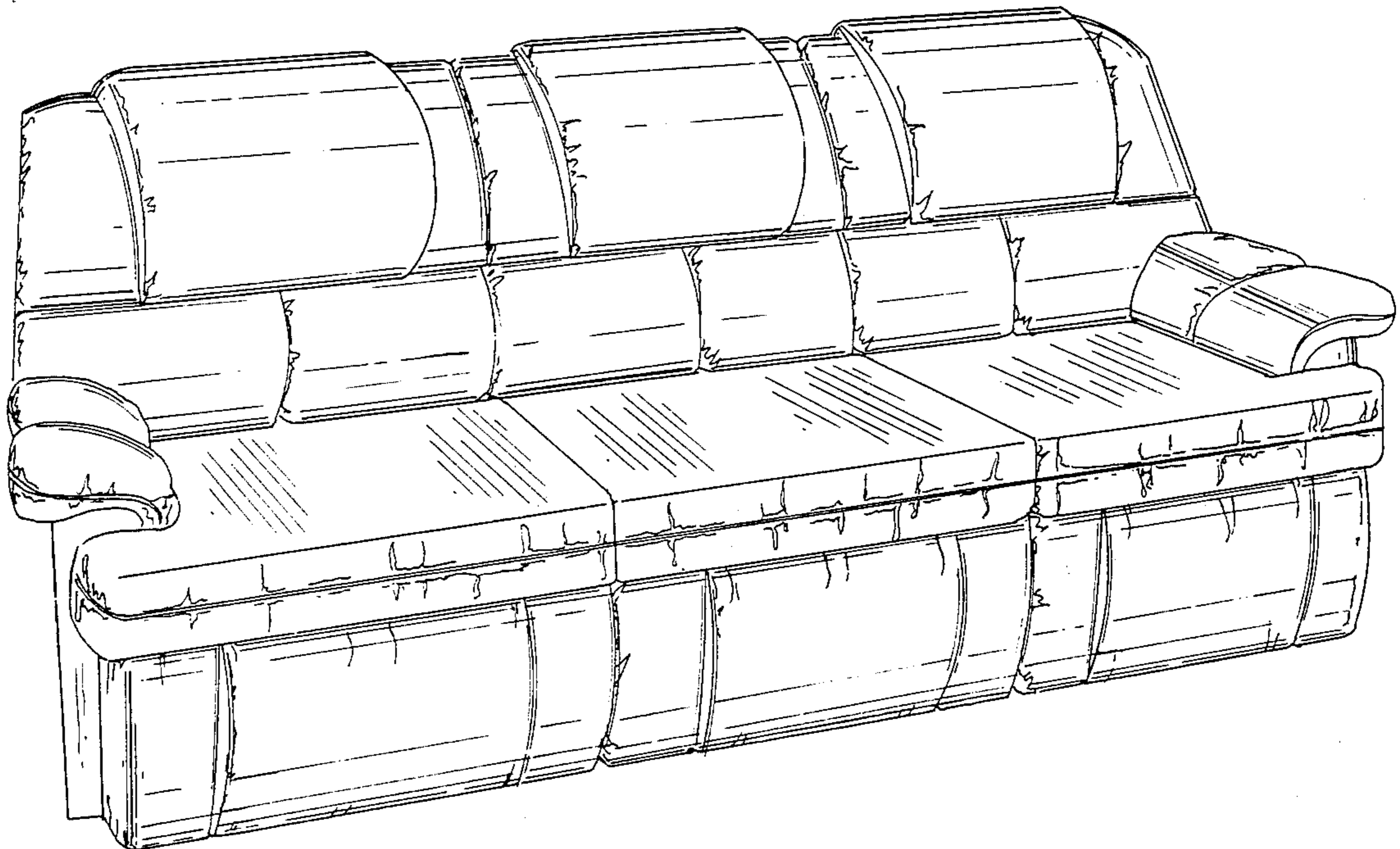


FIG. 1

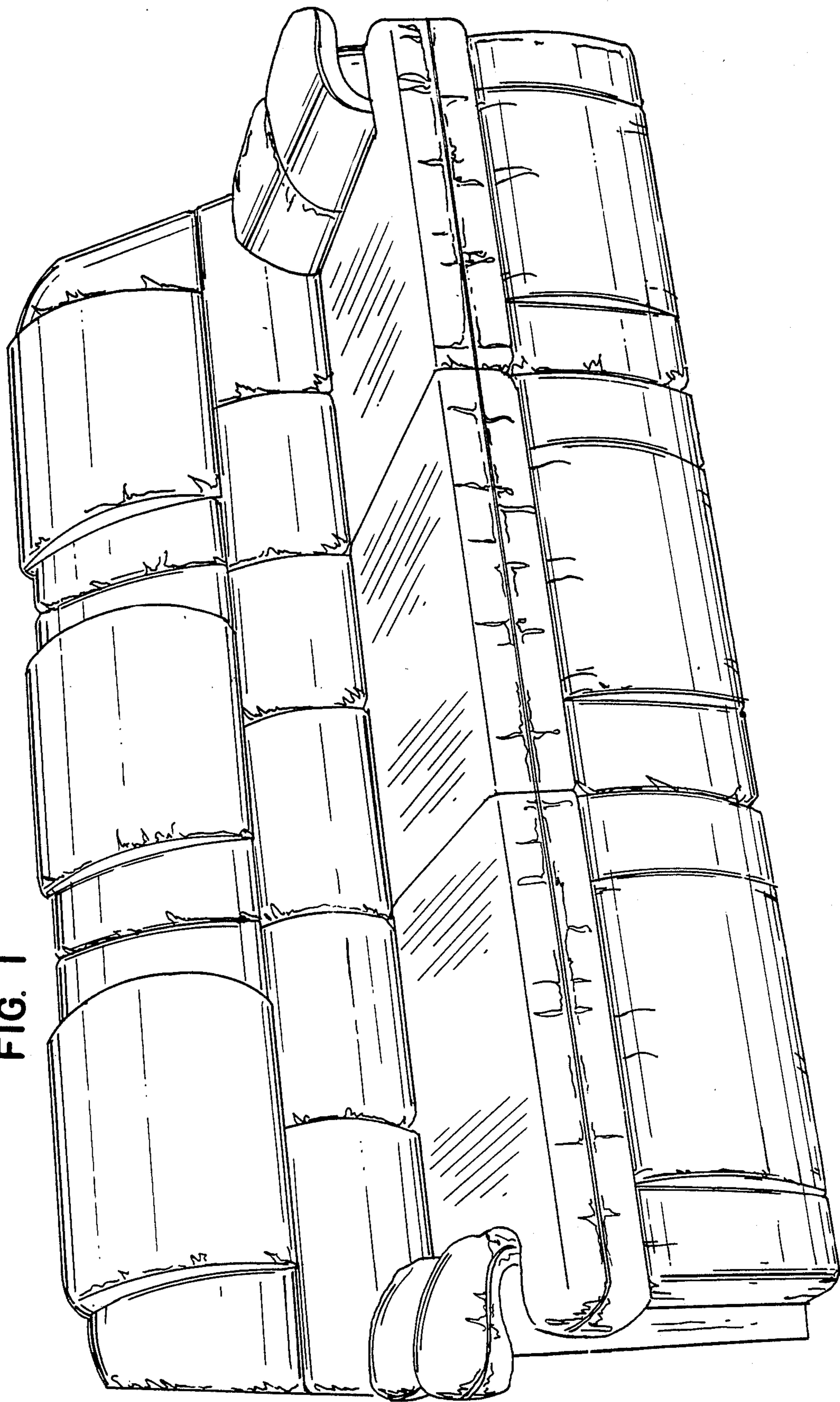


FIG. 2

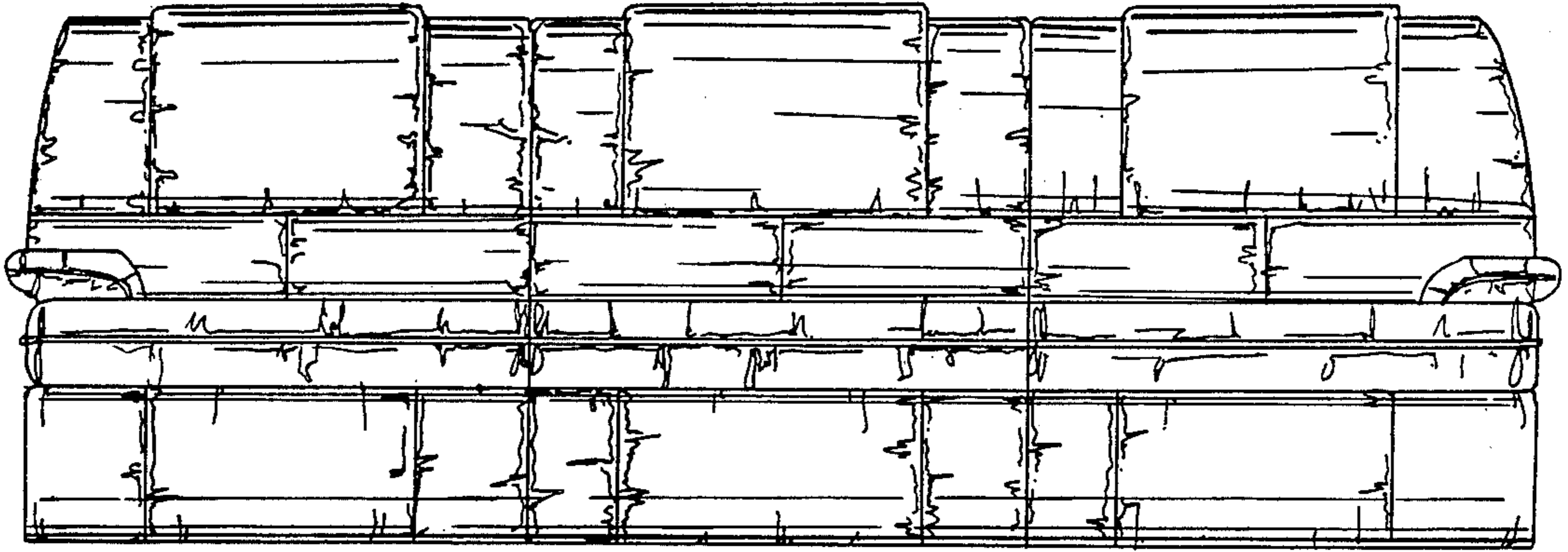


FIG. 3

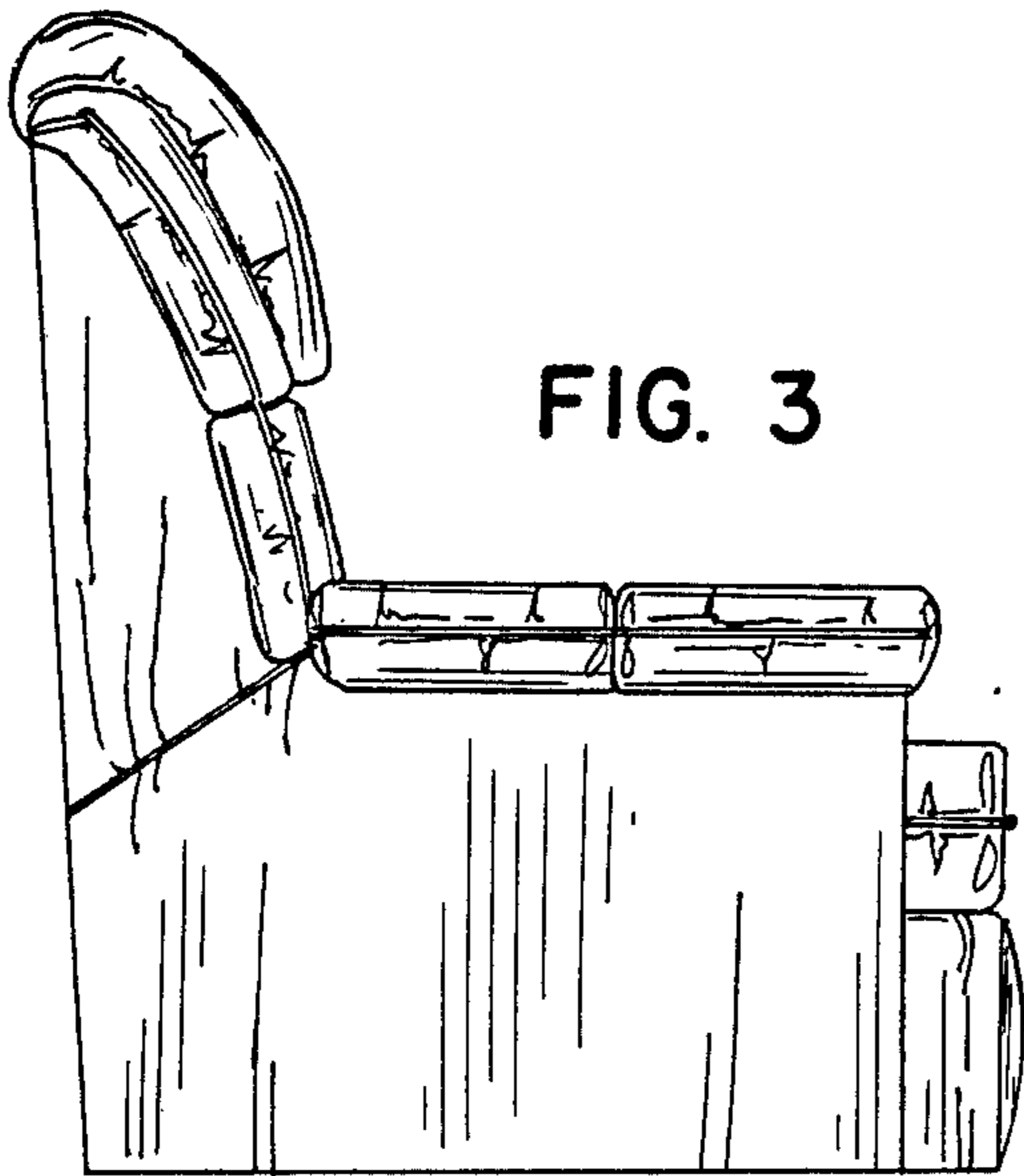


FIG. 4

