

# United States Patent [19]

Pomeroy et al.

[11] Patent Number: **Des. 307,523**

[45] Date of Patent: **\*\* May 1, 1990**

[54] **GLIDER**

[75] Inventors: **Charles Pomeroy; John T. Bycraft,**  
both of South Bend, Ind.

[73] Assignee: **Jack-Post Corporation,** Buchanan,  
Mich.

[\*] Notice: The portion of the term of this patent  
subsequent to Apr. 24, 2004 has been  
disclaimed.

[\*\*] Term: **14 Years**

[21] Appl. No.: **759,227**

[22] Filed: **Jul. 26, 1985**

[52] U.S. Cl. .... **D6/347**

[58] Field of Search ..... **D6/347**

[56] **References Cited**

### U.S. PATENT DOCUMENTS

D. 91,315 1/1934 Brown ..... D6/487 X  
D. 259,308 5/1981 Sroub ..... D6/347

### OTHER PUBLICATIONS

"Fiesta Royale Glider", by Jack-Post Corp., ©1984,  
No. FRGL, reference submitted by applicants.

*Primary Examiner*—Bruce W. Dunkins

*Assistant Examiner*—Ann Hunt

*Attorney, Agent, or Firm*—Stephen G. Rudisill

[57] **CLAIM**

The ornamental design for glider, as shown and de-  
scribed.

### DESCRIPTION

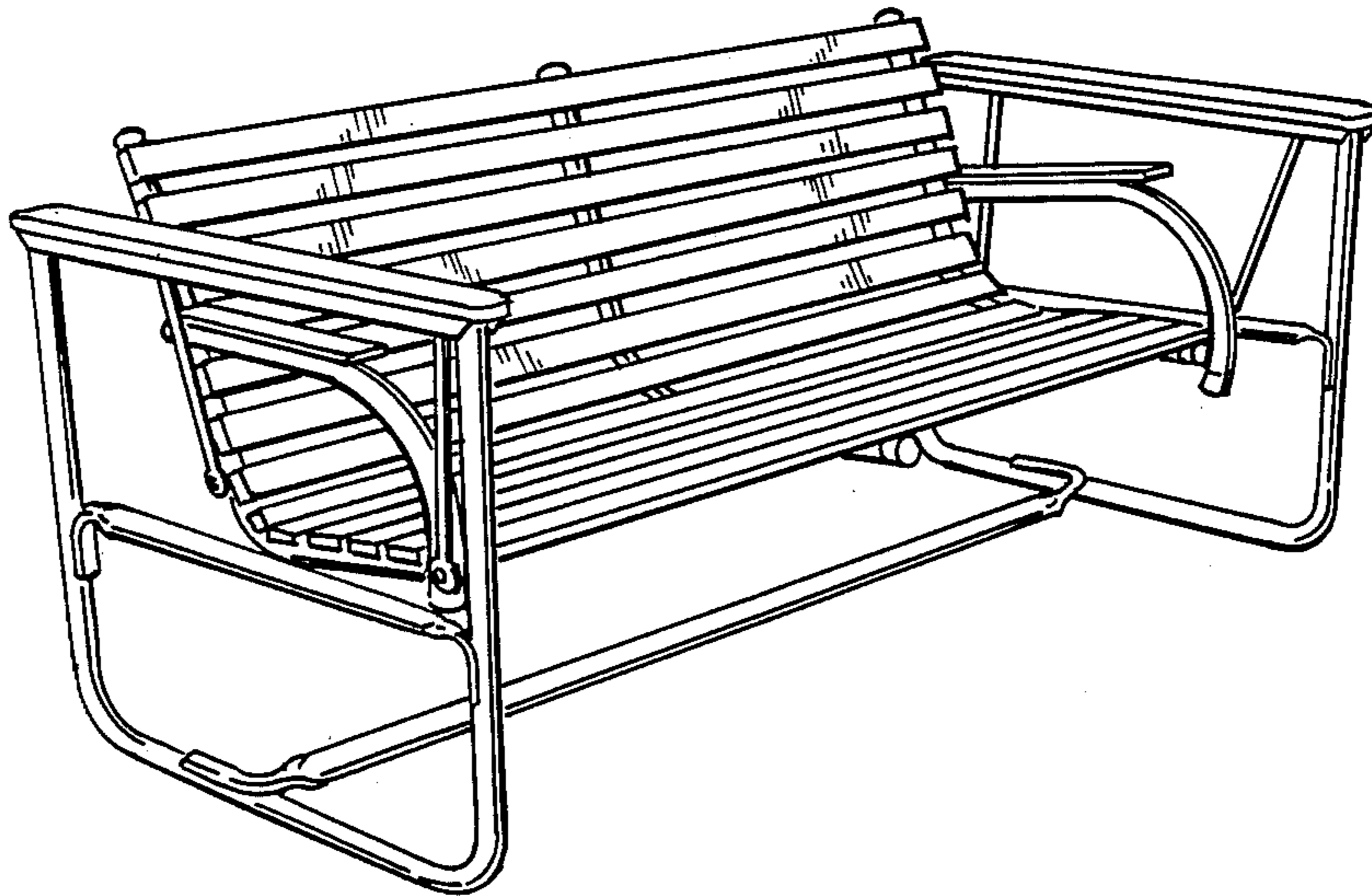
FIG. 1 is a front perspective view of the glider showing  
our new design;

FIG. 2 is an end elevation view;

FIG. 3 is a top view;

FIG. 4 is a front elevational view; and

FIG. 5 is a rear elevational view thereof.



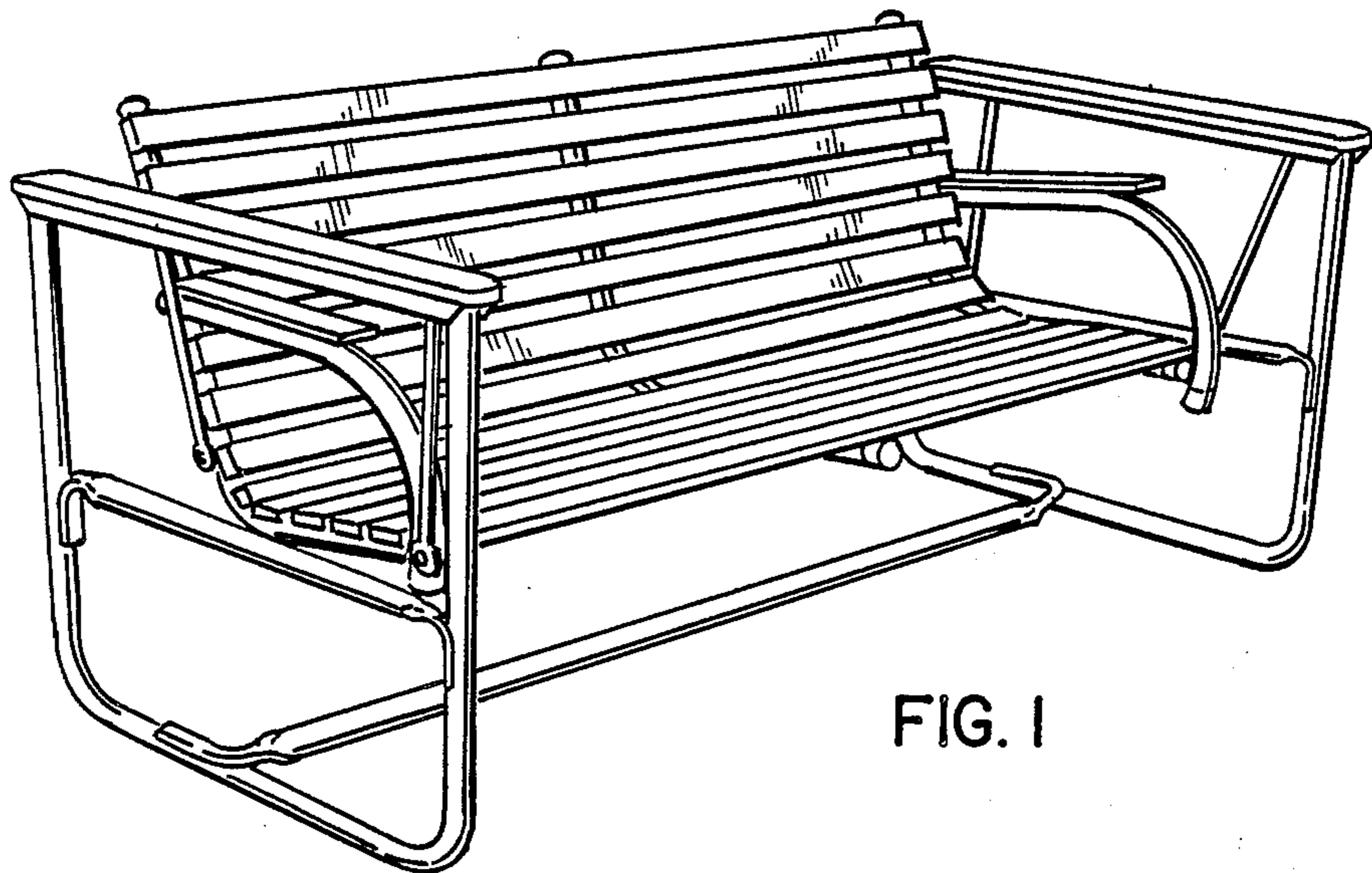


FIG. 1

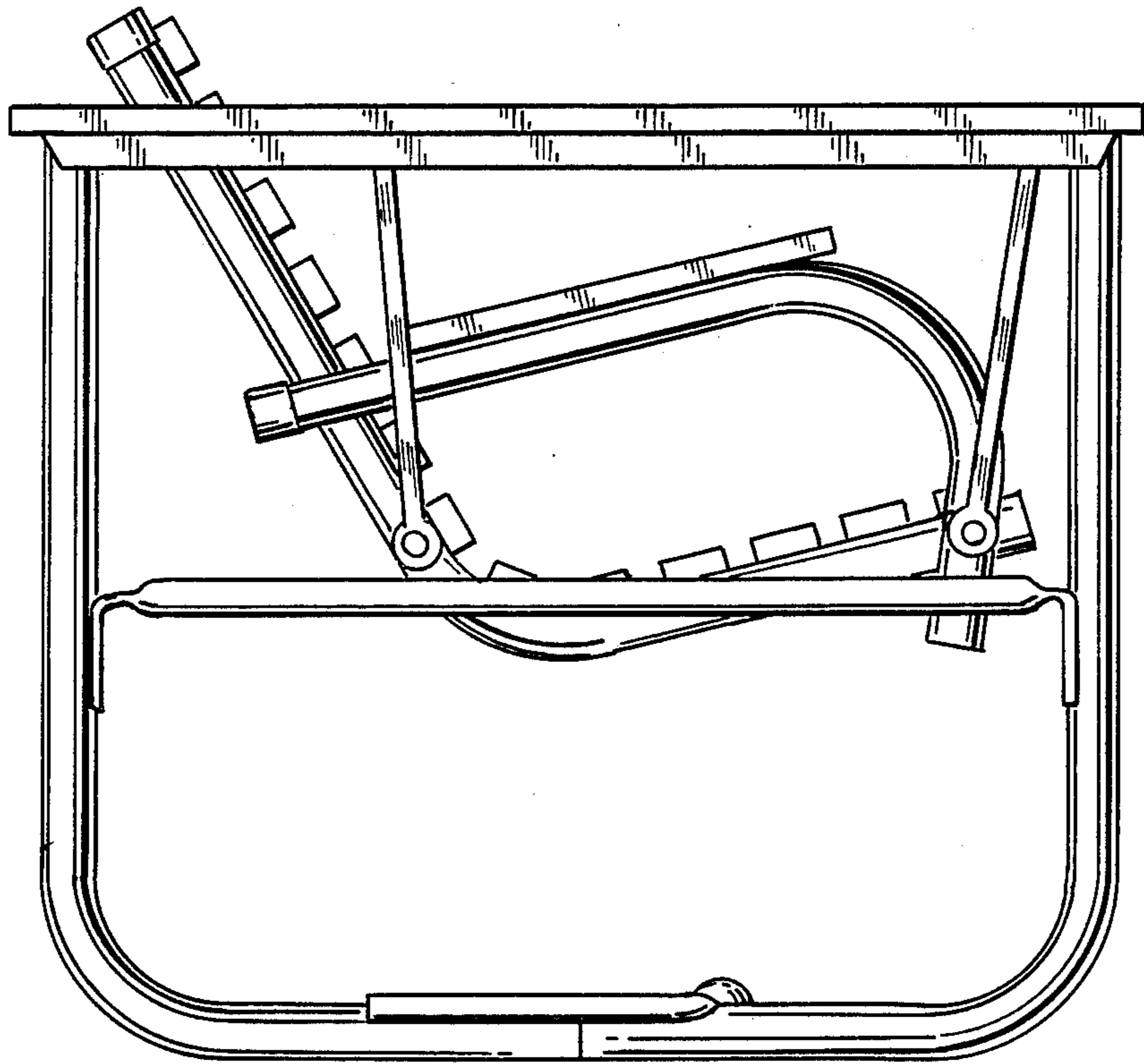


FIG. 2

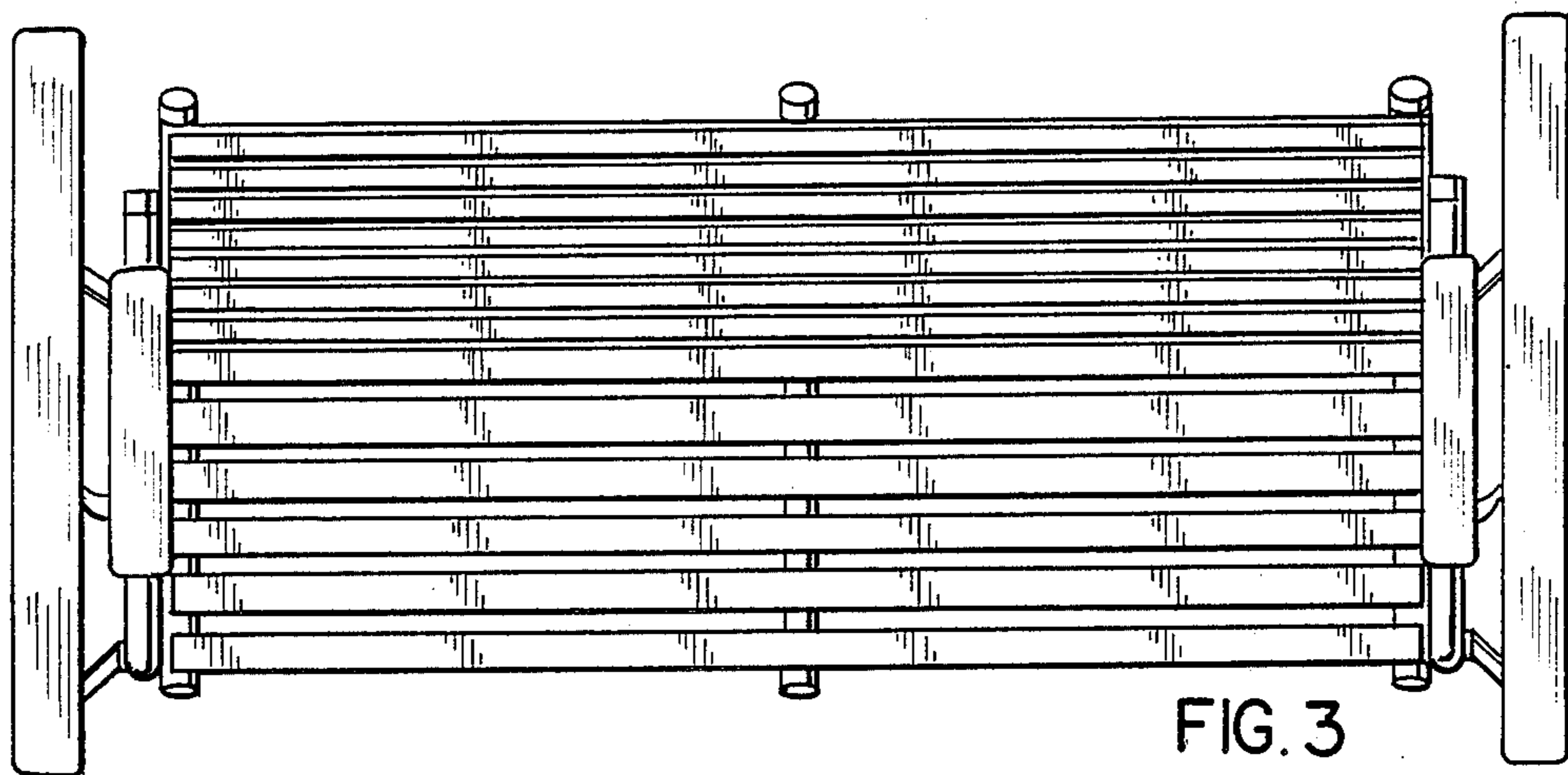


FIG. 3

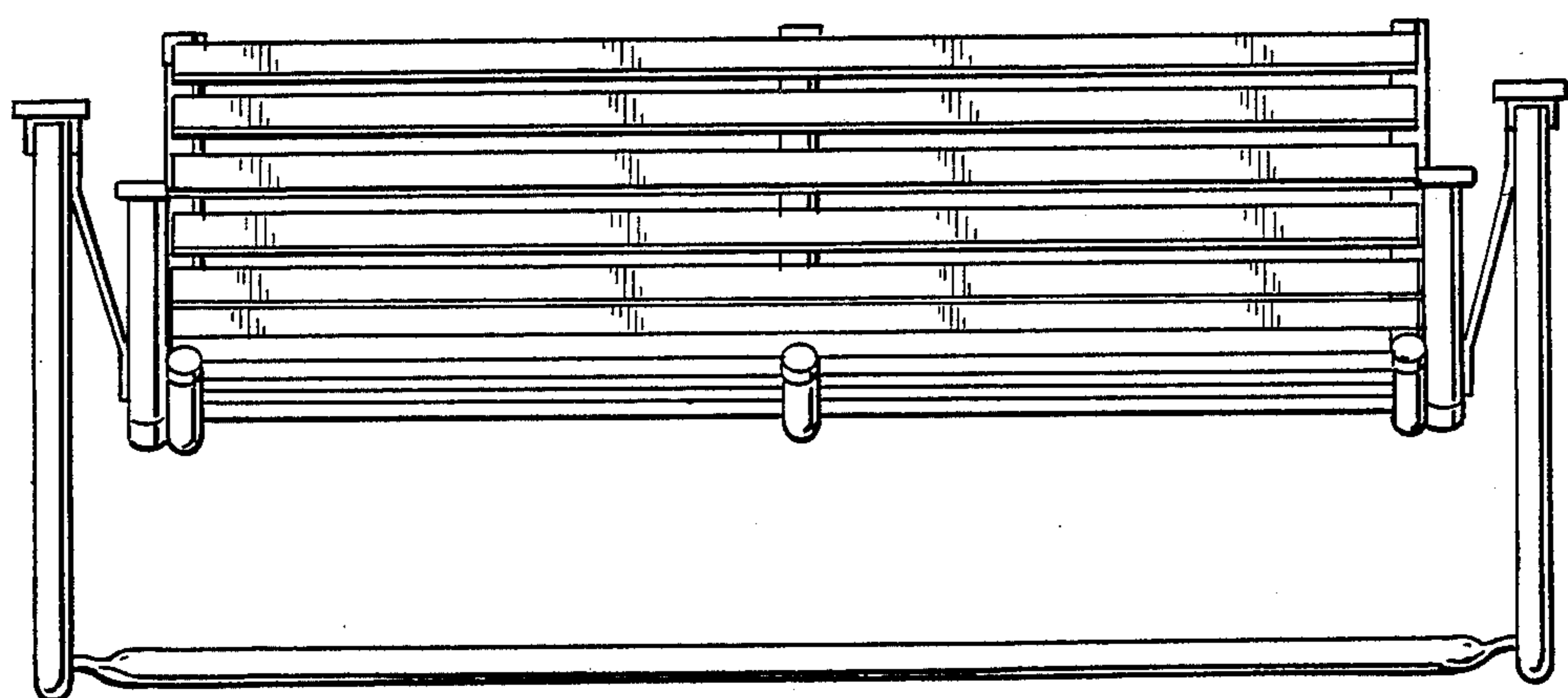


FIG. 4

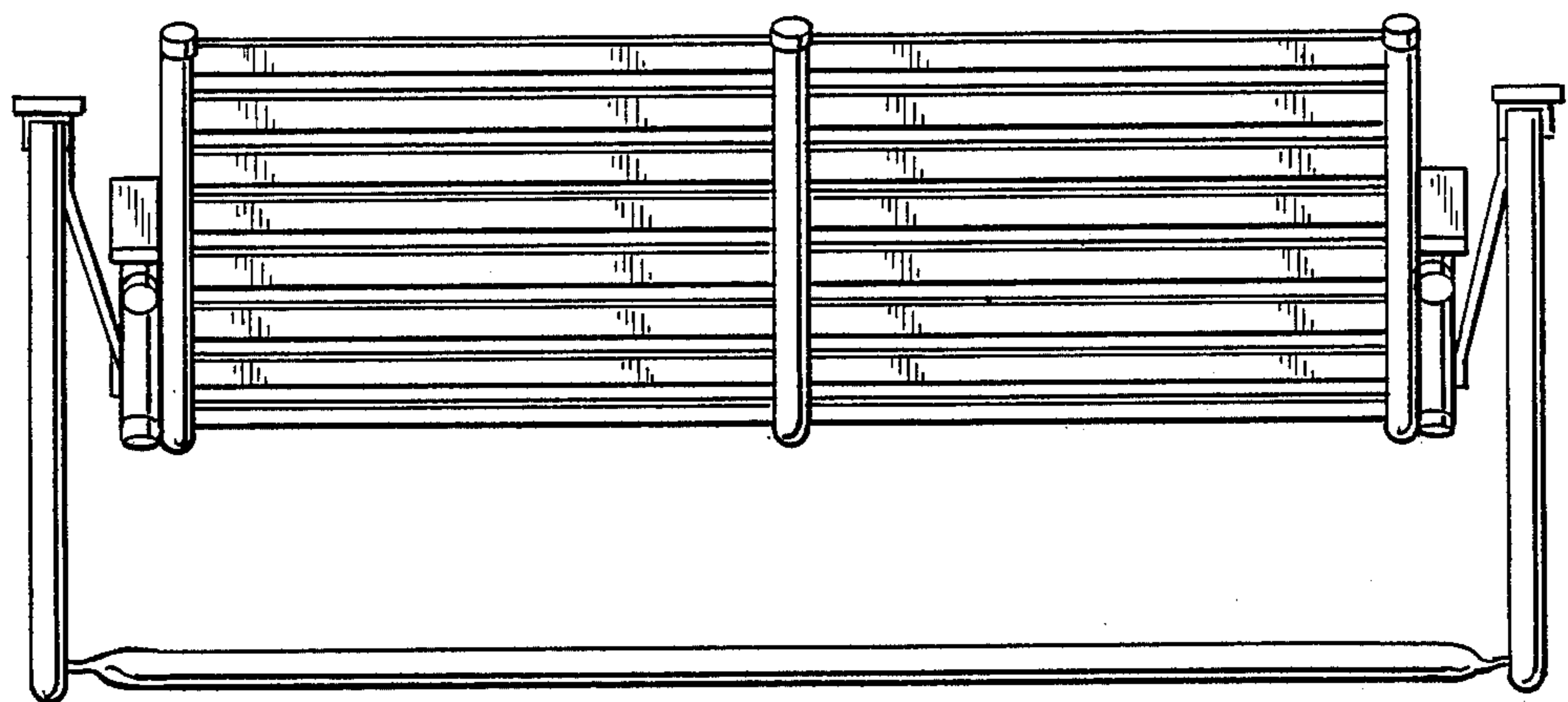


FIG. 5