

[54] **COAT HOOK**

[76] **Inventor: Mario Bellini, Corso Venezia, 11, 20121 Milan, Italy**

[**] **Term: 14 Years**

[21] **Appl. No.: 19,498**

[22] **Filed: Feb. 26, 1987**

[30] **Foreign Application Priority Data**

Sep. 2, 1986 [IT] Italy 22870/86[U]

[52] **U.S. Cl. D6/323; D6/567**

[58] **Field of Search D6/315, 320, 323, 567; 248/309.1; 211/87**

[56] **References Cited**

U.S. PATENT DOCUMENTS

- D. 152,038 12/1948 Stauber D6/323
- D. 230,037 1/1974 Hawn D6/323
- D. 301,407 6/1989 Boeri D6/323

OTHER PUBLICATIONS

Interiors; 4/1972; p. 50; Hook.
Architectural Supplements, Inc. brochure; p. 3; Hooks 54505 and 54520.

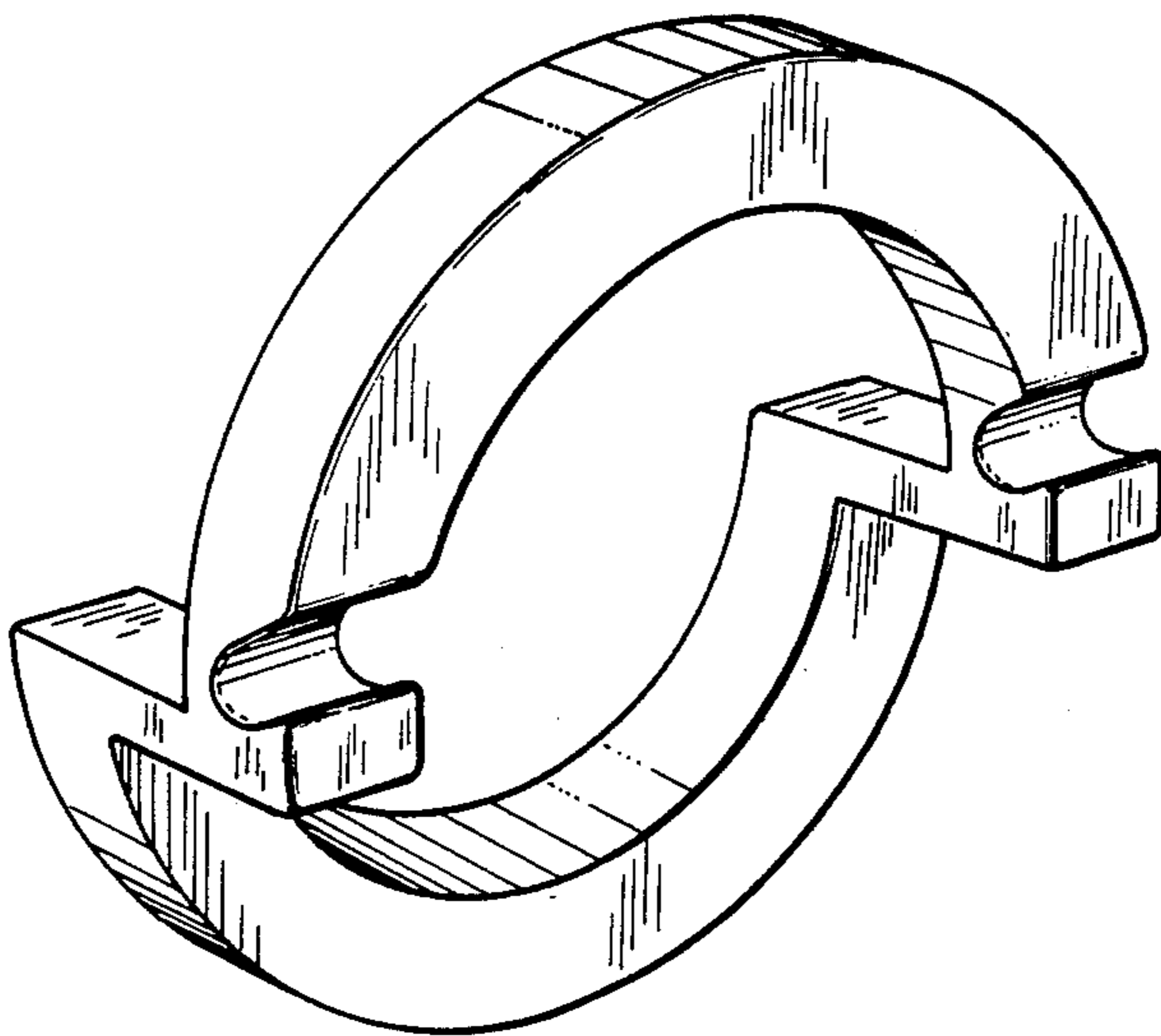
Primary Examiner—B. J. Bullock
Attorney, Agent, or Firm—Steinberg & Raskin

[57] **CLAIM**

The ornamental design for a coat hook, as shown and described.

DESCRIPTION

FIG. 1 is a top view of a coat hook showing my new design;
FIG. 2 is a perspective view thereof;
FIG. 3 is a bottom view thereof;
FIG. 4 is a right side view thereof;
FIG. 5 is a front view thereof;
FIG. 6 is a left side view thereof.
The rear is planar and unornamented.



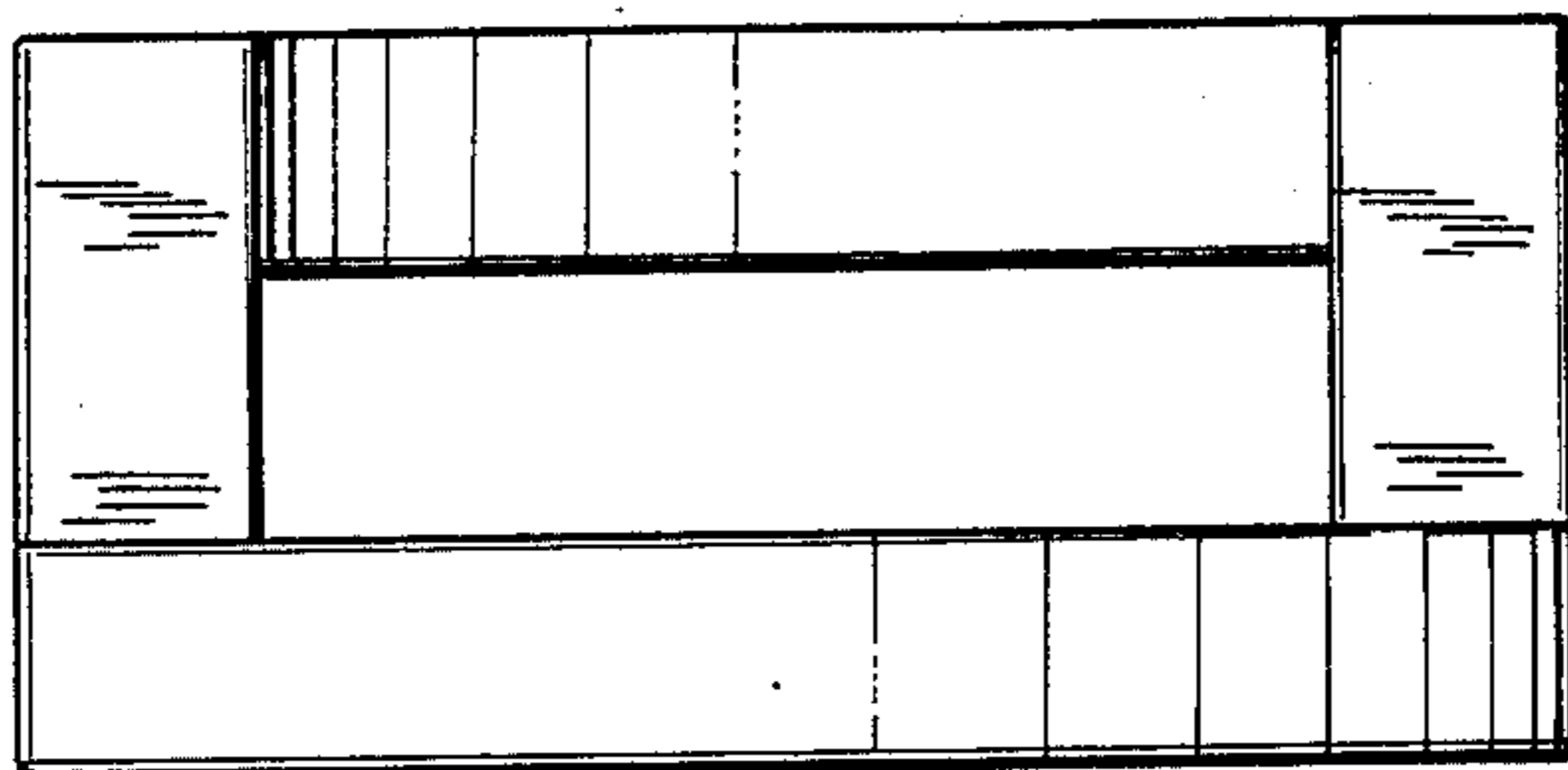


Fig. 1

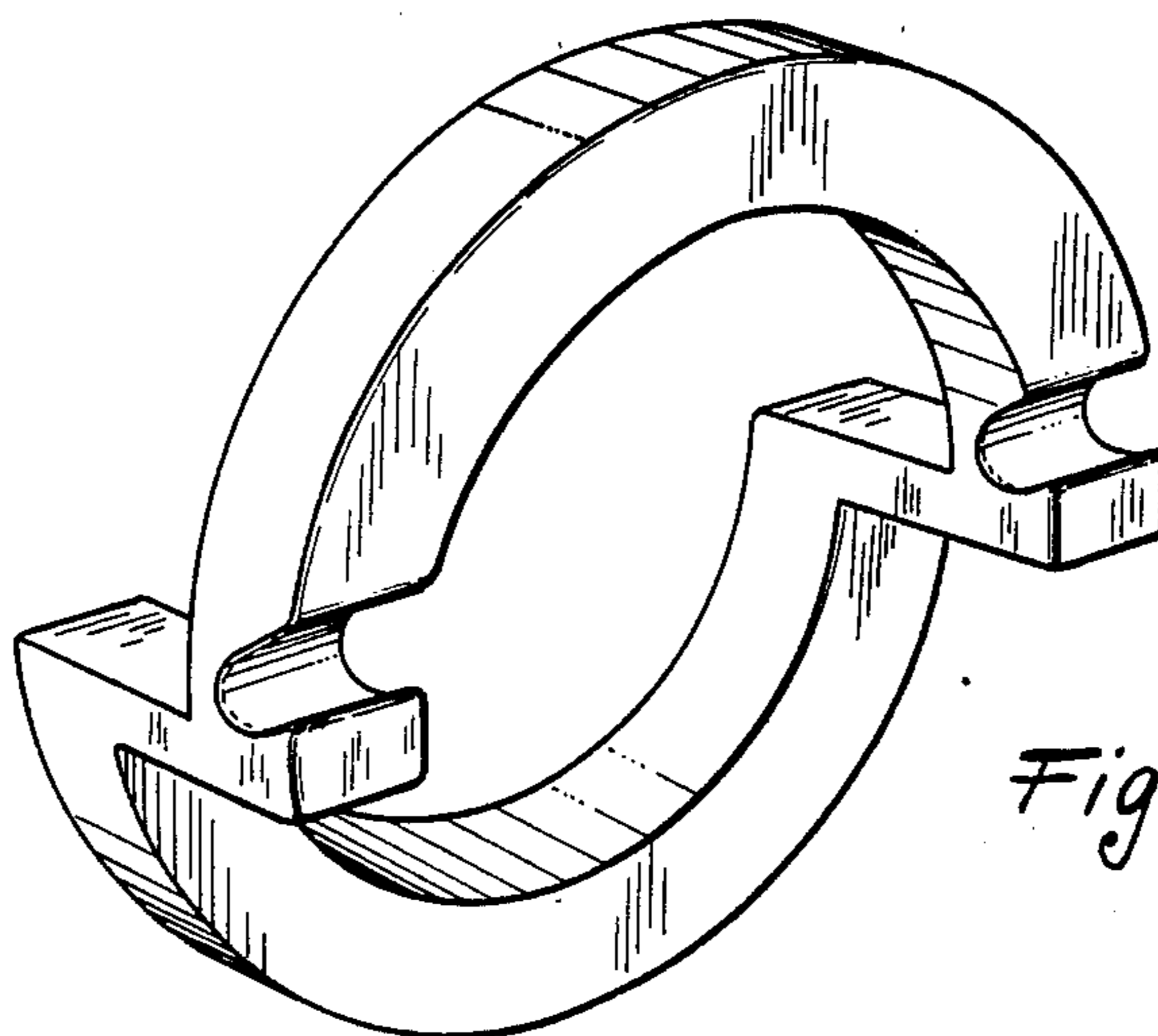


Fig. 2

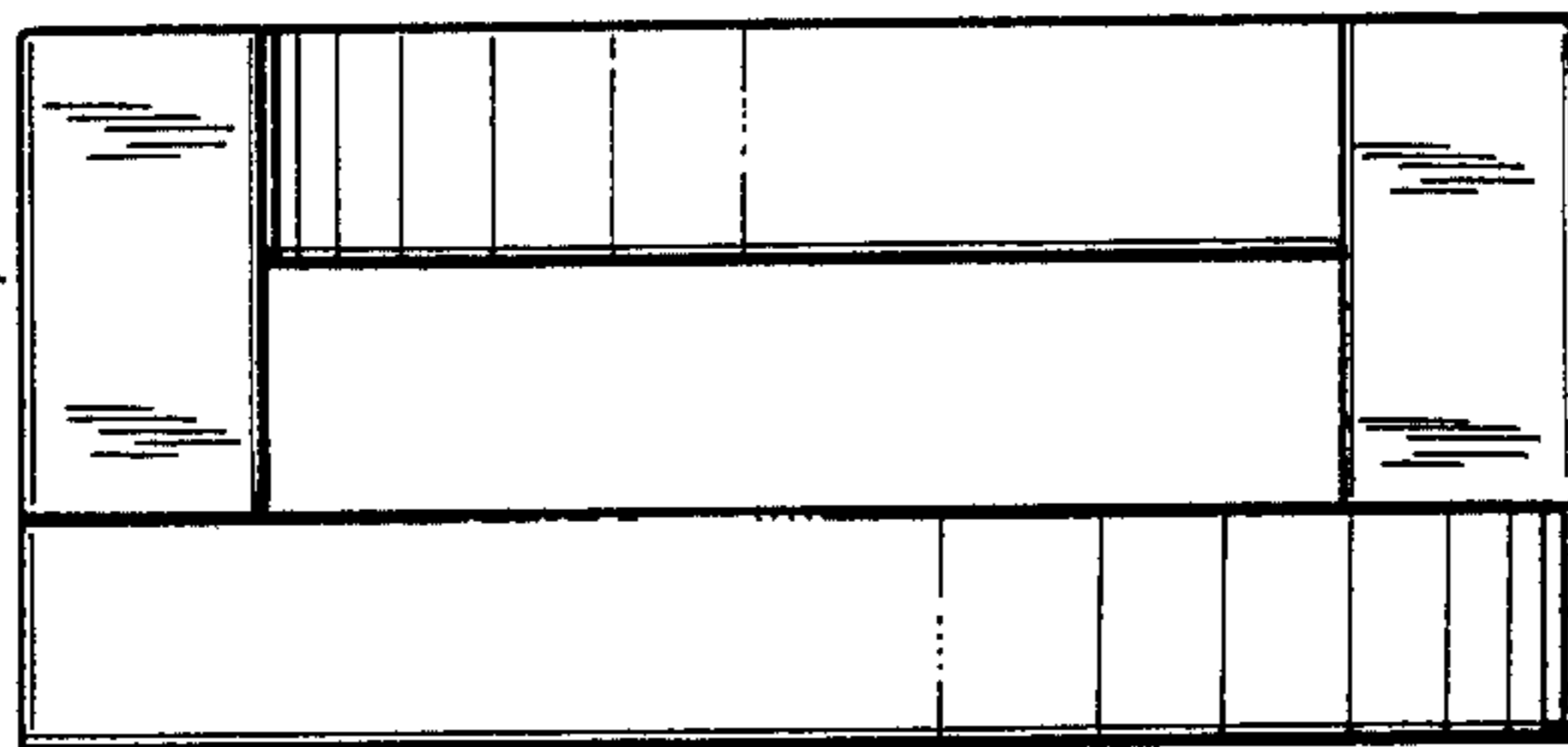


Fig. 3

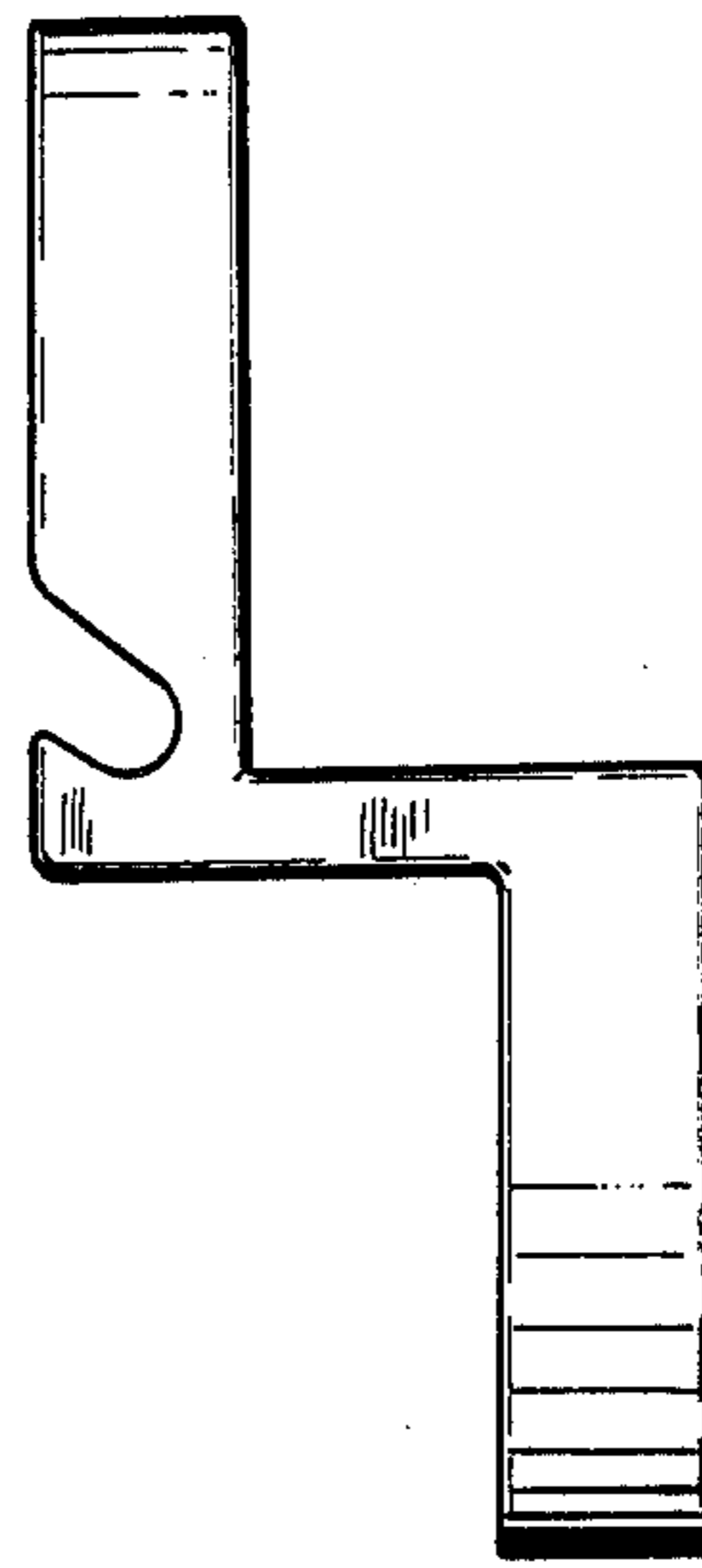


Fig. 4

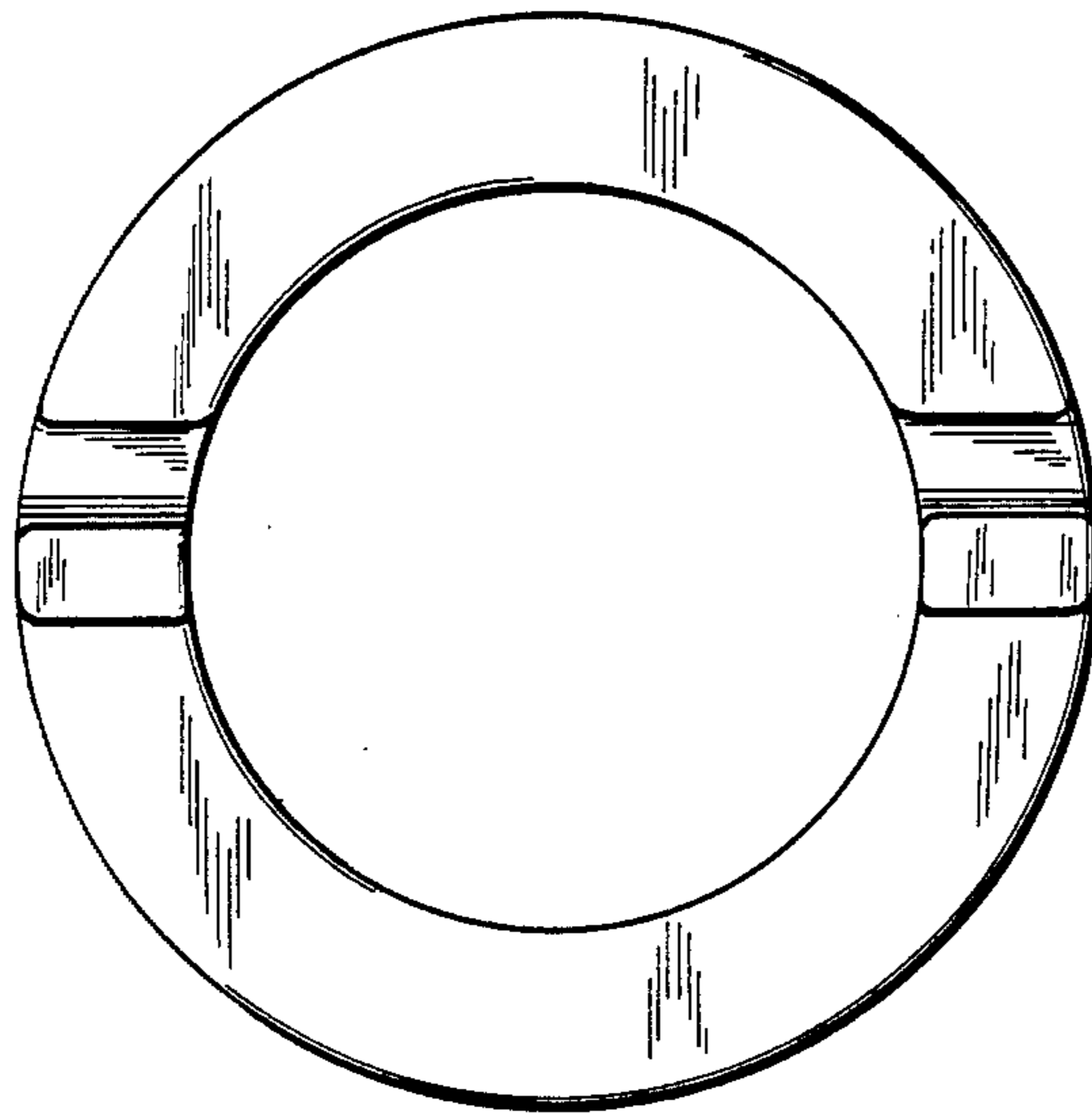


Fig. 5

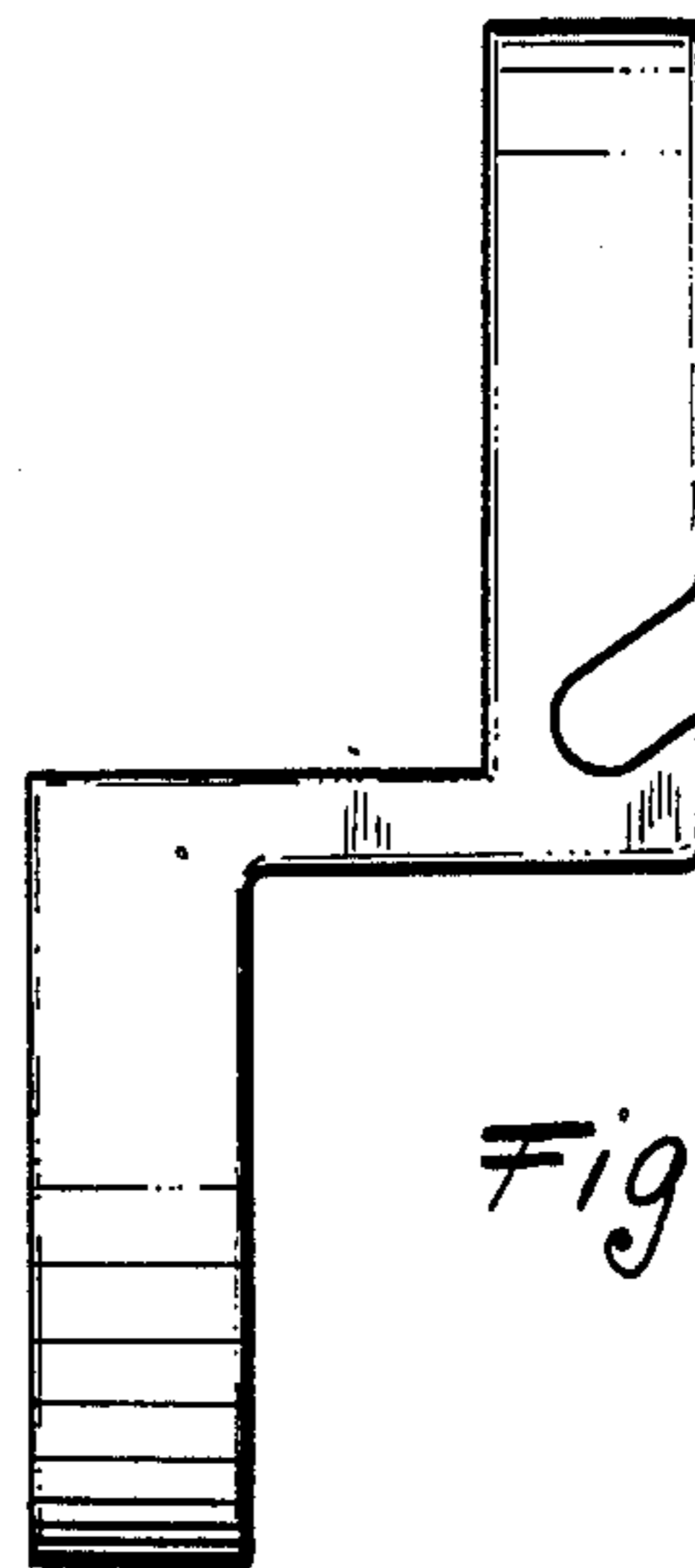


Fig. 6