

# United States Patent [19]

Wright

[11] Patent Number: **Des. 307,519**

[45] Date of Patent: **\*\* May 1, 1990**

[54] **DESK**

[75] Inventor: **David Wright, Droitwich, England**

[73] Assignee: **Remisystem (UK) Ltd.,  
Worcestershire, United Kingdom**

[\*\*] Term: **14 Years**

[21] Appl. No.: **10,891**

[22] Filed: **Feb. 4, 1987**

[30] **Foreign Application Priority Data**

Aug. 14, 1986 [ZA] South Africa ..... 86/0678

[52] U.S. Cl. .... **D6/484; D6/428**

[58] Field of Search ..... D6/422, 423, 424, 425,  
D6/426, 427, 428; 312/194, 195, 196

[56] **References Cited**

**U.S. PATENT DOCUMENTS**

- D. 241,214 8/1976 Szucs ..... D6/428
- D. 281,297 11/1985 Esslinger ..... D6/484
- D. 284,532 7/1986 Vogt ..... D6/428

D. 292,154 10/1987 Worrell et al. .... D6/484

**OTHER PUBLICATIONS**

*Interiors*, 12-1972, p. 22; Linder Desk, item "B", top left on page.

*Fidelity Products Co.*, 1981, p. 40; Stand-Up Work Station, bottom right on page.

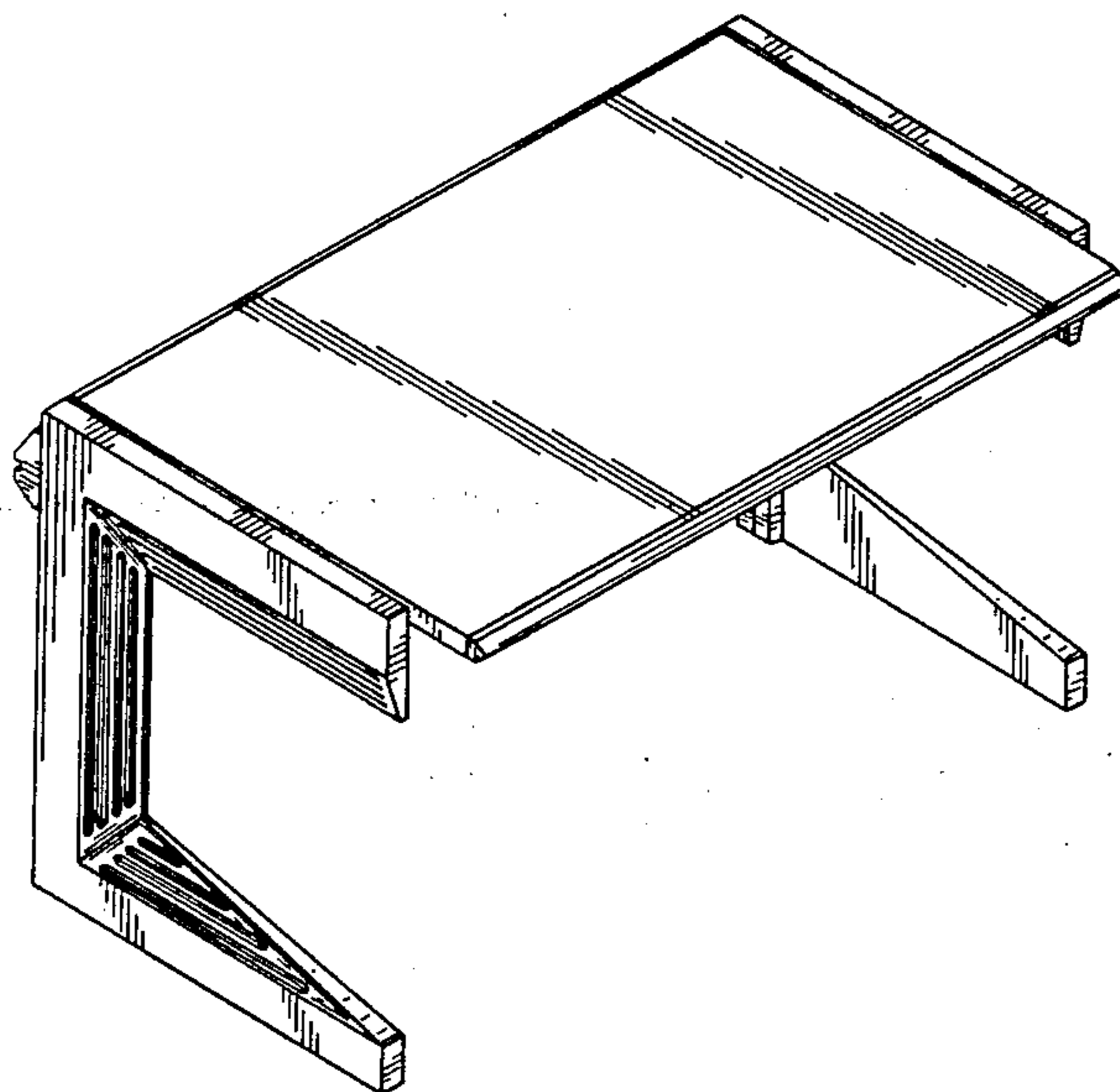
*Primary Examiner*—Carmen H. Vales-Lado  
*Attorney, Agent, or Firm*—Seidel, Gonda, Lavorgna & Monaco

[57] **CLAIM**

The ornamental design for a desk, as shown.

**DESCRIPTION**

FIG. 1 is a perspective view of a desk showing my new design;  
FIG. 2 is a rear elevational view thereof;  
FIG. 3 is a top plan view thereof;  
FIG. 4 is a front elevational view thereof;  
FIG. 5 is a left side elevational view thereof; and  
FIG. 6 is a bottom plan view thereof.



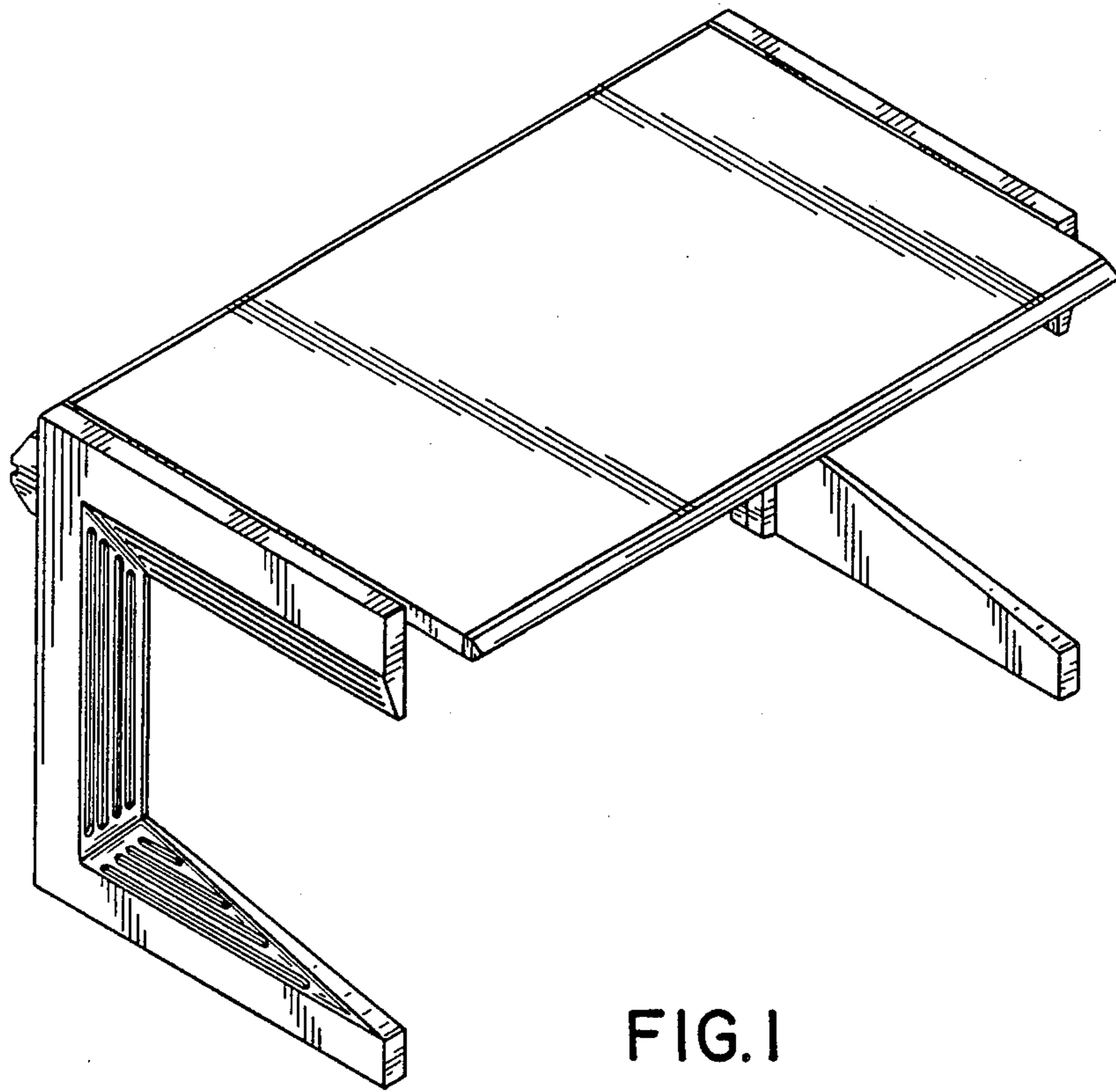


FIG. 1

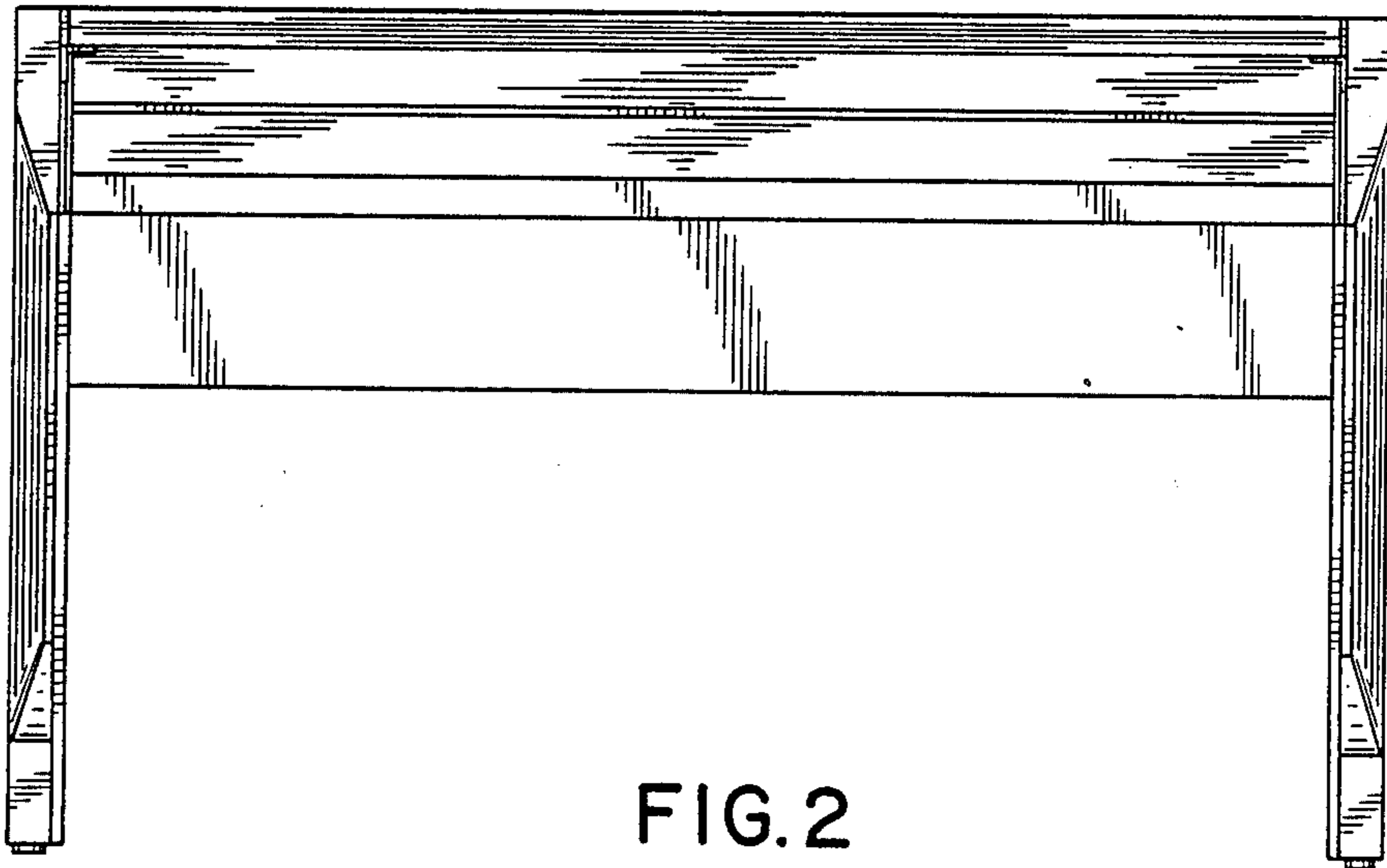


FIG. 2

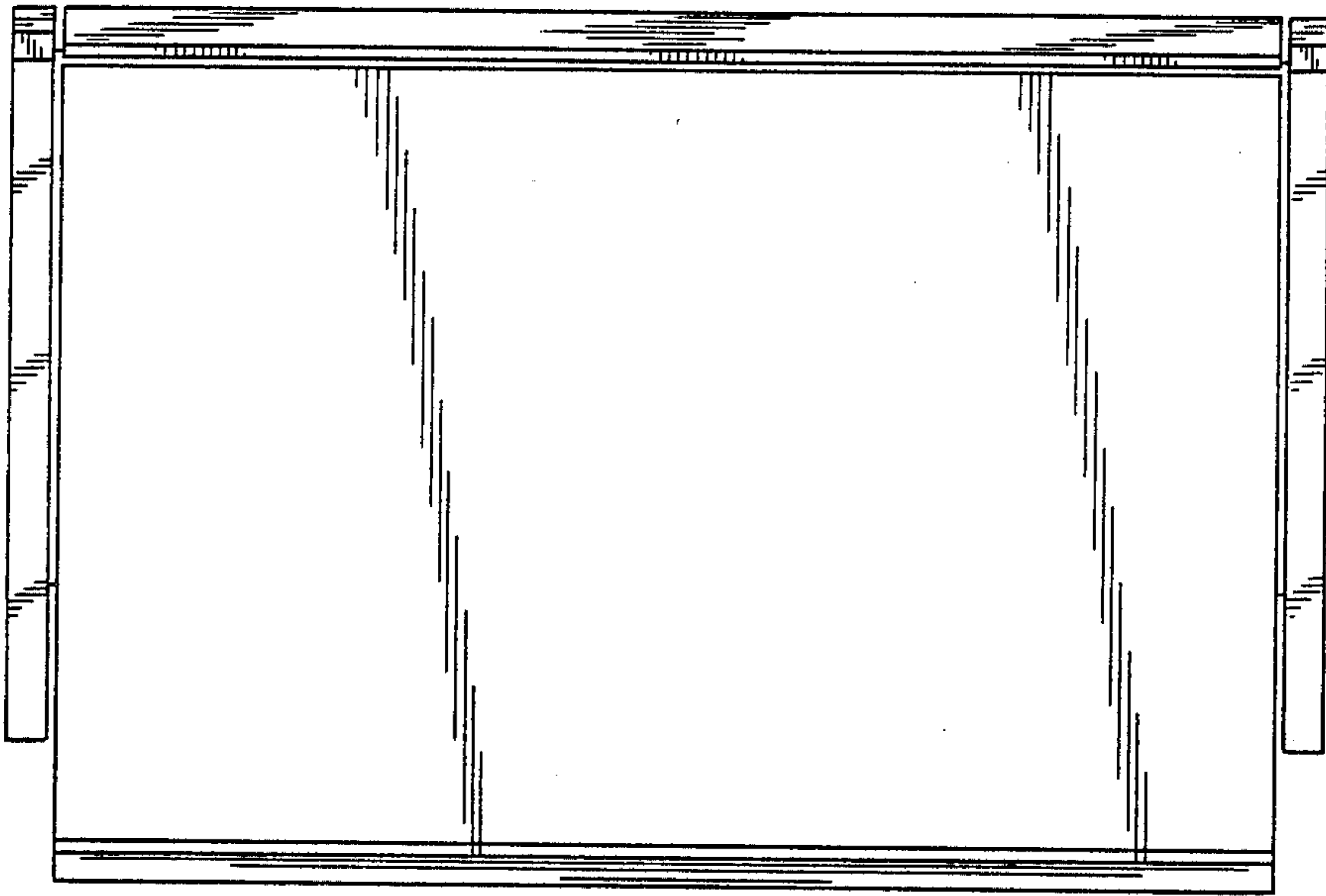


FIG. 3

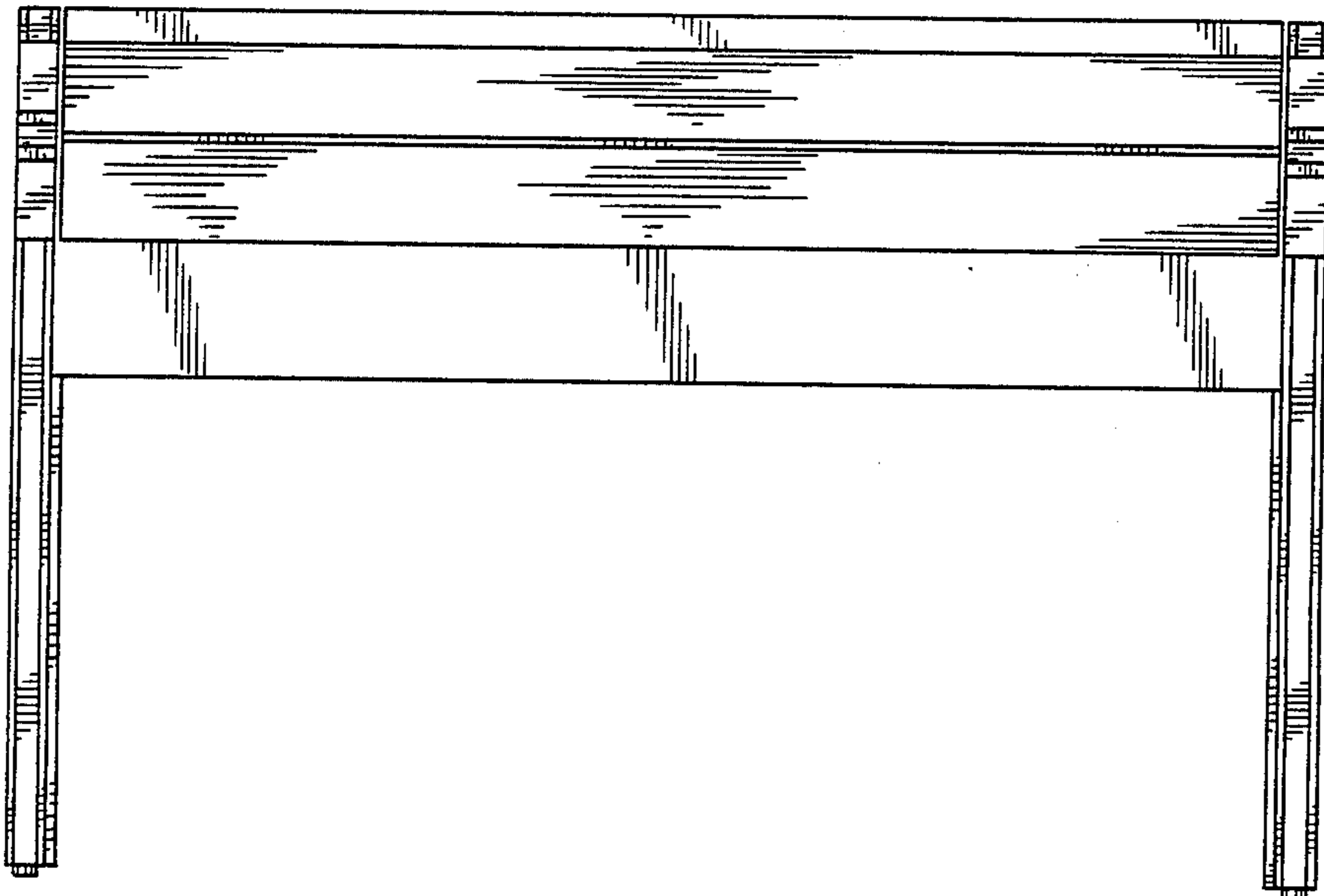


FIG. 4

FIG. 5

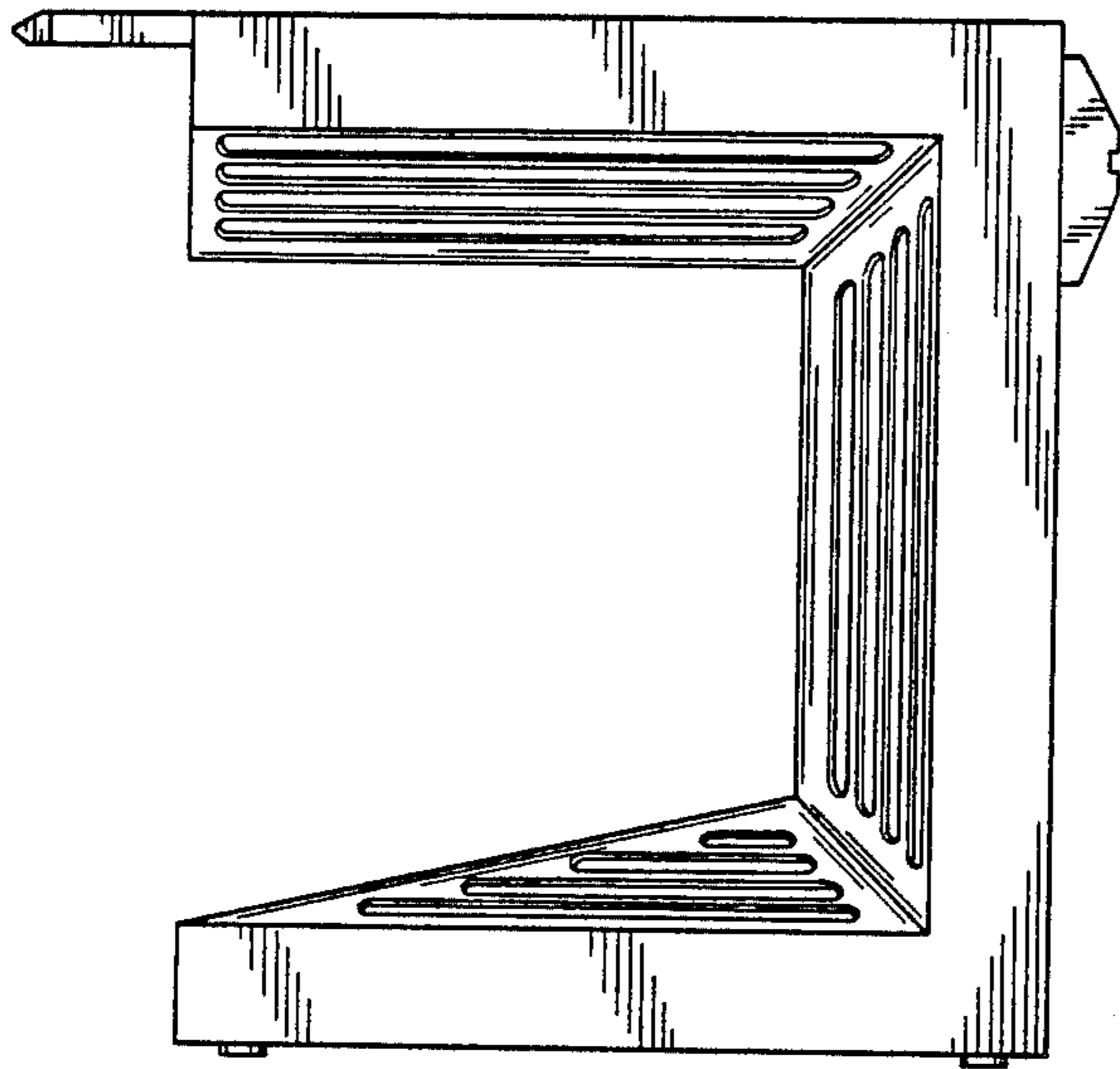


FIG. 6

