

[54] COMBINED FLOOR BRUSH HEAD AND SQUEEGEE

[75] Inventors: John W. R. Mallory, Chatham; Edward W. Adair; William F. Mallory, both of Blenheim, all of Canada

[73] Assignee: Mallory Industries Inc., Blenheim, Canada

[\*\*] Term: 14 Years

[21] Appl. No.: 97,914

[22] Filed: Sep. 17, 1987

[30] Foreign Application Priority Data

Apr. 30, 1987 [CA] Canada ..... 30-04-87-2  
[52] U.S. Cl. .... D4/116; D4/135; D32/41; D32/50  
[58] Field of Search ..... D4/116, 130-132, D4/199; D32/40, 50-52; 15/111, 159 R, 159 A, 160, 171-172, 245

[56] References Cited

U.S. PATENT DOCUMENTS

D. 143,537 1/1946 Le Febvre ..... D4/132  
D. 270,971 10/1983 Stevens et al. .... D4/132  
D. 278,099 3/1985 Evans ..... D4/116  
D. 287,173 12/1986 Libman ..... D32/51

FOREIGN PATENT DOCUMENTS

1043347 6/1953 France ..... 15/111

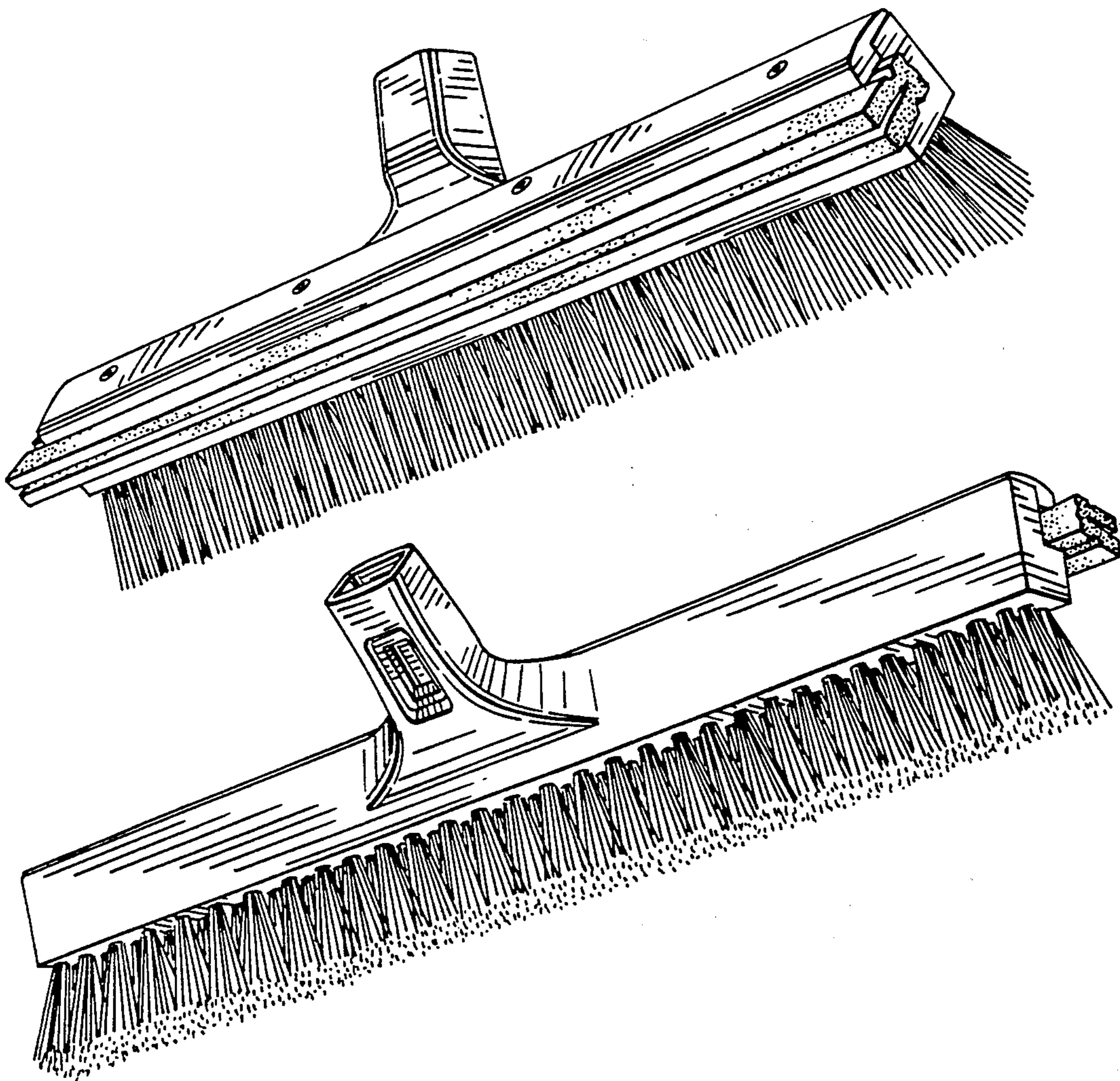
Primary Examiner—Wallace R. Burke  
Assistant Examiner—Lavone D. Tabor  
Attorney, Agent, or Firm—Fetherstonhaugh & Co.

[57] CLAIM

The ornamental design for a combined floor brush head and squeegee, as shown and described.

DESCRIPTION

FIG. 1 is a front perspective view of a combined floor brush head and squeegee showing our new design, FIG. 2 is a rear perspective view thereof, FIG. 3 is a side elevational view thereof, the opposite side being a mirror image; and FIG. 4 is a rear elevational view thereof.



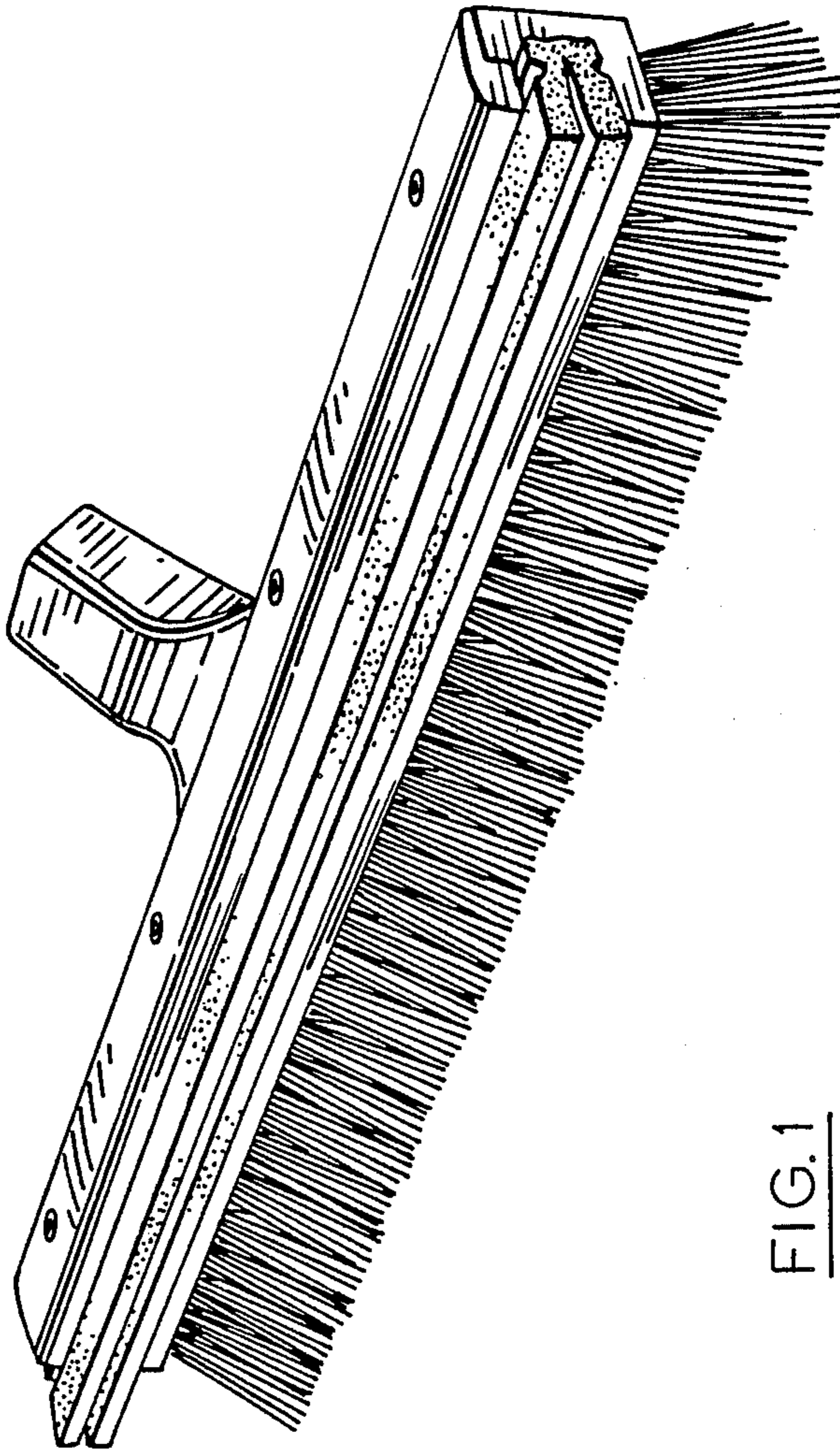


FIG. 1

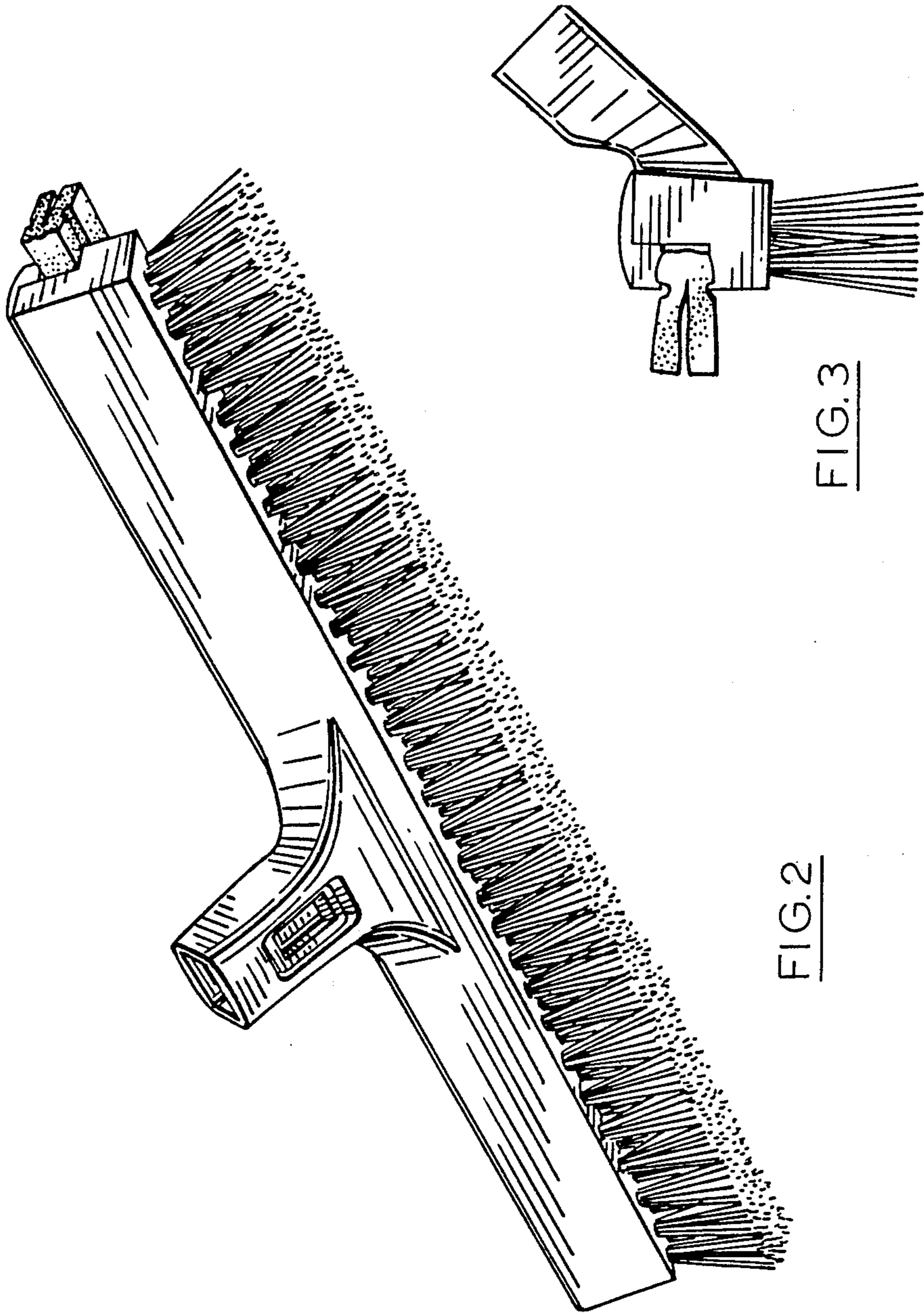


FIG. 3

FIG. 2

FIG. 4

