

[54] **BELT BUCKLE COVER**

[76] **Inventor: Cephia Woods, 219 N. Lakeland Ave., Orlando, Fla. 32805**

[\*\*] **Term: 14 Years**

[21] **Appl. No.: 16,235**

[22] **Filed: Feb. 19, 1987**

[52] **U.S. Cl. .... D2/639**

[58] **Field of Search ..... D2/3, 627, 639; D6/315; D29/10, 11; 2/DIG. 6; 150/55; 223/98**

[56] **References Cited**

**FOREIGN PATENT DOCUMENTS**

1169159 10/1969 United Kingdom ..... 150/154

*Primary Examiner*—Nelson C. Holtje  
*Assistant Examiner*—Antoine O. Davis

*Attorney, Agent, or Firm*—Warren L. Franz

[57] **CLAIM**

The ornamental design for a belt buckle cover, as shown and described.

**DESCRIPTION**

FIG. 1 is a top and left, front perspective view of a belt buckle cover showing my new design;

FIG. 2 is a top and left, rear elevational view;

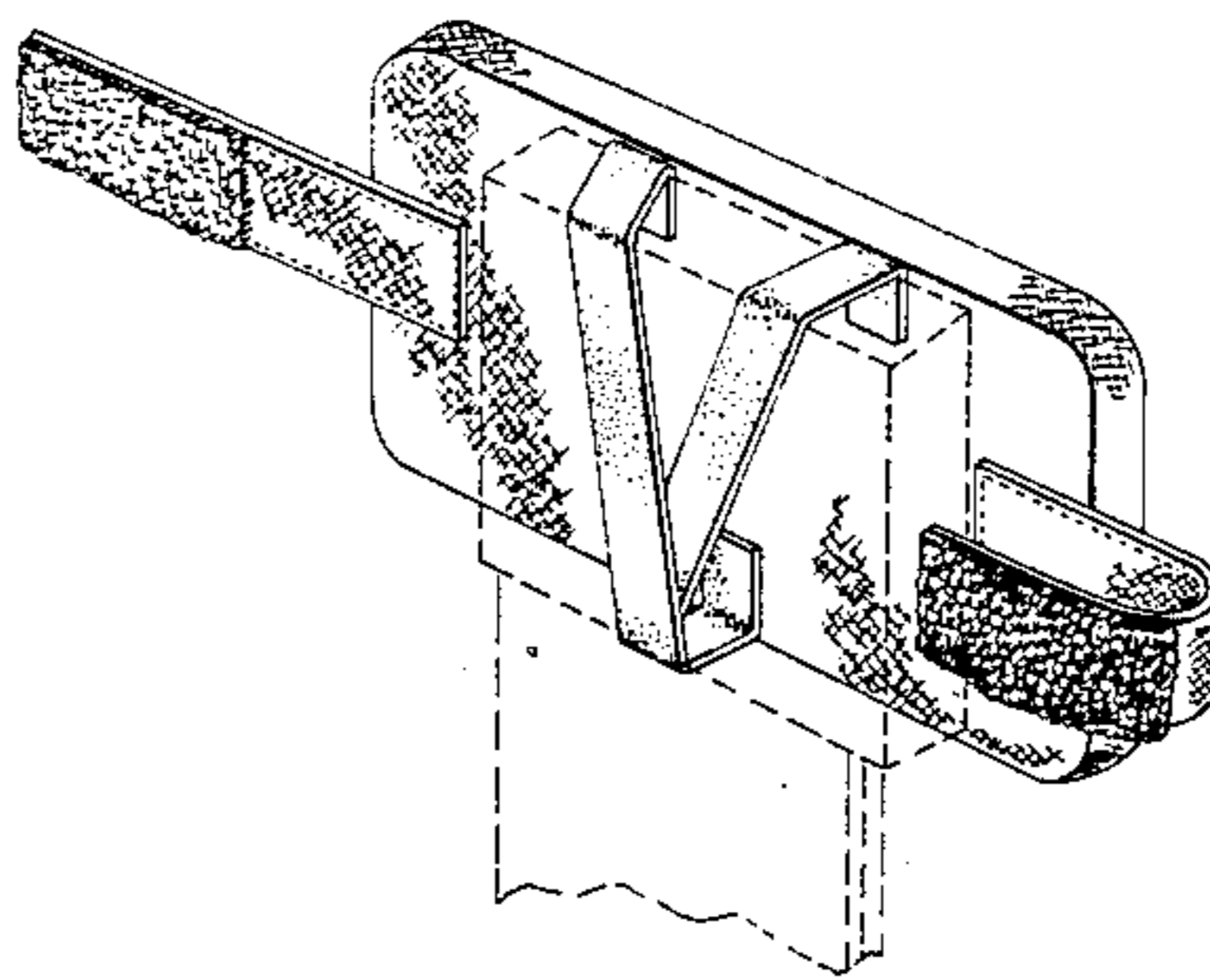
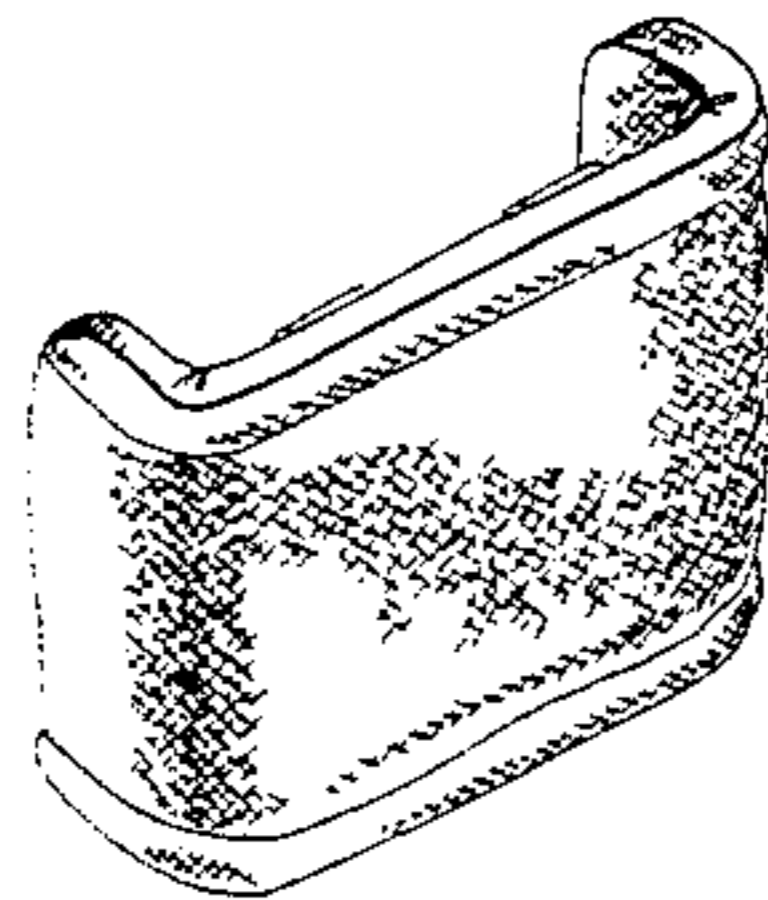
FIG. 3 is a top plan view;

FIG. 4 is a bottom plan view;

FIG. 5 is a left side elevational view;

FIG. 6 is an expanded rear perspective view, the broken line showing of a belt buckle is for illustrative purposes only and forms no part of the claimed design thereof; and

FIG. 7 is an expanded front elevational view, the ends being broken away for illustrative purposes only.



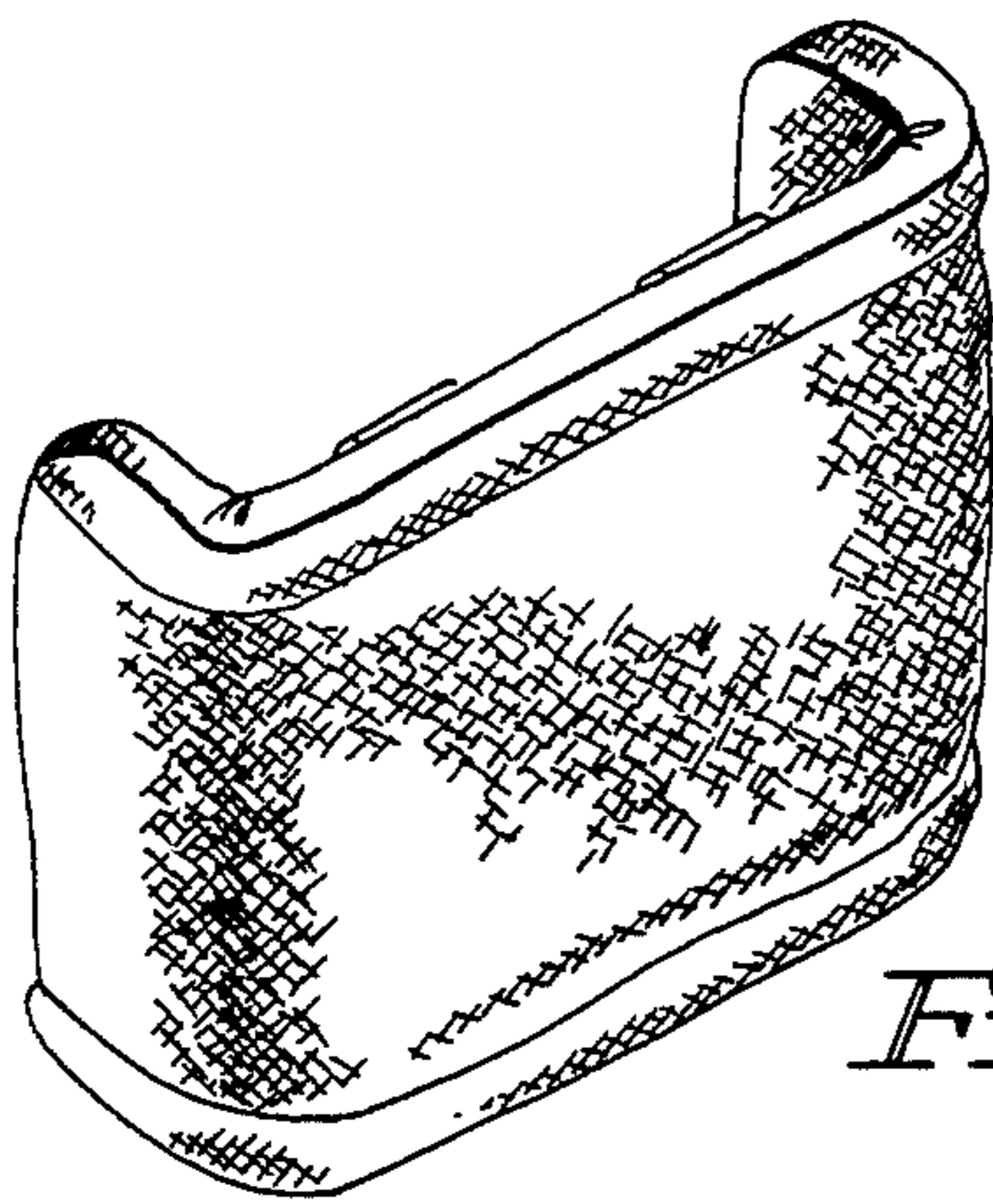


FIG. 1

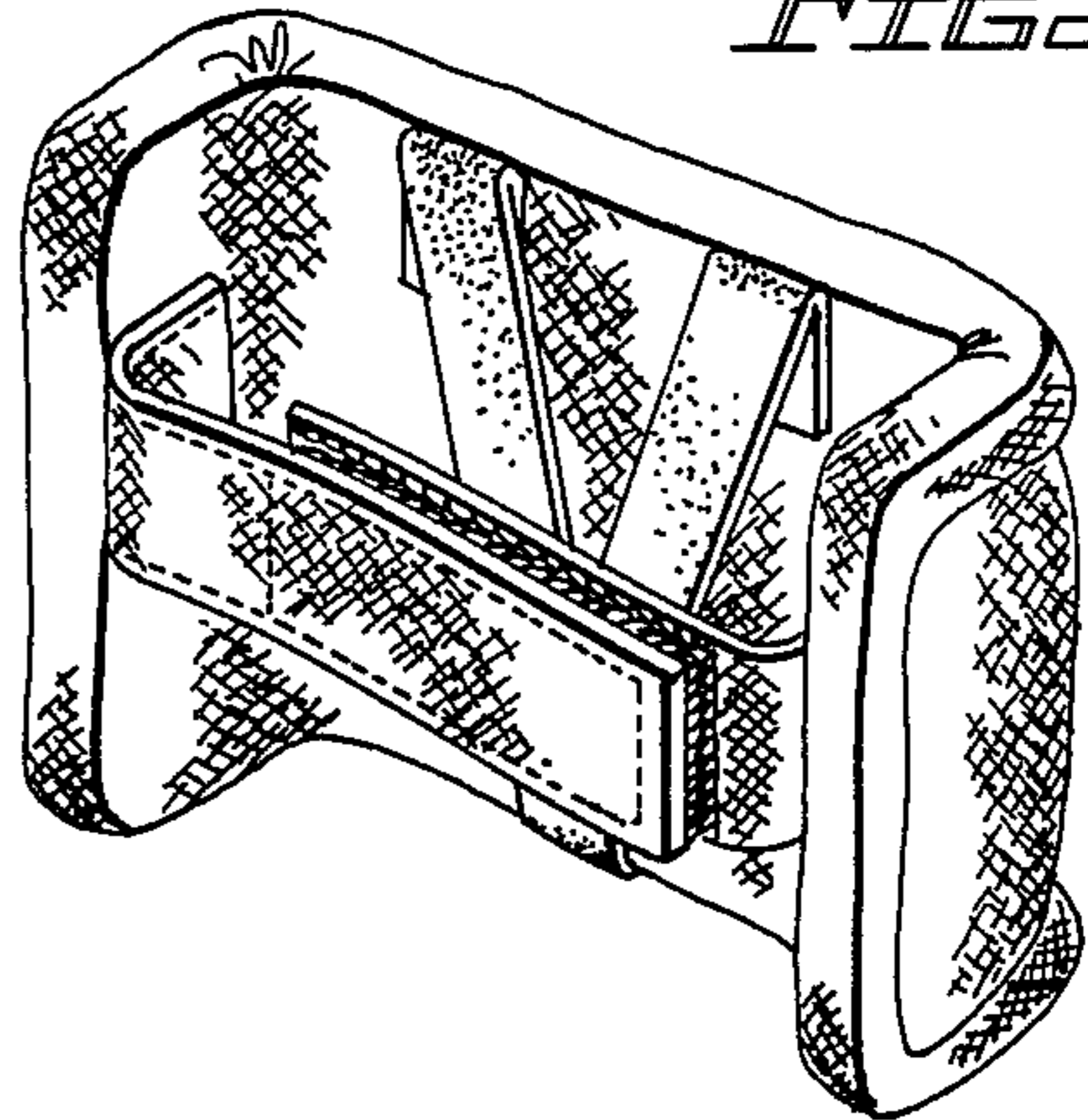


FIG. 2

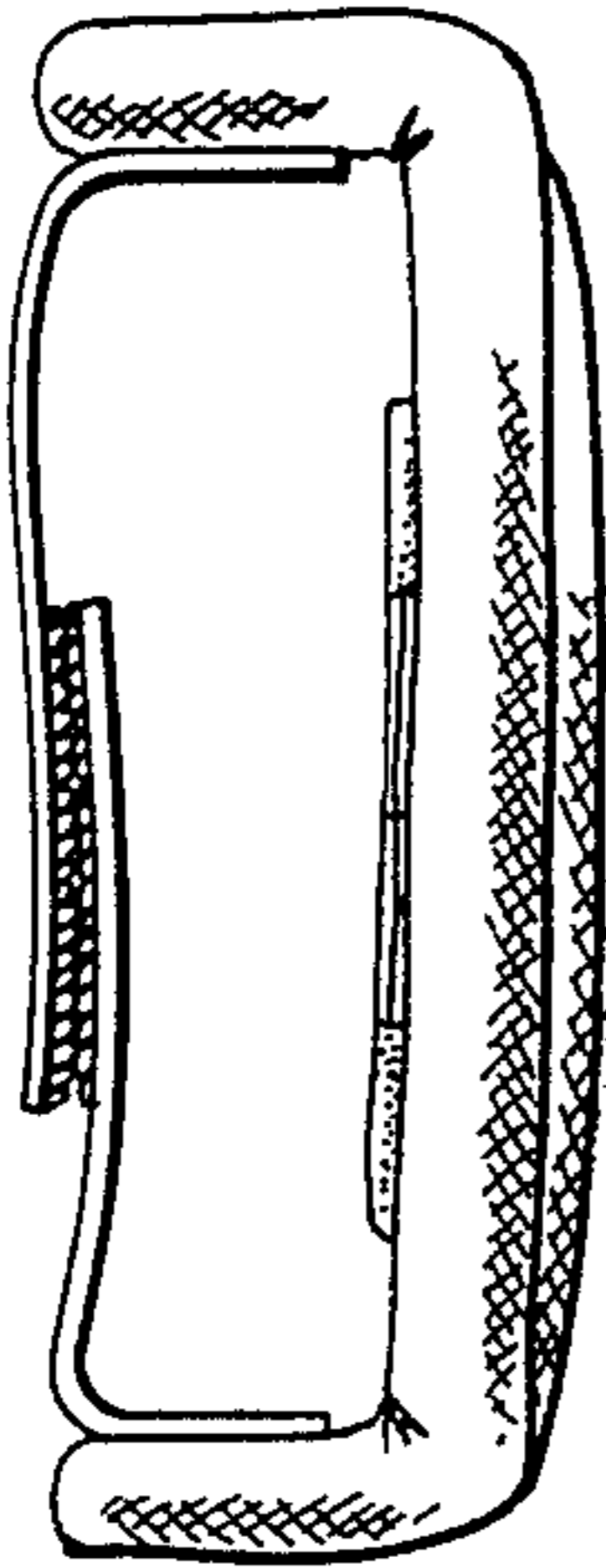


FIG. 3

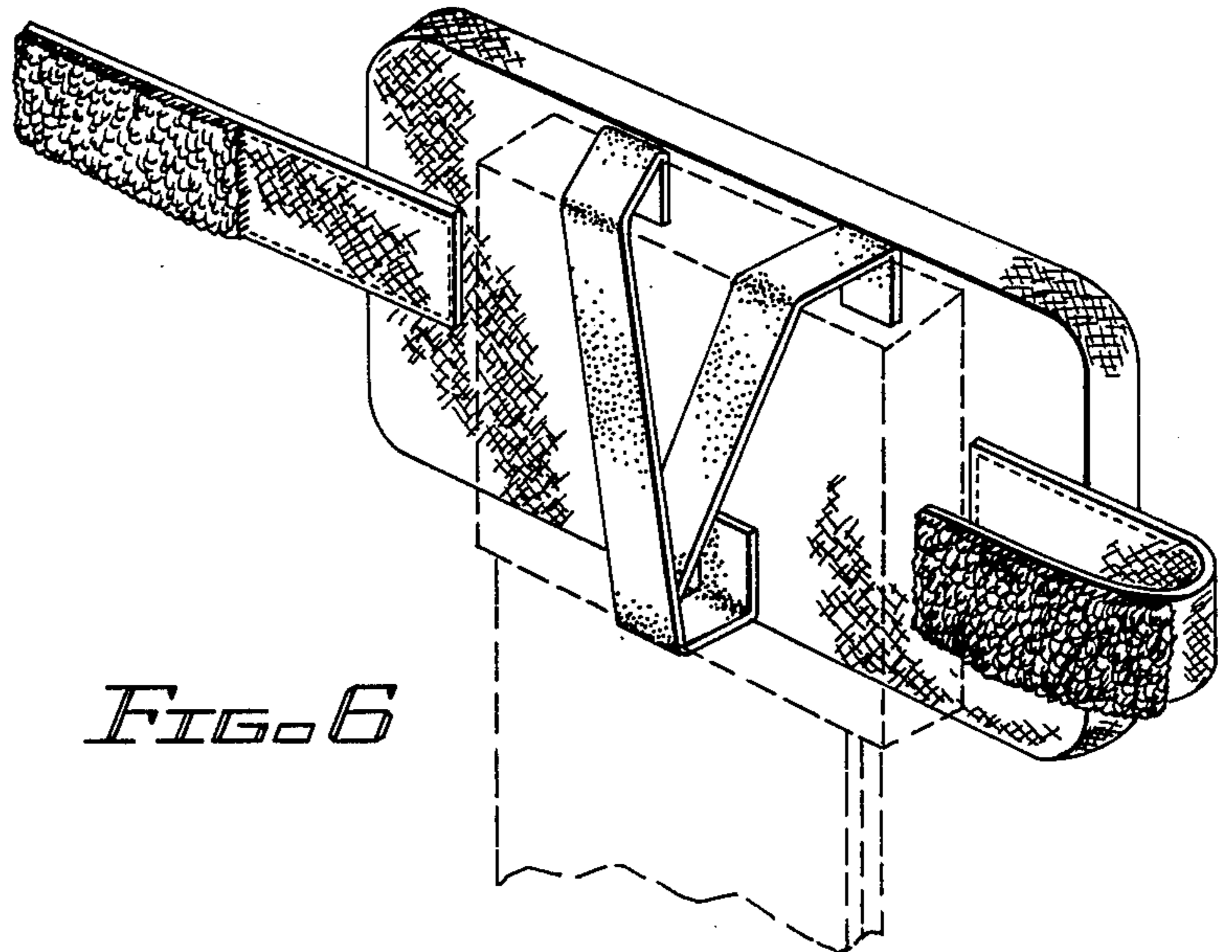


FIG. 6

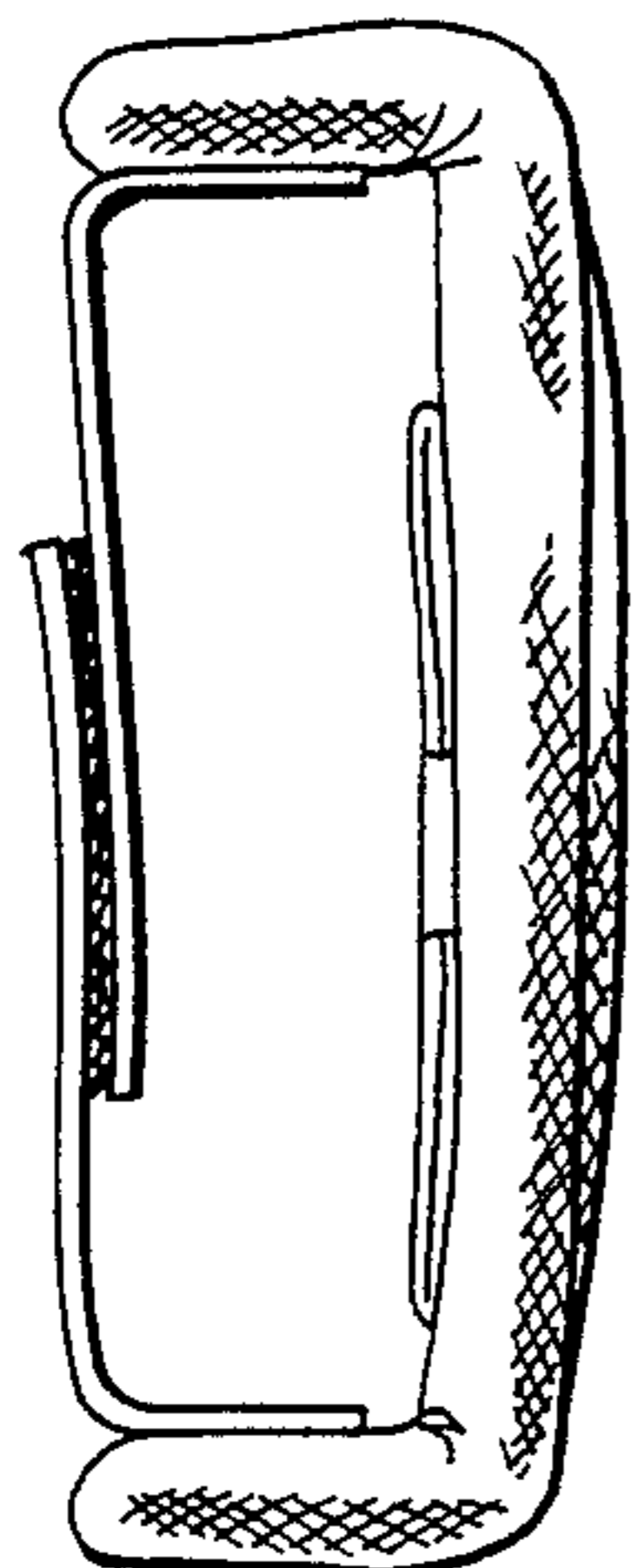


FIG. 4

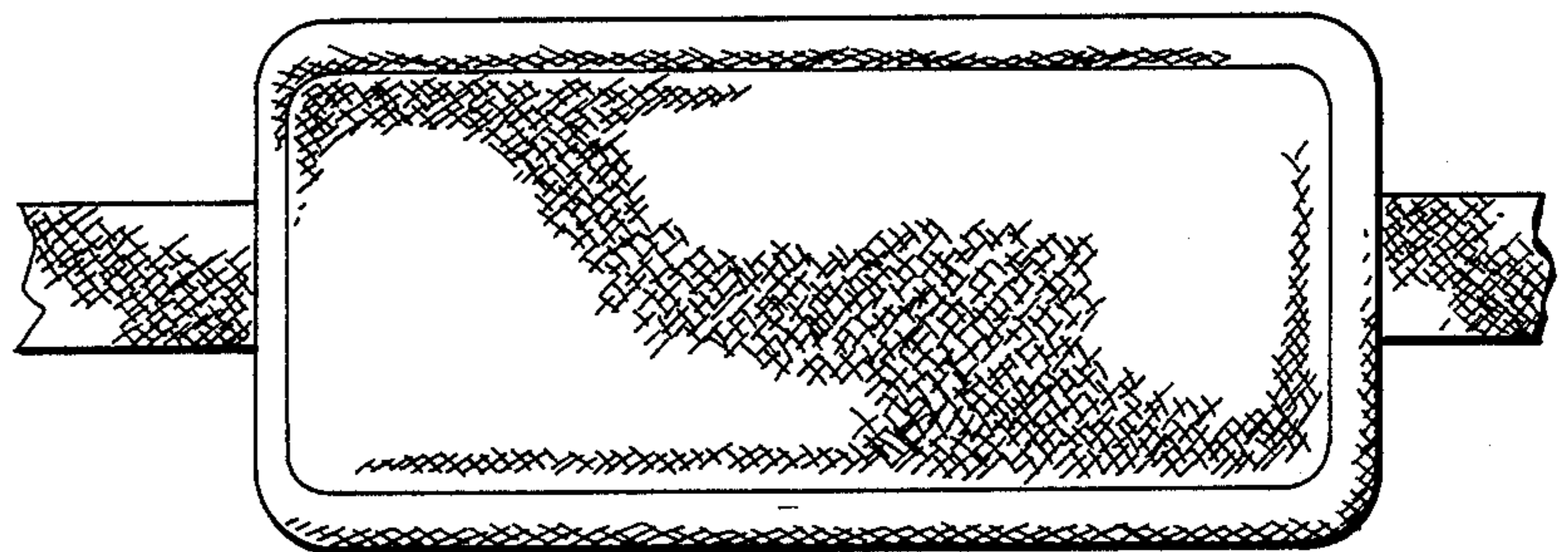


FIG. 7



FIG. 5