

[54] **COIN COLLECTOR**

[75] **Inventor: Stevan M. Divnick, Spring Valley, Ohio**

[73] **Assignee: Divnick International, Inc., Spring Valley, Ohio**

[**] **Term: 14 Years**

[21] **Appl. No.: 29,491**

[22] **Filed: Mar. 23, 1987**

[52] **U.S. Cl. D99/34; D21/12**

[58] **Field of Search 206/0.8, 0.81, 0.82; 232/4 R, 4 D, 7, 55; 446/8-13; 453/58, 61, 63; 493/945; D99/34-42; D21/8, 12**

[56] **References Cited**

U.S. PATENT DOCUMENTS

D. 238,891 2/1976 Smith D21/12
D. 289,218 4/1987 Divnick D99/34

Primary Examiner—Winifred E. Herrmann
Assistant Examiner—John Warchol
Attorney, Agent, or Firm—Biebel, French & Nauman

[57] **CLAIM**

The ornamental design for a coin collector, as shown.

DESCRIPTION

FIG. 1 is a front elevational view of a coin collector showing my new design;
FIG. 2 is a right side elevational view thereof;
FIG. 3 is a rear elevational view thereof;
FIG. 4 is a top plan view thereof;
FIG. 5 is a bottom plan view thereof; and
FIG. 6 is a top, front and right side perspective view thereof.

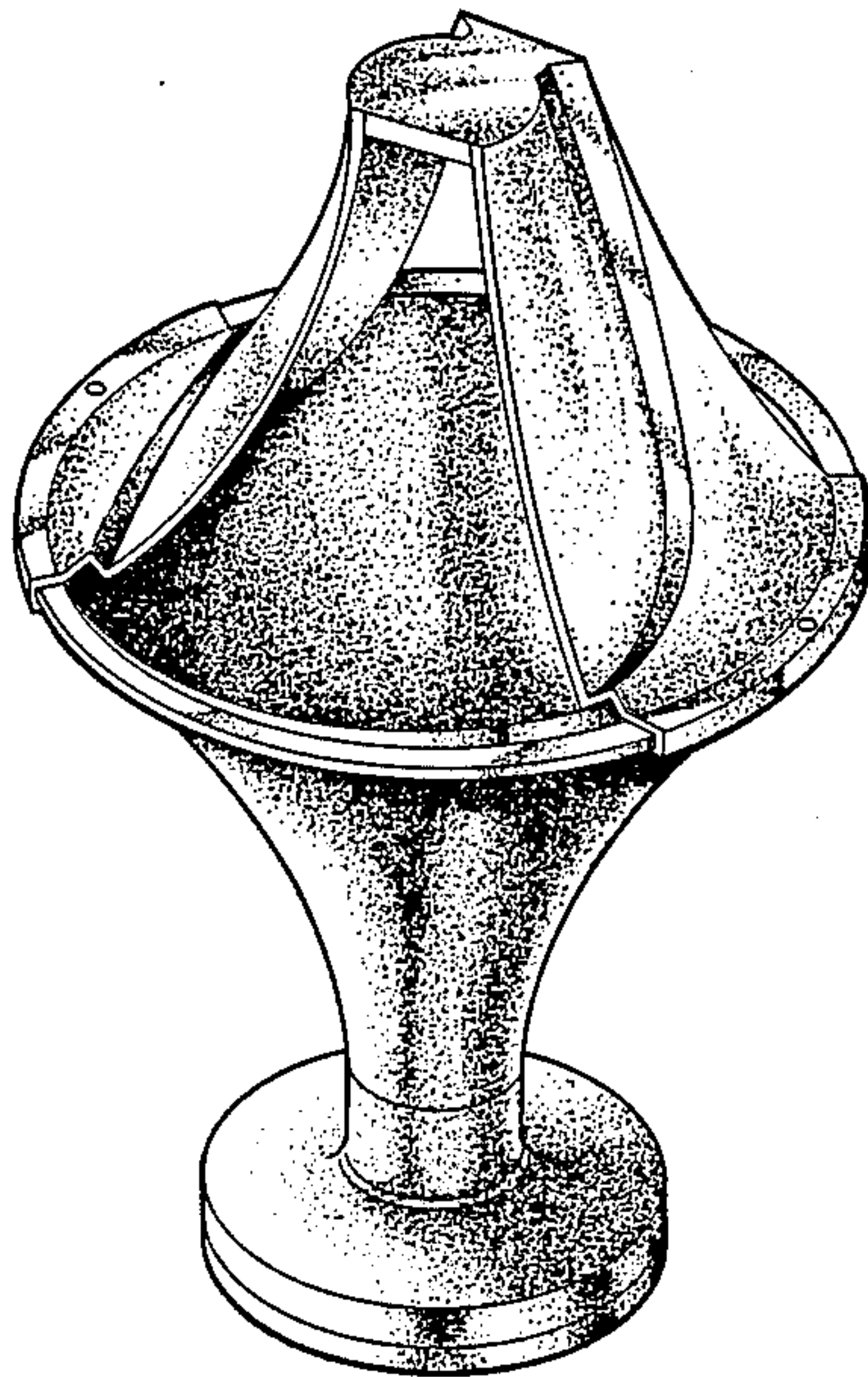


FIG-1

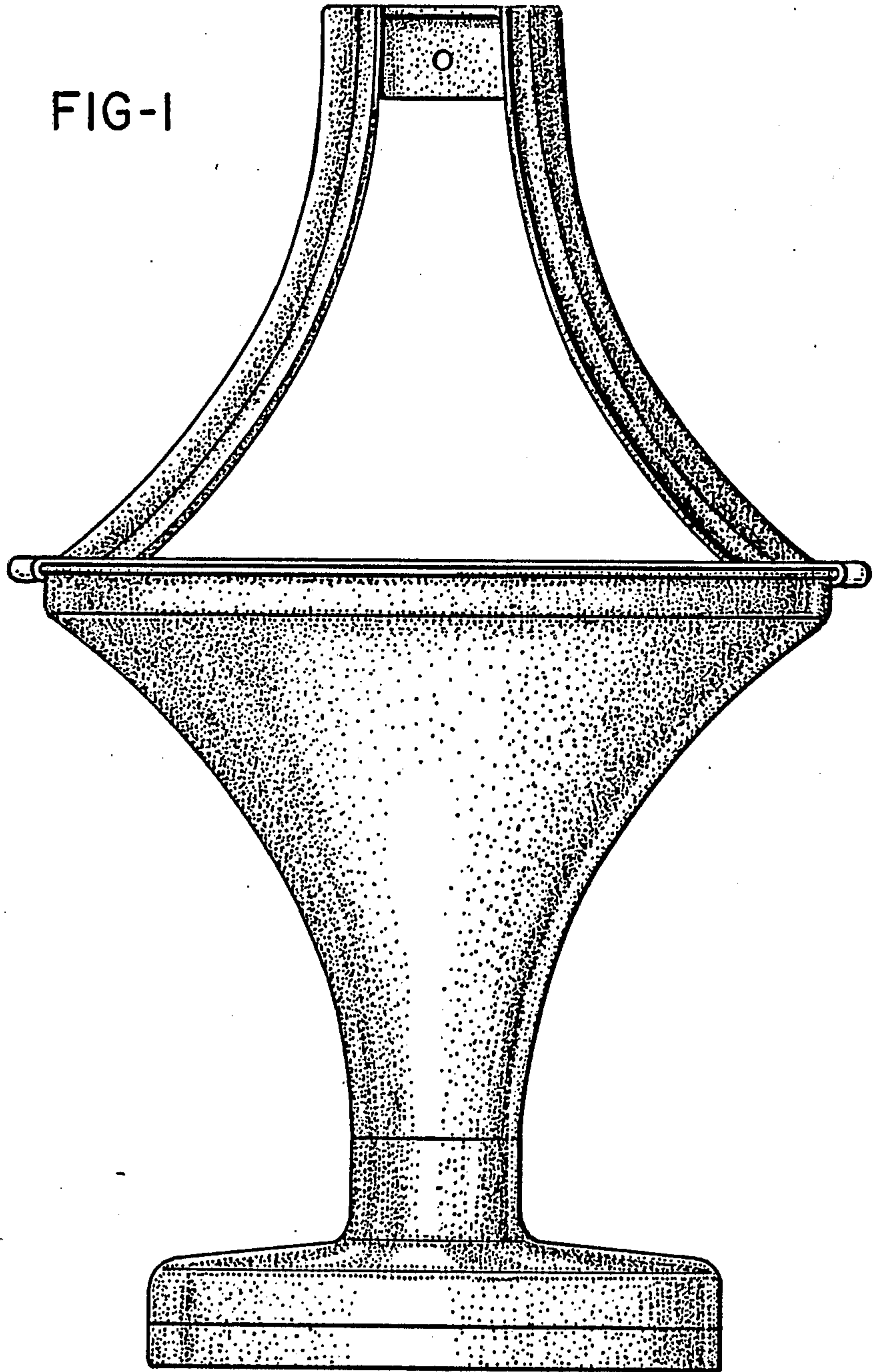


FIG-2

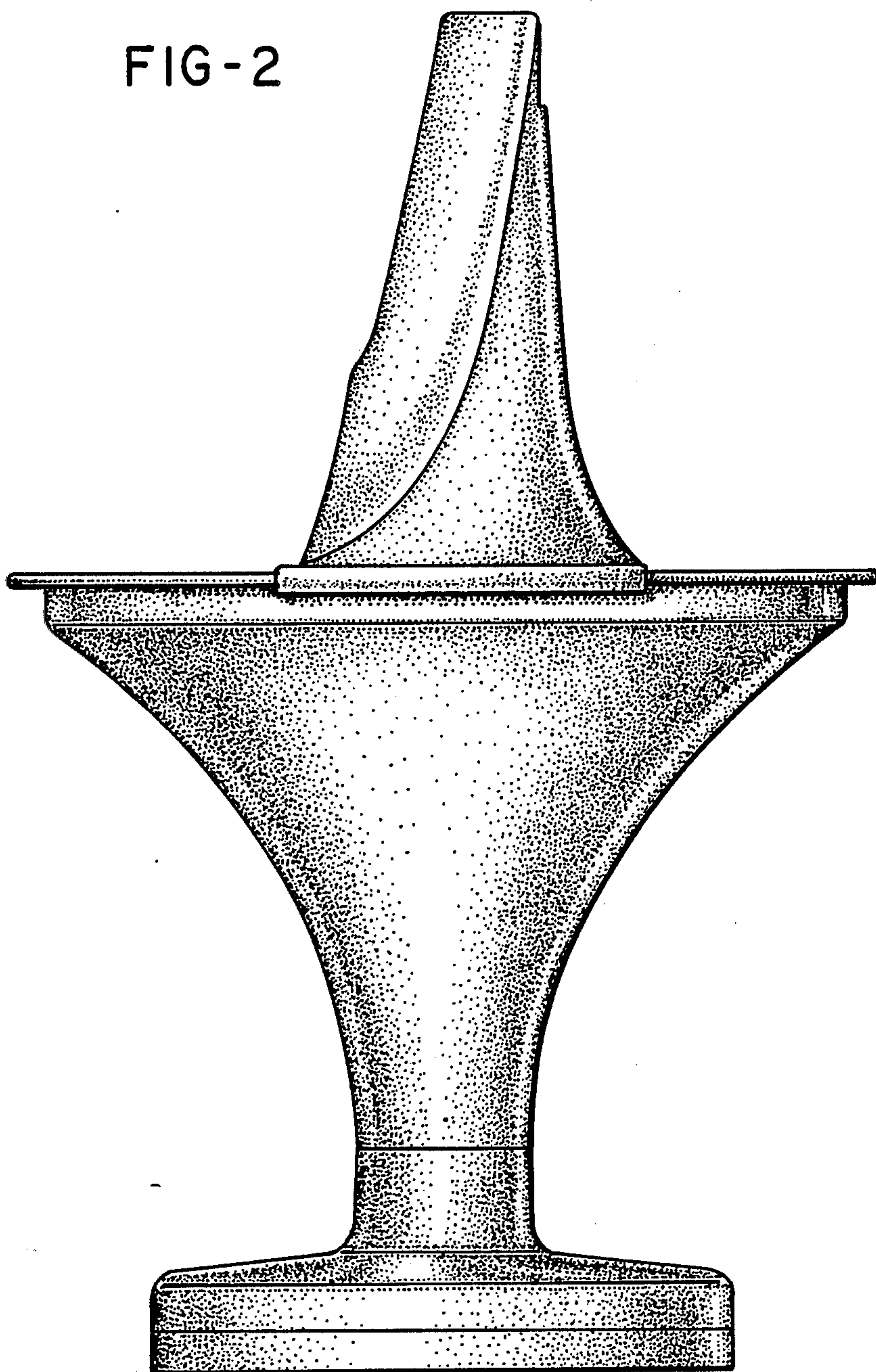


FIG-3

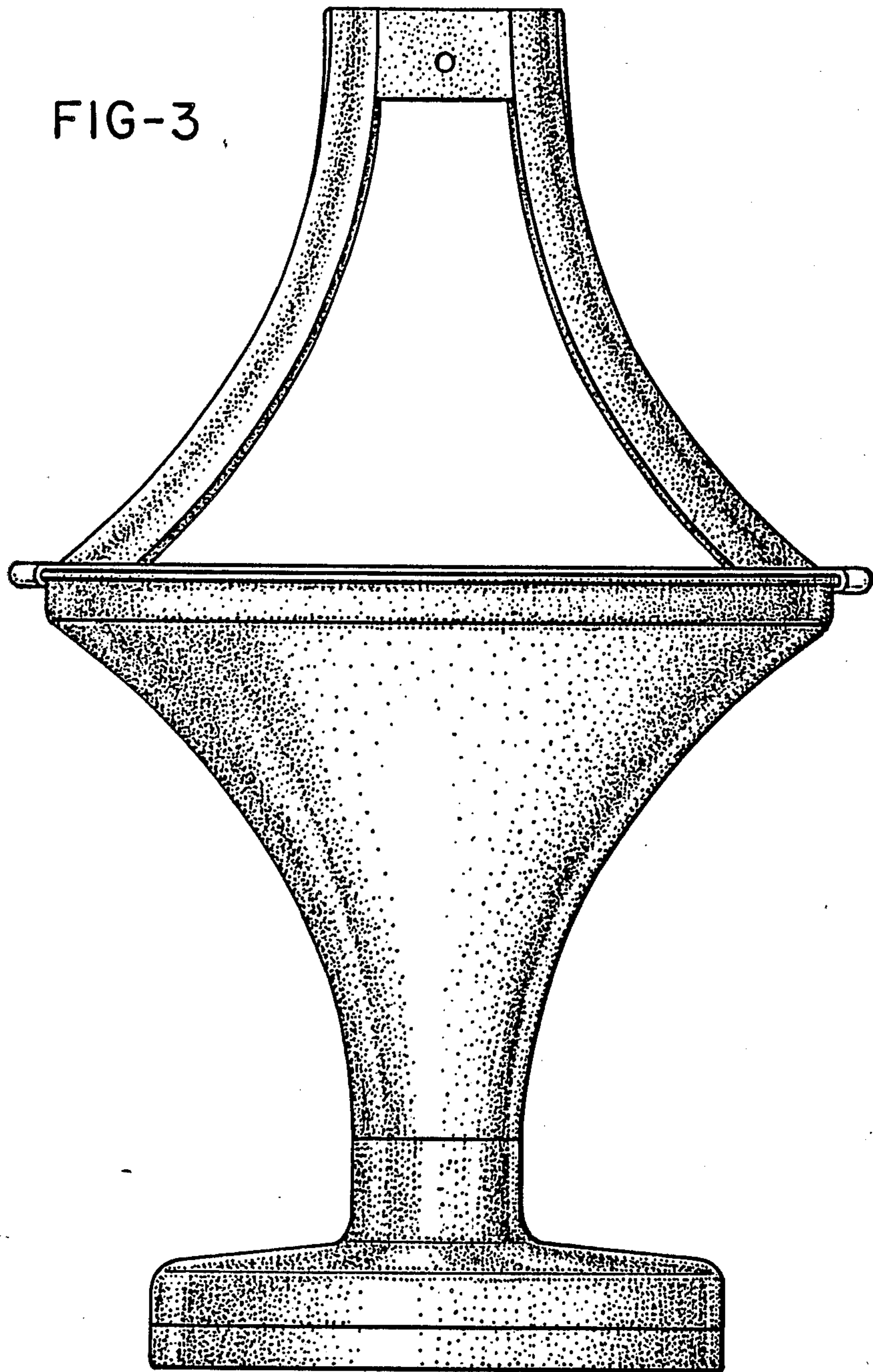


FIG-4

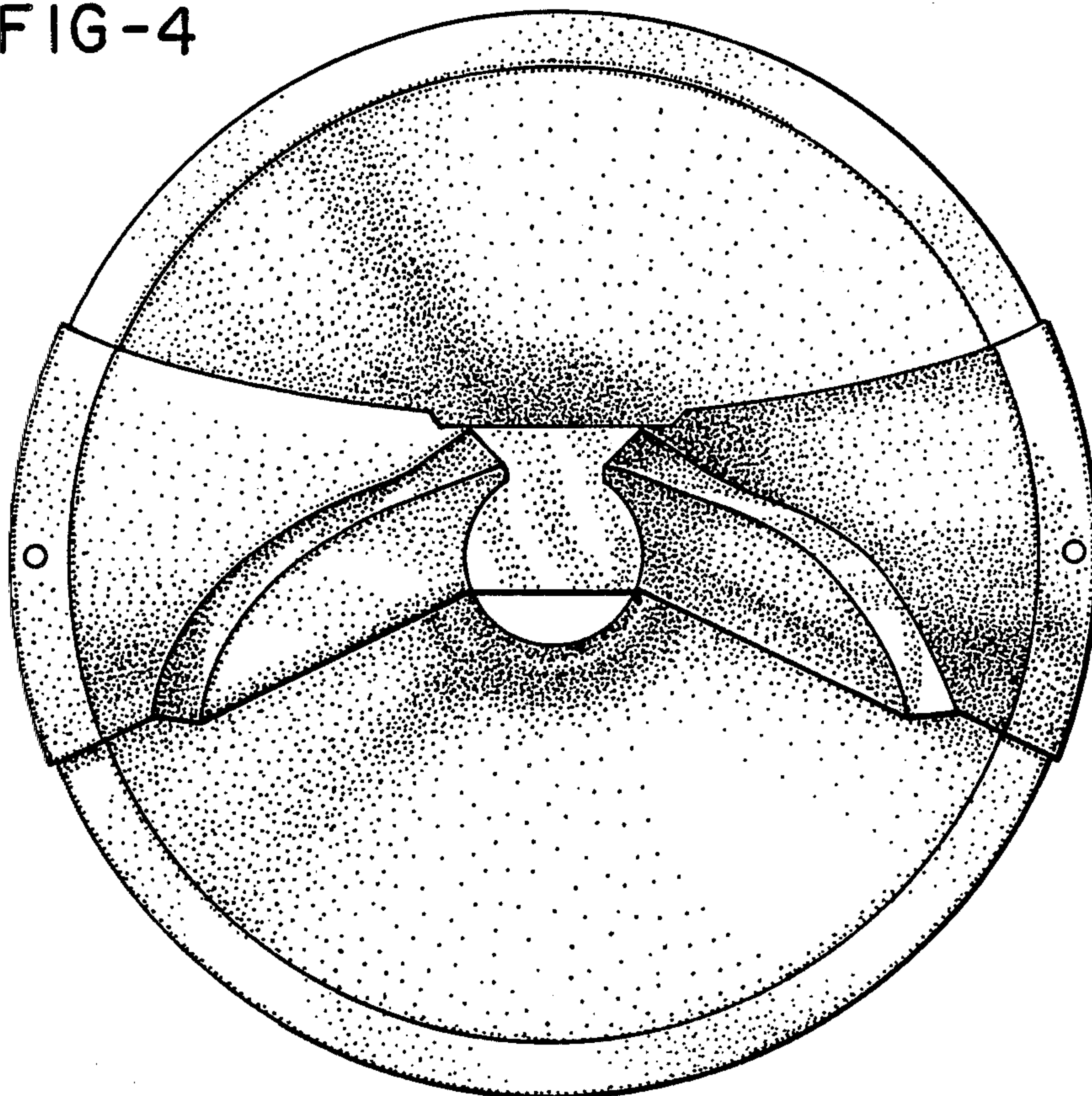


FIG-5

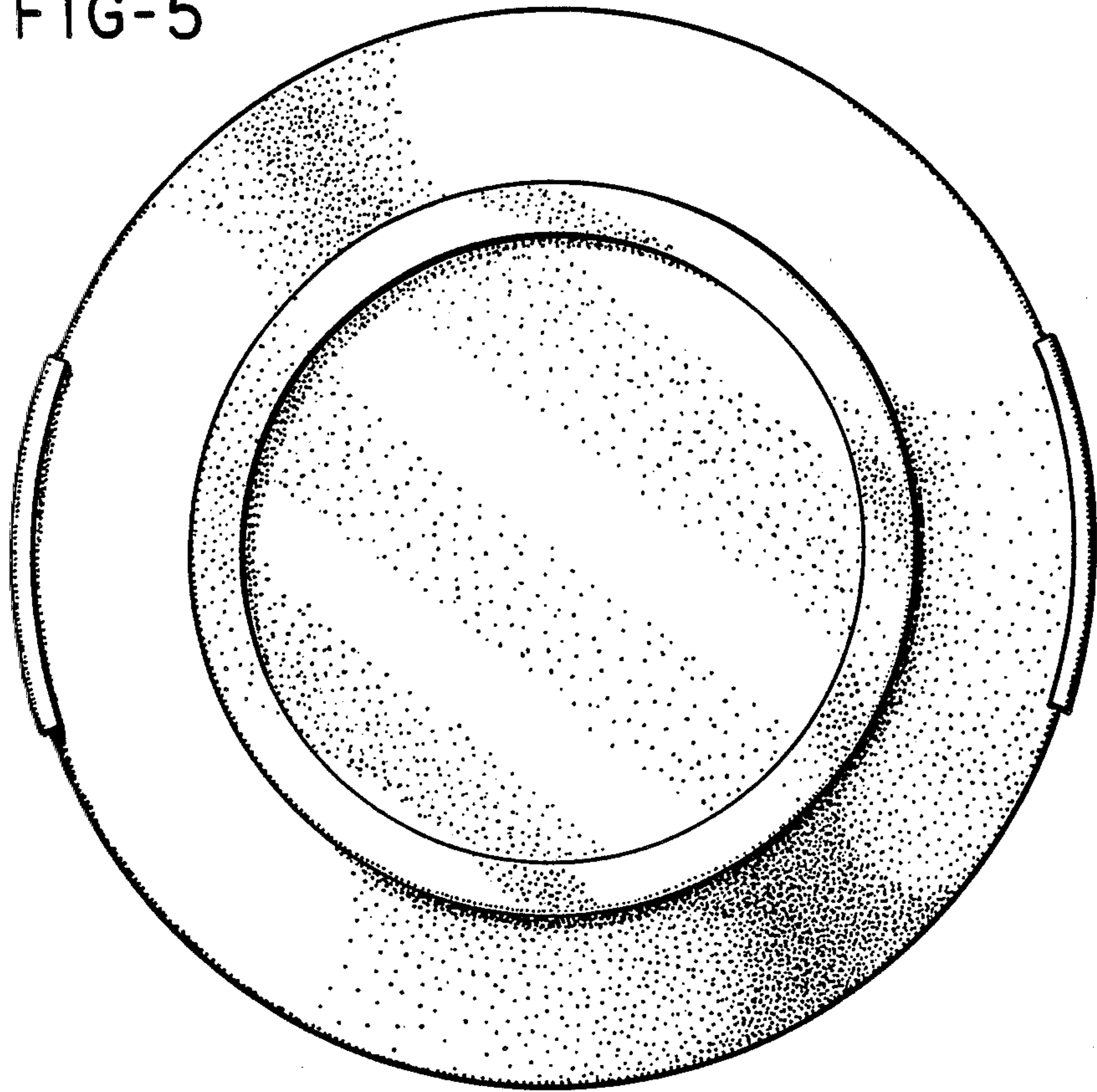


FIG - 6

