

[54] VEHICLE LIFT

[75] Inventor: Yusuke Kawana, Otowa, Japan

[73] Assignee: Sugiyasu Industries Co., Ltd., Aichi, Japan

[\*\*] Term: 14 Years

[21] Appl. No.: 152,081

[22] Filed: Feb. 3, 1988

[30] Foreign Application Priority Data

Dec. 3, 1987 [JP] Japan ..... 62-49644

[52] U.S. Cl. .... D34/31

[58] Field of Search ..... D34/28, 31; 254/9 C, 254/9 B, 122, 2 B, 90; 187/18, 8.43; 248/588, 421

[56] References Cited

U.S. PATENT DOCUMENTS

3,110,476 11/1963 Farris ..... 254/122  
4,180,252 12/1979 Cushenbery ..... 254/9 B

4,558,648 12/1985 Franklin et al. .... 248/588  
4,577,821 3/1986 Edmo et al. .... 187/18  
4,724,930 2/1988 Van Lierop ..... 187/8.43

Primary Examiner—James M. Gandy  
Assistant Examiner—Kay H. Chin  
Attorney, Agent, or Firm—Lahive & Cockfield

[57] CLAIM

The ornamental design for a vehicle lift, as shown and described.

DESCRIPTION

FIG. 1 is a top and left side perspective view of a vehicle lift showing my new design;  
FIG. 2 is a left side elevational view thereof;  
FIG. 3 is a right side elevational view thereof;  
FIG. 4 is a top plan view thereof.  
FIG. 5 is a bottom plan view thereof.  
FIG. 6 is a rear elevational view thereof.  
FIG. 7 is a front elevational view thereof.  
FIG. 8 is a front elevational view thereof, showing the vehicle lift in folded condition.

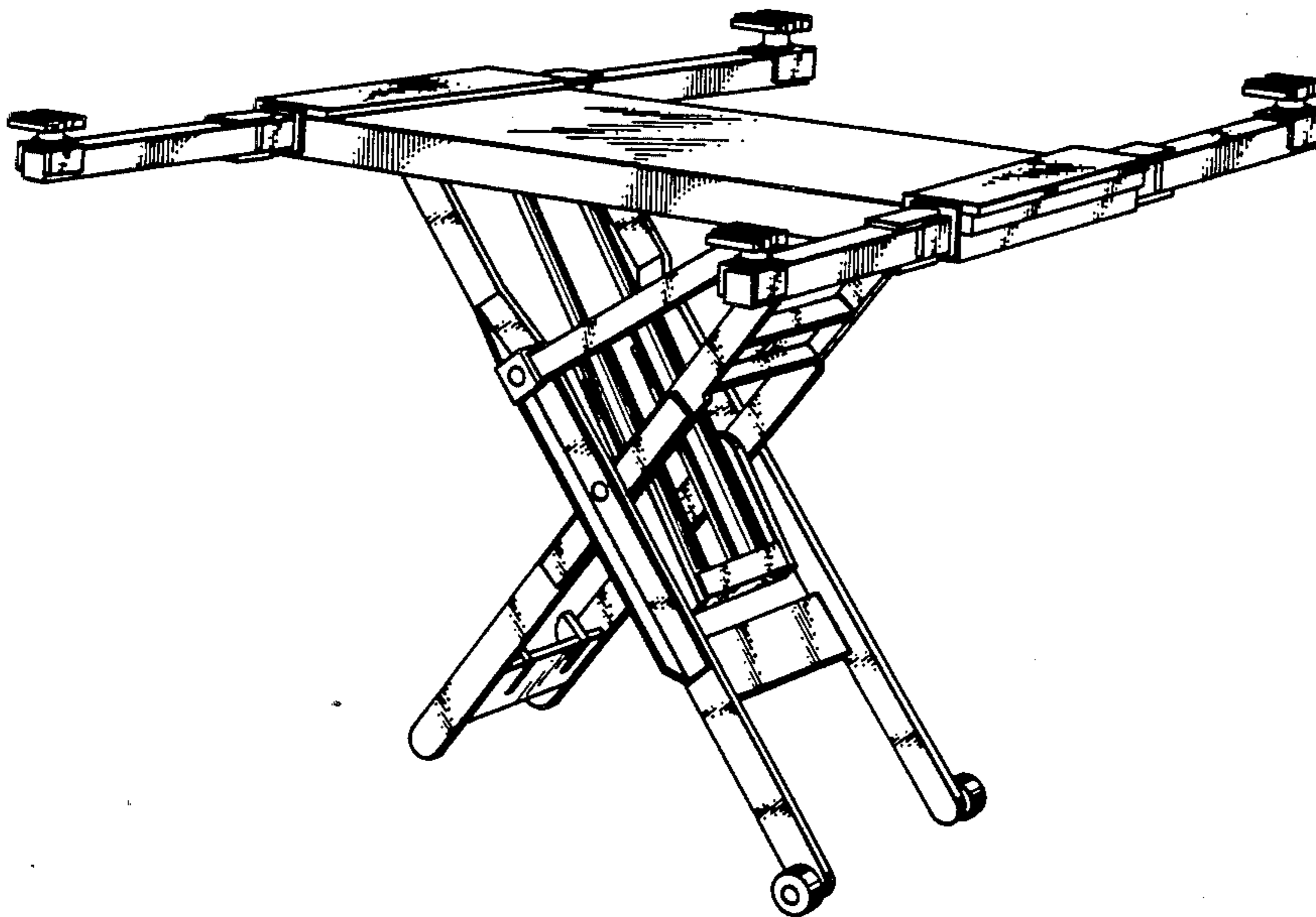


FIG. 1

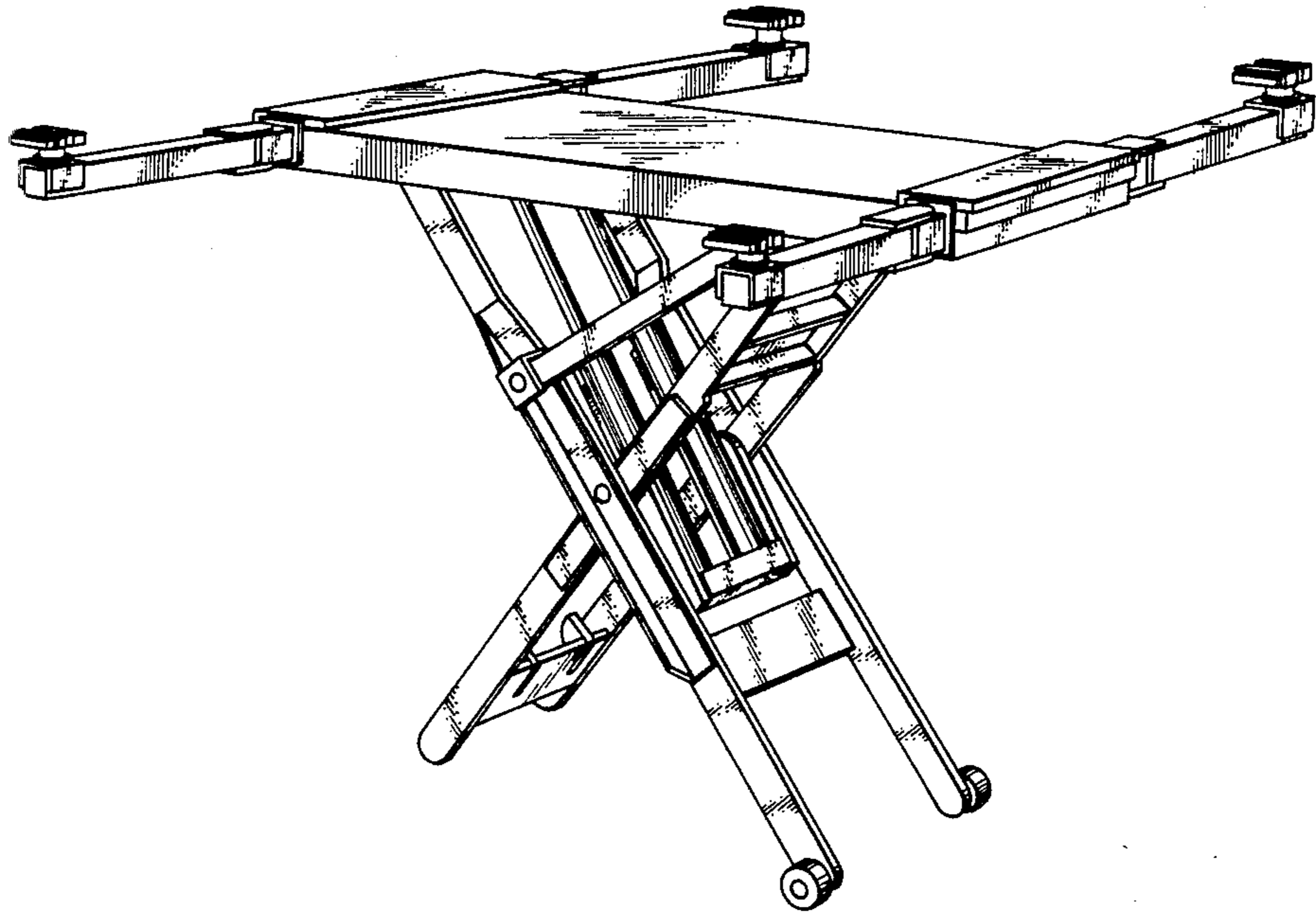


FIG. 2

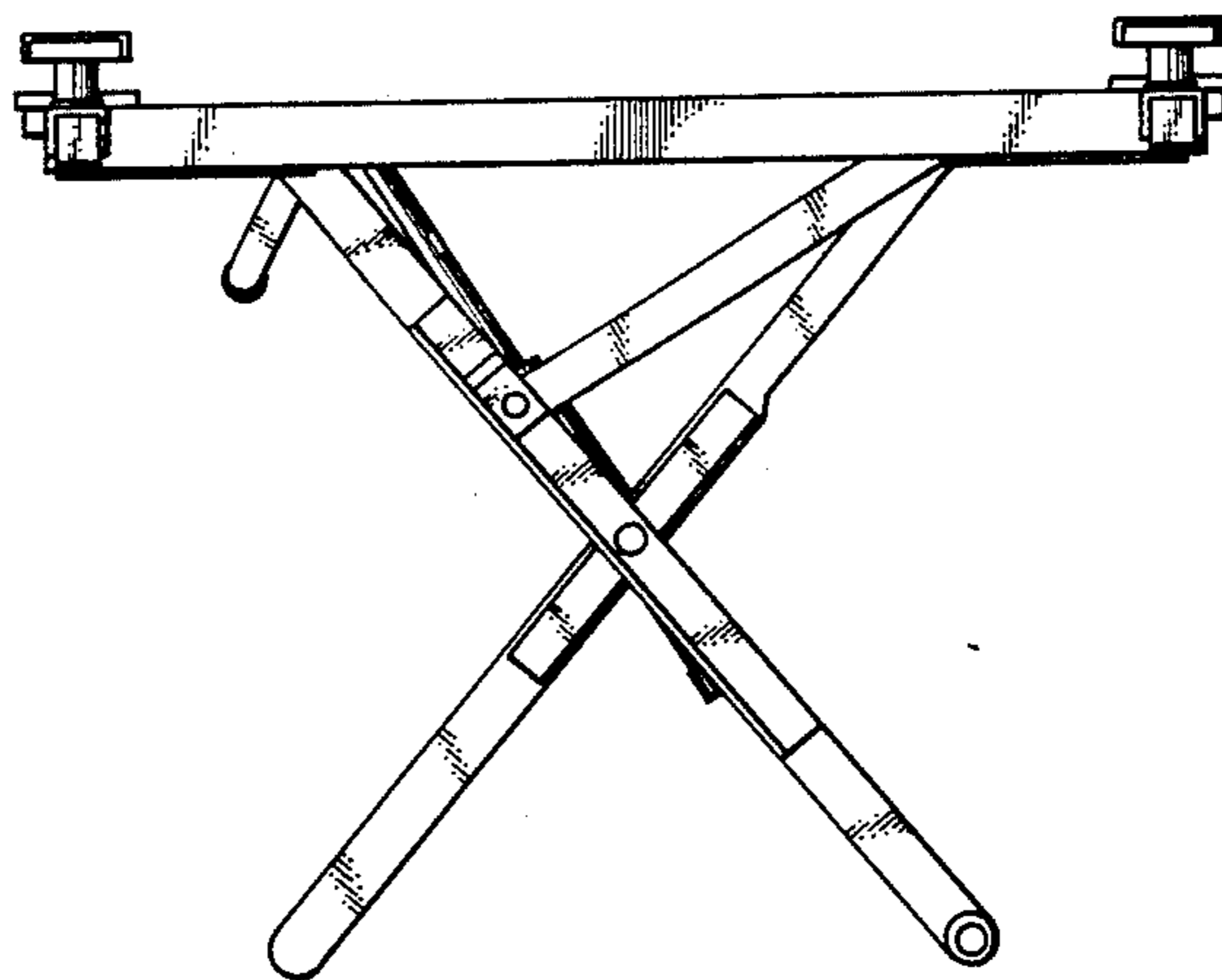


FIG. 3

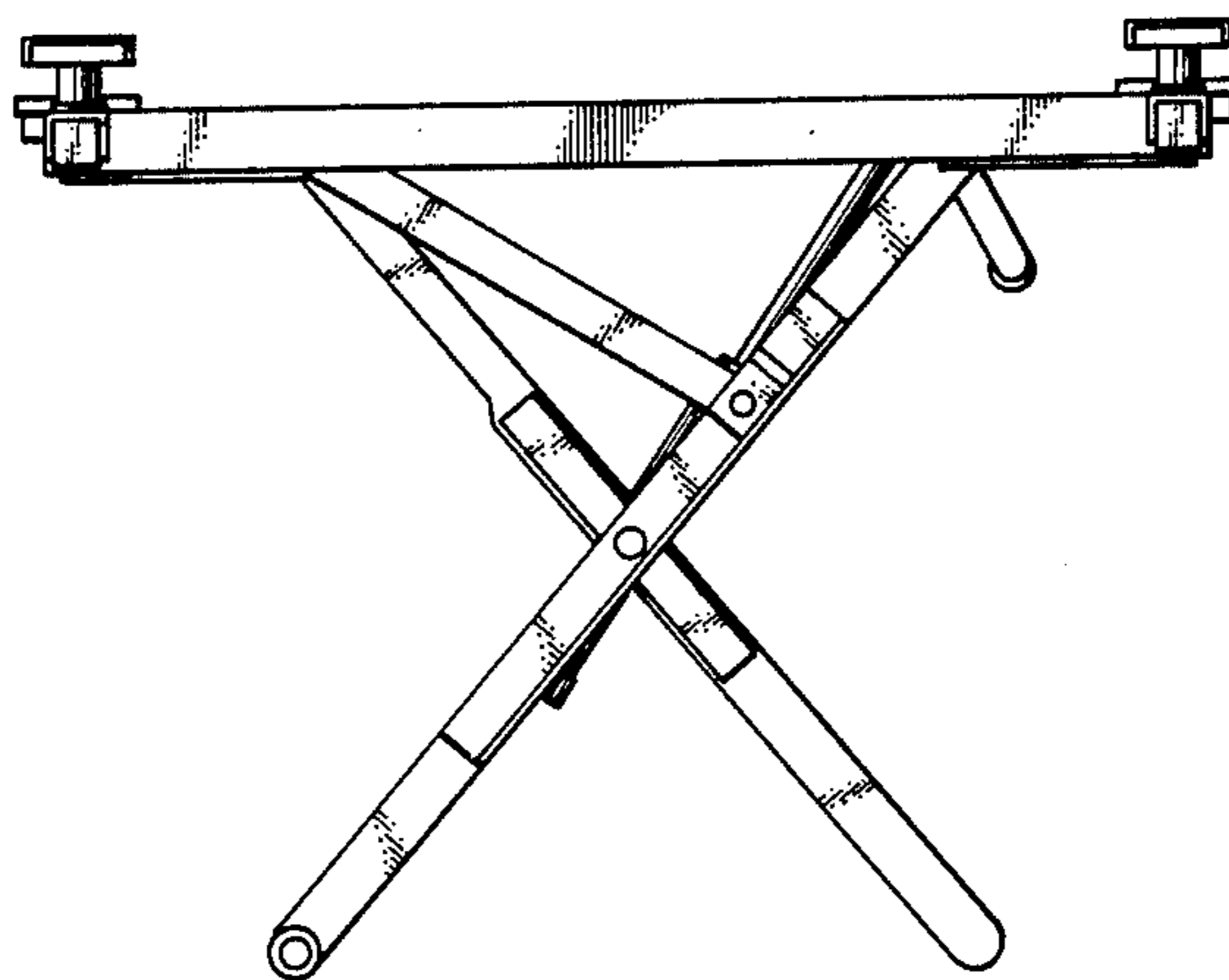


FIG. 4

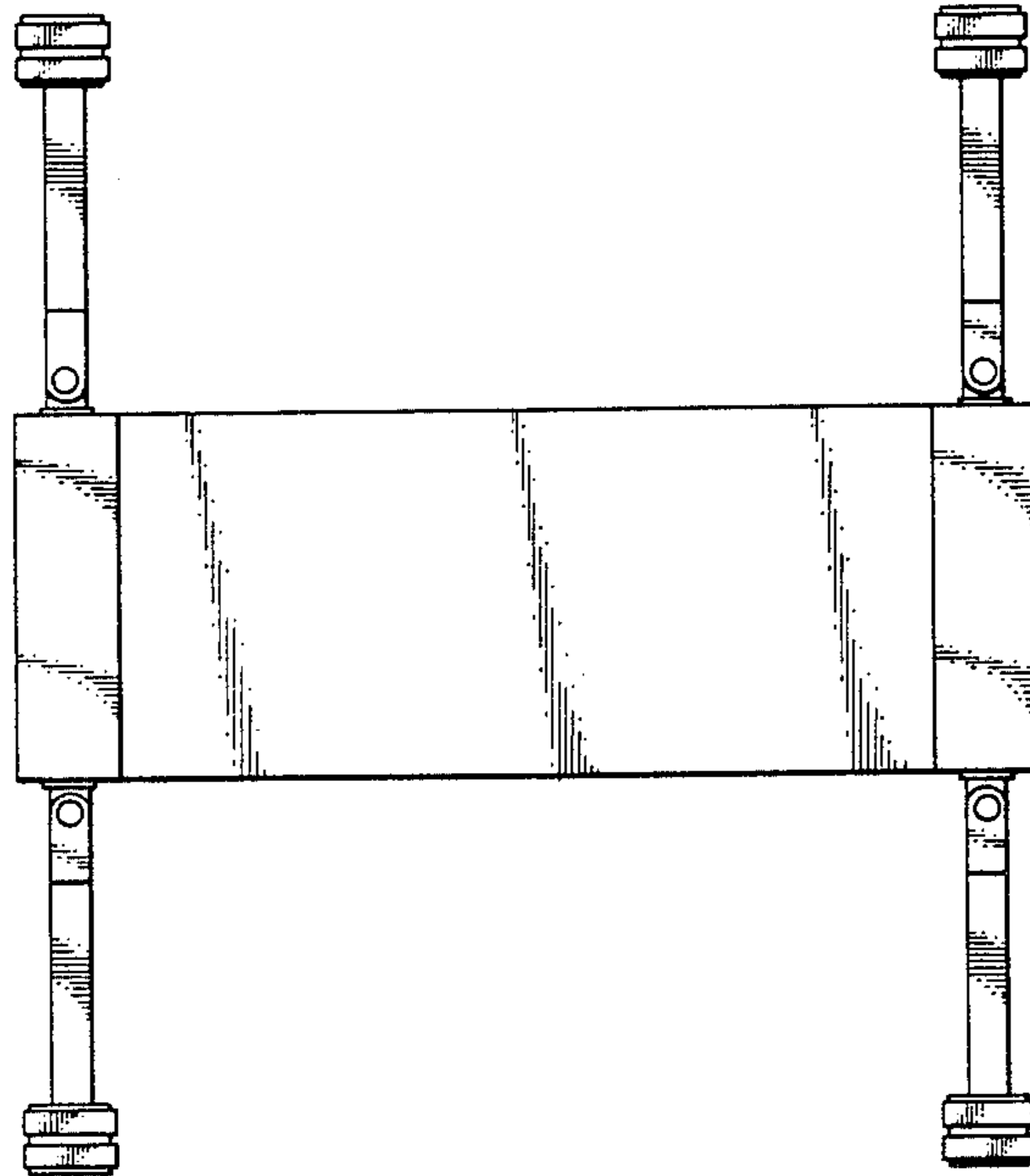


FIG. 5

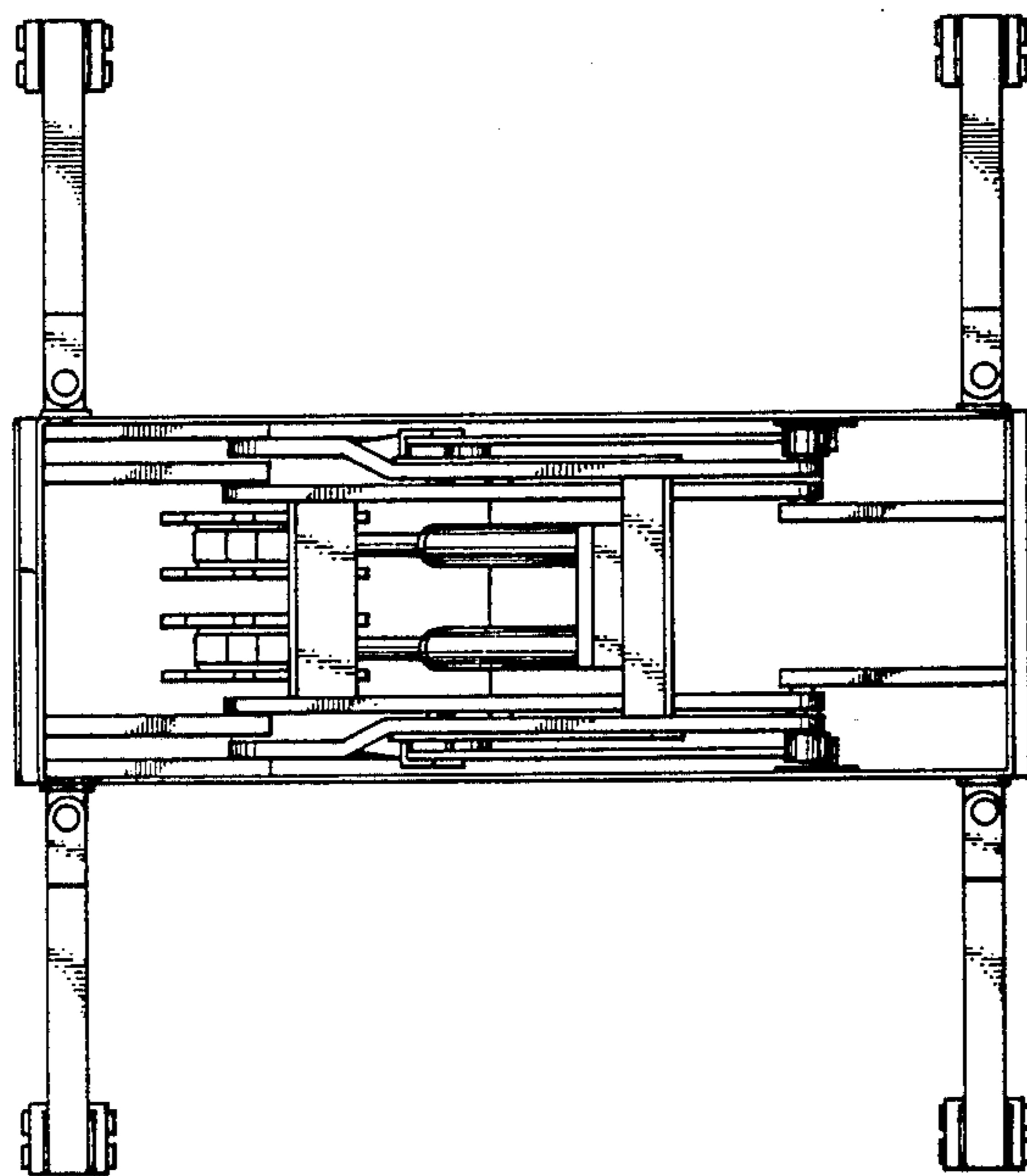


FIG. 6

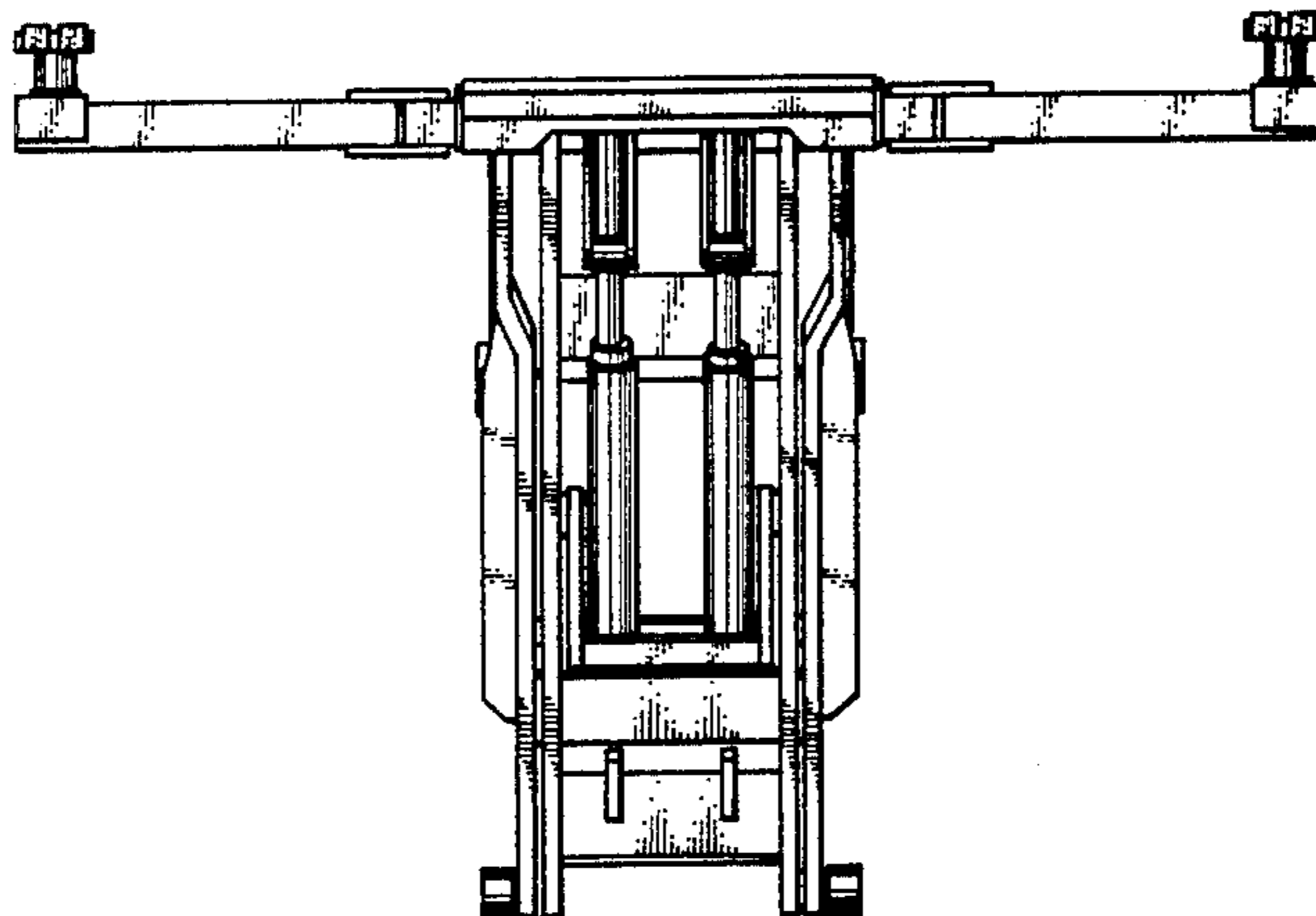


FIG. 7

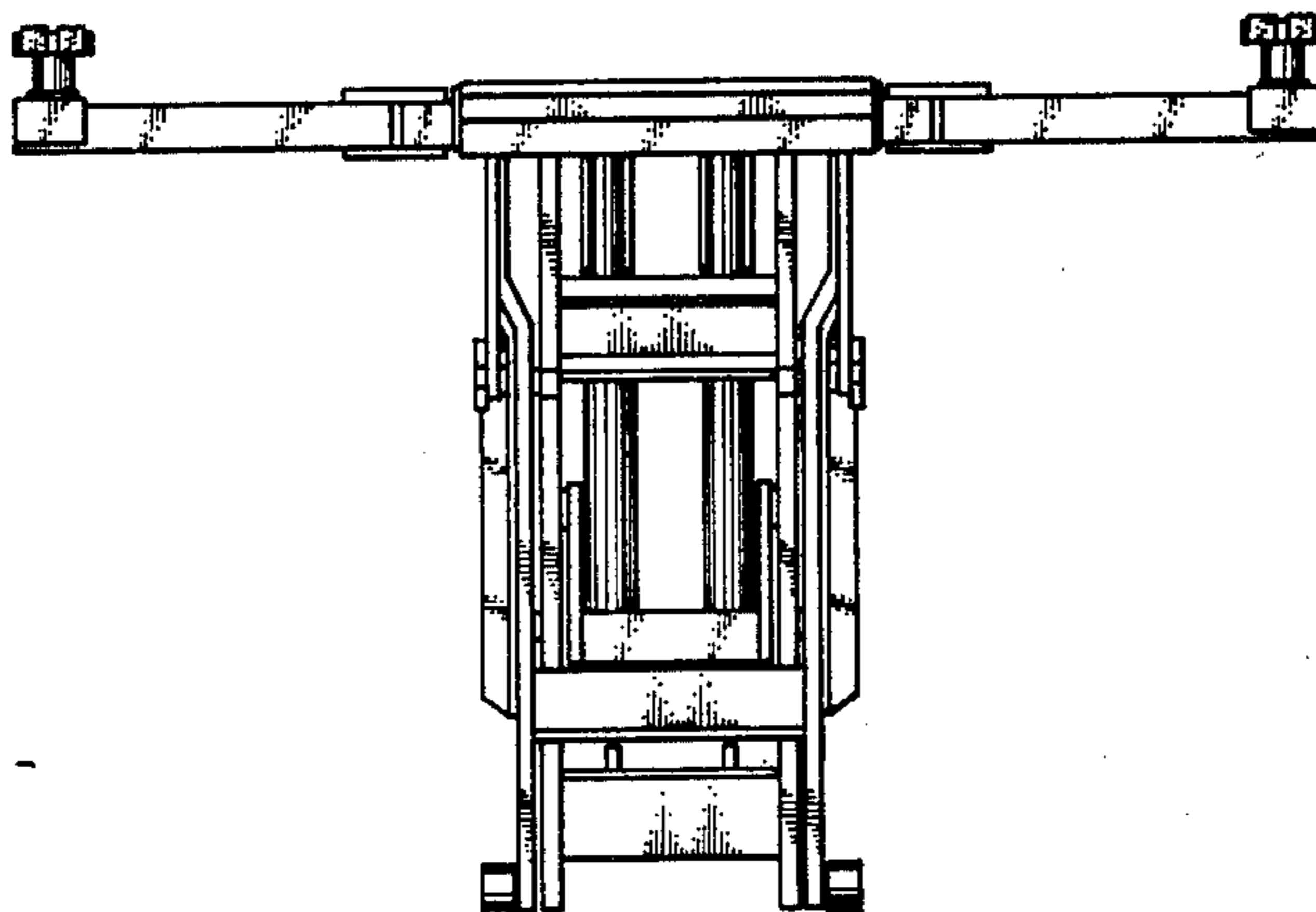


FIG. 8

