

[54] AUGER HOUSING

4,706,321 11/1987 Kaye 15/104.33

[76] Inventor: Nicholas W. Moss, 1905 Country Club Dr., Cherry Hill, N.J. 08003

Primary Examiner—Bruce W. Dunkins
Assistant Examiner—Ruth Takemoto

[**] Term: 14 Years

[57] CLAIM

[21] Appl. No.: 938,175

The ornamental design for an auger housing, as shown and described.

[22] Filed: Dec. 4, 1986

DESCRIPTION

[52] U.S. Cl. D32/14

[58] Field of Search D32/1, 14, 25, 30-31;
15/104.31, 104.32, 104.33

FIG. 1 is a perspective view of an auger housing showing my new design;

FIG. 2 is a side elevational view thereof;

FIG. 3 is a front elevational view thereof;

FIG. 4 is a rear elevational view thereof;

FIG. 5 is a perspective view of a second embodiment thereof;

FIG. 6 is a side elevational view thereof;

FIG. 7 is a front elevational view thereof; and

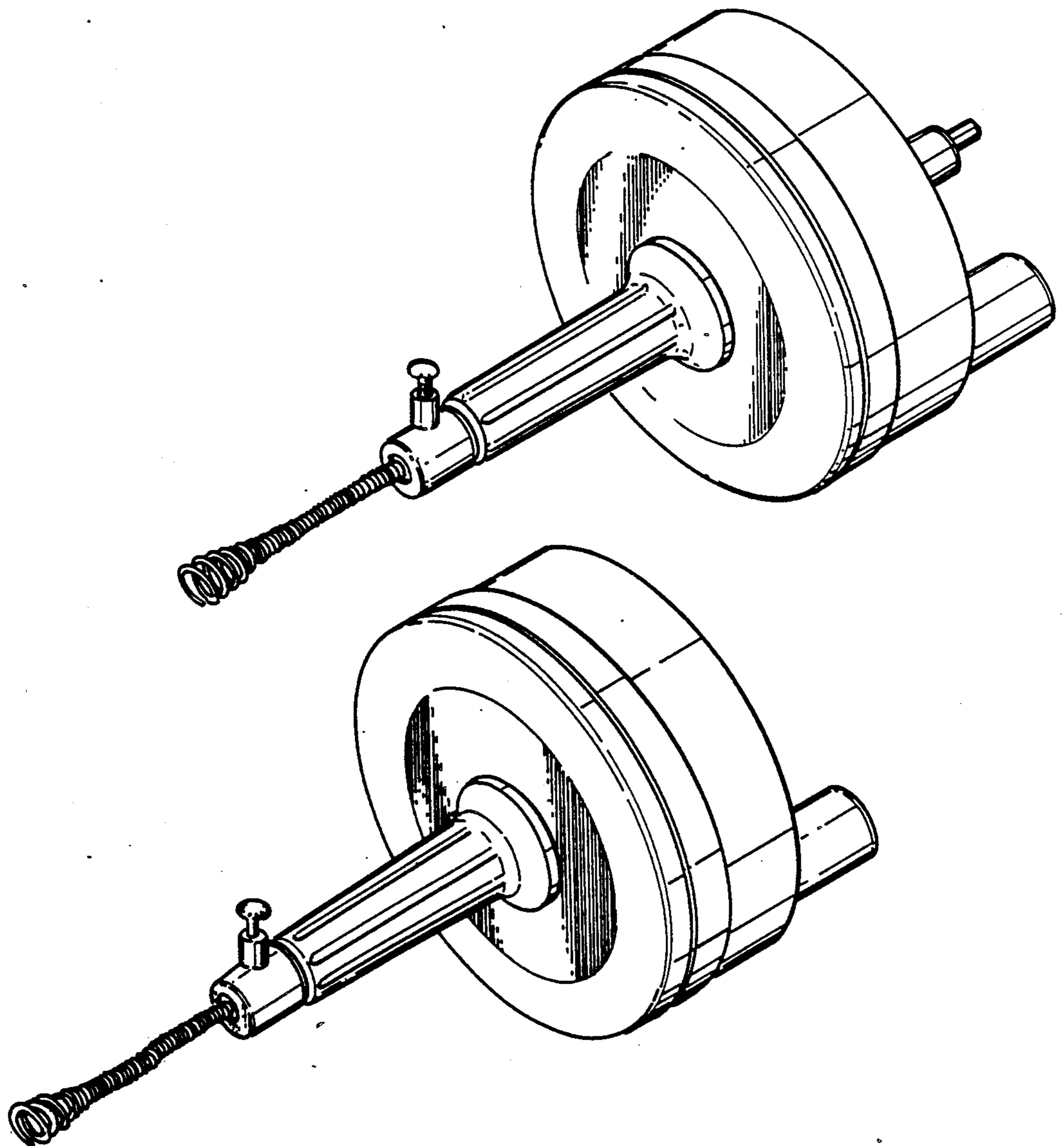
FIG. 8 is a rear elevational view thereof.

[56]

References Cited

U.S. PATENT DOCUMENTS

D. 189,445	12/1960	Levine	D32/14
D. 281,918	12/1985	Levine	D32/14
4,317,247	3/1982	Levine	15/104.33
4,340,988	7/1982	Shames et al.	15/104.33



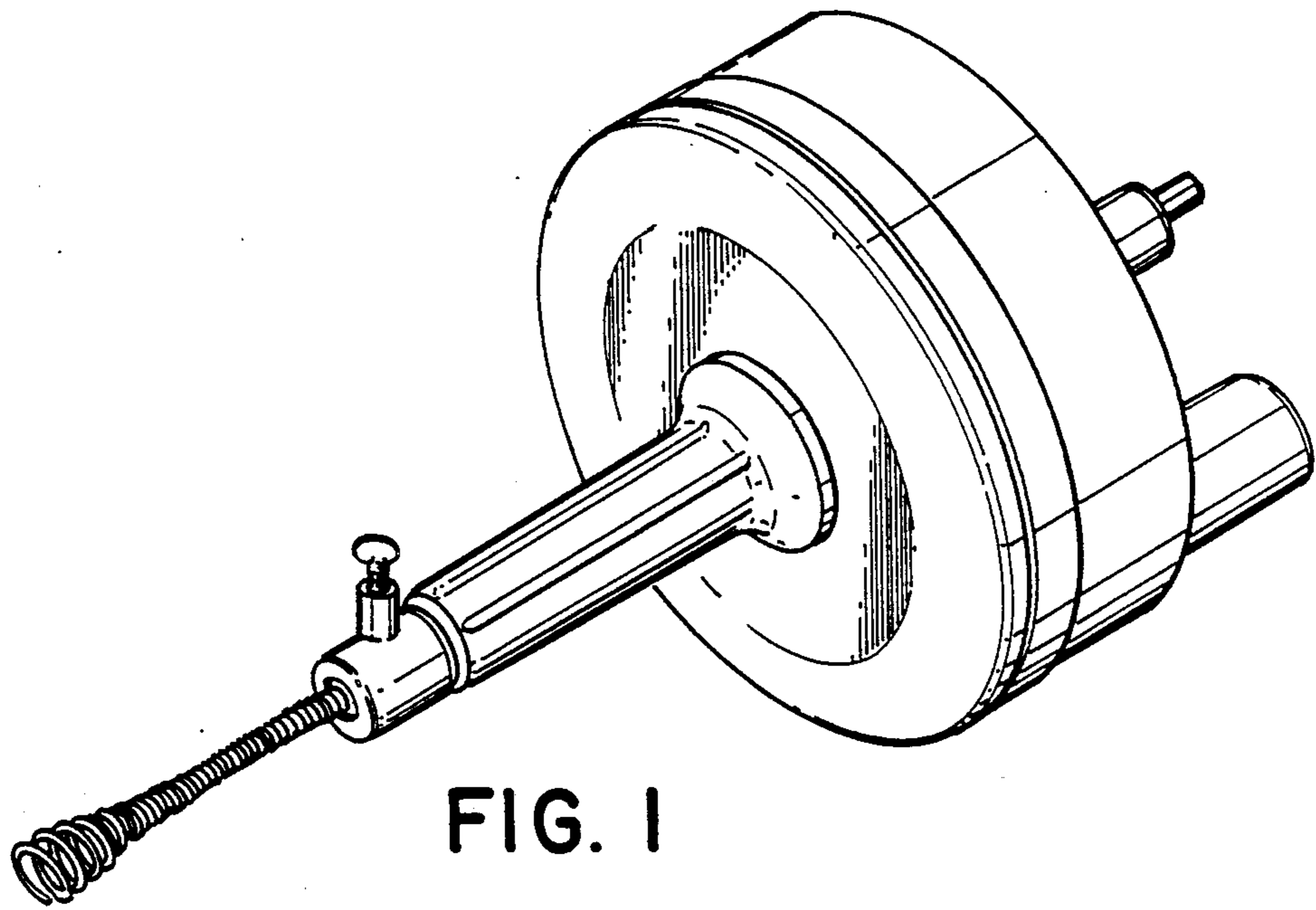


FIG. 1

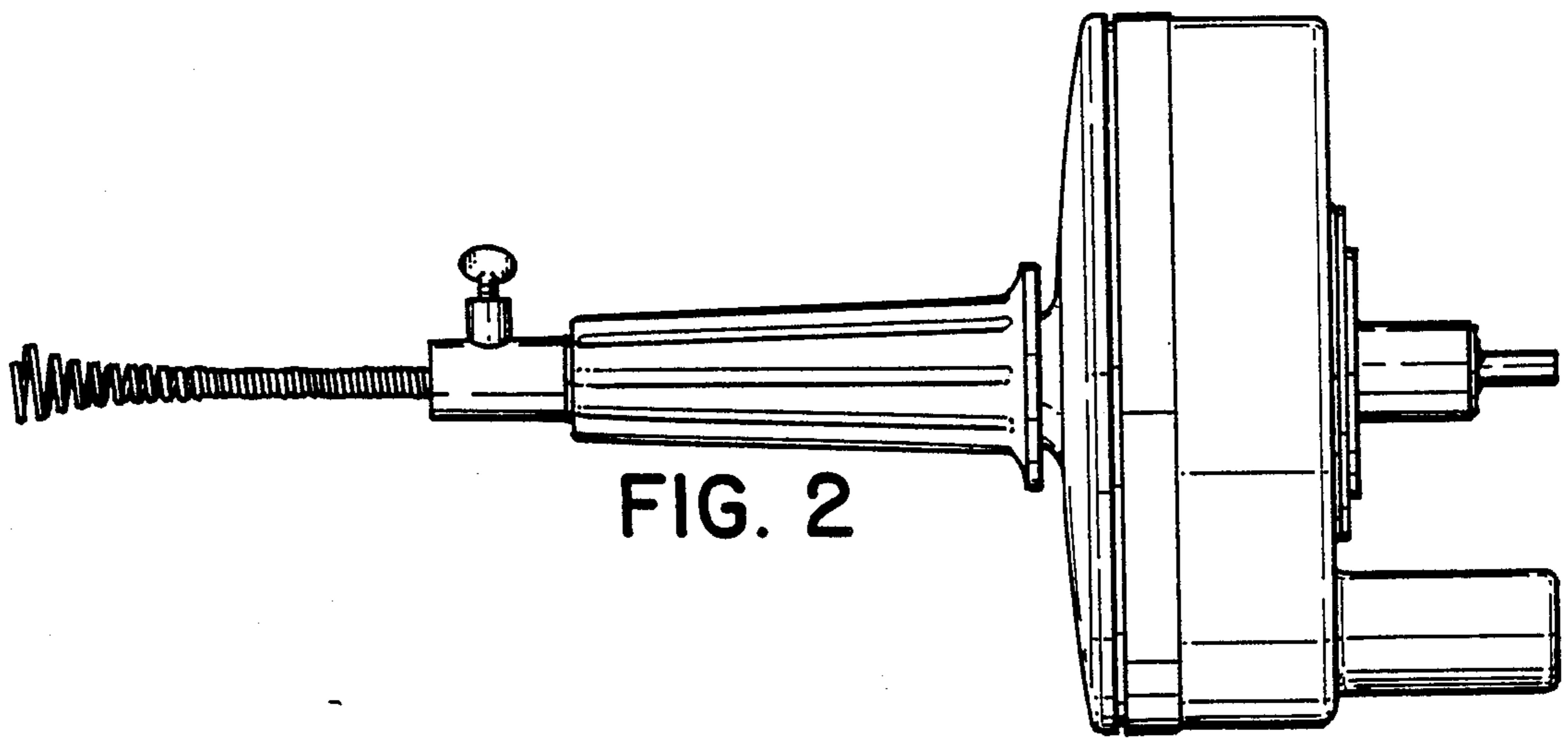


FIG. 2

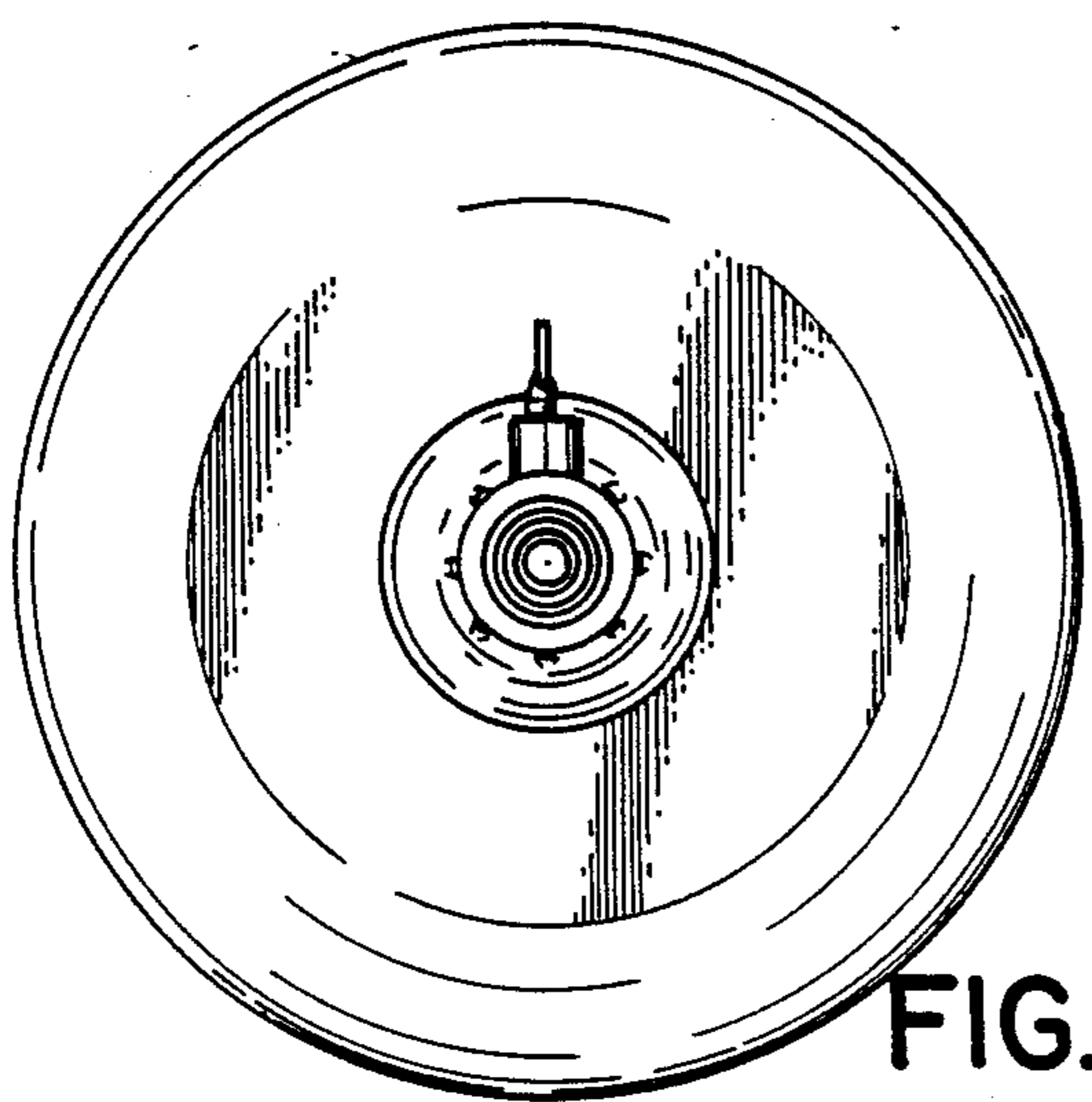


FIG. 3

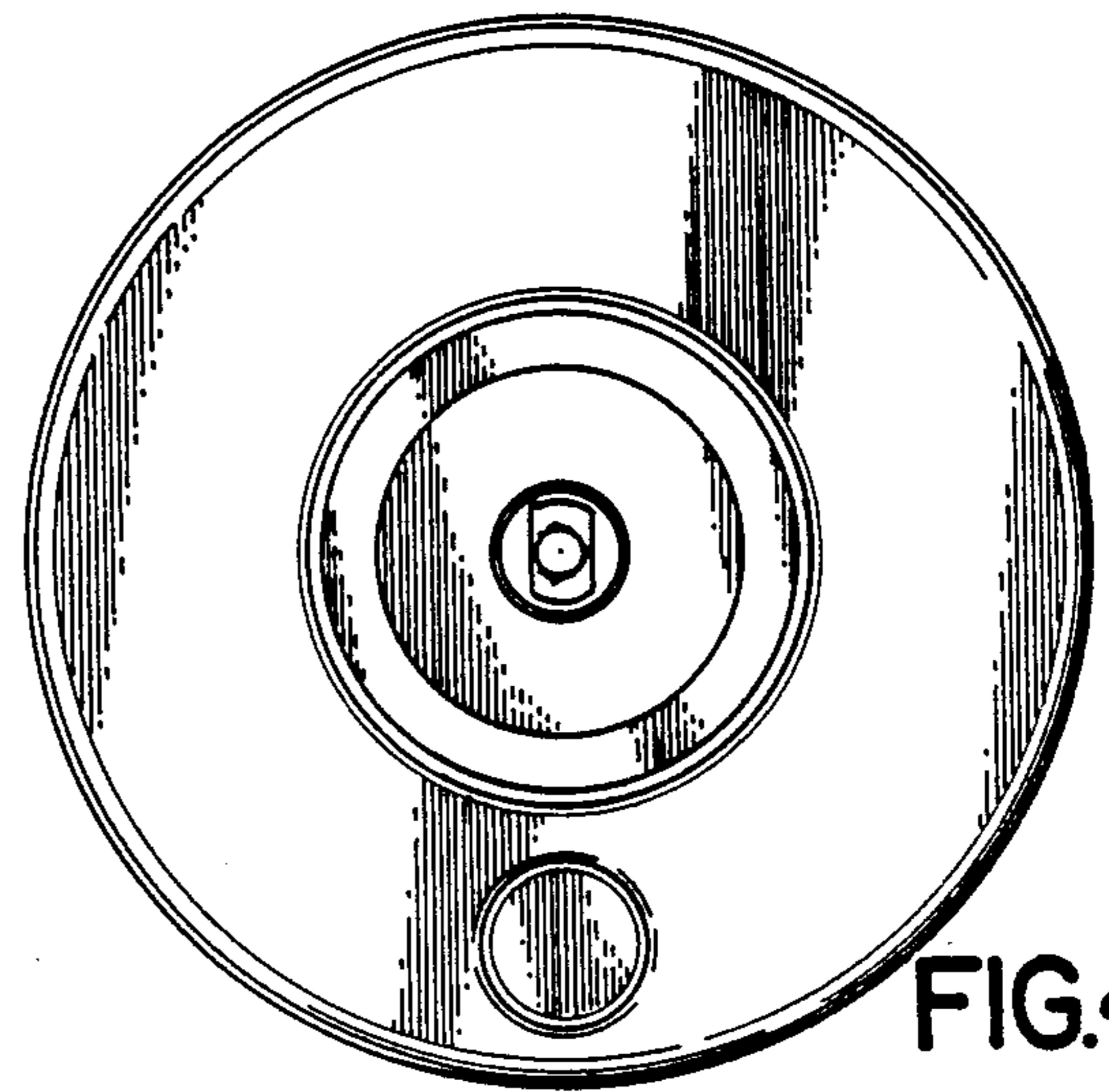


FIG. 4

