

[54] **FIRE EXTINGUISHER MOUNTING BRACKET**
[75] **Inventor: Fred B. Goodnight, Leeds, Ala.**
[73] **Assignee: Amerex Corporation, Trussville, Ala.**
[**] **Term: 14 Years**
[21] **Appl. No.: 60,440**
[22] **Filed: Jun. 11, 1987**
[52] **U.S. Cl. D29/5; D8/395**
[58] **Field of Search D29/1, 2, 5, 3; 169/30, 169/70, 71, 77, 78, 88; D8/373, 374, 395; 248/311.1, 311.2, 310, 313, 99**

3,224,720 12/1965 Hain D29/3
FOREIGN PATENT DOCUMENTS
1151627 8/1983 Canada 169/30

Primary Examiner—Wallace R. Burke
Assistant Examiner—Kay H. Chin
Attorney, Agent, or Firm—Jennings, Carter, Thompson & Veal

[57] **CLAIM**
The ornamental design for a fire extinguisher mounting bracket, as shown and described.

DESCRIPTION

FIG. 1 is a perspective view of a fire extinguisher mounting bracket showing my new design; FIG. 2 is a front elevational view thereof; FIG. 3 is a rear elevational view thereof; FIG. 4 is a top plan view thereof; FIG. 5 is a bottom plan view thereof; FIG. 6 is a left side elevational view thereof; and FIG. 7 is a right side elevational view thereof.

[56] **References Cited**
U.S. PATENT DOCUMENTS
D. 91,641 2/1934 Wittig D29/3
D. 214,153 5/1969 Merser D8/395
D. 245,929 9/1977 Montambo D29/5
D. 250,776 1/1979 Hard D29/5

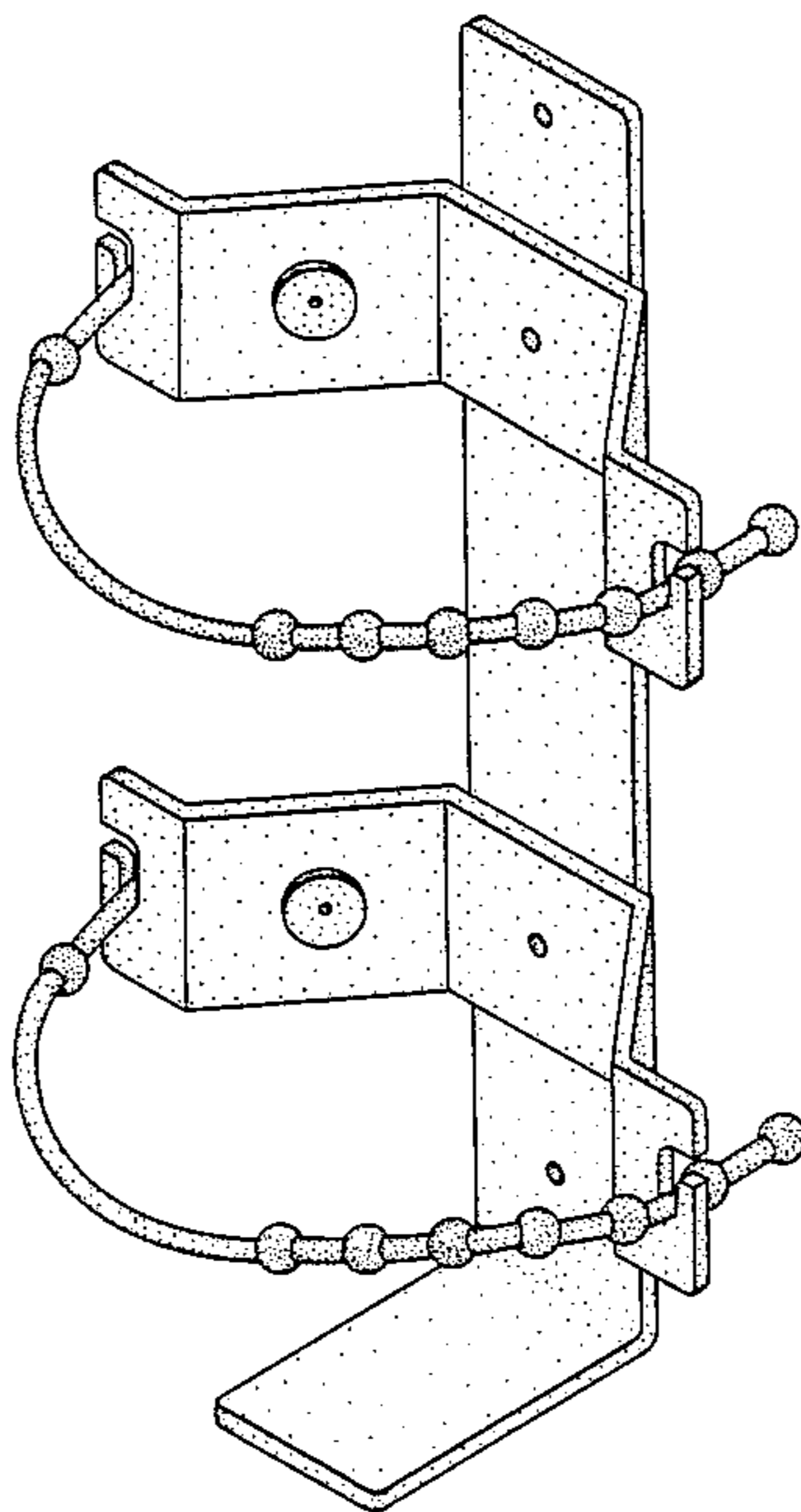
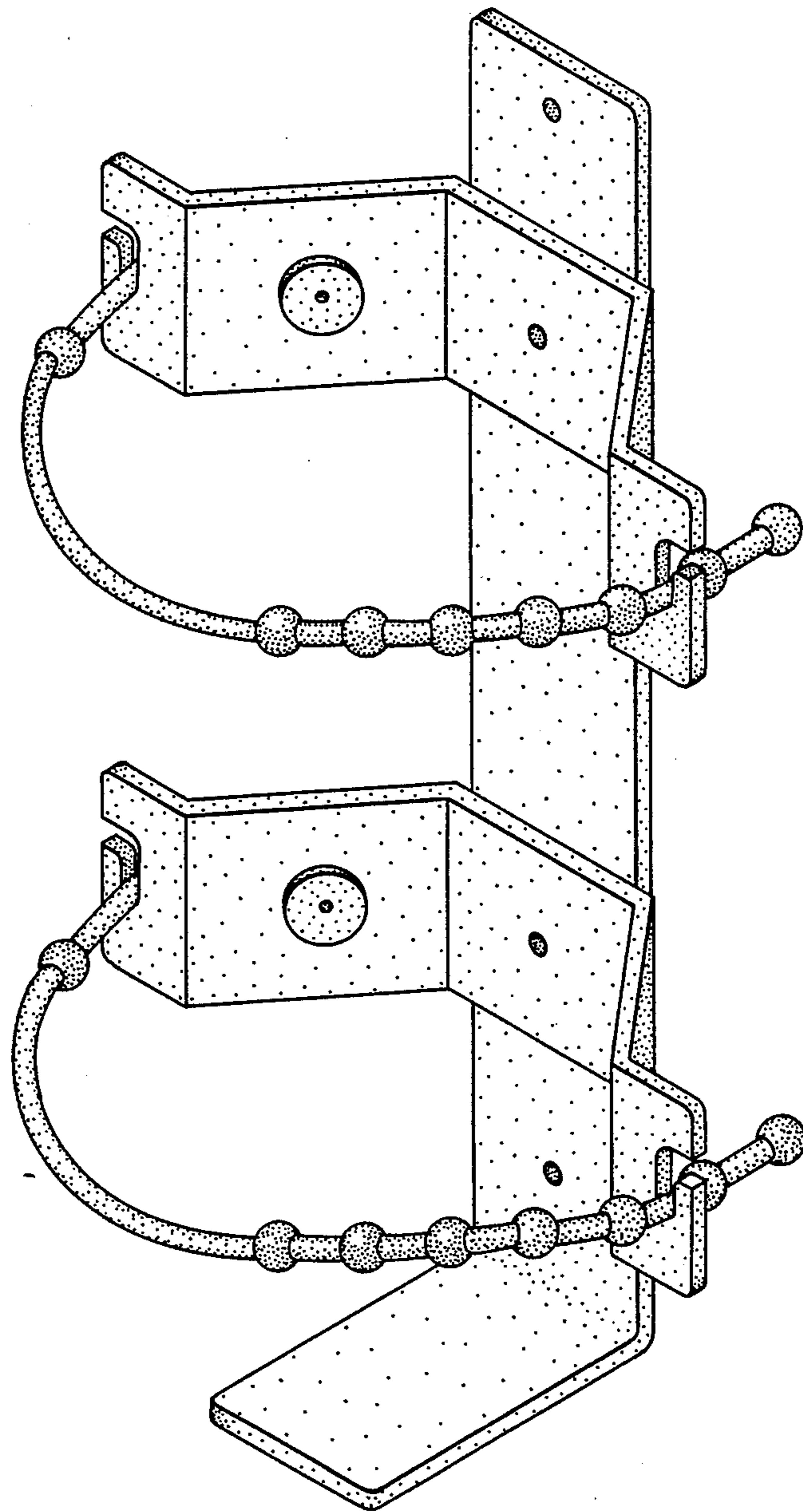


Fig. 1



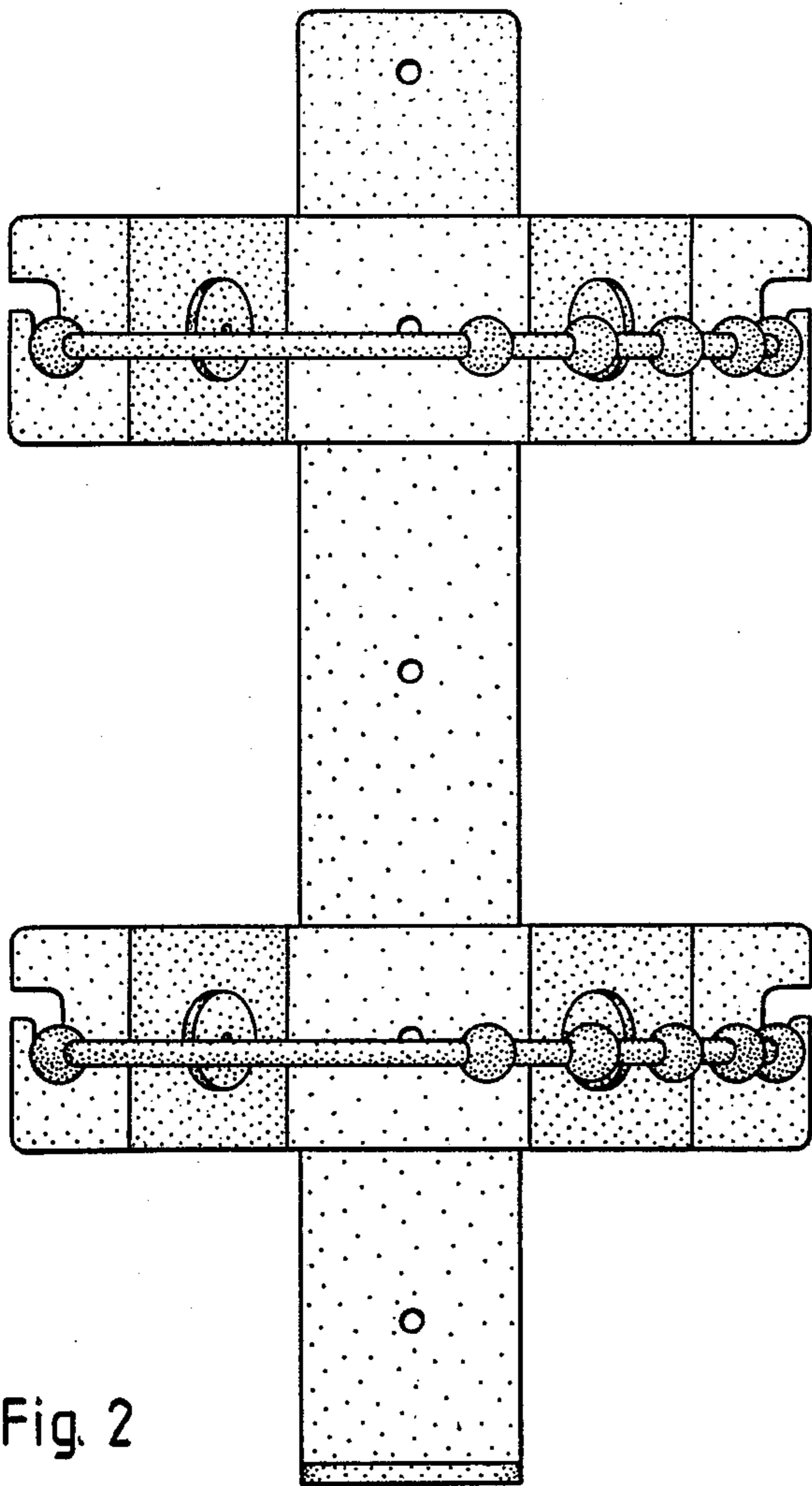


Fig. 2

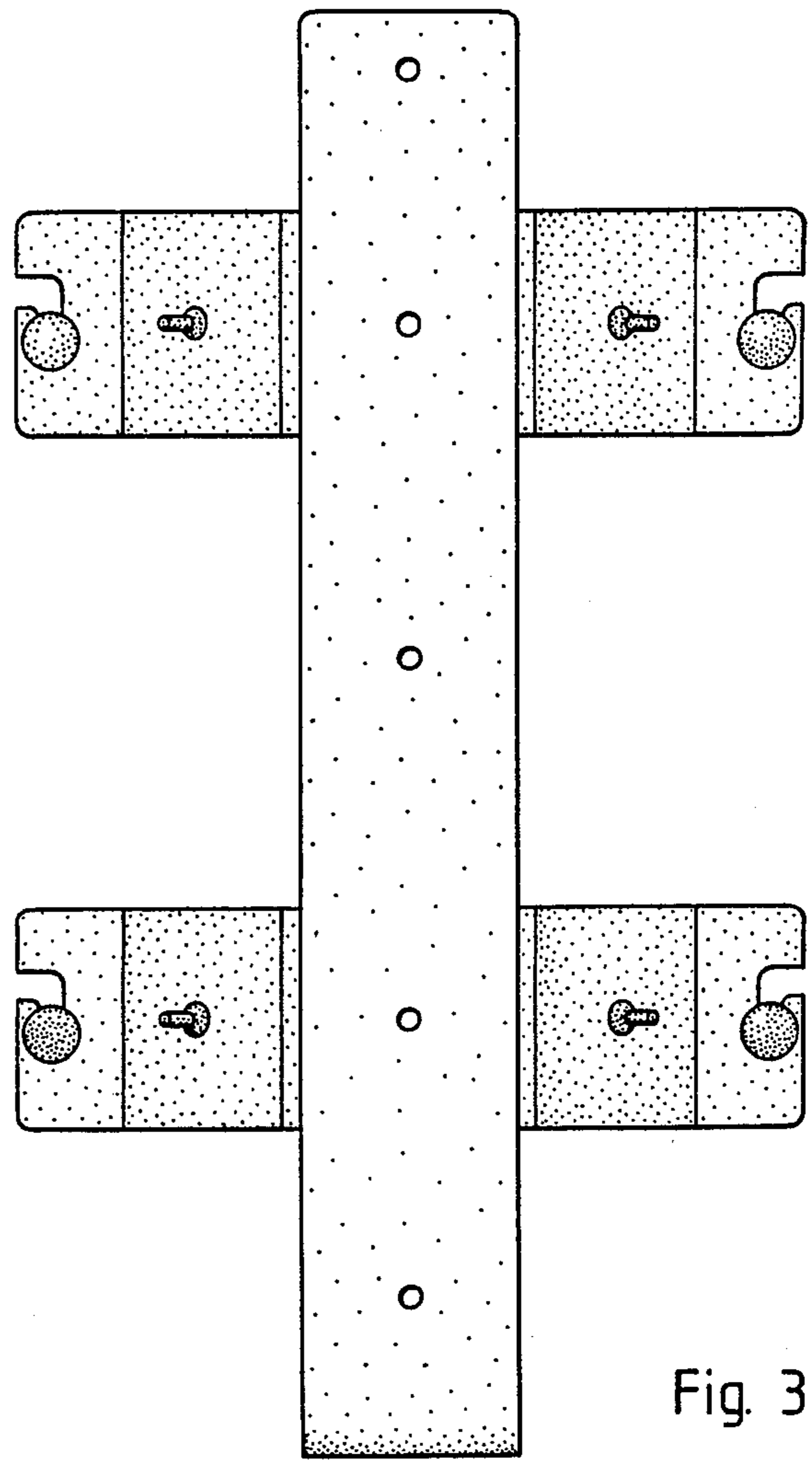


Fig. 3

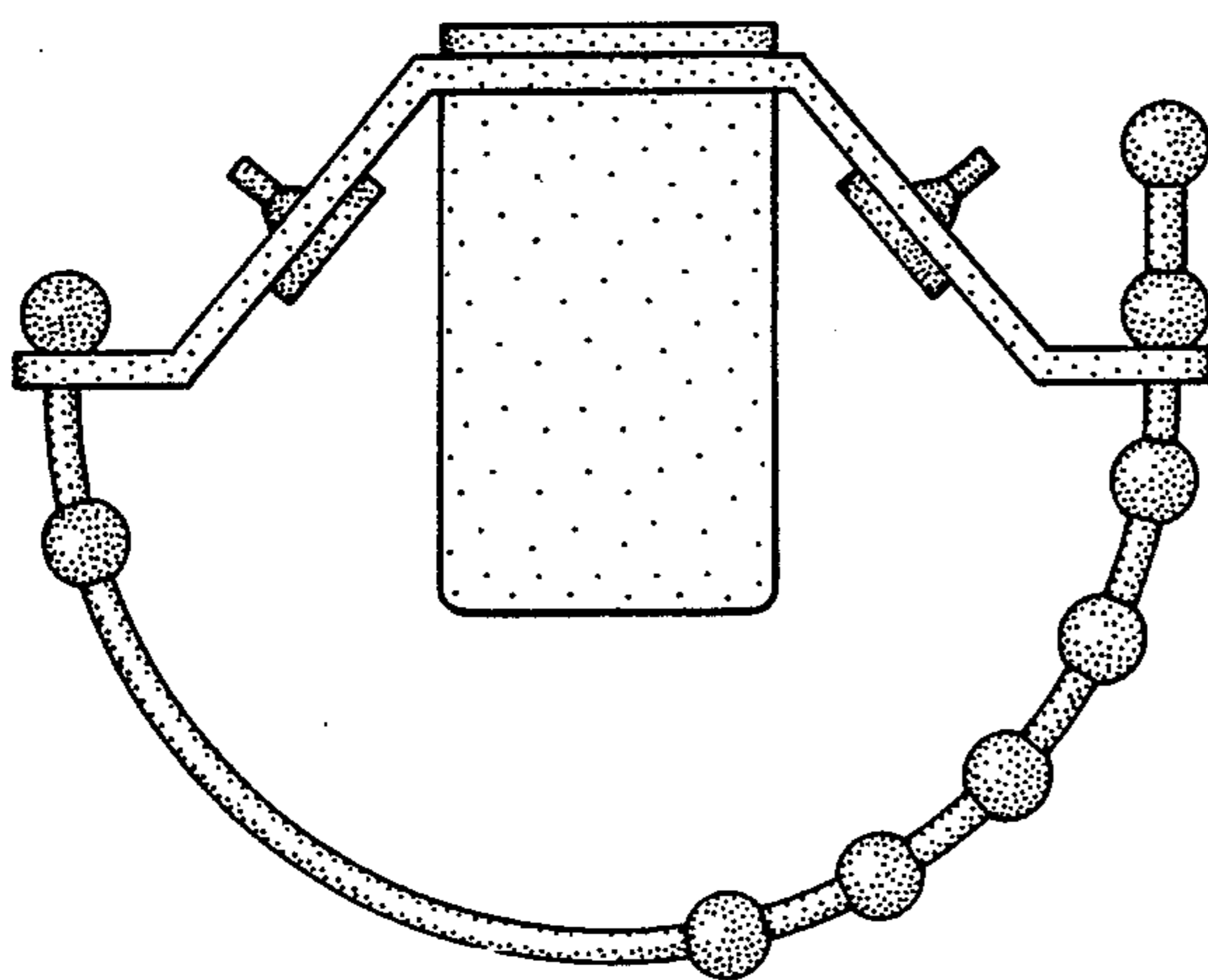


Fig. 4

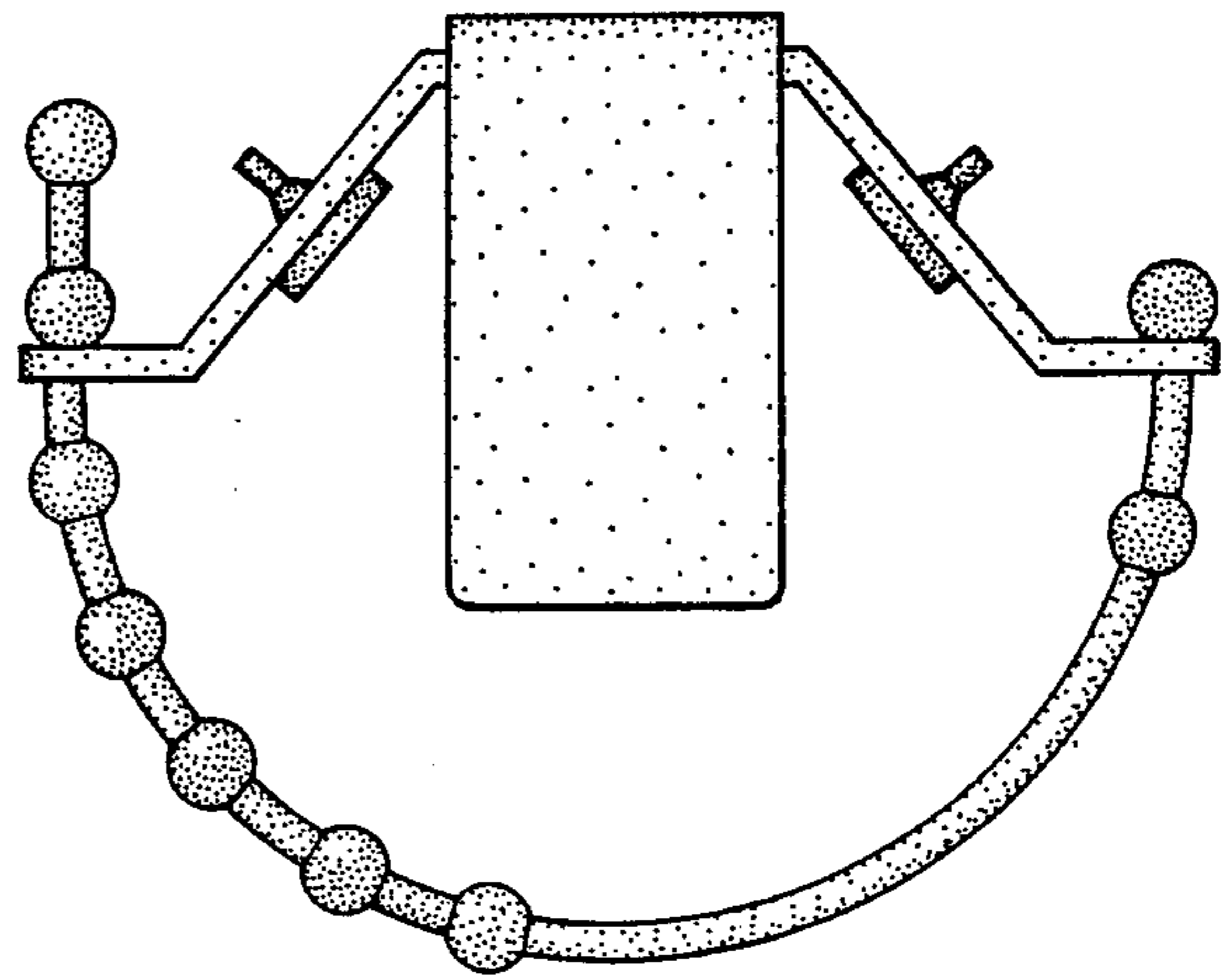


Fig. 5

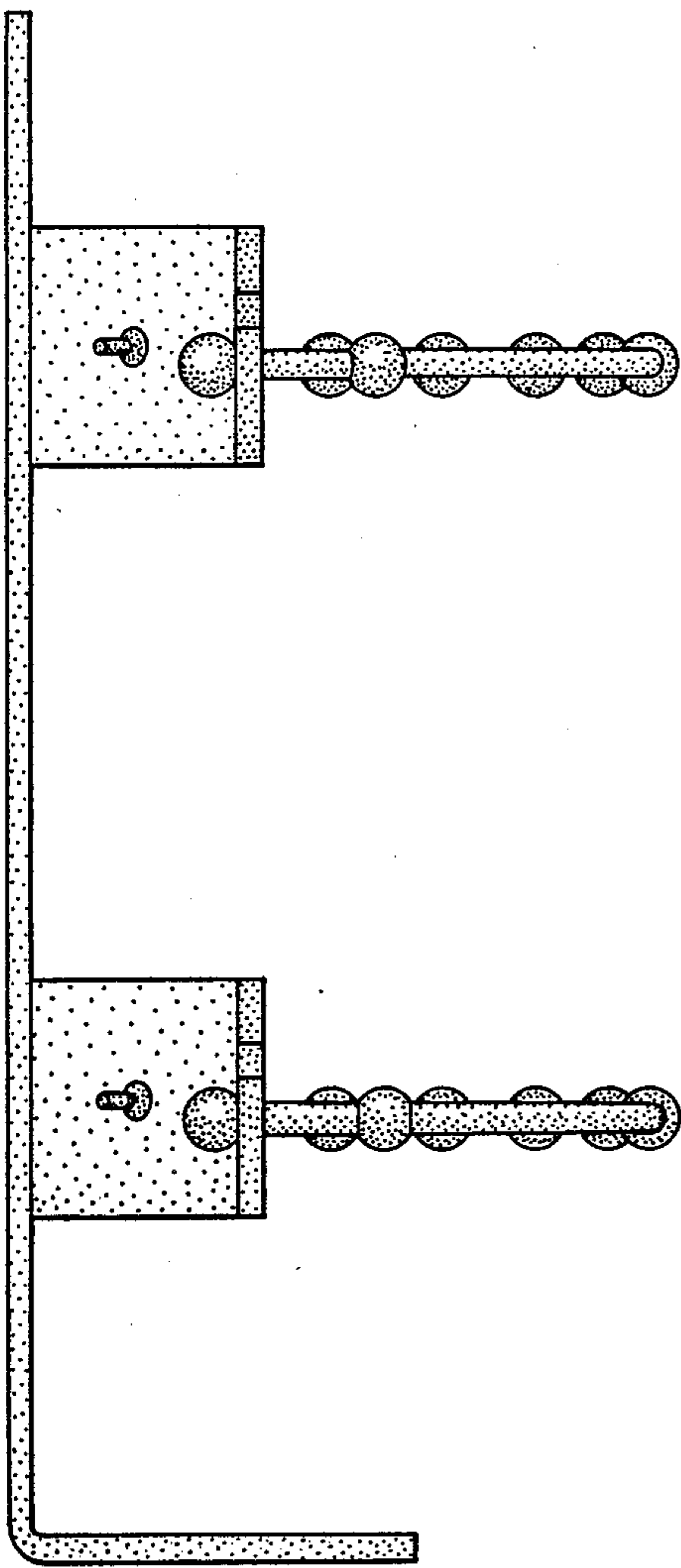


Fig. 6

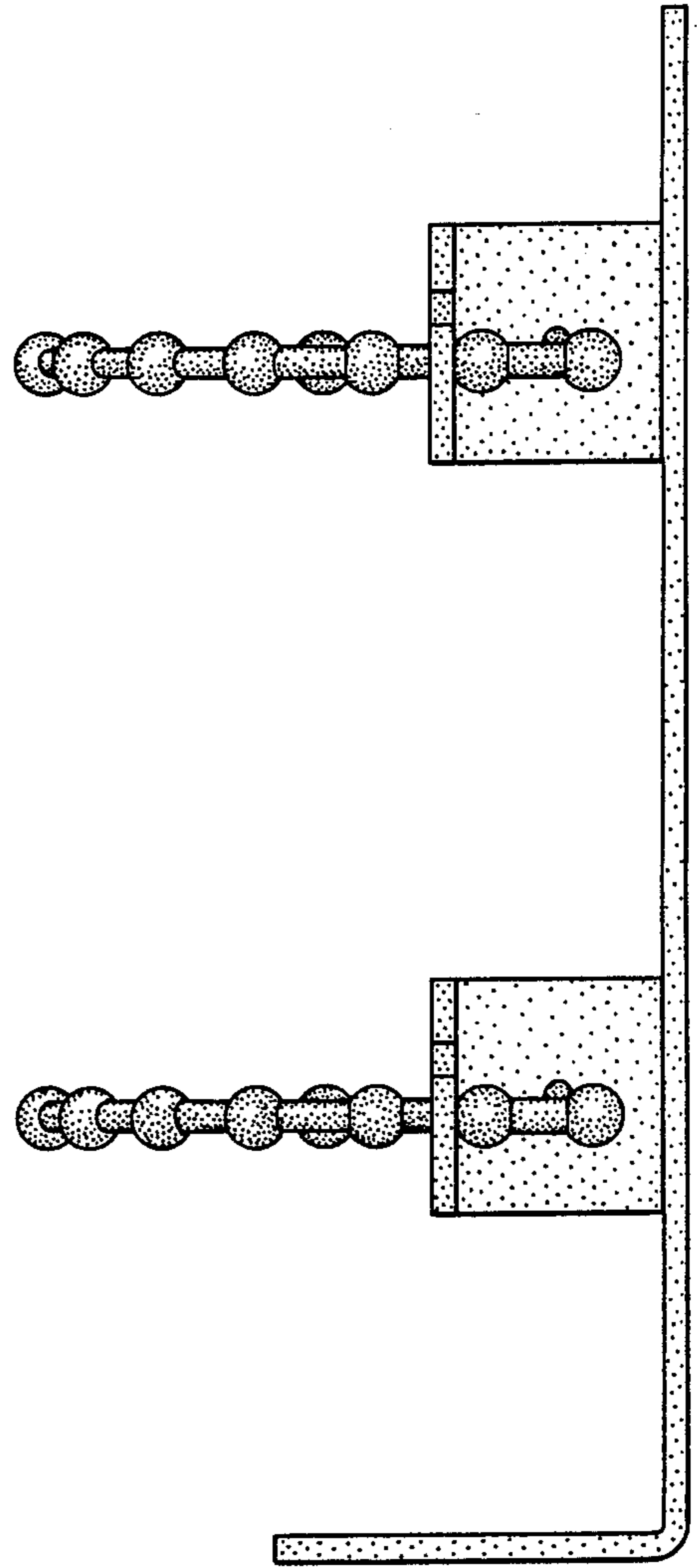


Fig. 7