

[54] SUNTAN LOTION APPLICATOR

[76] Inventors: Alan J. Thieroff, Jr., 530 Winchester Rd., Warminster, Pa. 18974; Larry T. Kaplan, 72 Kingsclere Rd., Southampton, Pa. 18966; Andrew Banchi, 685 Cheryl Dr., Warminster, Pa. 18974

[\*\*] Term: 14 Years

[21] Appl. No.: 355,375

[22] Filed: May 23, 1989

[52] U.S. Cl. .... D28/7

[58] Field of Search ..... D28/7, 64.4, 59, 47, D28/138, 140; 15/230.11; D4/122

[56] References Cited

U.S. PATENT DOCUMENTS

D. 113,690	3/1939	Tresenberg .....	D28/7
D. 252,219	6/1979	Peeples .....	D28/7
D. 257,447	10/1980	Kesler .....	D28/7
2,518,382	8/1950	Ruthsatz .....	15/230

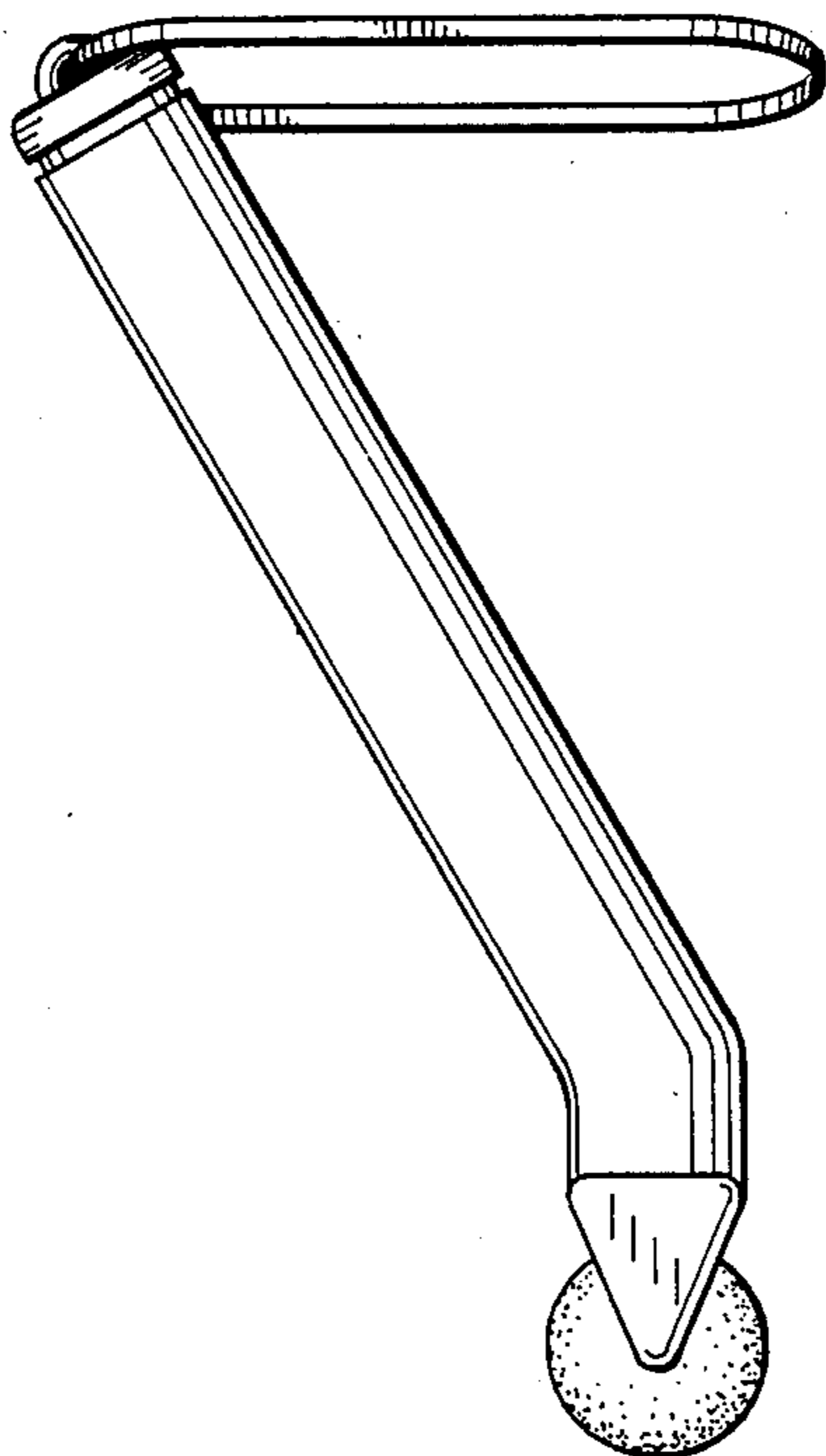
Primary Examiner—Bernard Ansher  
Assistant Examiner—David Jeo  
Attorney, Agent, or Firm—Jerry T. Kearns

[57] CLAIM .

The ornamental design for a suntan lotion applicator, as shown and described.

DESCRIPTION

FIG. 1 is a front elevational view of a suntan lotion applicator showing our new design;  
FIG. 2 is a rear elevational view thereof;  
FIG. 3 is a top plan view thereof;  
FIG. 4 is a bottom plan view thereof;  
FIG. 5 is a right side elevational view thereof; and,  
FIG. 6 is a left side elevational view thereof.



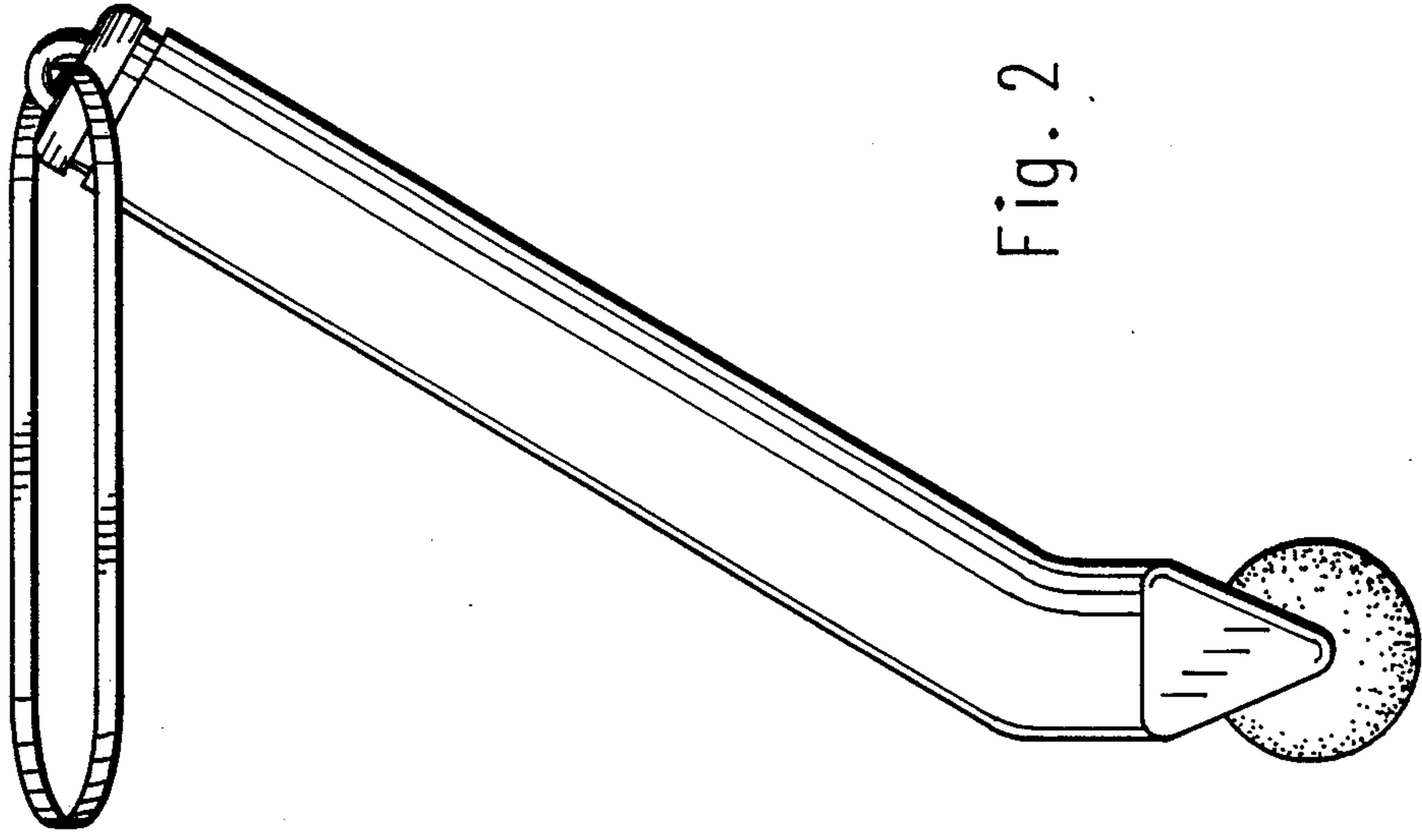


Fig. 2

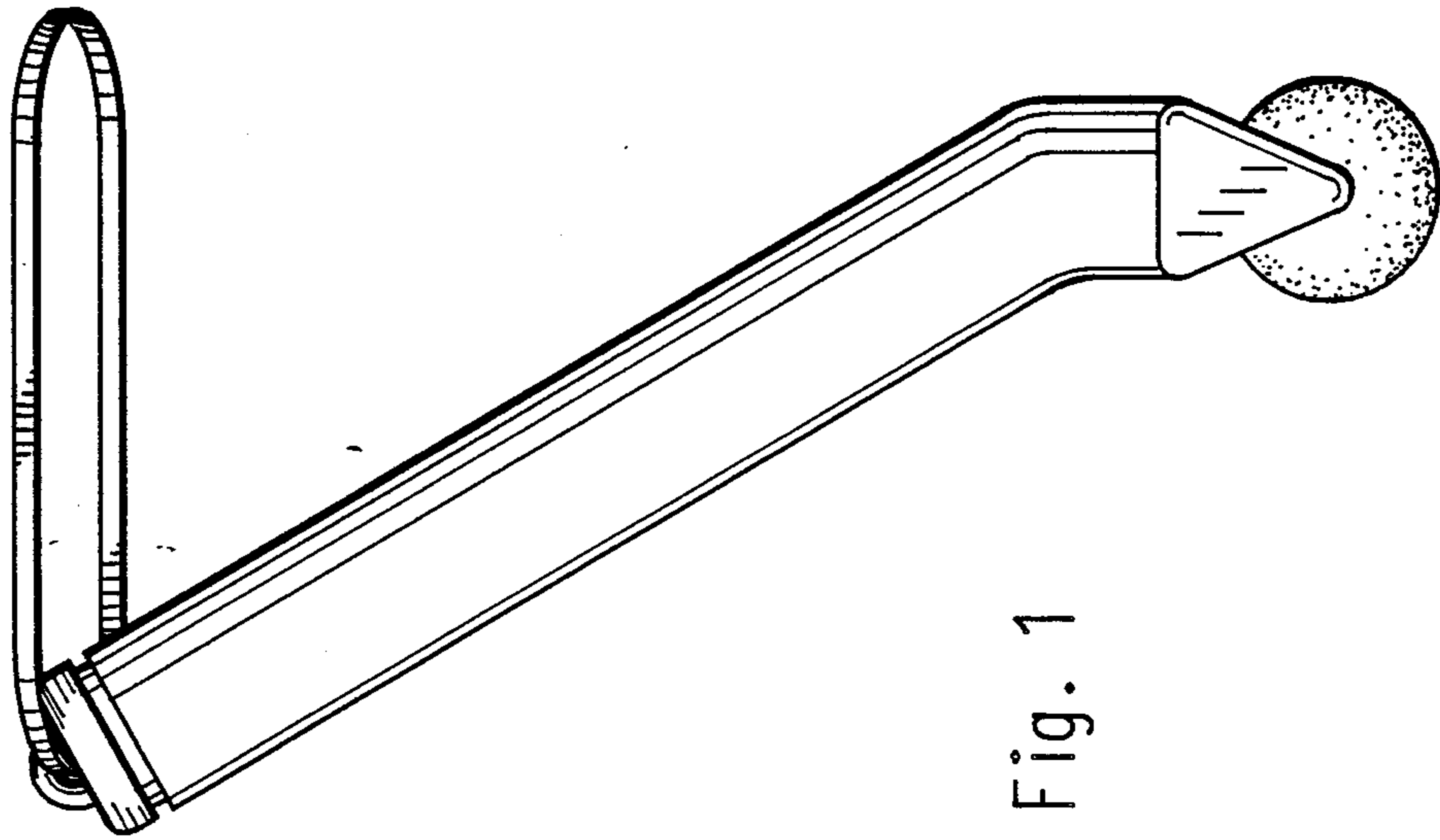


Fig. 1

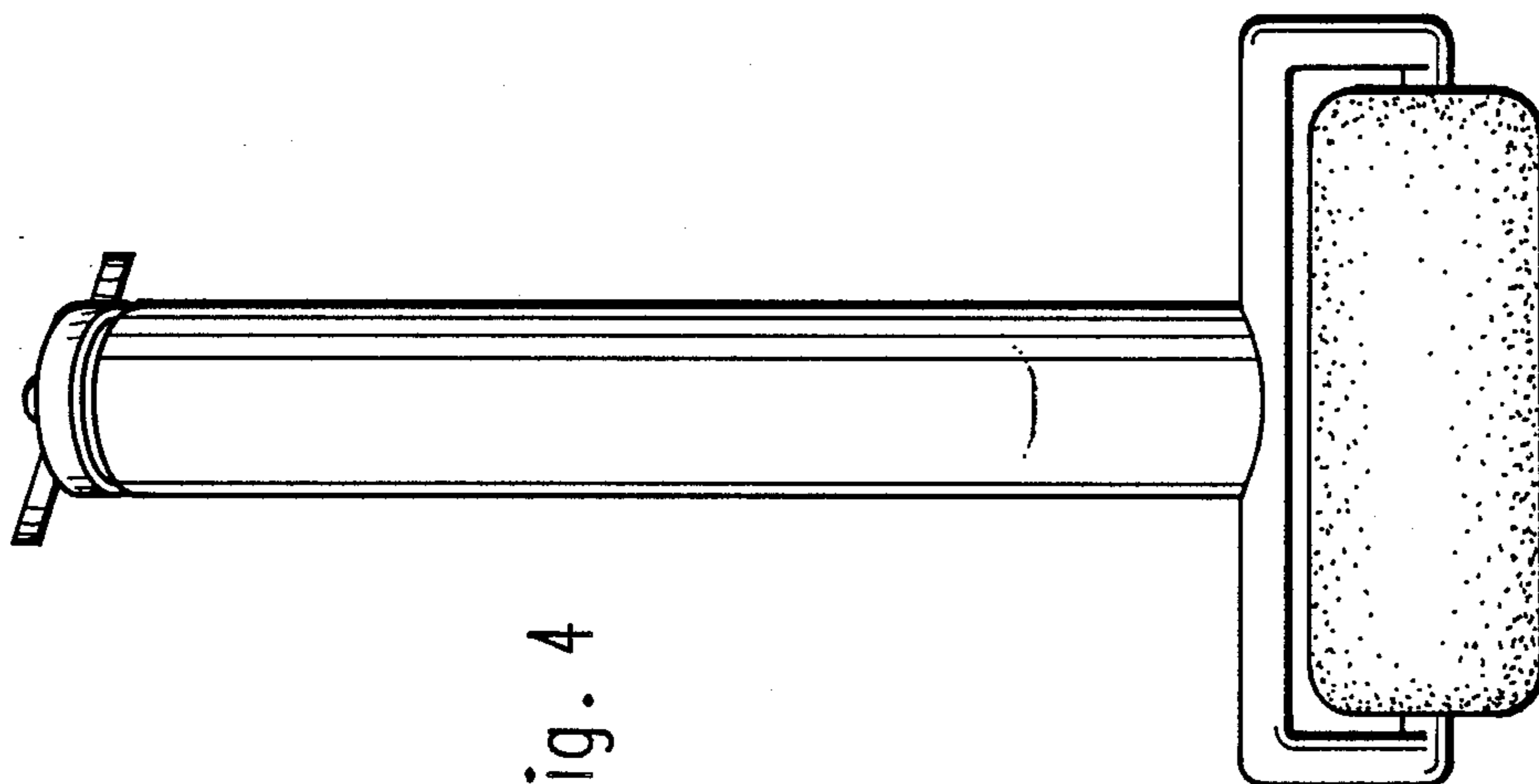


Fig. 4

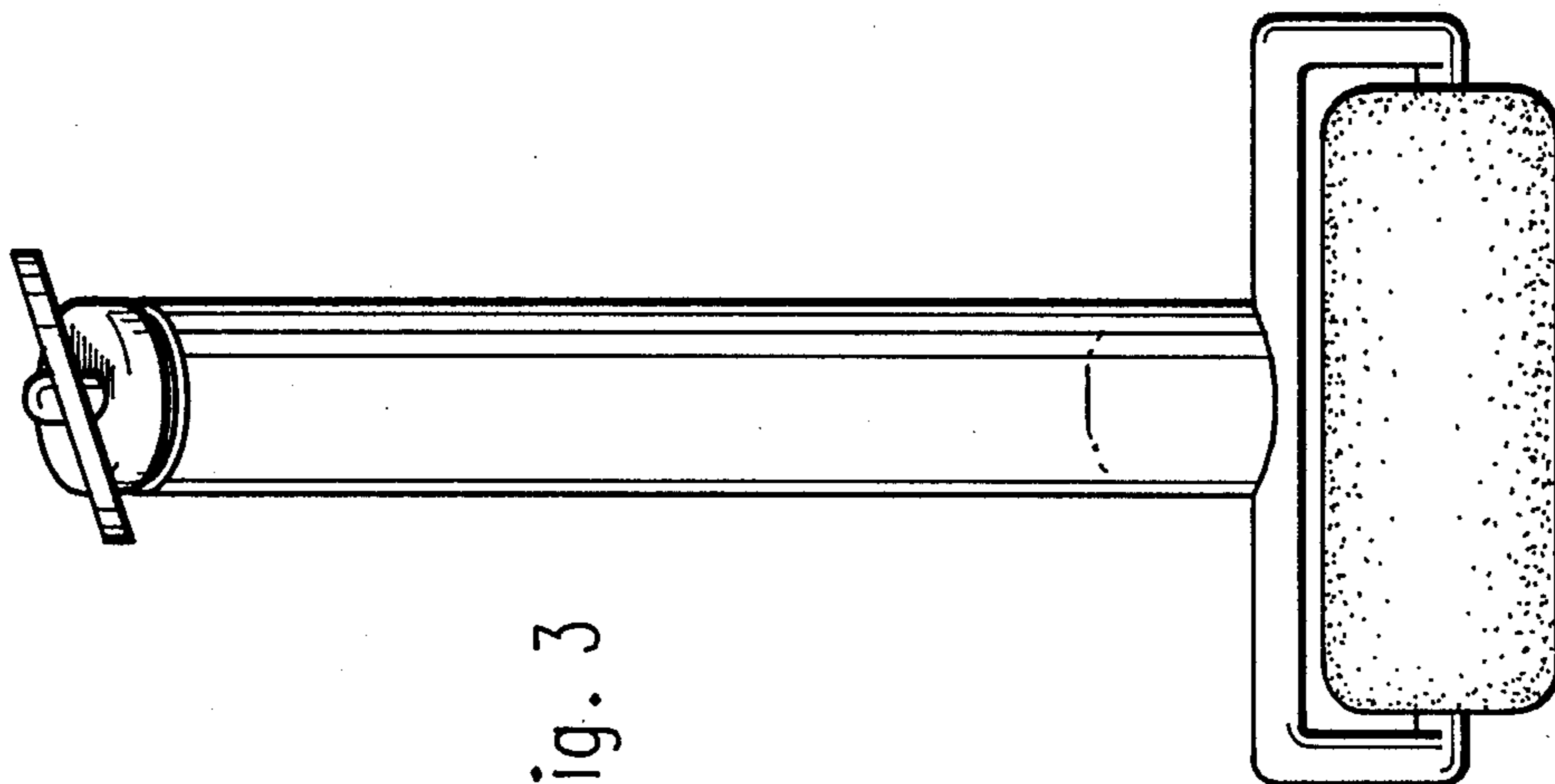


Fig. 3

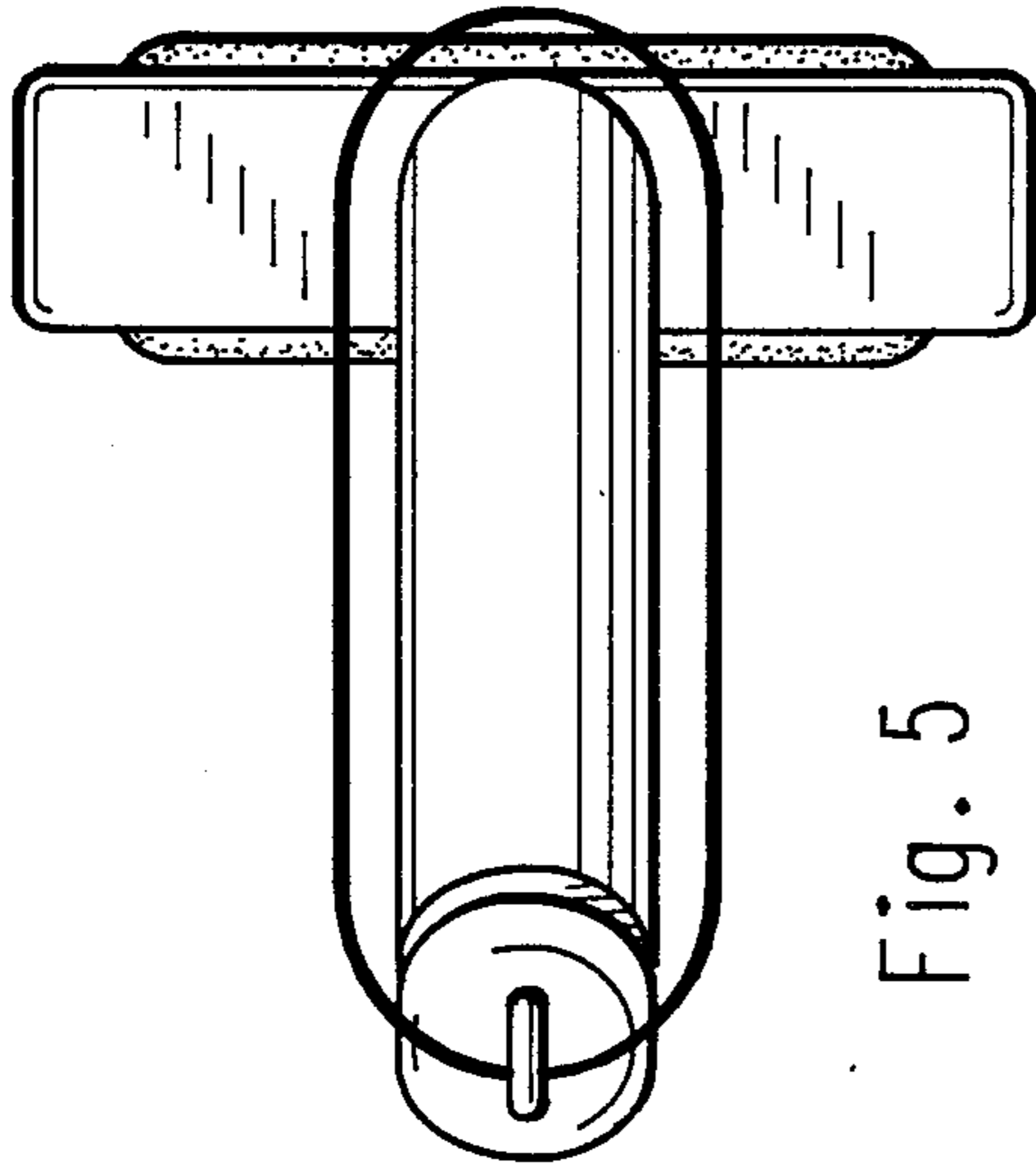


Fig. 5

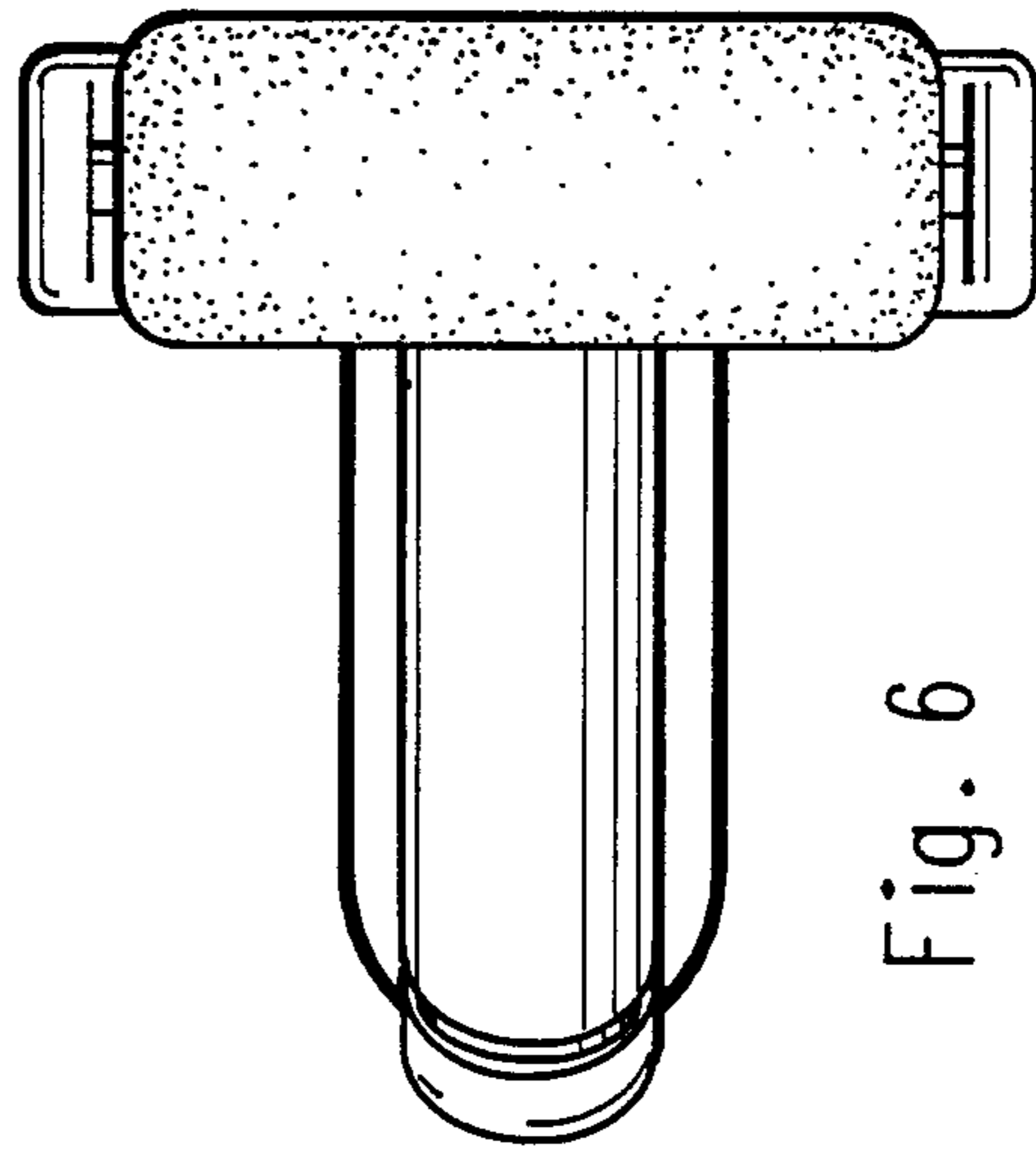


Fig. 6