

[54] **DESIGN FOR A WINDOW COMPONENT EXTRUSION**

[75] **Inventors: Dennis Westphal, Galva; Jonathan Piles, McPherson, both of Kans.**

[73] **Assignee: CertainTeed Corporation, Valley Forge, Pa.**

[\*\*] **Term: 14 Years**

[21] **Appl. No.: 297,672**

[22] **Filed: Jan. 13, 1989**

[52] **U.S. Cl. .... D25/124**

[58] **Field of Search ..... D25/47, 52, 60, 121, D25/122, 124, 119; 49/501, 502, 504, DIG. 2; 52/730, 731, 732, 738**

|            |         |                       |         |
|------------|---------|-----------------------|---------|
| D. 263,754 | 4/1982  | Dallaire .            |         |
| D. 263,755 | 4/1982  | Dallaire .            |         |
| D. 266,949 | 11/1982 | Goldhaber .           |         |
| D. 283,349 | 4/1986  | Slocomb, Jr. .        |         |
| D. 285,610 | 9/1986  | Slocomb, Jr. .        |         |
| D. 286,186 | 10/1986 | Bancroft .            |         |
| D. 291,007 | 7/1987  | Reisinger et al. .    |         |
| D. 291,008 | 7/1987  | Reisinger et al. .    |         |
| D. 292,737 | 10/1987 | Reisinger et al. .    |         |
| D. 292,829 | 11/1987 | Reisinger et al. .    |         |
| D. 300,367 | 3/1989  | Reisinger et al. .    |         |
| D. 300,368 | 3/1989  | Reisinger et al. .    |         |
| D. 300,369 | 3/1989  | Reisinger et al. .    |         |
| D. 300,370 | 3/1989  | Reisinger et al. .... | D25/124 |
| 3,334,463  | 8/1967  | Muessel .....         | D25/124 |
| 3,363,390  | 1/1968  | Crane et al. .        |         |
| 3,475,870  | 3/1966  | Birum, Jr. .          |         |
| 4,040,219  | 8/1977  | Budich .....          | 52/732  |
| 4,110,942  | 9/1978  | Slocomb, Jr. .        |         |

[56] **References Cited**

**U.S. PATENT DOCUMENTS**

|            |         |                |        |
|------------|---------|----------------|--------|
| D. 216,955 | 3/1970  | Dallaire .     |        |
| D. 216,956 | 3/1970  | Dallaire ..... | D25/52 |
| D. 222,932 | 2/1972  | Dallaire .     |        |
| D. 222,994 | 2/1972  | Dallaire .     |        |
| D. 225,219 | 11/1972 | Dallaire .     |        |
| D. 226,904 | 5/1973  | Dallaire .     |        |
| D. 258,615 | 3/1981  | Dallaire .     |        |
| D. 258,619 | 3/1981  | Dallaire .     |        |
| D. 259,810 | 7/1981  | Dallaire .     |        |
| D. 263,753 | 4/1982  | Dallaire .     |        |

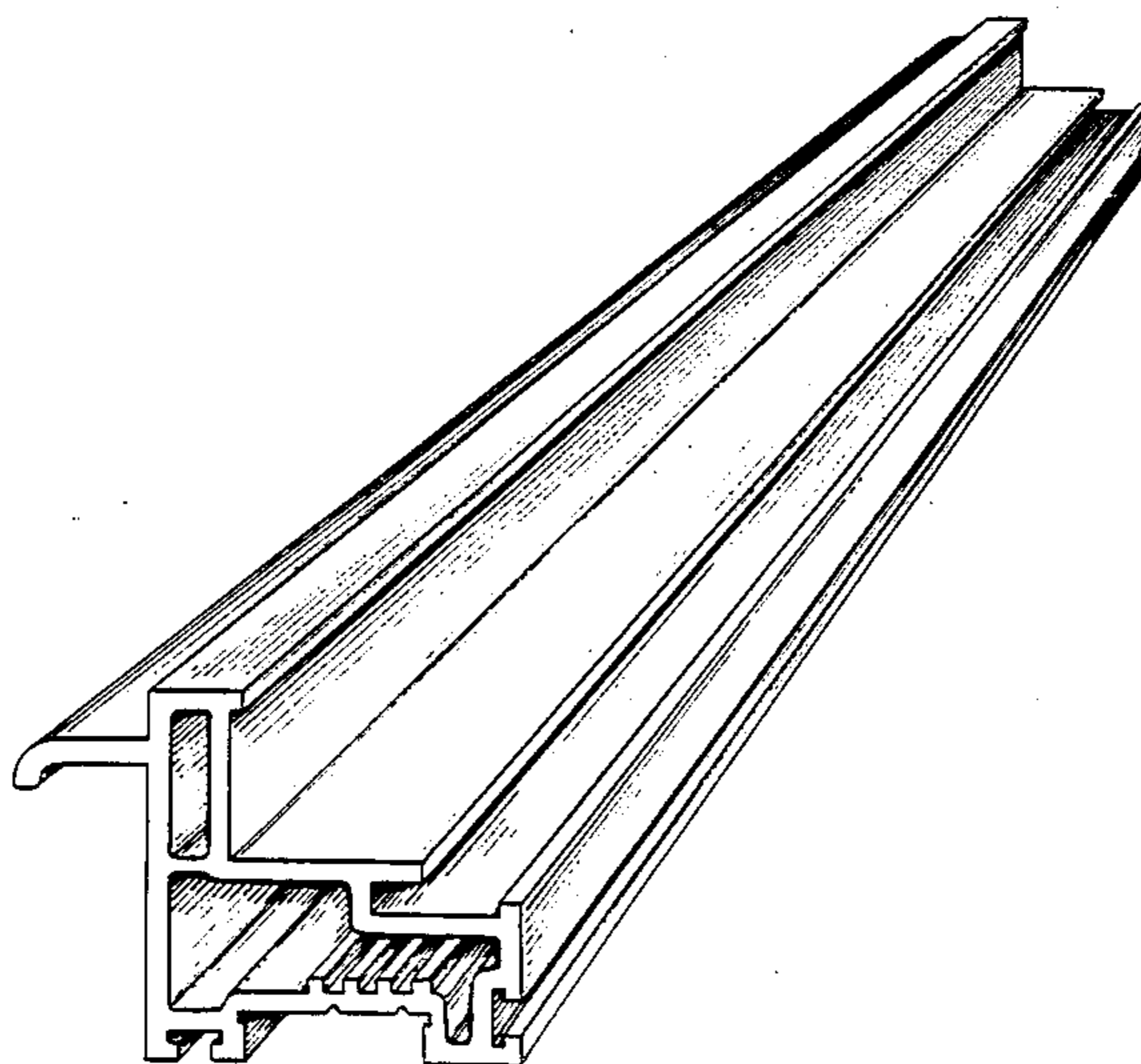
*Primary Examiner*—A. Hugo Word  
*Assistant Examiner*—Doris Clark  
*Attorney, Agent, or Firm*—Paul & Paul

[57] **CLAIM**

The ornamental design for a window component extrusion, as shown and described.

**DESCRIPTION**

The FIGURE is a front perspective view of a window component extrusion showing our new design, the rear perspective view being a mirror image thereof.



U.S. Patent

Apr. 24, 1990

D307,486

