

[54] SPACER ELEMENT FOR SCAFFOLDING

[75] Inventor: John G. Brasil, Mississauga, Canada

[73] Assignee: Anthes Industries, Inc., Ontario, Canada

[**] Term: 14 Years

[21] Appl. No.: 260,352

[22] Filed: Oct. 19, 1988

[52] U.S. Cl. D25/68; D25/61

[58] Field of Search D25/66, 61; D8/354, D8/358, 366, 371, 366, 371; 182/194, 197, 274, 228, 229; 403/174, 178, 176, 179

[56] References Cited

U.S. PATENT DOCUMENTS

D. 249,459	9/1978	Halliwell	D8/366
4,044,523	8/1977	Layhes	52/638
4,065,220	12/1977	Ruga	403/176
4,551,960	11/1985	Fleishman	403/176
4,587,786	5/1986	Woods	52/638
4,806,041	2/1989	Chamayouditfelix	403/176

Primary Examiner—A. Hugo Word

Assistant Examiner—Doris Clark

Attorney, Agent, or Firm—Renner, Otto, Boisselle & Sklar

[57] CLAIM

The ornamental design for spacer element for scaffolding, as shown and described.

DESCRIPTION

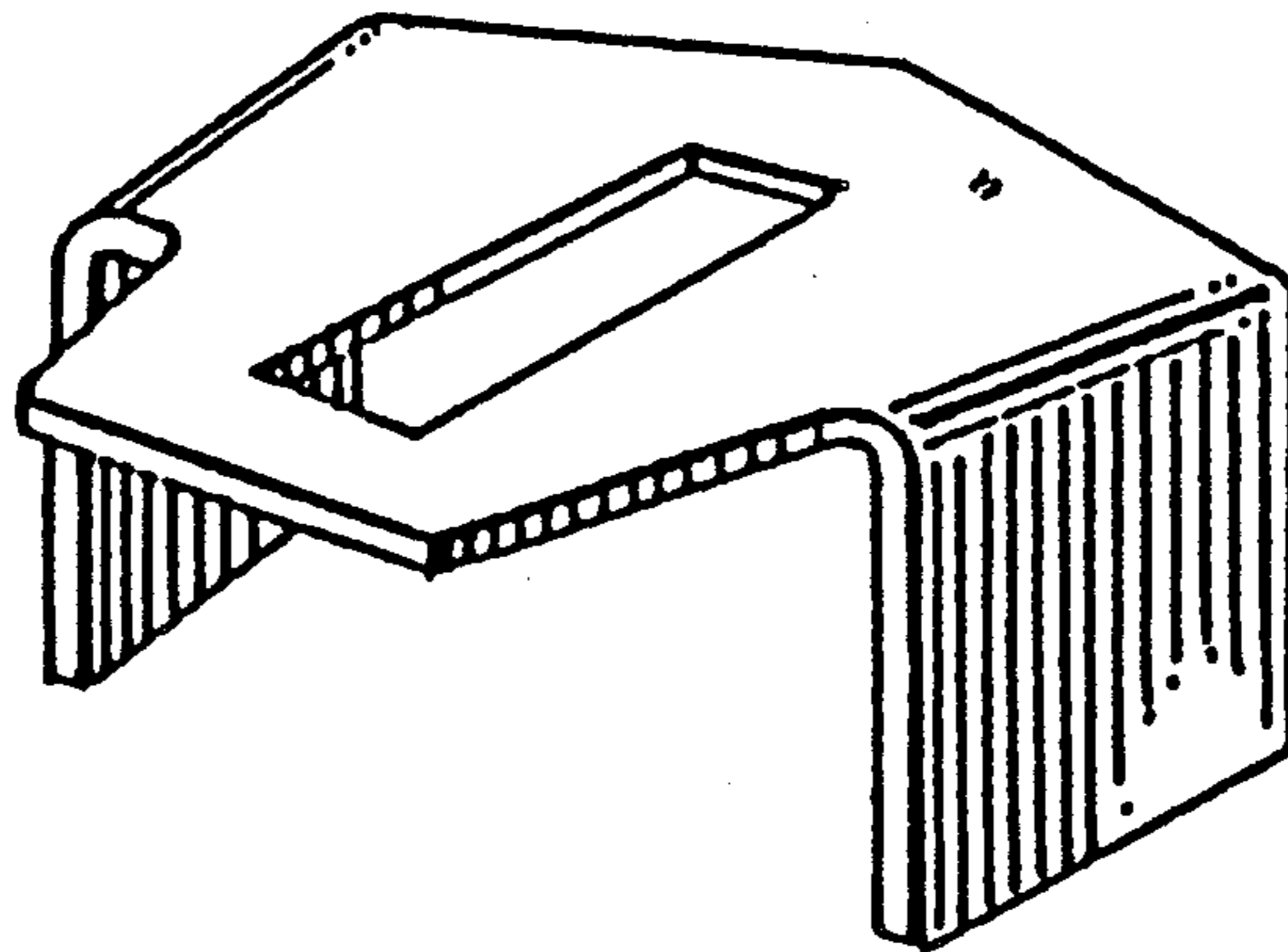
FIG. 1 is a front perspective view of a spacer element for scaffolding showing my new design;

FIG. 2 is a top plan view of the spacer element in its operative position, the broken line showing of scaffolding parts is for illustrative purposes only and forms no part of the claimed design;

FIG. 3 is a side elevational view thereof;

FIG. 4 is a top plan view of a second embodiment of a spacer element for scaffolding showing my new design; and,

FIG. 5 is a top plan view of a third embodiment of a spacer element for scaffolding showing my new design.



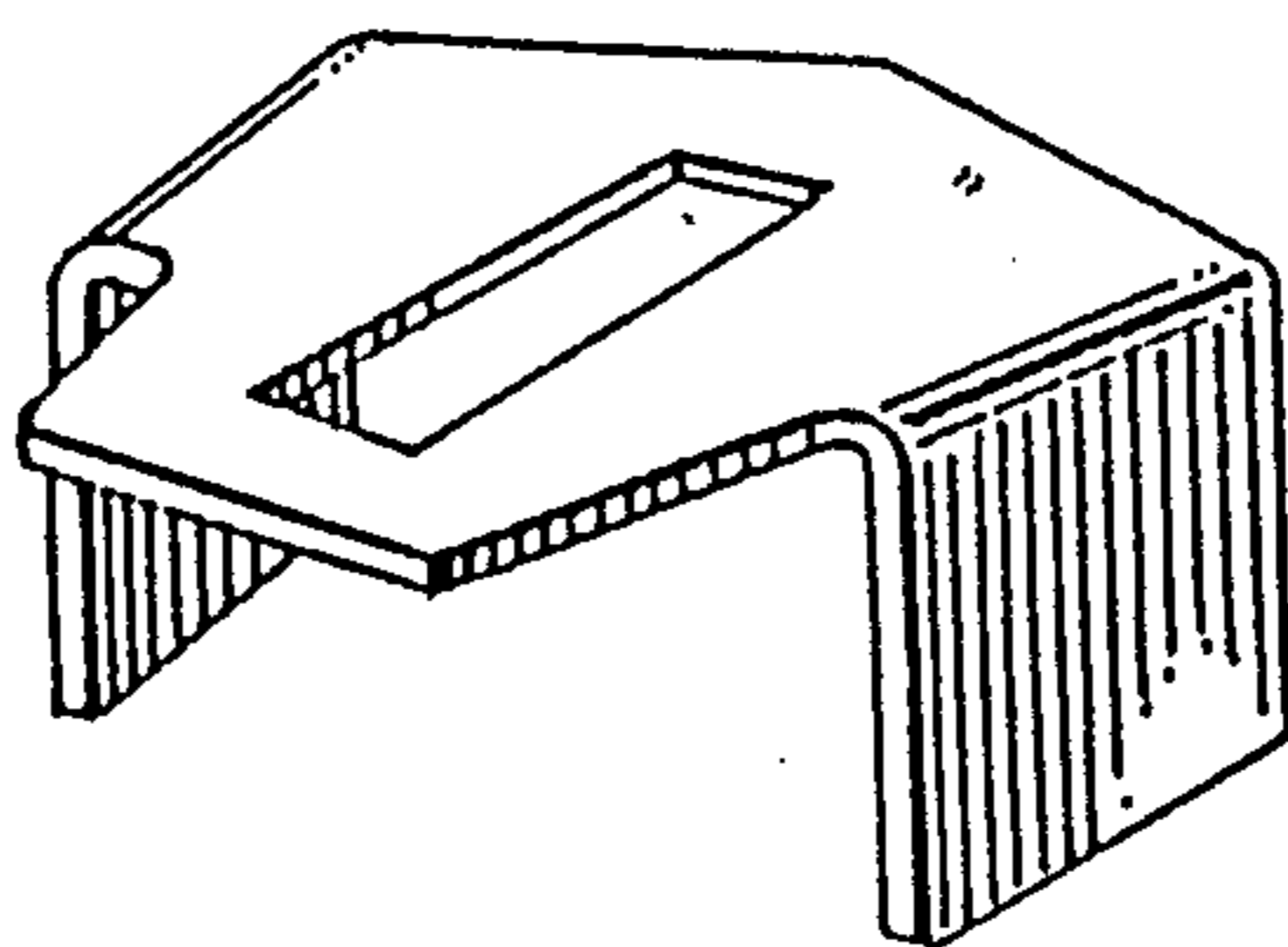


FIG. 1

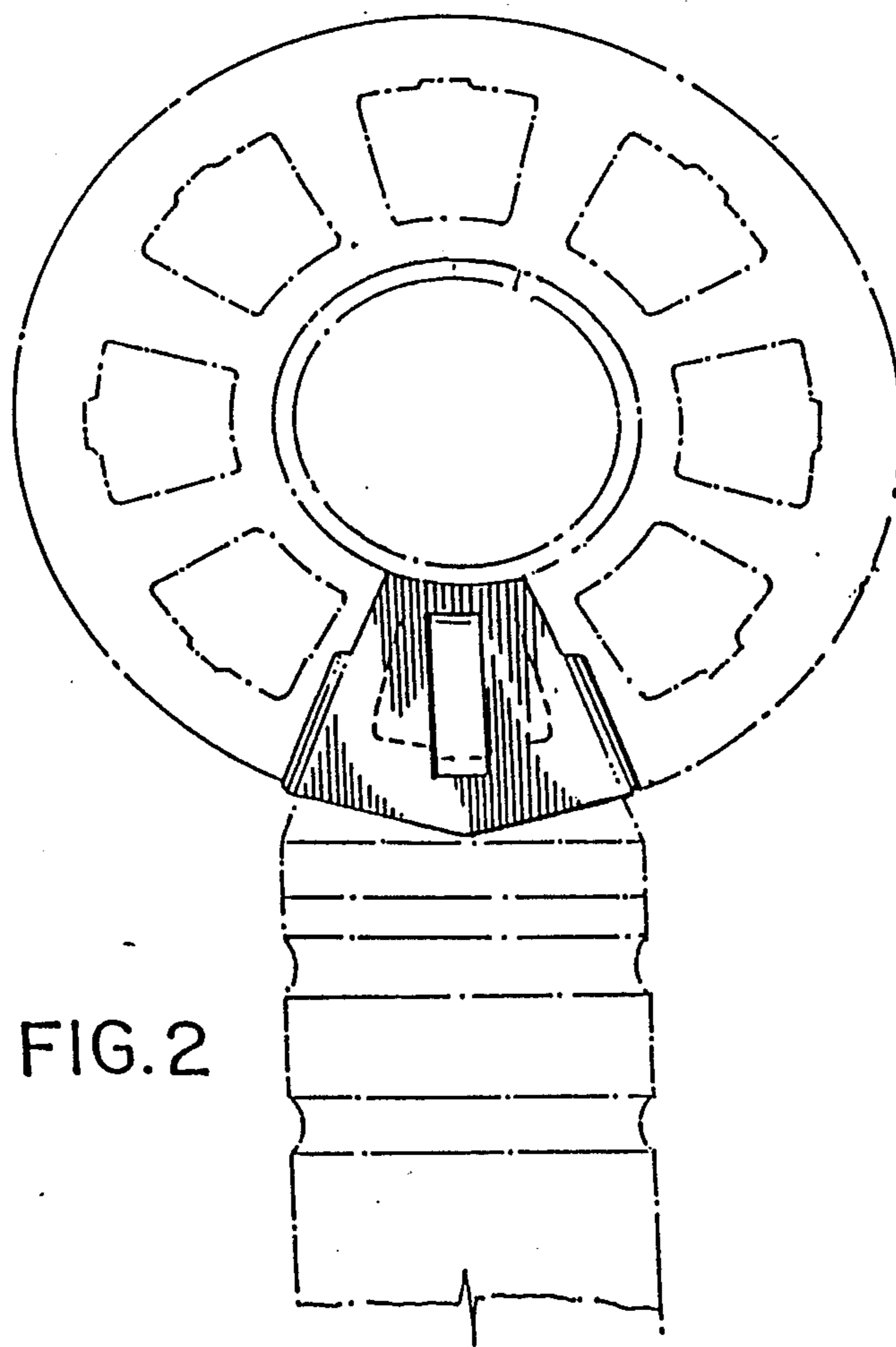


FIG. 2

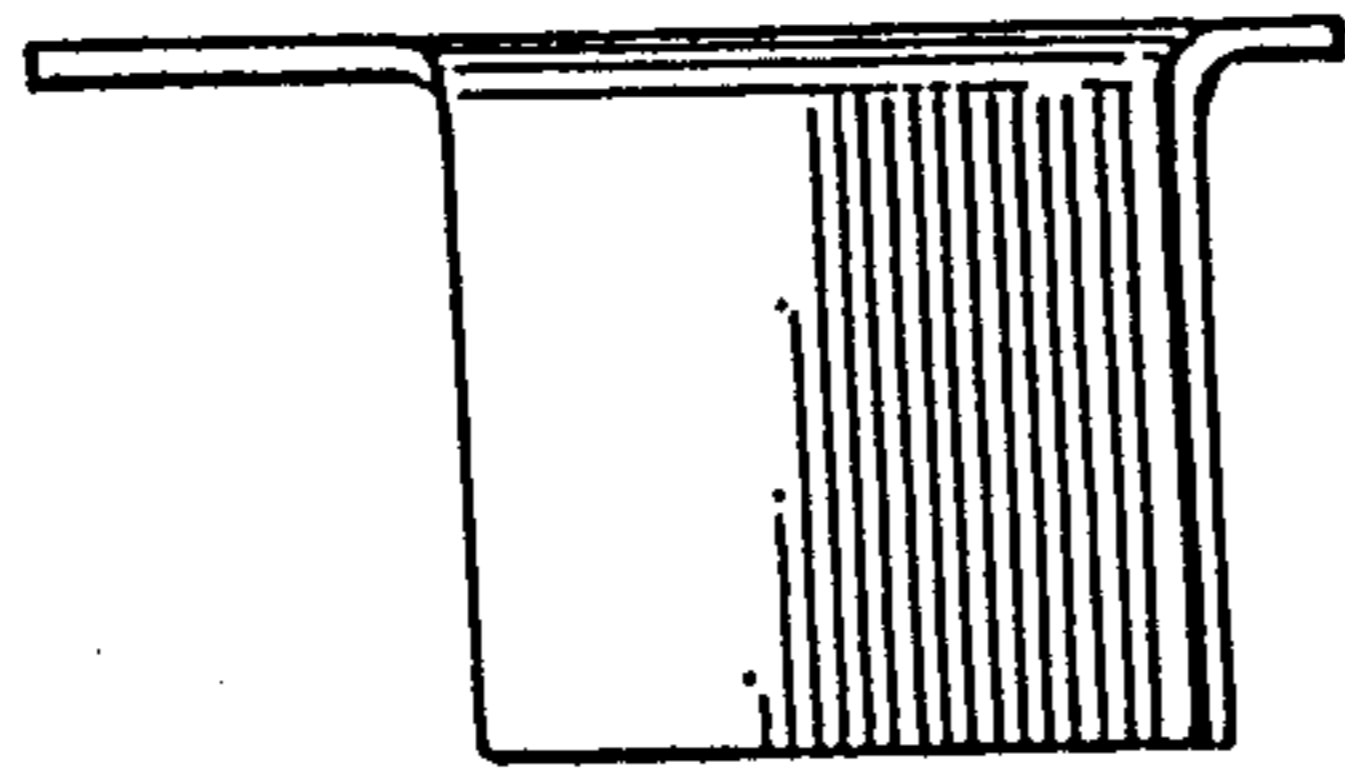


FIG. 3

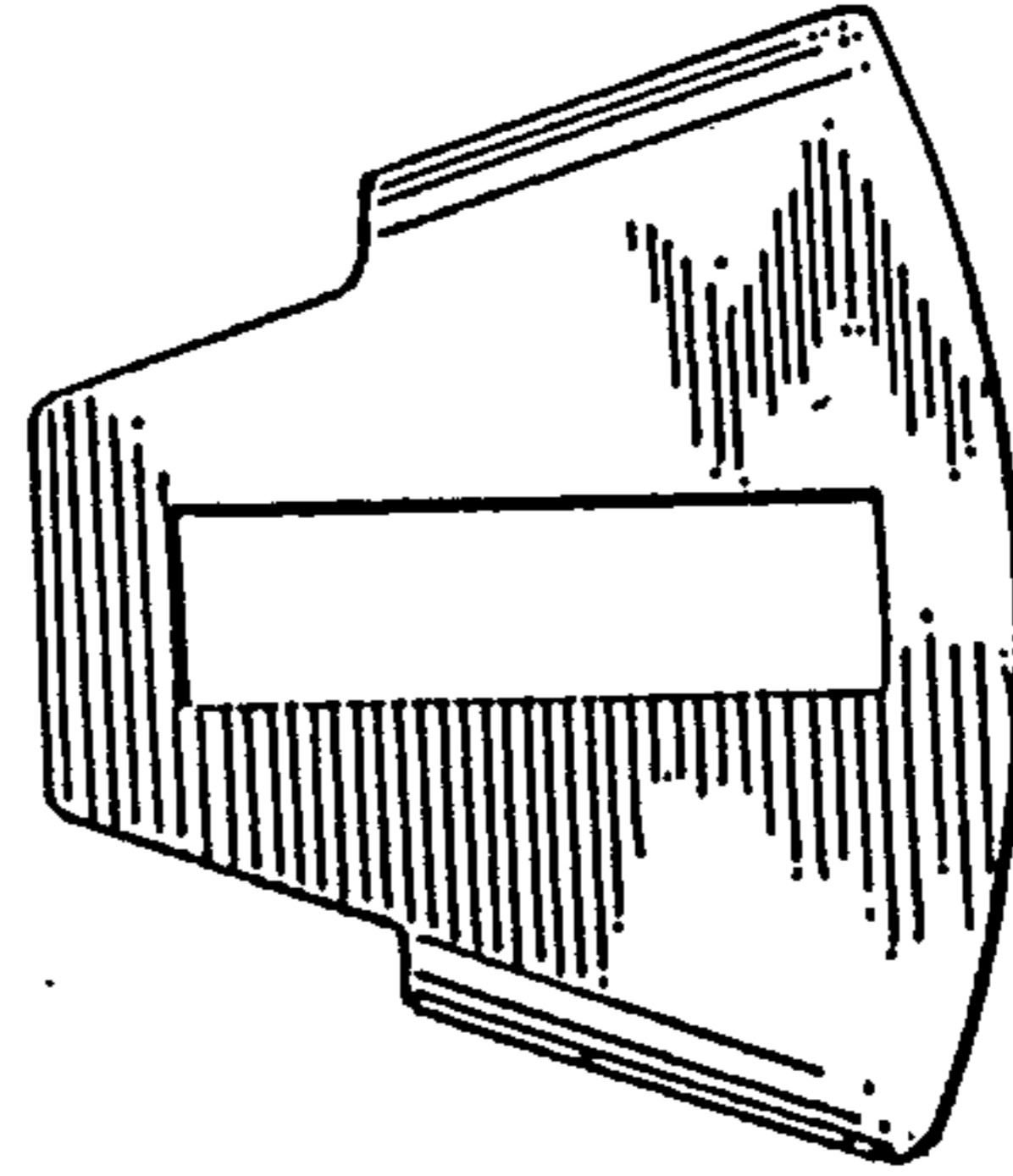


FIG. 4

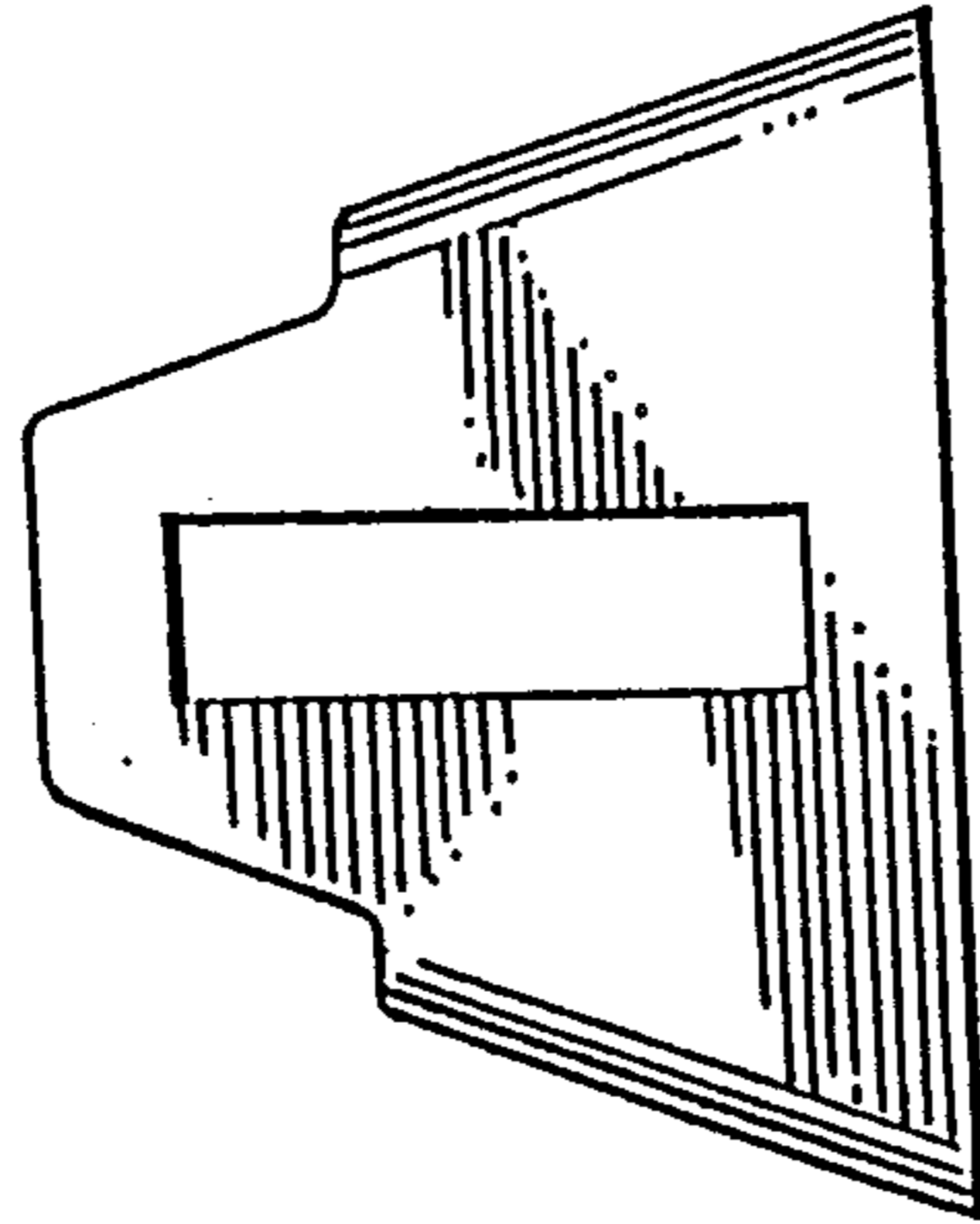


FIG. 5