

[54] **SYRINGE SHIELD**
[76] **Inventor: June C. Cook, Rte. 1, Box 260, Altus, Ark. 72821**
[**] **Term: 14 Years**
[21] **Appl. No.: 118,357**
[22] **Filed: Nov. 9, 1987**
[52] **U.S. Cl. D24/25**
[58] **Field of Search D24/25, 24; 604/192, 604/197, 198; 199, 187, 263; 206/366**

[56] **References Cited**

U.S. PATENT DOCUMENTS

D. 302,296 7/1989 Harmony D24/25
3,108,591 10/1963 Kolbas D24/25 X
3,820,541 6/1974 Langan 128/215
4,571,242 2/1986 Klein et al. 604/111

4,573,975 3/1986 Frist et al. 604/192
4,740,204 4/1988 Masters et al. 604/263

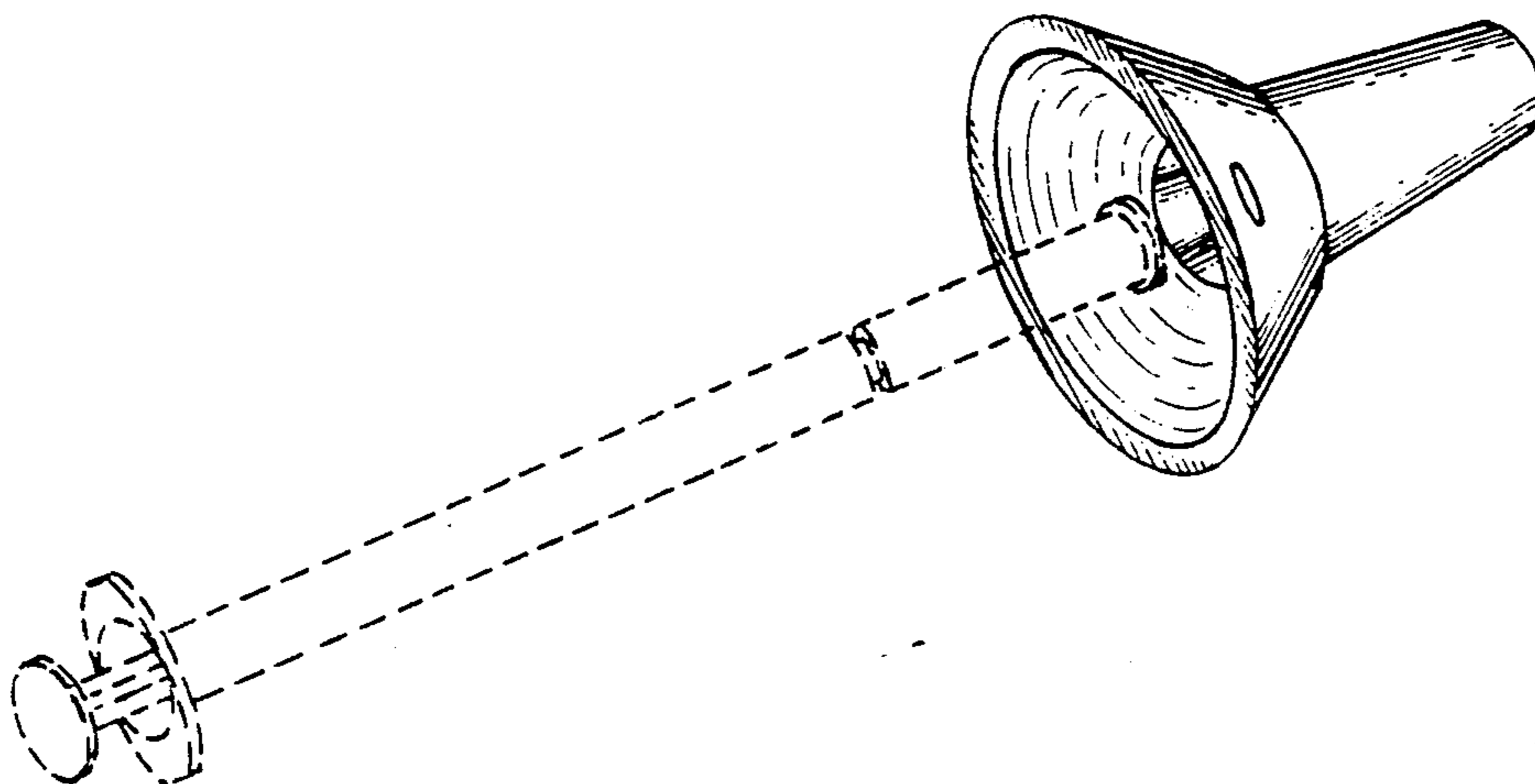
Primary Examiner—A. Hugo Word
Assistant Examiner—Stella M. Reid
Attorney, Agent, or Firm—Stephen D. Carver

[57] **CLAIM**

The ornamental design for a syringe shield, as shown and described.

DESCRIPTION

FIG. 1 is a perspective view of a syringe shield, showing my new-design, the broken line showing of the syringe is for illustrative purposes only and forms no part of the claimed design;
FIG. 2 is a left side elevational view thereof;
FIG. 3 is a right side elevational view thereof;
FIG. 4 is a bottom plan view thereof; and,
FIG. 5 is a top plan view thereof.



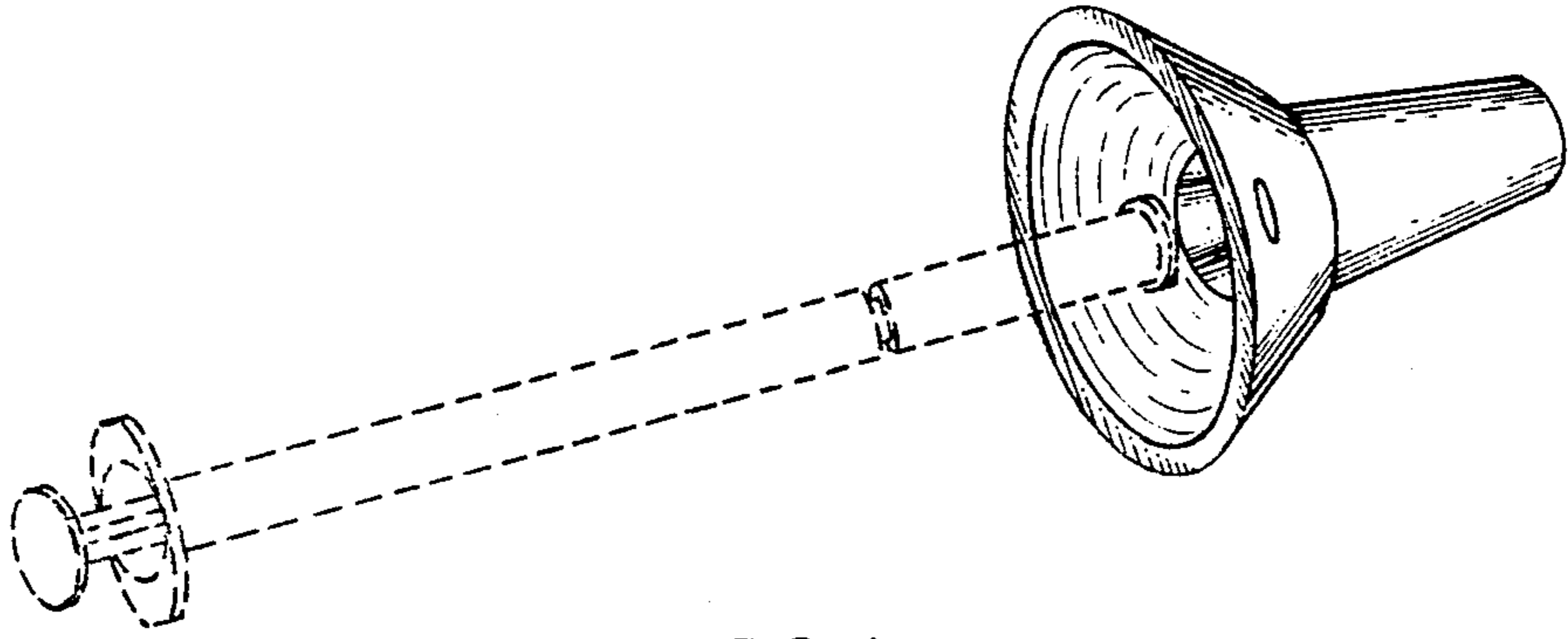


FIG. 1

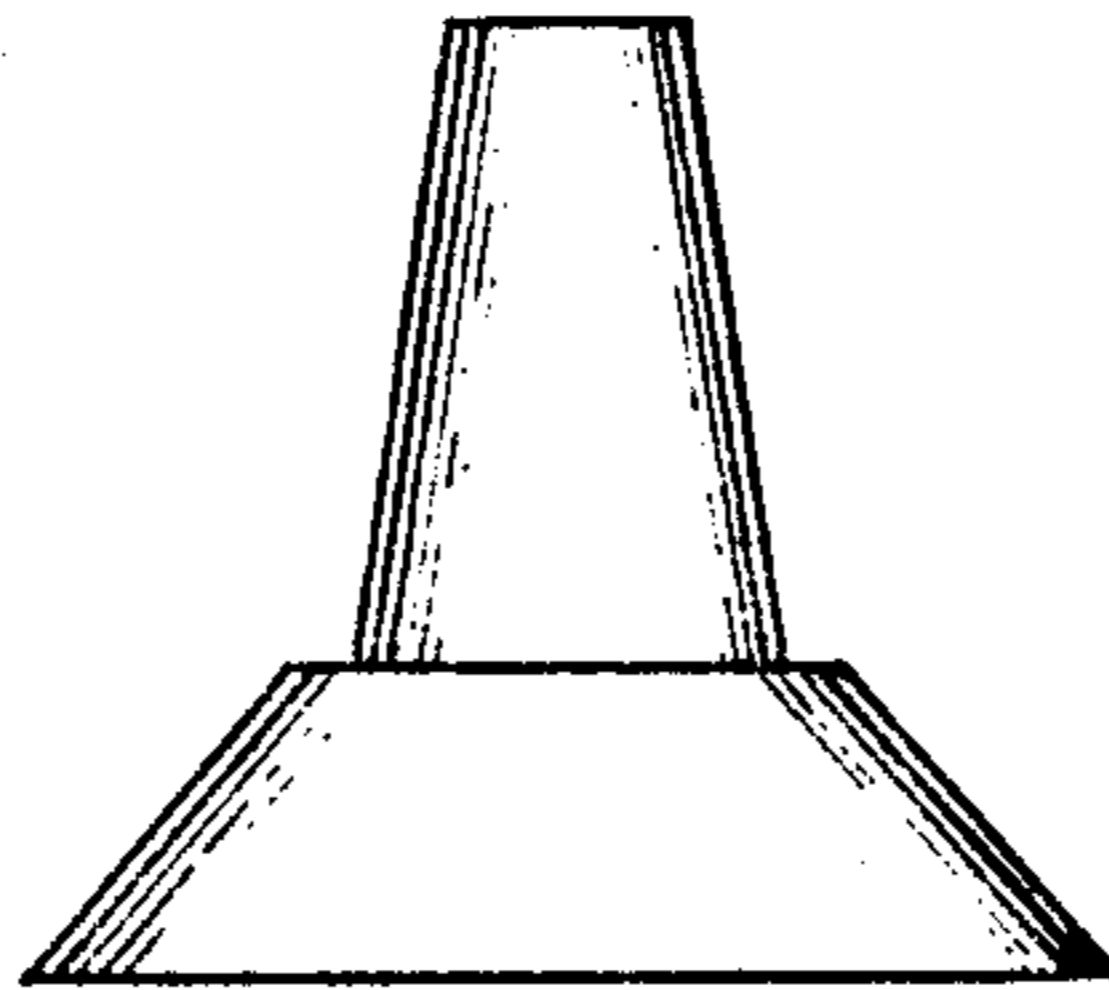


FIG. 2

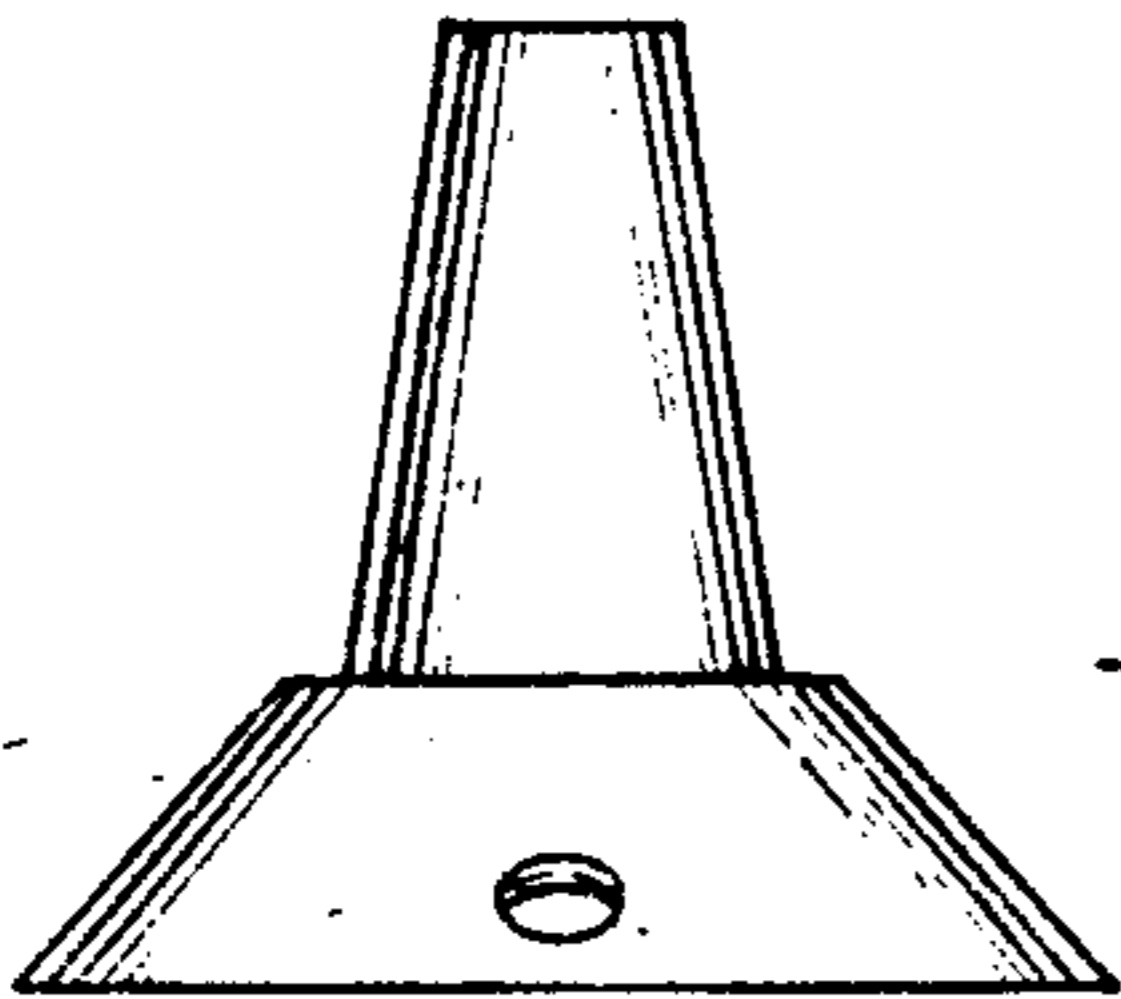


FIG. 3

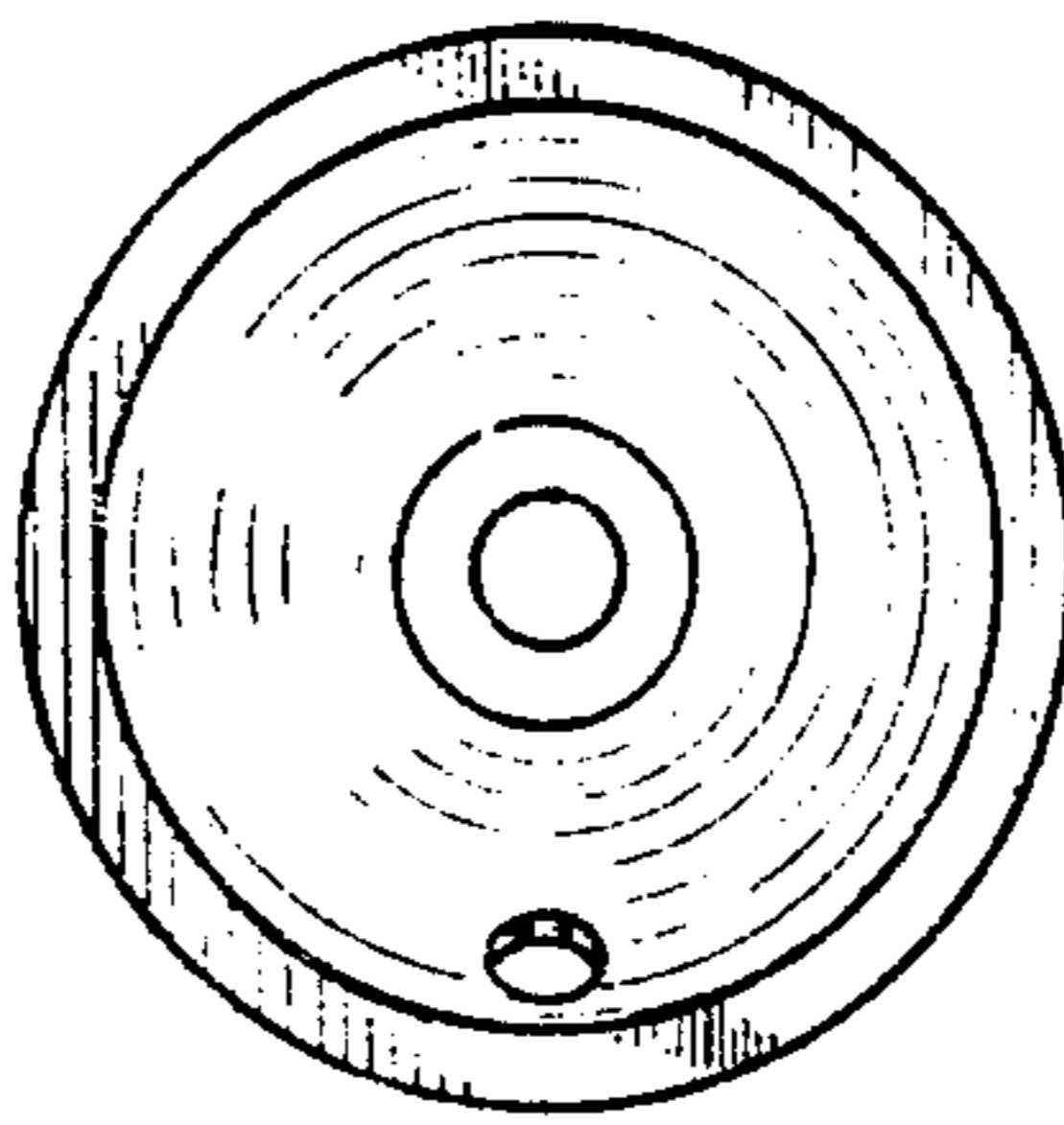


FIG. 4

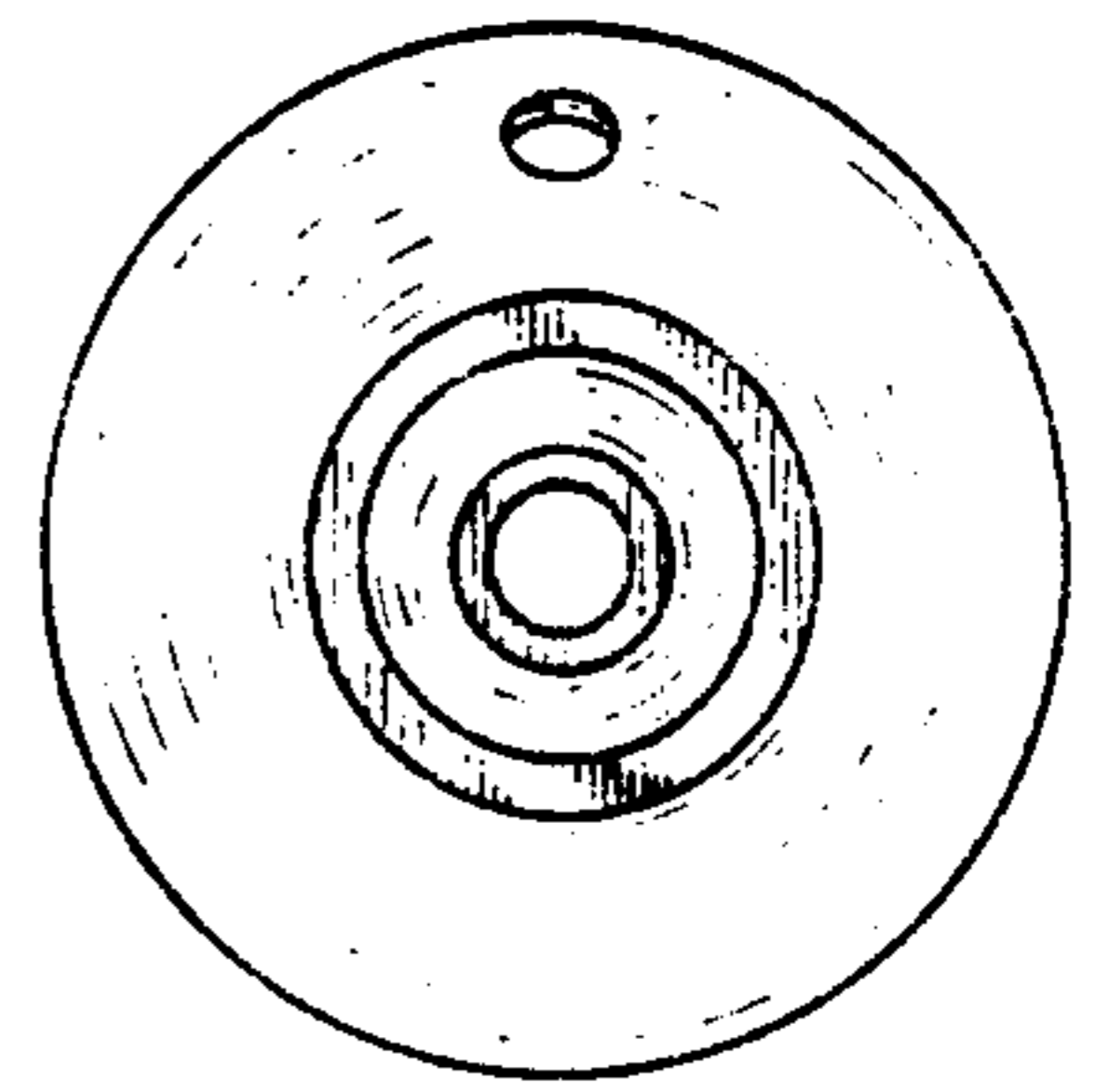


FIG. 5