

- [54] **DRILL-MOUNTABLE TOOL FOR THE INSTALLATION AND REMOVAL OF THREADED DENTAL PROSTHETIC ELEMENTS**
- [75] **Inventor: Per O. Söderberg, Stockholm, Sweden**
- [73] **Assignee: Astra Meditec Aktiebolag, Mölndal, Sweden**
- [**] **Term: 14 Years**
- [21] **Appl. No.: 112,141**
- [22] **Filed: Oct. 21, 1987**
- [30] **Foreign Application Priority Data**
Apr. 22, 1987 [SE] Sweden 870922
- [52] **U.S. Cl. D24/16**
- [58] **Field of Search D24/10, 16; 433/167, 433/74-75, 165, 201.1**
- [56] **References Cited**
U.S. PATENT DOCUMENTS
D. 246,112 10/1977 Biggs D24/10

D. 268,615 4/1983 Biggs D24/10

OTHER PUBLICATIONS

S. S. White Dental Mfg. Co. Catalogue, (1899), p. 97, Appliances for Mounting Tooth Crowns, #5 Drill Chuck.

Primary Examiner—Wallace R. Burke
Assistant Examiner—Brian N. Vinson
Attorney, Agent, or Firm—White & Case

[57] **CLAIM**

The ornamental design for a drill-mountable tool for the installation and removal of threaded dental prosthetic elements, substantially as shown and described.

DESCRIPTION

FIG. 1 is a top and front perspective view of a drill-mountable tool for the installation and removal of threaded dental prosthetic elements showing my new design;
FIG. 2 is a bottom and rear perspective view thereof;
and
FIG. 3 is a bottom and side perspective view thereof, the opposite side being a mirror image of that shown.

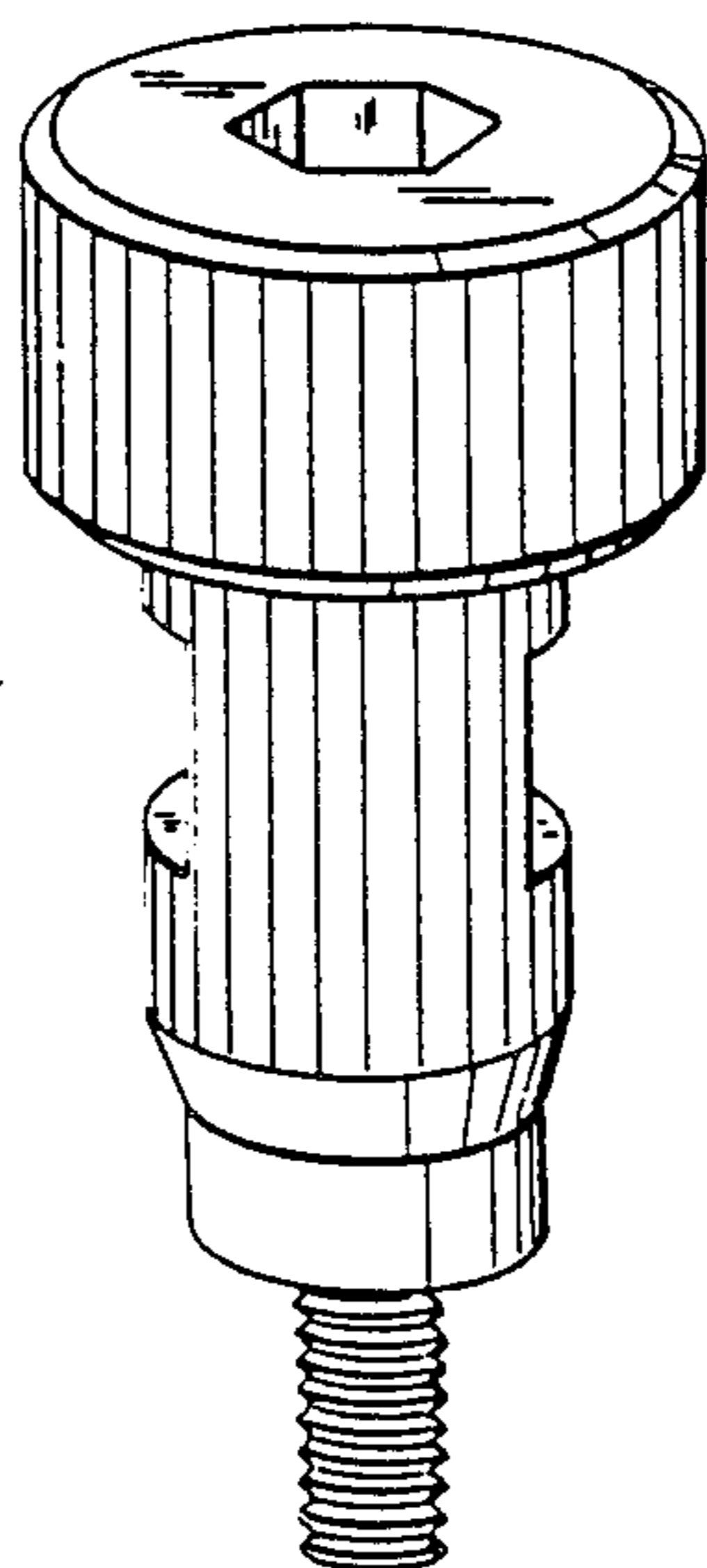


Fig. 2

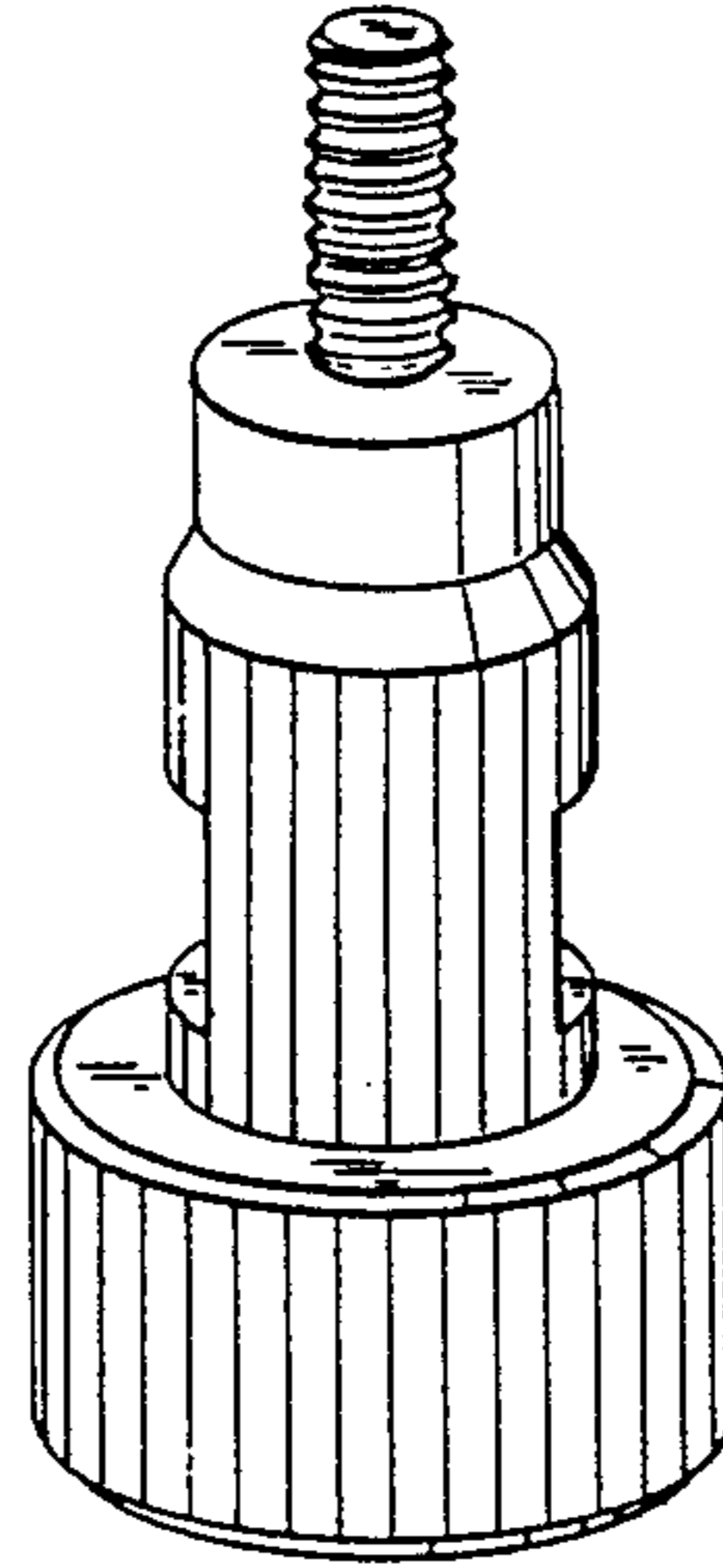


Fig. 1

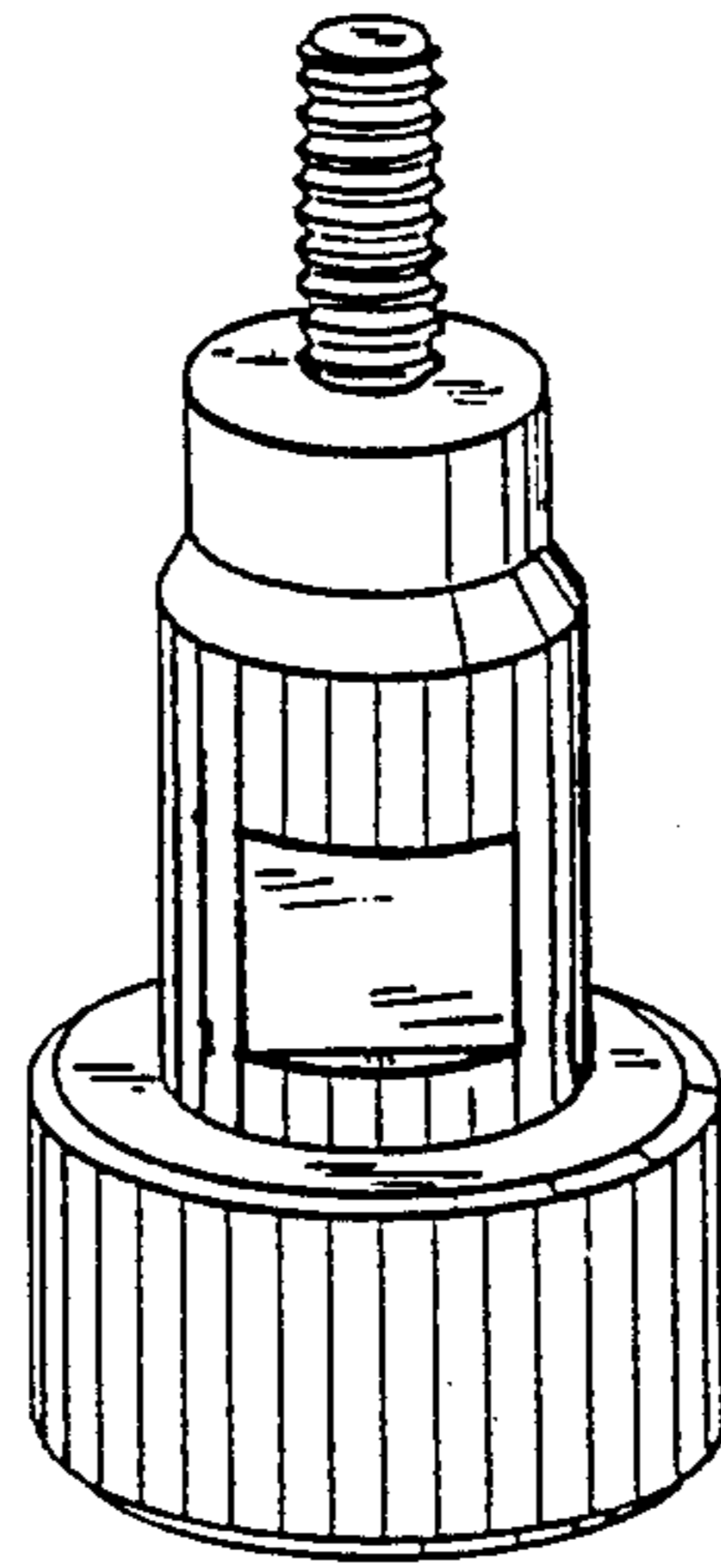
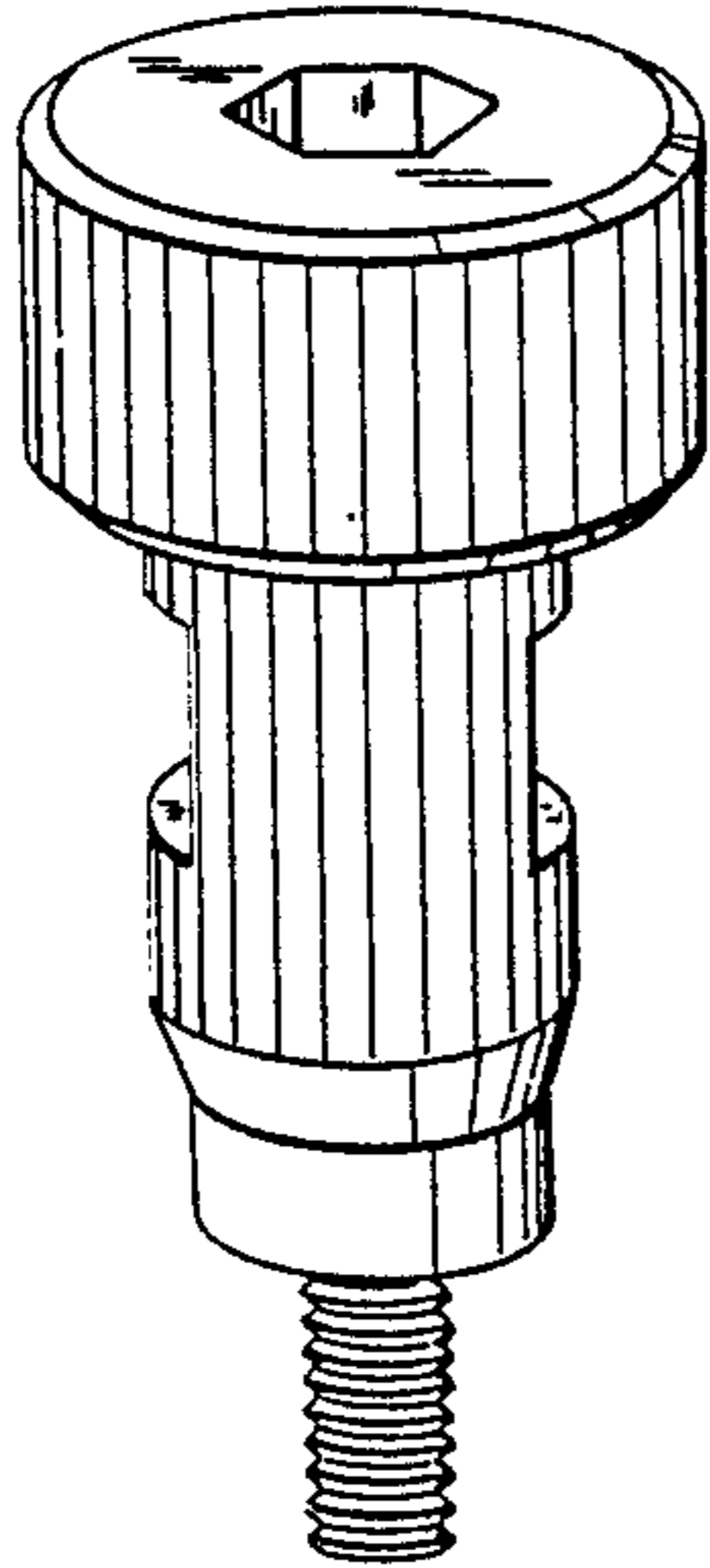


Fig. 3