

[54] DENTAL INSTRUMENT HONE

[76] Inventor: Steven B. Moore, 7846 S. Logan St., Littleton, Colo. 80122

[**] Term: 14 Years

[21] Appl. No.: 91,428

[22] Filed: Aug. 31, 1987

[52] U.S. Cl. D24/16; D5/91

[58] Field of Search D24/10, 16; D8/91-93; 51/214; 433/142, 229

[56] References Cited

U.S. PATENT DOCUMENTS

3,797,334	3/1974	Sinclair	D8/91 X
4,509,268	4/1985	Marquam et al.	51/214 X
4,669,337	6/1987	Petroff	51/214 X

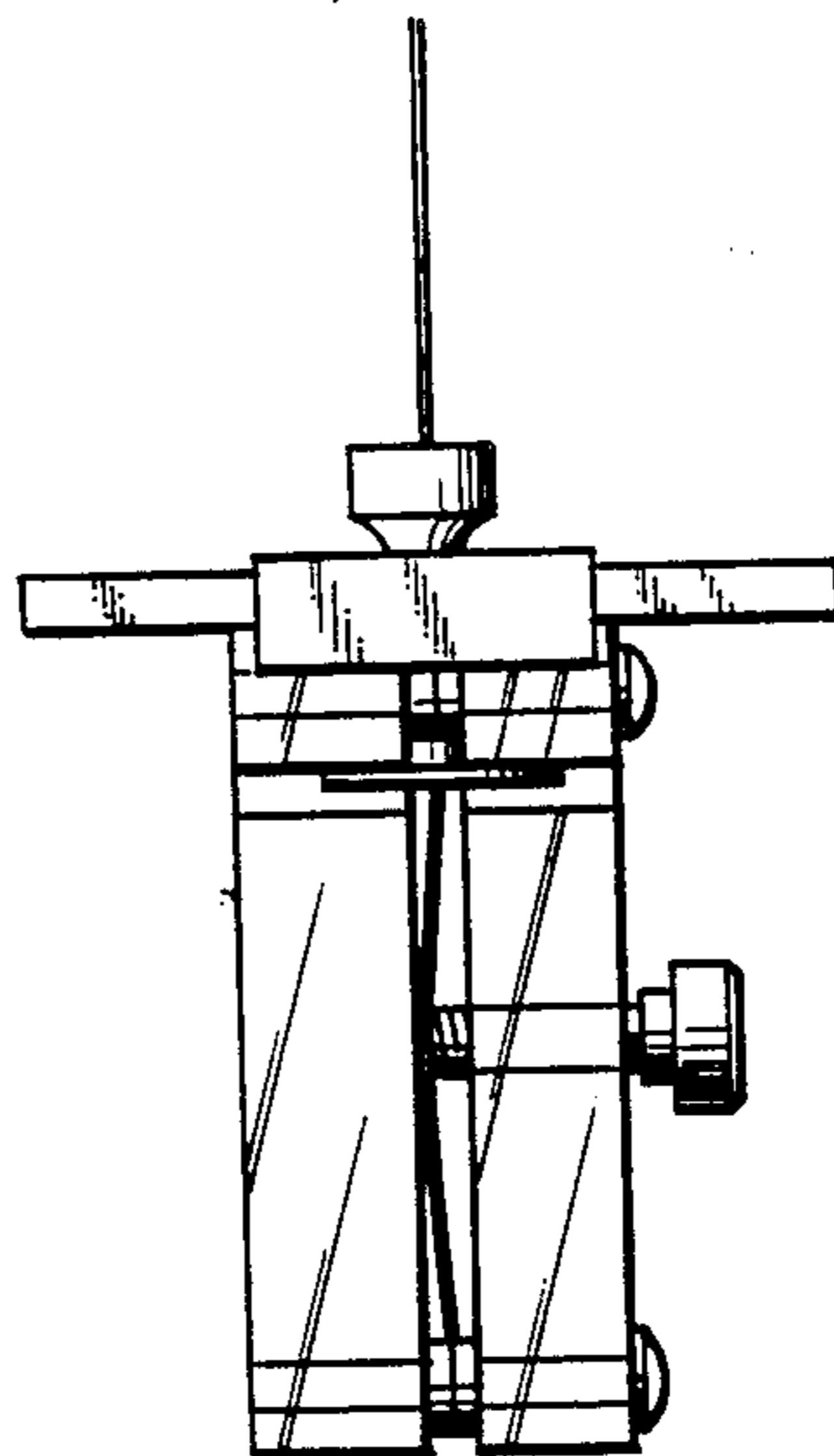
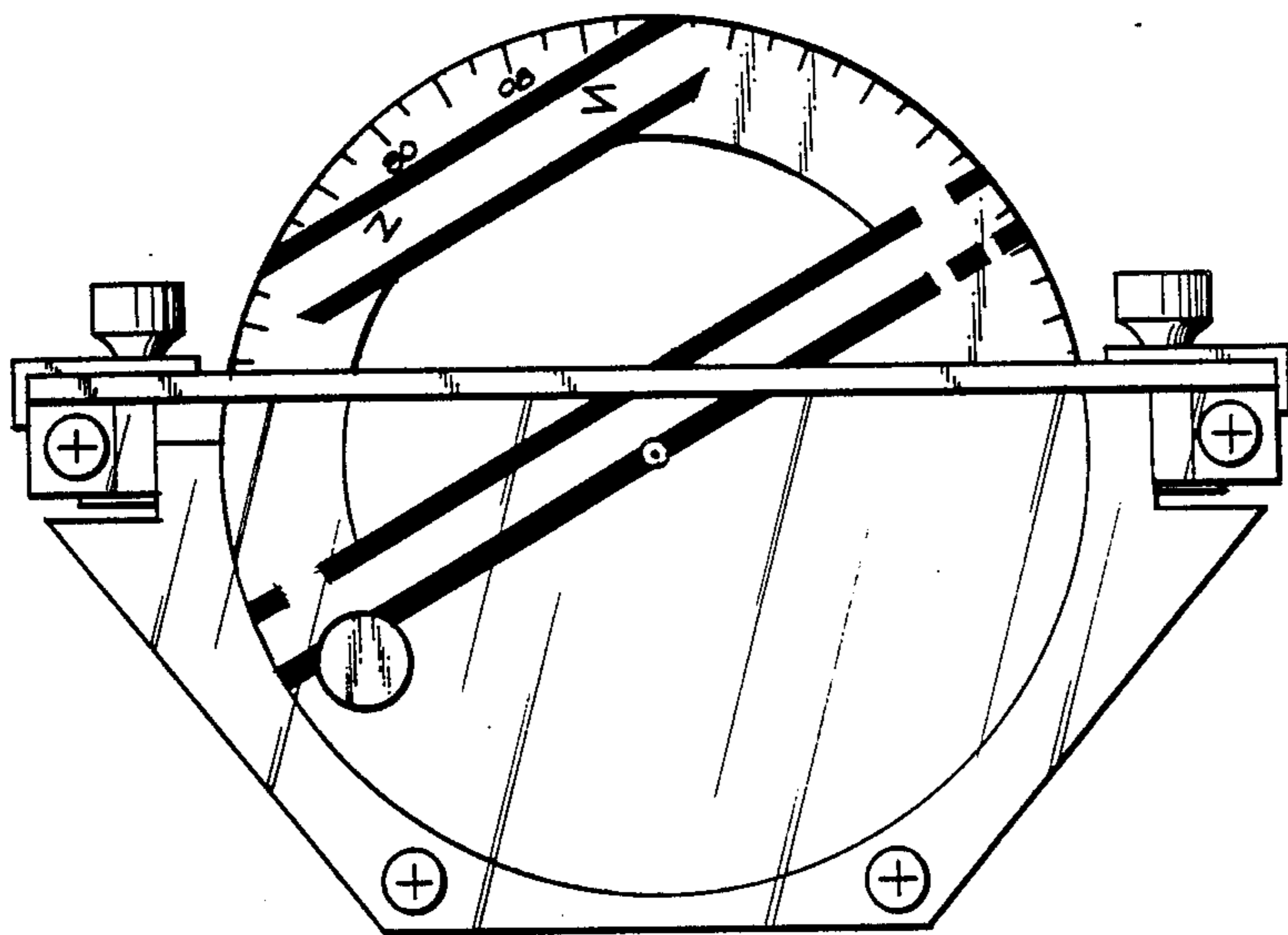
Primary Examiner—Wallace R. Burke
Assistant Examiner—Brian N. Vinson
Attorney, Agent, or Firm—Edwin L. Spangler, Jr.;
Richard W. Hanes

[57] CLAIM

The ornamental design for a dental instrument hone, as shown.

DESCRIPTION

FIG. 1 is a front elevational view of a dental instrument hone showing my new design;
FIG. 2 is a rear elevational view thereof;
FIG. 3 is a top plan view thereof;
FIG. 4 is a bottom plan view thereof;
FIG. 5 is a right side elevational view thereof; and
FIG. 6 is a left side elevational view thereof.



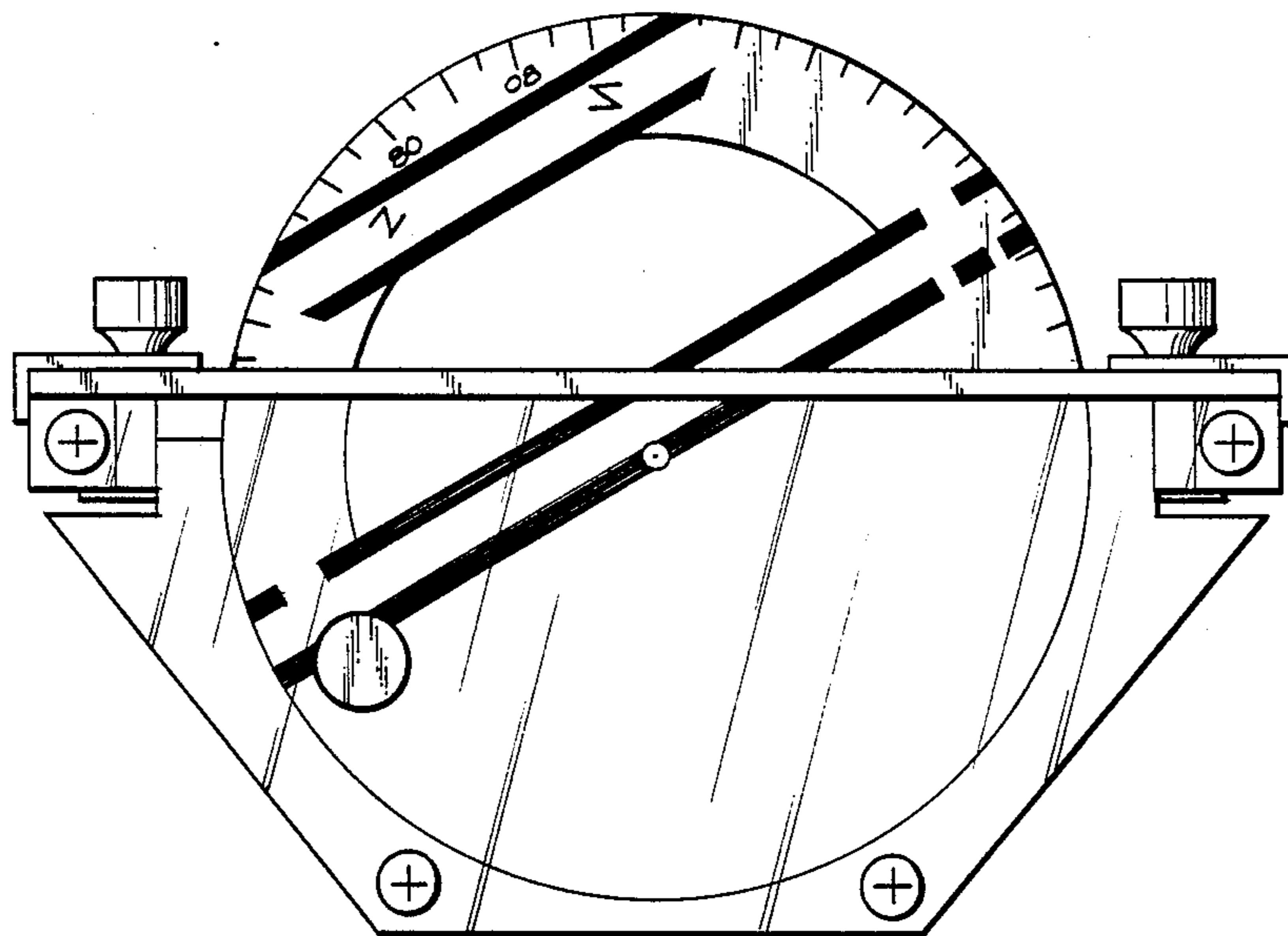


Fig. 1

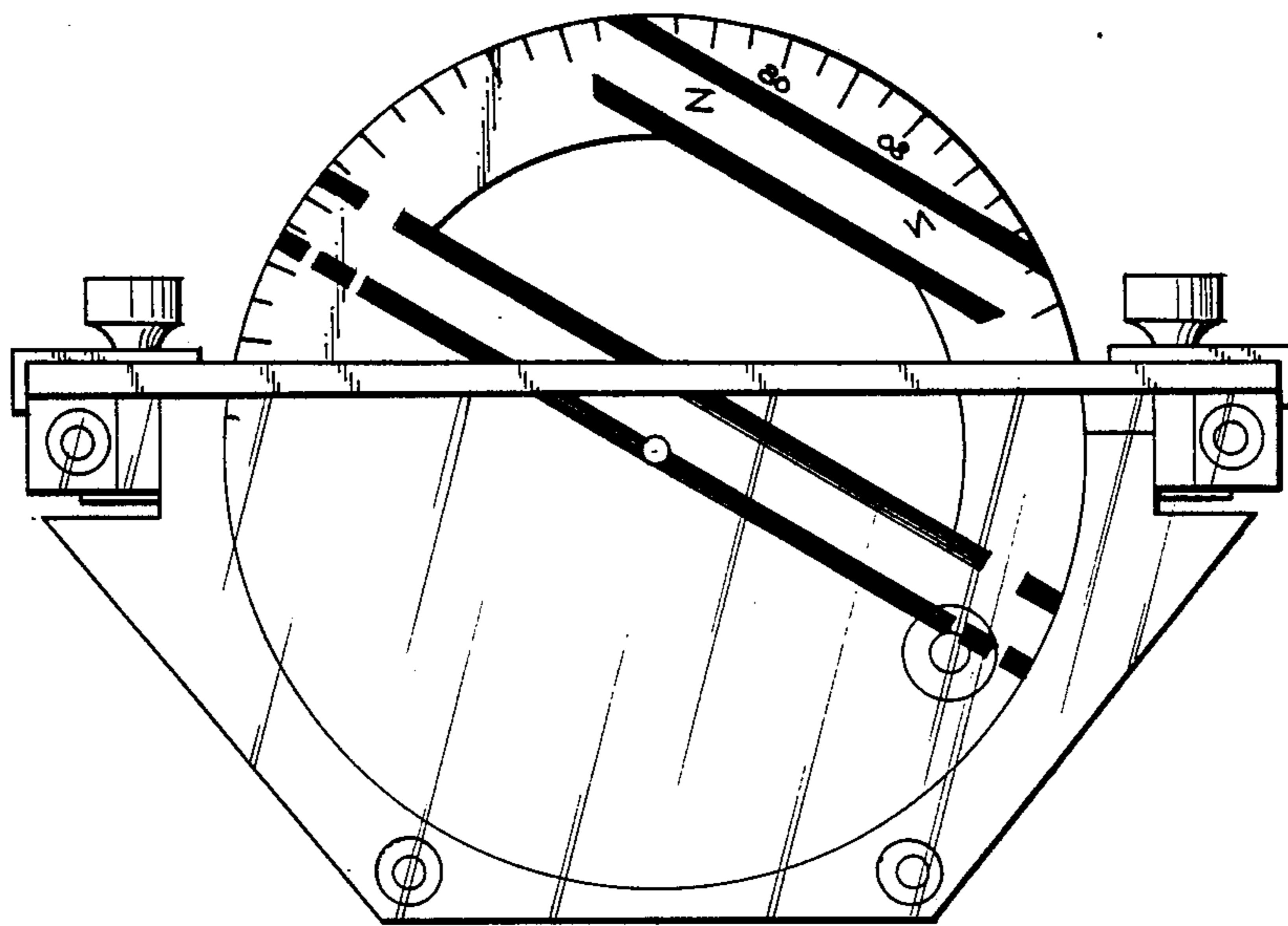


Fig. 2

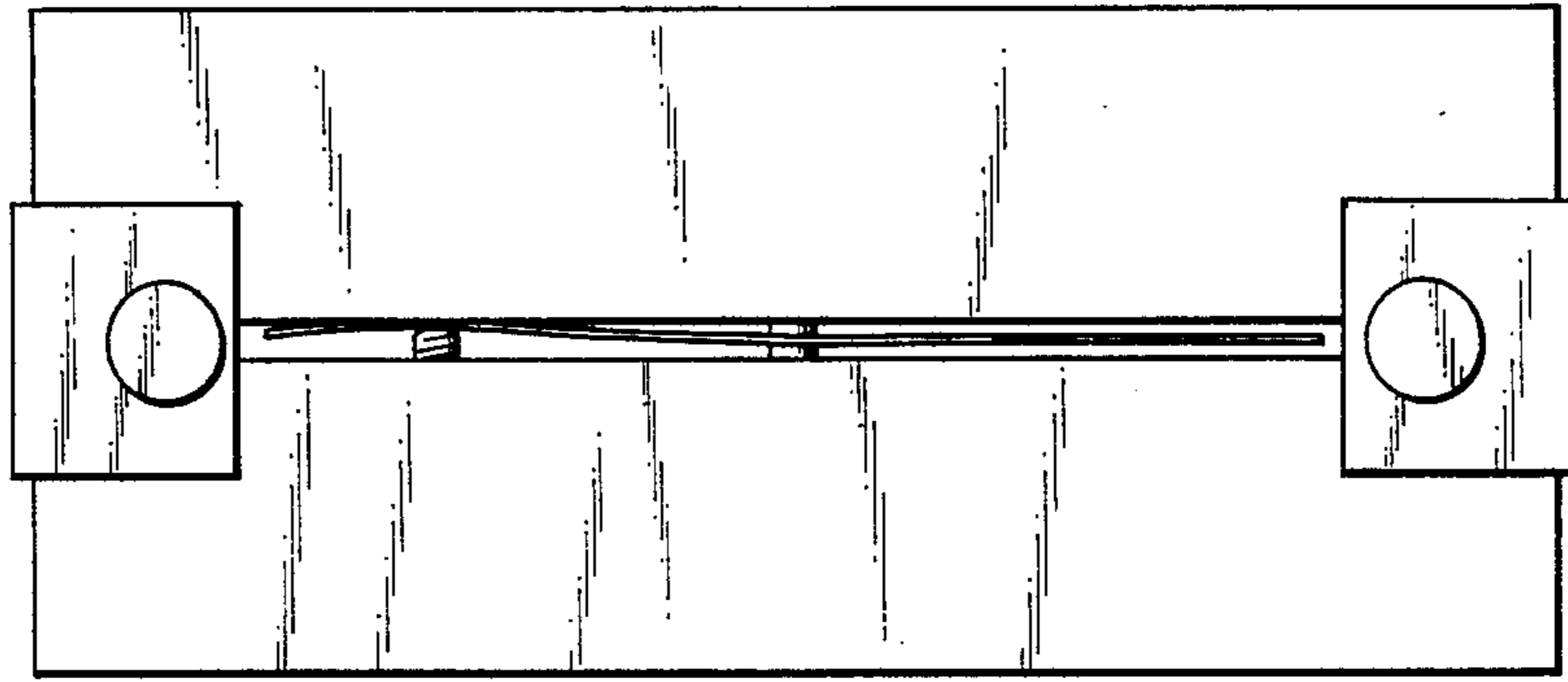


Fig. 3

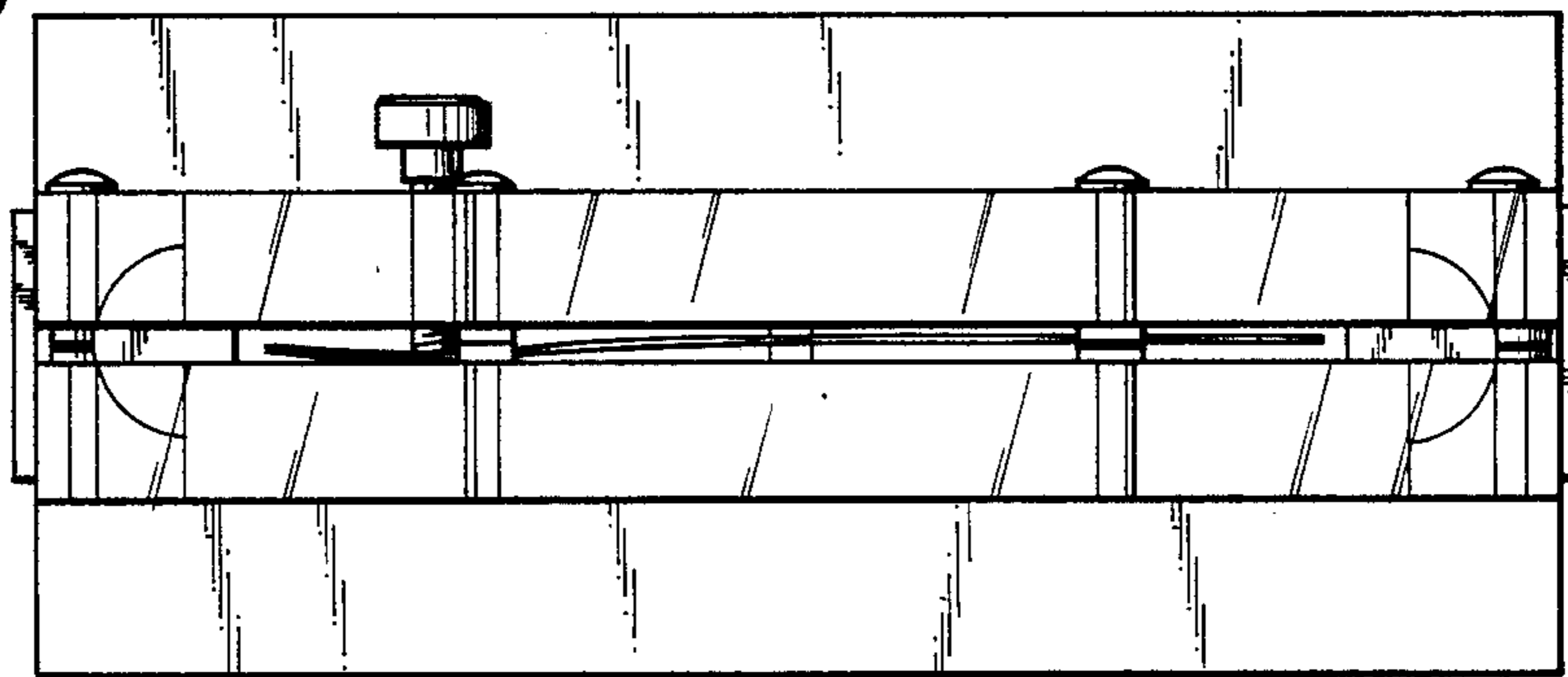


Fig. 4

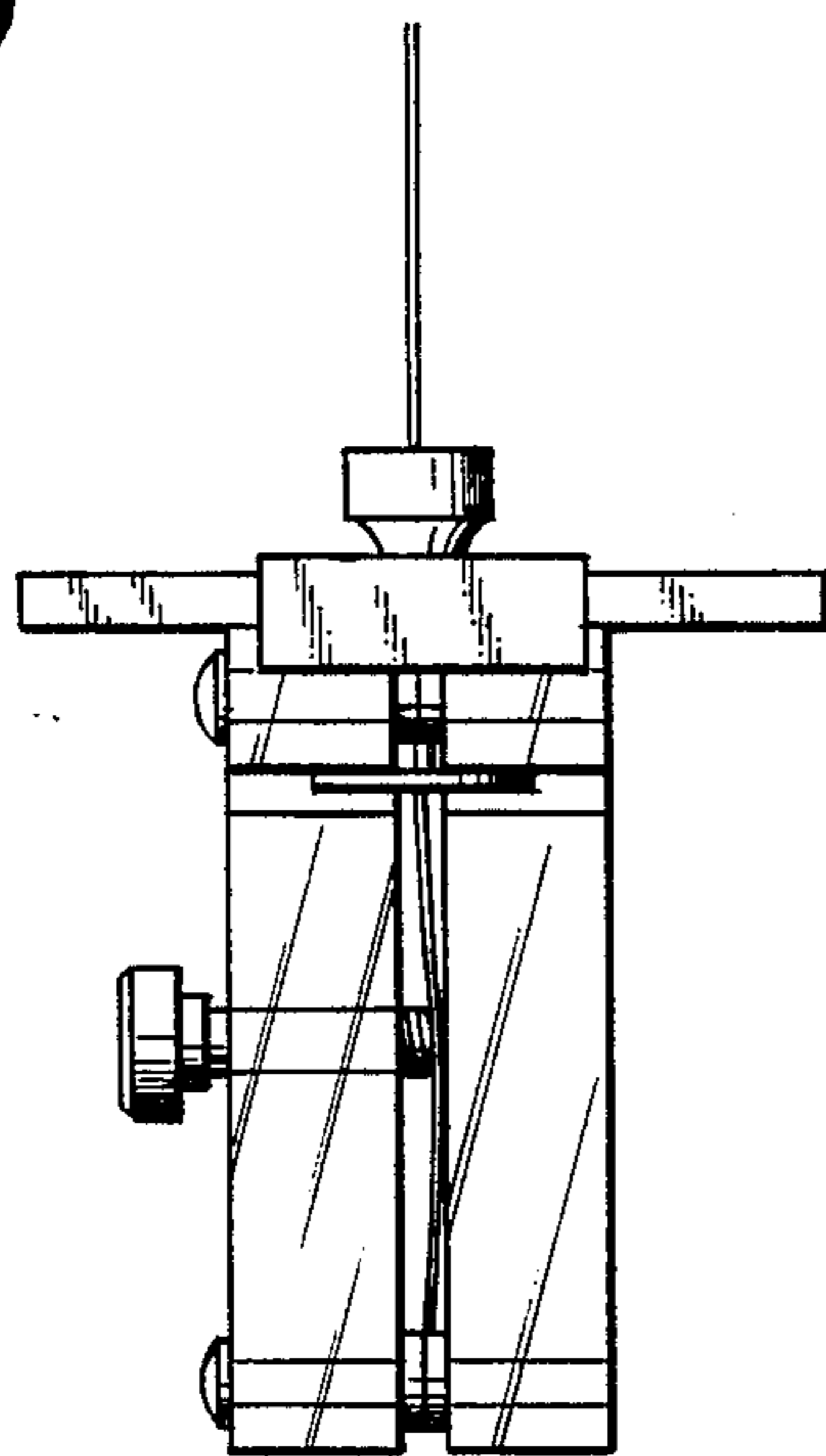


Fig. 5

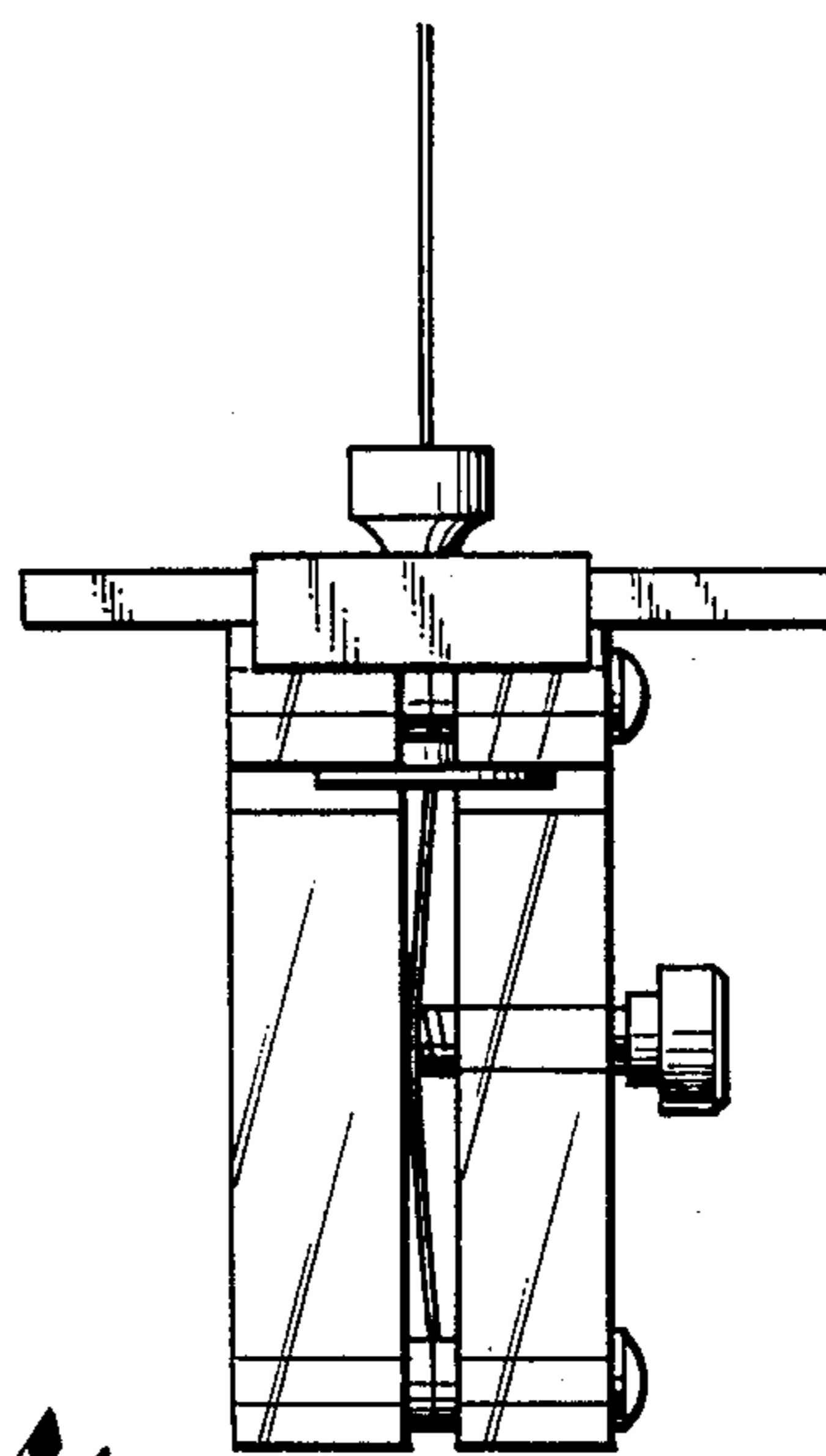


Fig. 6