

[54] SHAMPOO BASIN

[76] Inventor: Michael Phillips, P.O. Box 35395, Houston, Tex. 77235-5395

[**] Term: 14 Years

[21] Appl. No.: 318,380

[22] Filed: Mar. 6, 1989

Related U.S. Application Data

[63] Continuation of Ser. No. 826,723, Feb. 6, 1986.

[52] U.S. Cl. D23/289

[58] Field of Search D23/284-294; 4/515, 518, 519; D28/20

References Cited

U.S. PATENT DOCUMENTS

- D. 93,105 8/1934 Hudson D23/289
- D. 135,585 4/1943 Ellinger D23/289
- D. 174,042 2/1955 Kiefer D23/289

- D. 195,396 6/1963 Barkus D28/20
- D. 216,015 11/1969 Fidel D23/289
- D. 232,269 7/1974 Cates D28/20
- D. 261,170 10/1981 McFarlane D23/289
- 1,855,864 4/1932 Mjaaland et al. 4/519 X
- 1,898,314 2/1933 Sandhagen 4/519
- 2,194,804 3/1940 Mayhew 4/519

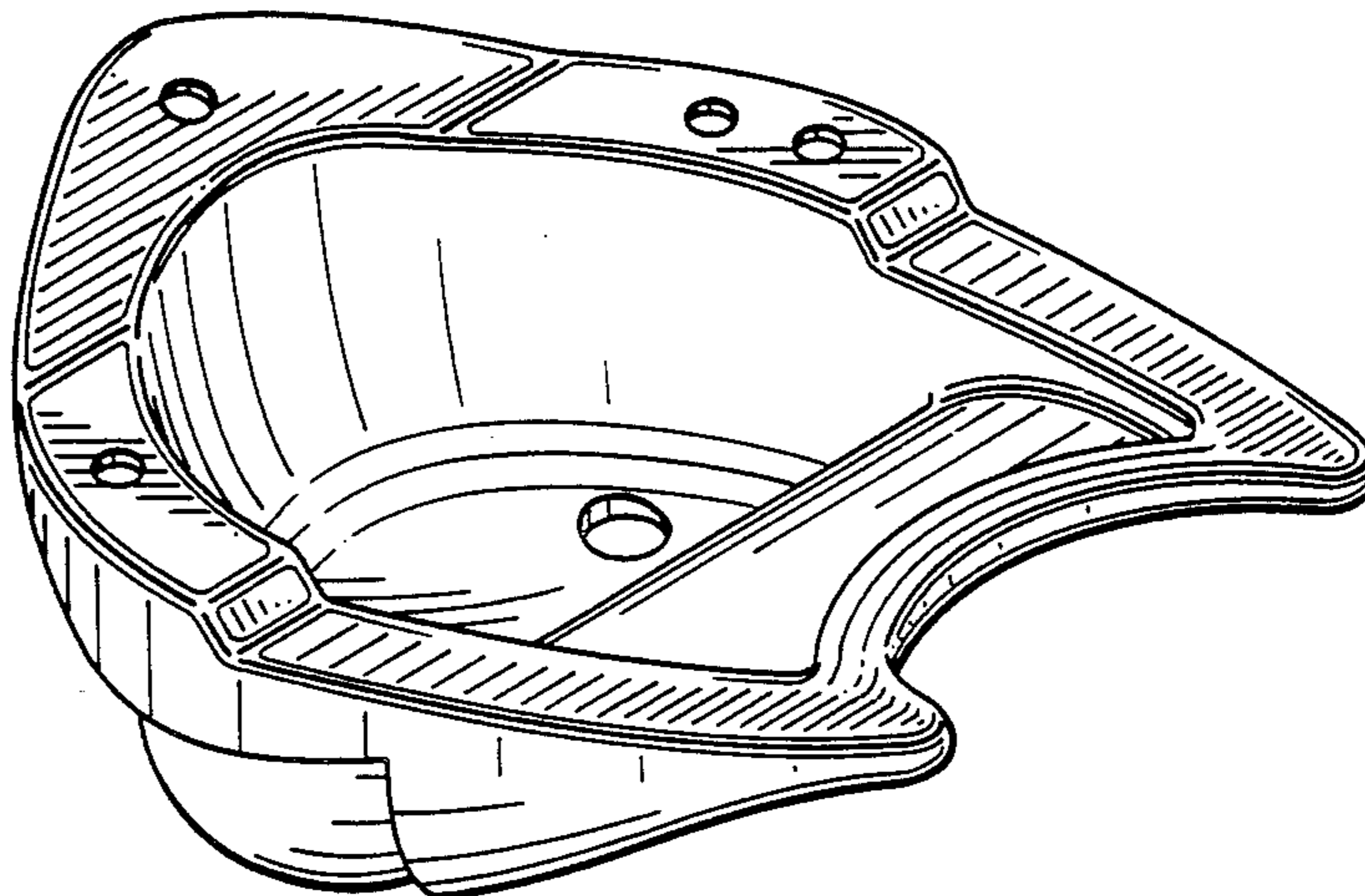
Primary Examiner—James R. Largen
Attorney, Agent, or Firm—Kirk, Bissex & Lindsay

[57] CLAIM

The ornamental design for a shampoo basin, as shown and described.

DESCRIPTION

FIG. 1 is an isometric view of a shampoo basin showing my new design;
FIG. 2 is a right side elevational view thereof, the left side being a mirror image of the right side shown;
FIG. 3 is a rear elevational view thereof; and
FIG. 4 is a bottom plan view thereof.



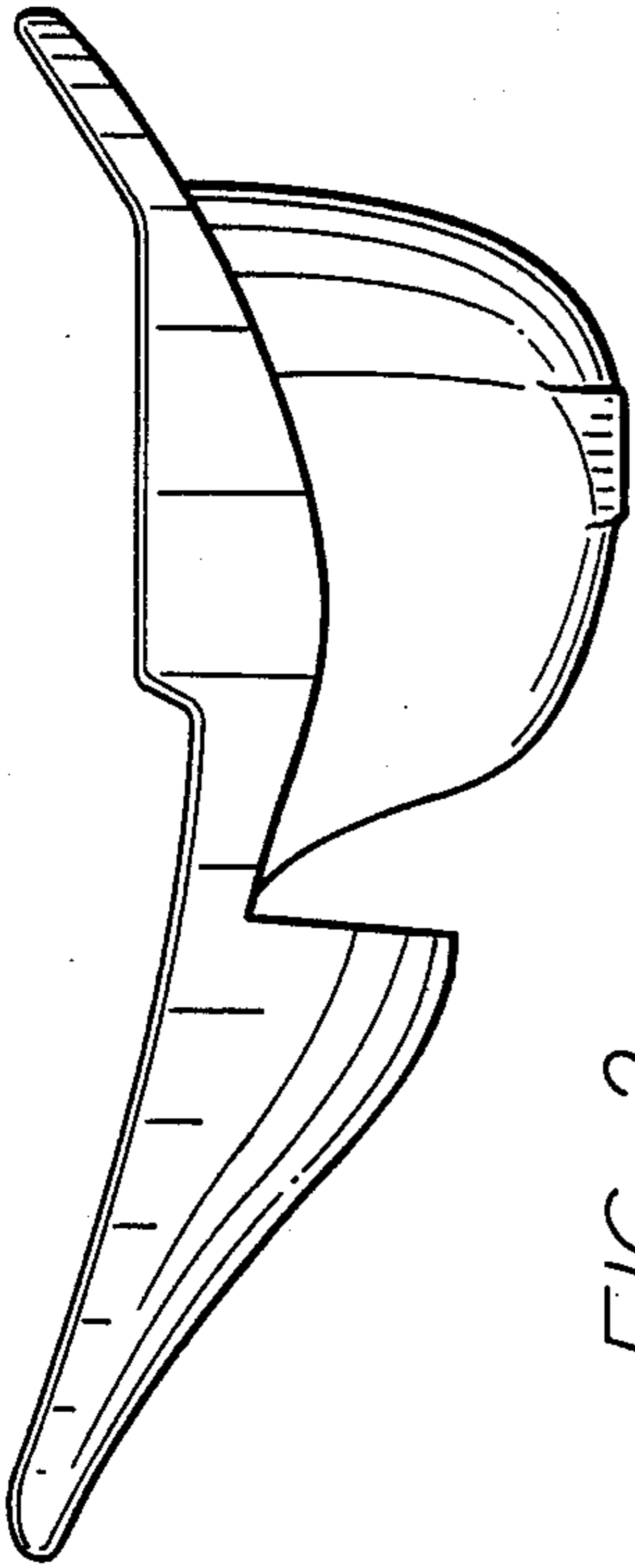


FIG. 2

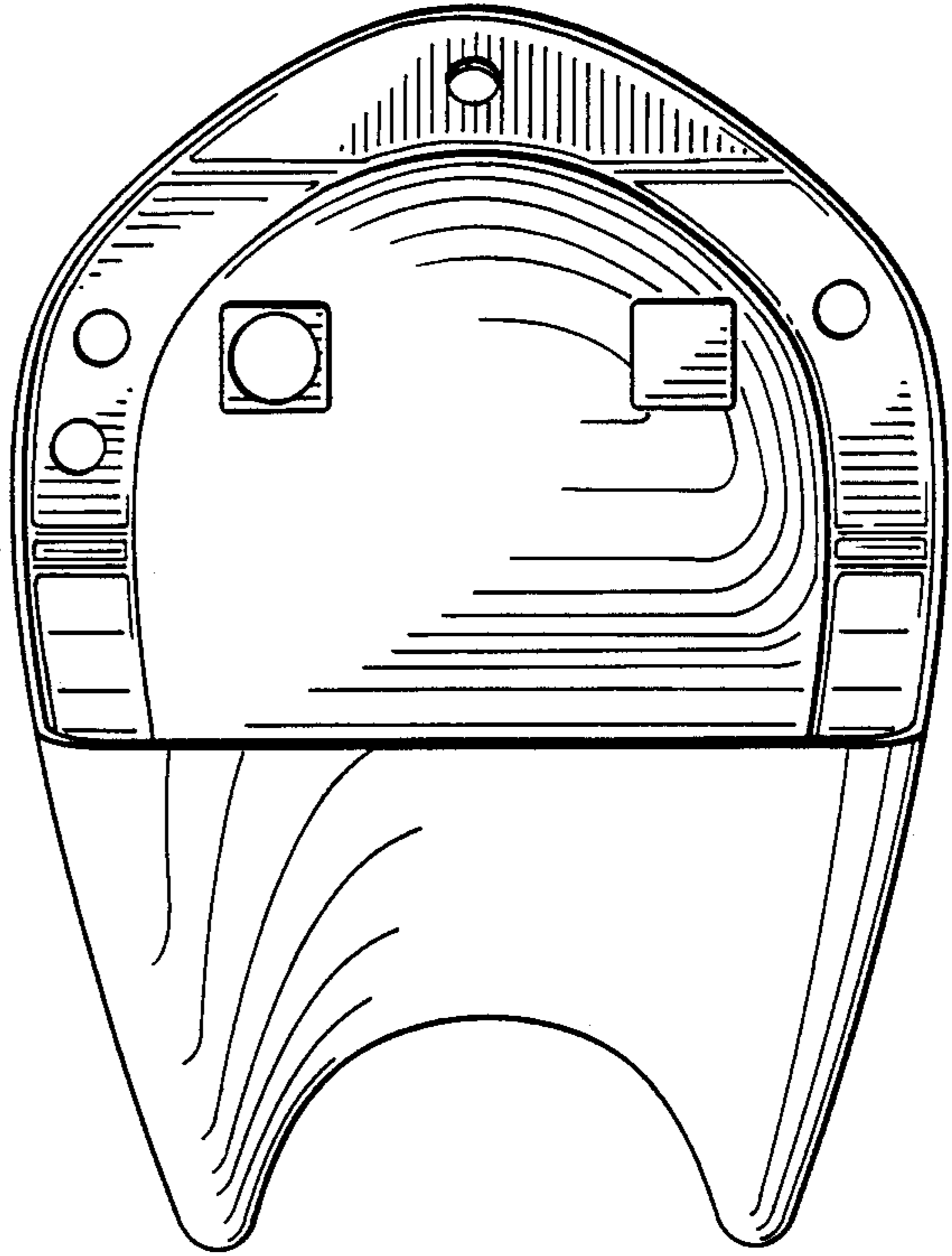


FIG. 4

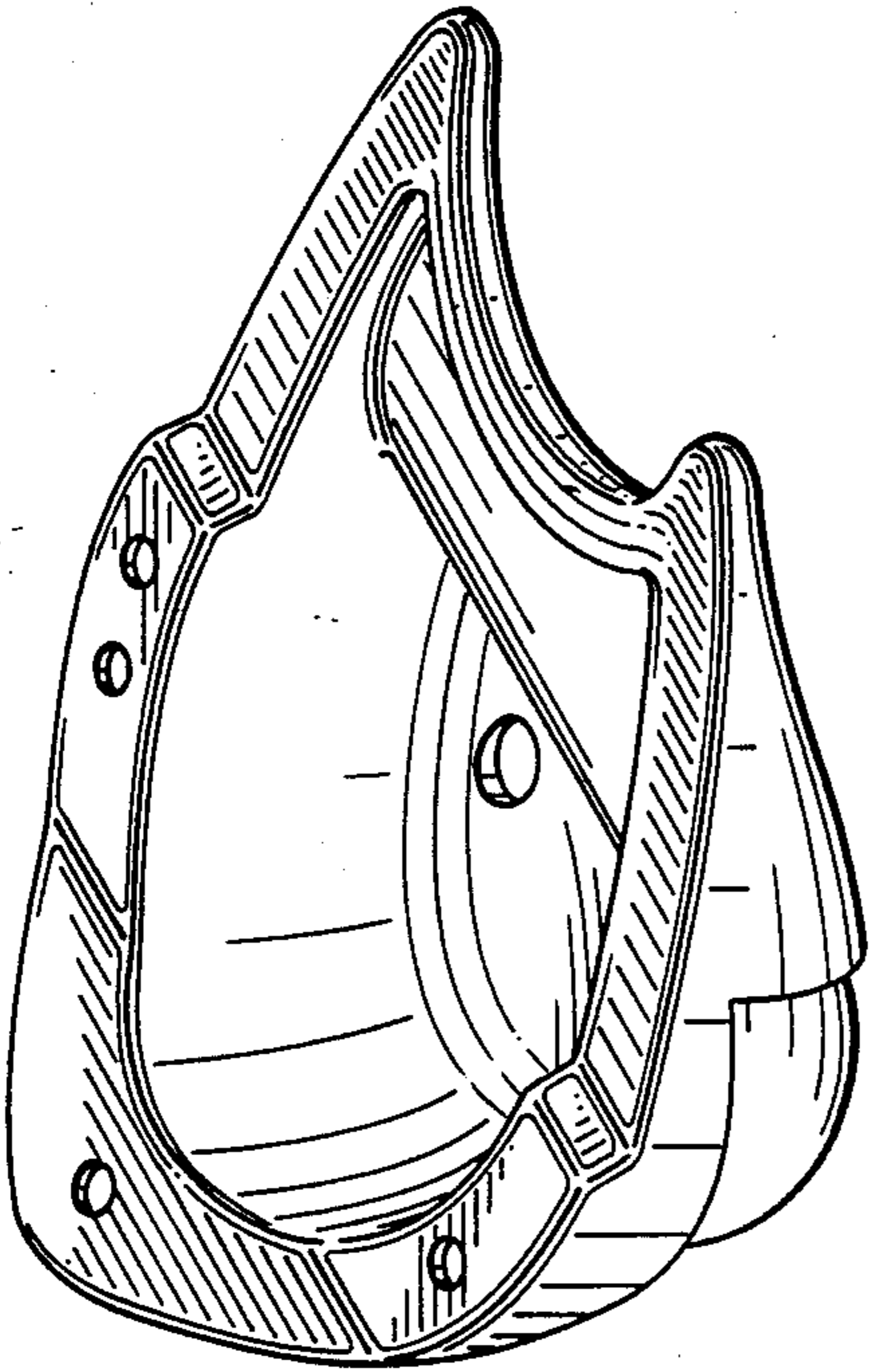


FIG. 1

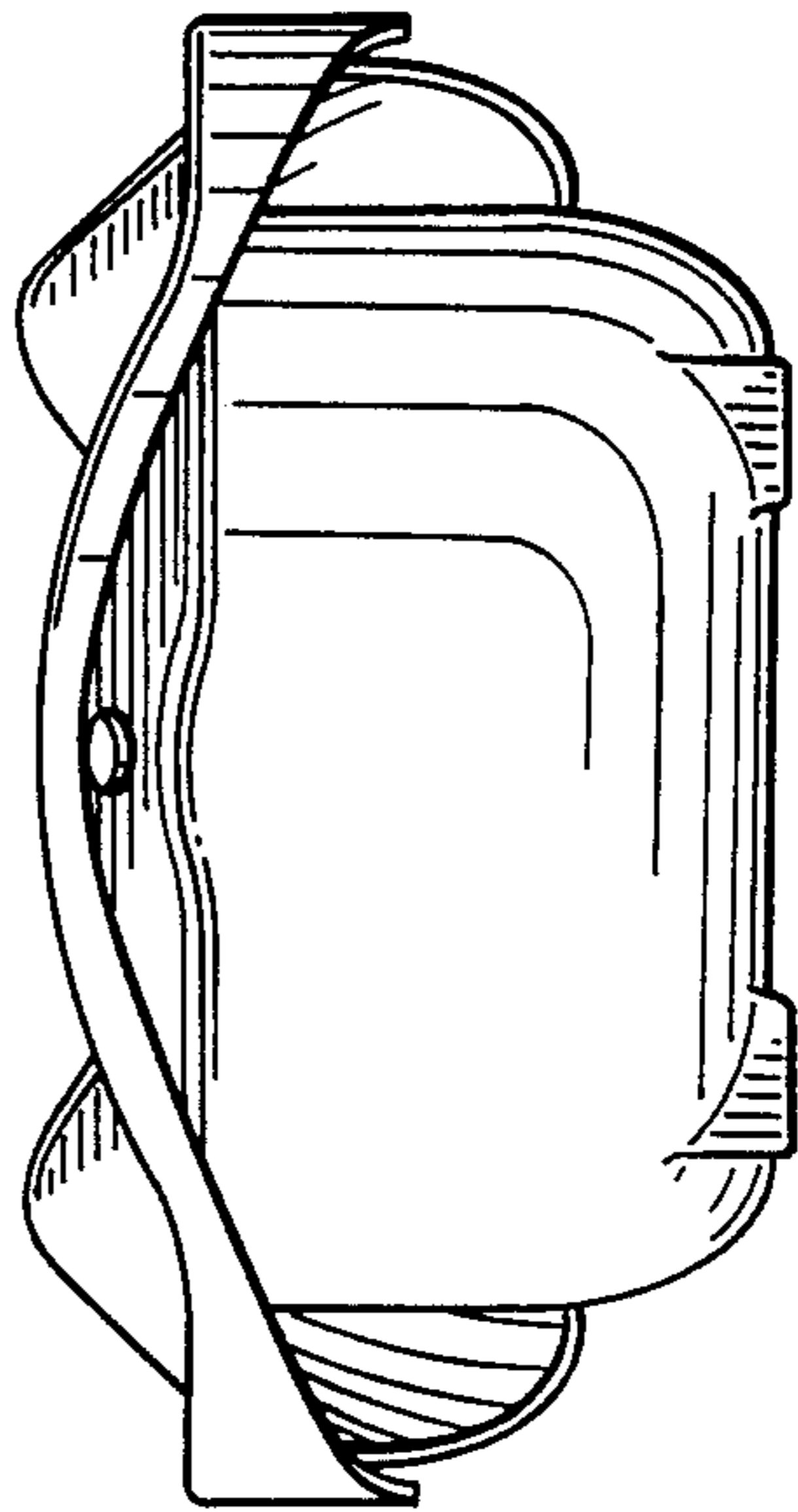


FIG. 3