

United States Patent [19]

Kameda

[11] Patent Number: **Des. 307,459**

[45] Date of Patent: **** Apr. 24, 1990**

[54] **REEL FOR FISHING**

[75] Inventor: **Yasuhisa Kameda, Musashino, Japan**

[73] Assignee: **Daiwa Seiko, Inc., Tokyo, Japan**

[**] Term: **14 Years**

[21] Appl. No.: **90,922**

[22] Filed: **Aug. 31, 1987**

[30] **Foreign Application Priority Data**

Mar. 4, 1987 [JP] Japan 8205/87

[52] U.S. Cl. **D22/141**

[58] Field of Search D22/141, 140; 242/230,
242/231, 232

[56] **References Cited**

U.S. PATENT DOCUMENTS

D. 270,933 10/1983 Iinuma D22/141

D. 281,346 11/1985 Iinuma et al. D22/141
D. 290,988 7/1987 Myojo D22/141
D. 300,766 4/1989 Iinuma D22/141

Primary Examiner—A. Hugo Word
Assistant Examiner—Doris V. Coles
Attorney, Agent, or Firm—Bacon & Thomas

[57] **CLAIM**

The ornamental design for a reel for fishing, as shown.

DESCRIPTION

FIG. 1 is a front perspective view of a reel for fishing showing my new design;

FIG. 2 is a rear perspective view thereof;

FIG. 3 is a front elevational view thereof;

FIG. 4 is a right side elevational view thereof;

FIG. 5 is a rear elevational view thereof;

FIG. 6 is a left side elevational view thereof;

FIG. 7 is a bottom plan view thereof; and

FIG. 8 is a top plan view thereof.

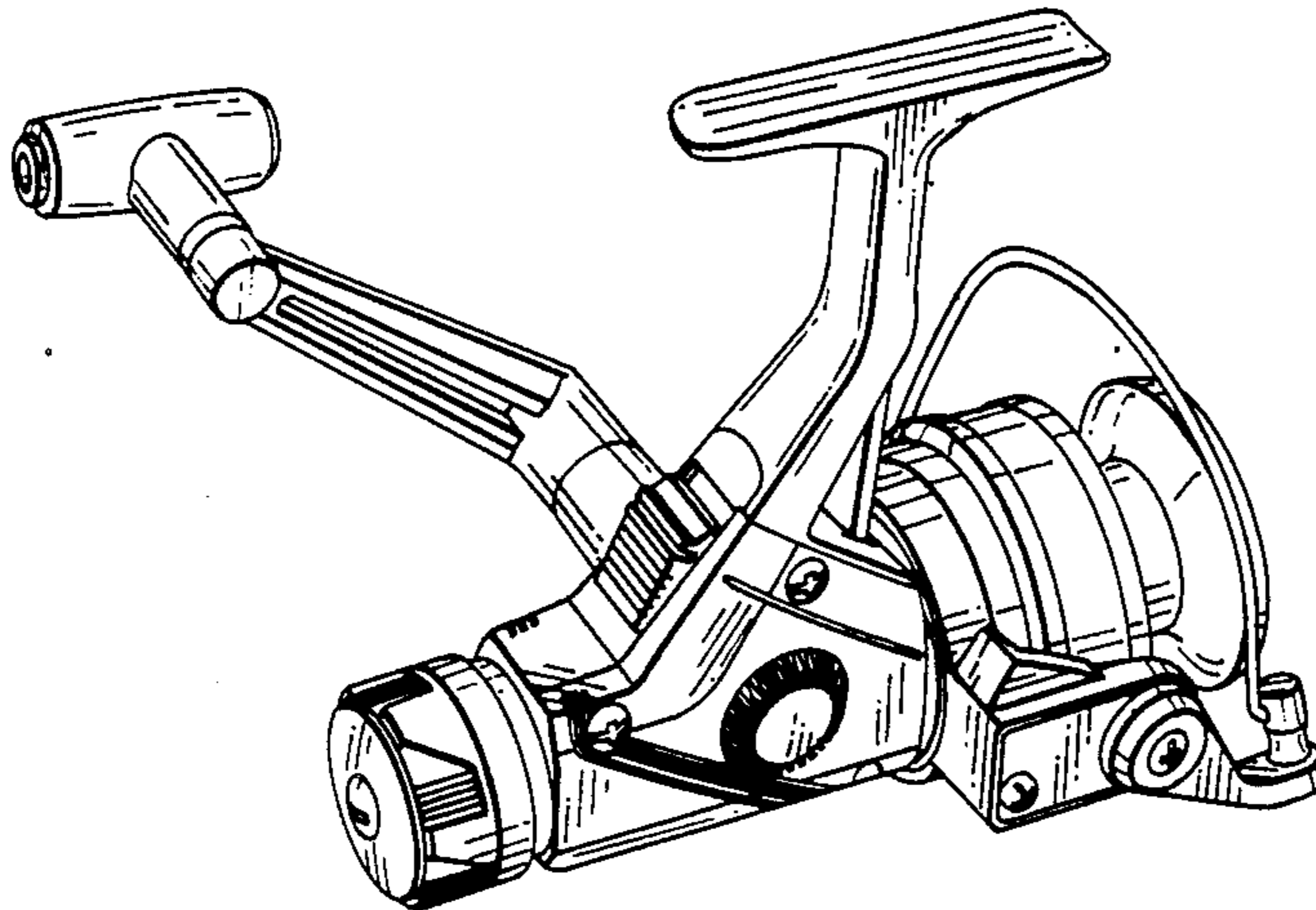


FIG. 1

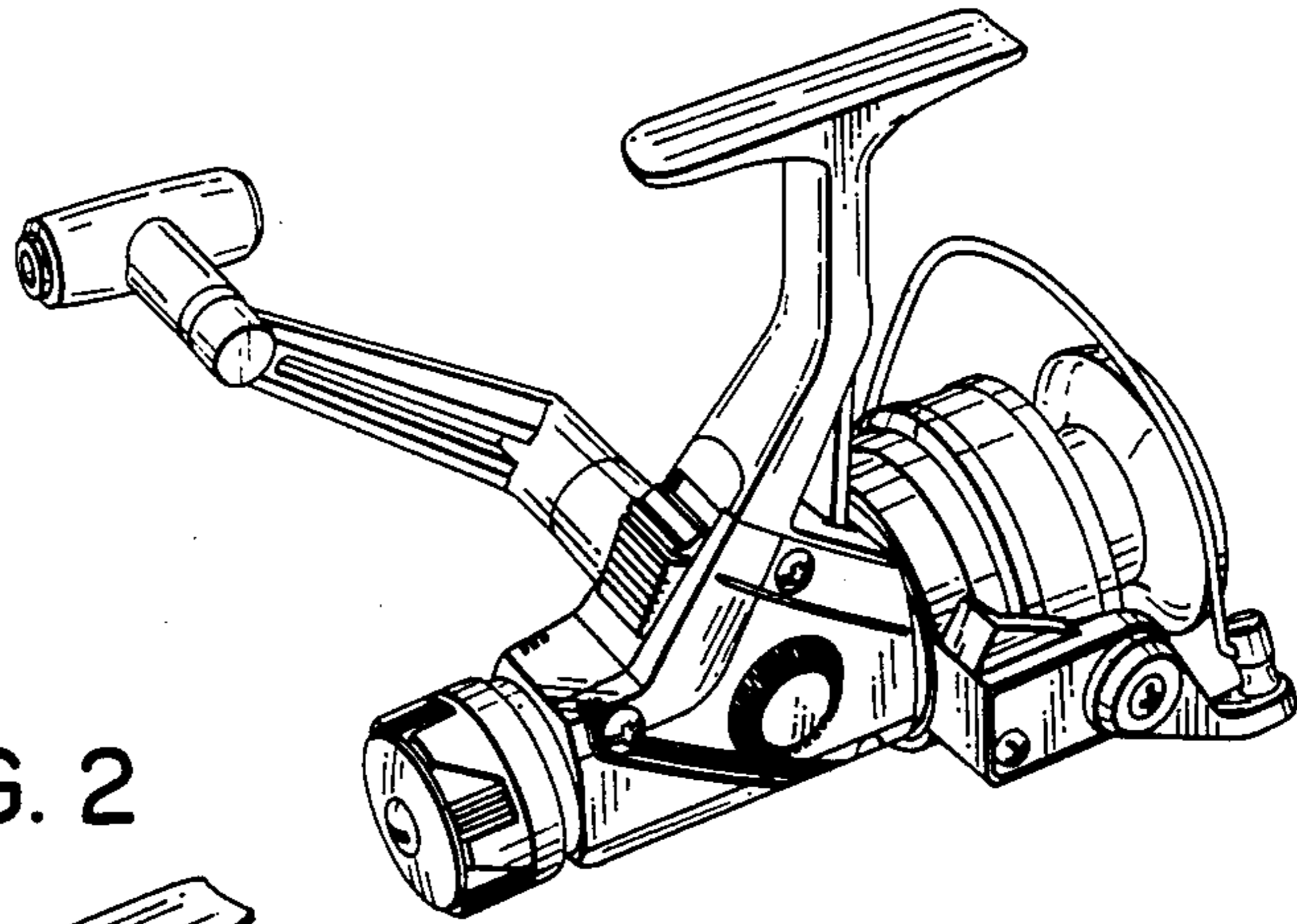


FIG. 2

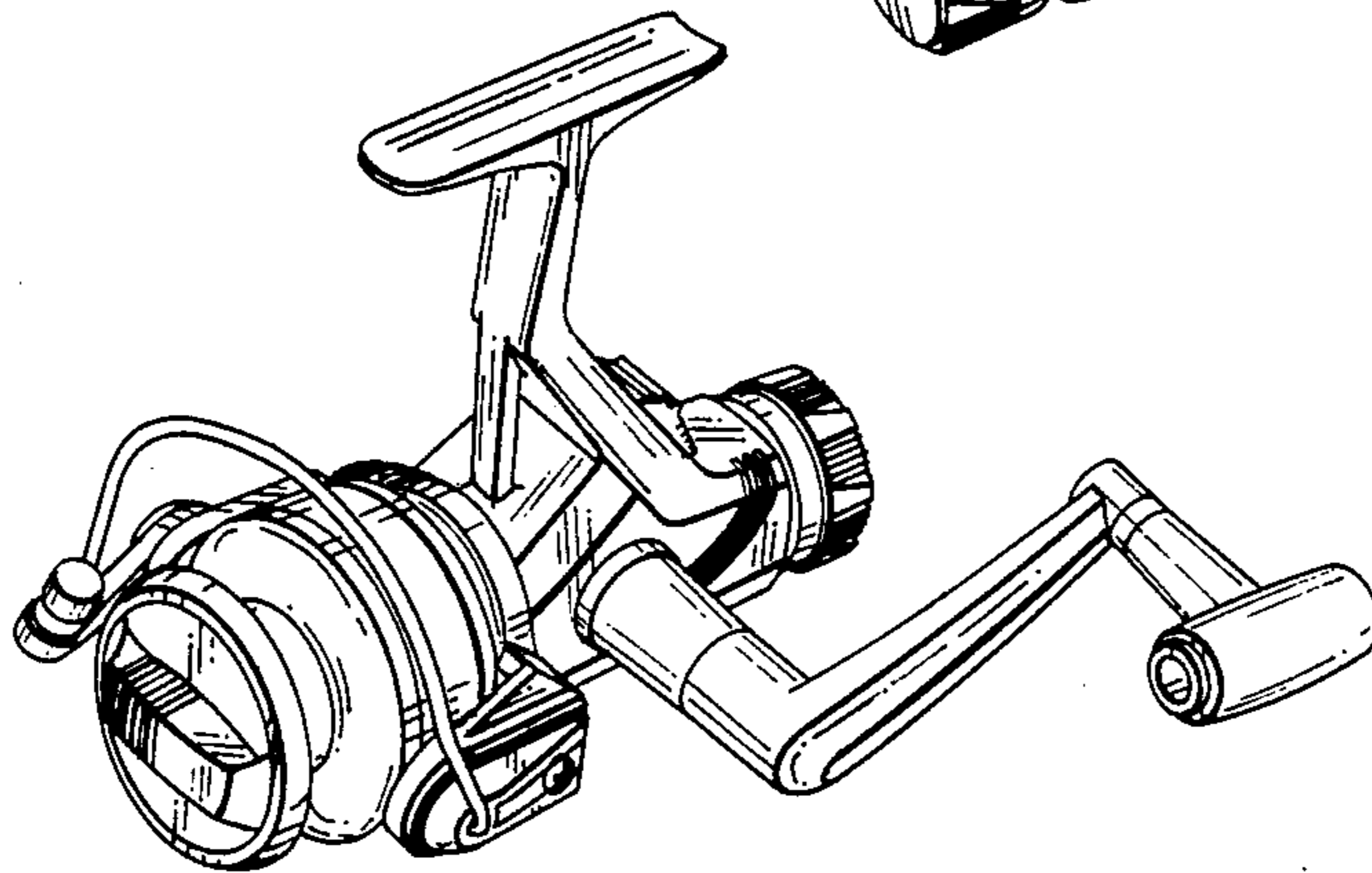


FIG. 3

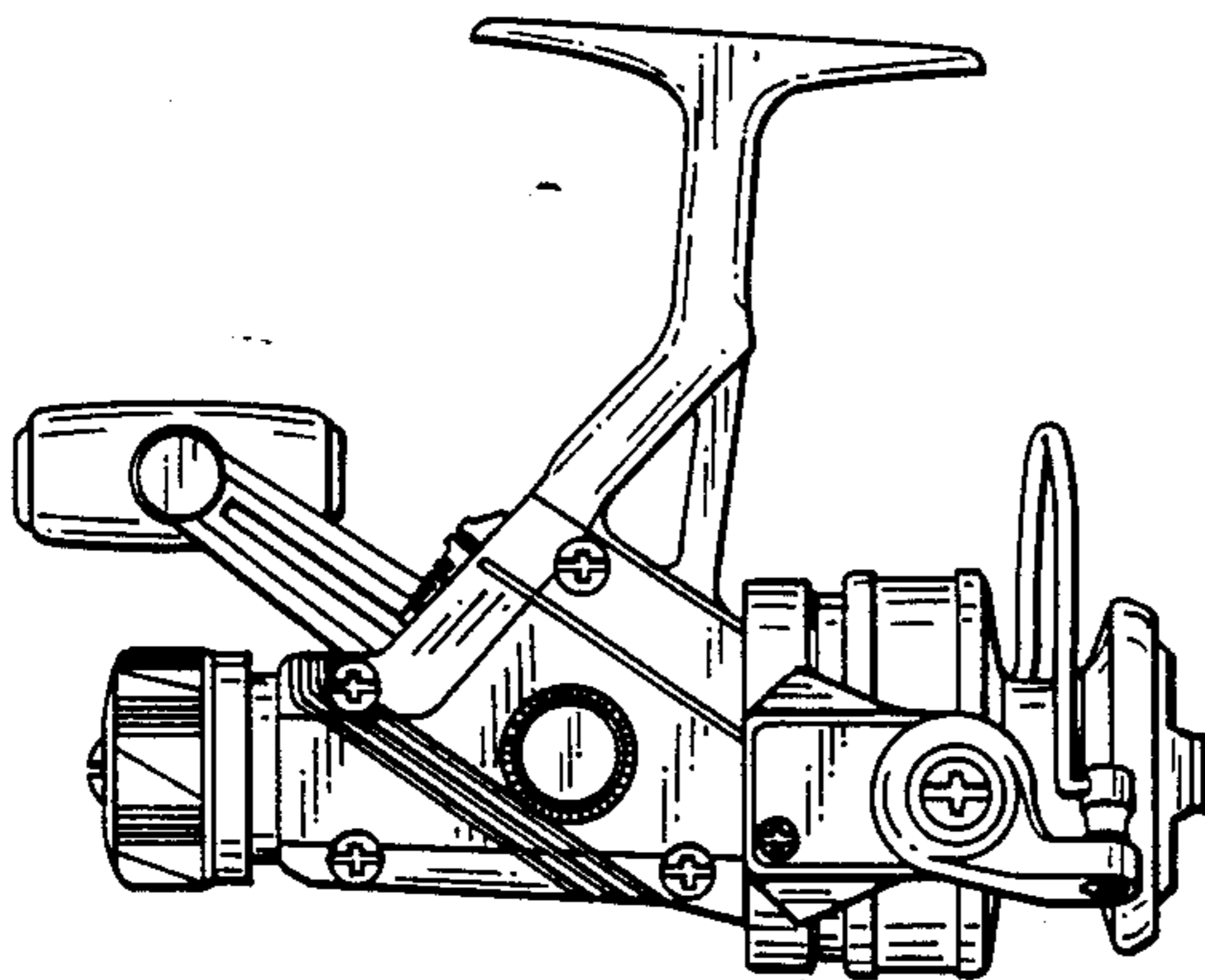


FIG. 4

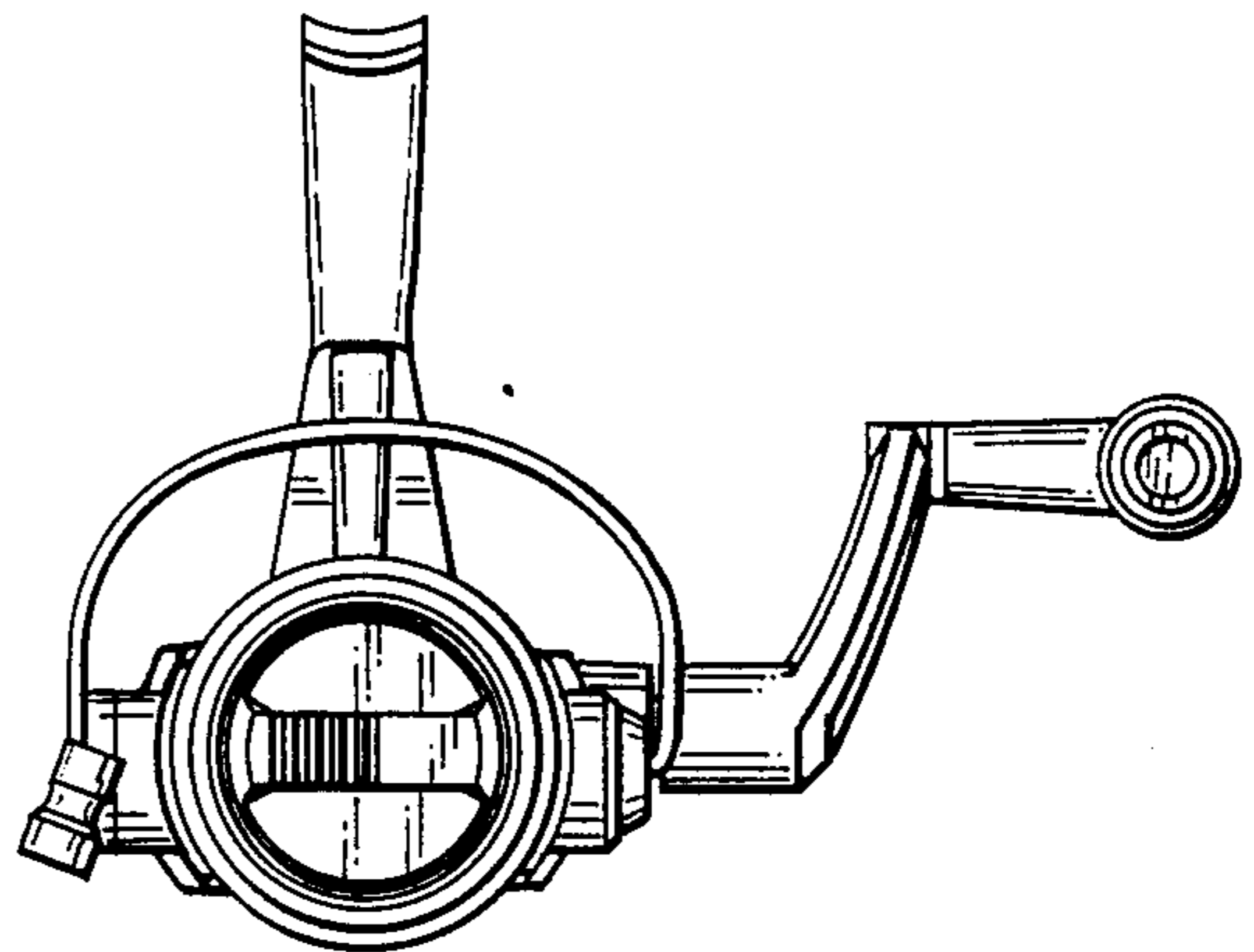


FIG. 5

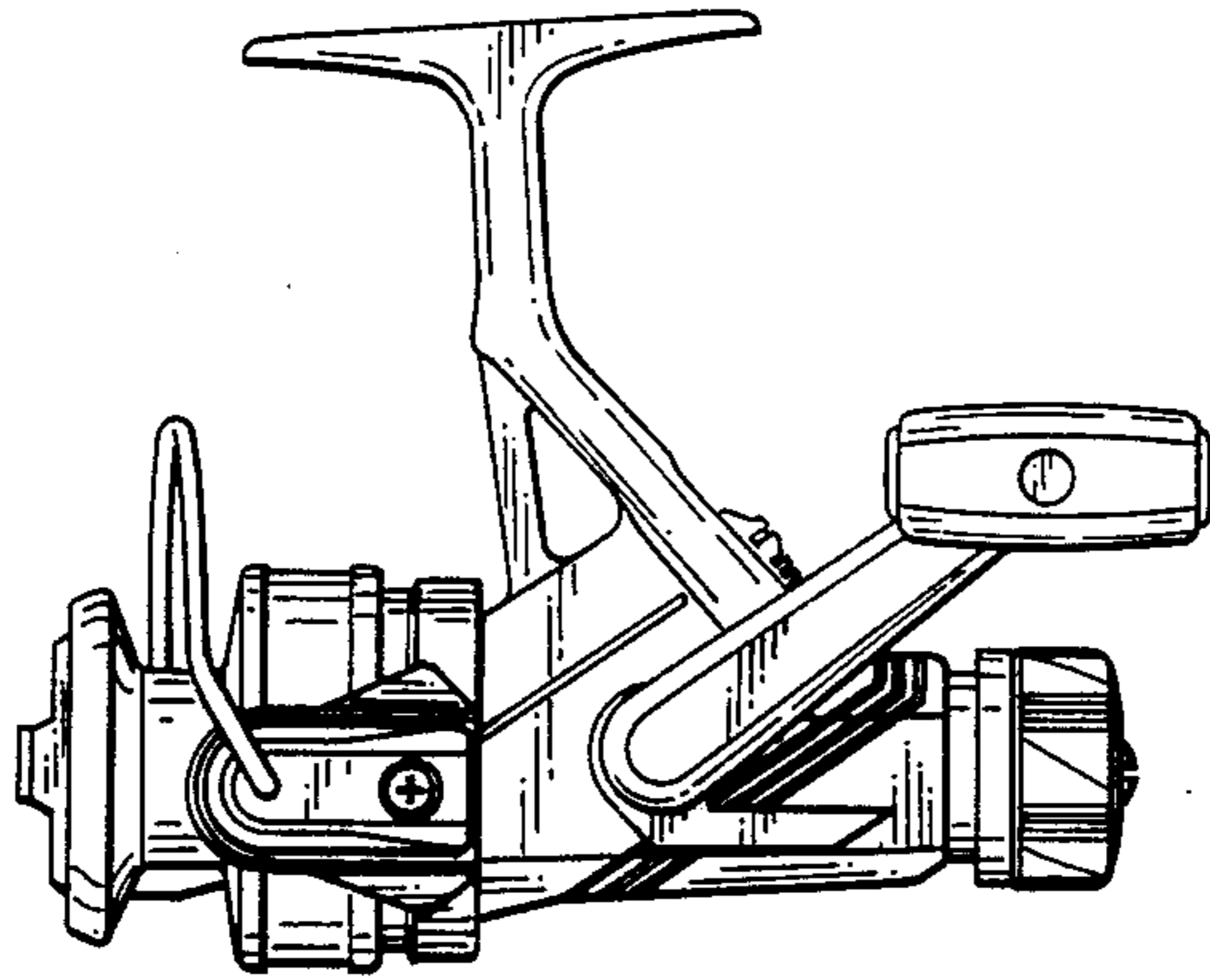


FIG. 6

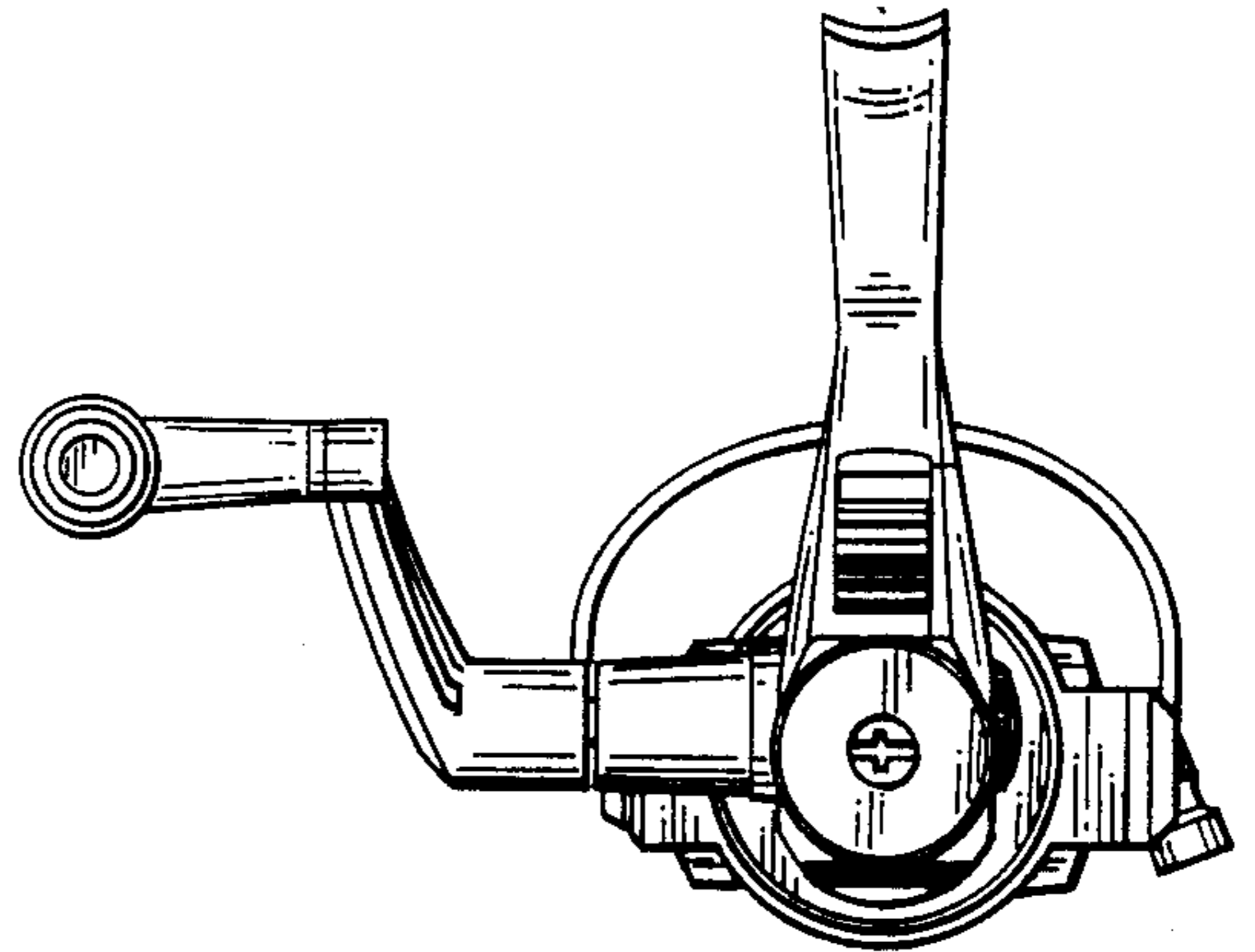


FIG. 7

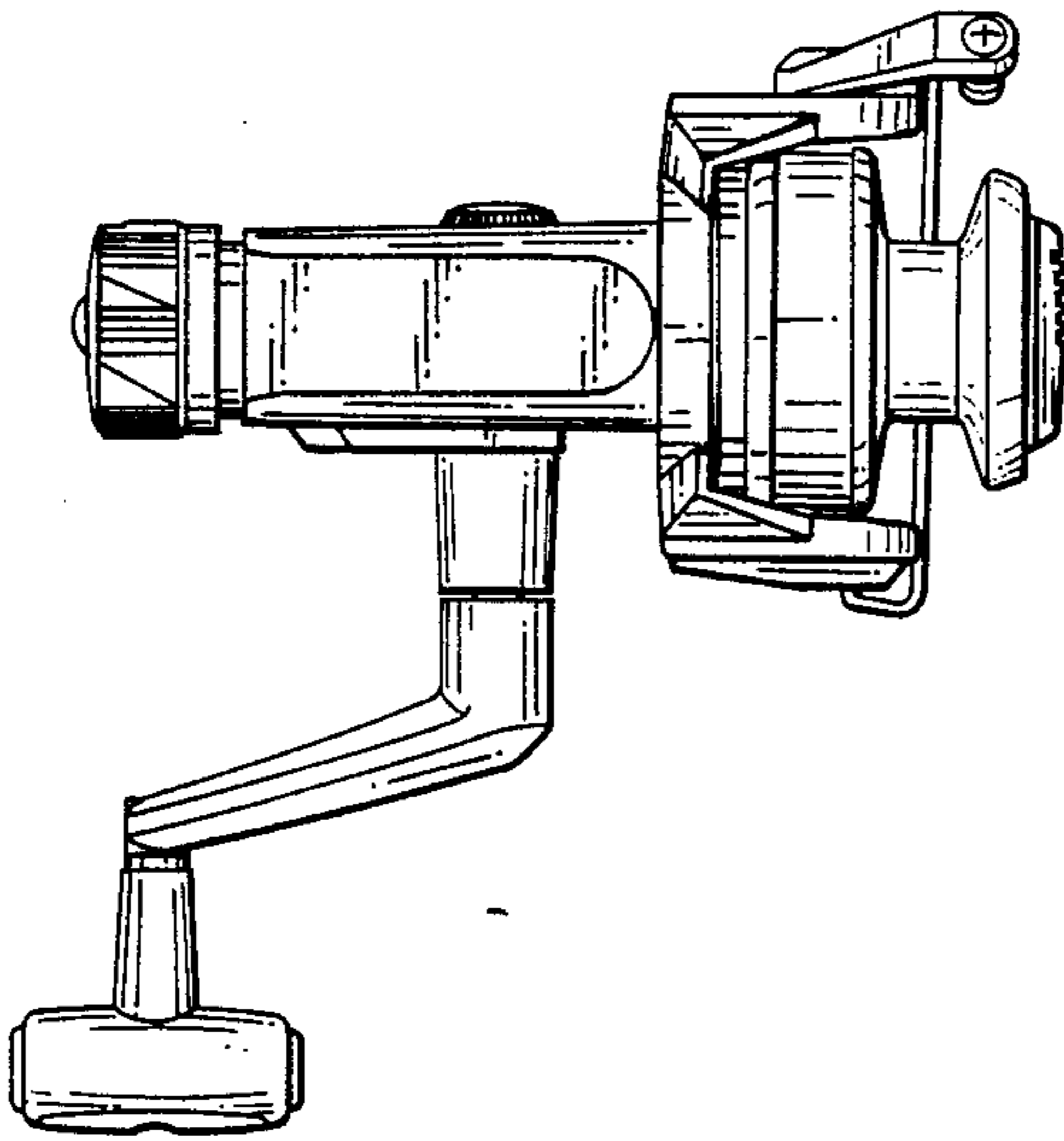


FIG. 8

