

[54] REEL FOR FISHING

[75] Inventor: Kanji Iinuma, Musashino, Japan

[73] Assignee: Daiwa Seiko, Inc., Tokyo, Japan

[**] Term: 14 Years

[21] Appl. No.: 90,921

[22] Filed: Aug. 31, 1987

[30] Foreign Application Priority Data

Mar. 4, 1987 [JP] Japan 8206/87

[52] U.S. Cl. D22/141

[58] Field of Search D22/141, 140; 242/230, 242/231, 232

[56] References Cited

U.S. PATENT DOCUMENTS

D. 281,189 10/1985 Hiraishi et al. D22/141

D. 281,347 11/1985 Iinuma et al. D22/141
D. 283,721 5/1986 Iinuma et al. D22/141

Primary Examiner—A. Hugo Word
Assistant Examiner—Doris V. Coles
Attorney, Agent, or Firm—Bacon & Thomas

[57] CLAIM

The ornamental design for a reel for fishing, as shown.

DESCRIPTION

FIG. 1 is a front perspective view of a reel for fishing showing my new design;

FIG. 2 is a rear perspective view thereof;

FIG. 3 is a front elevational view thereof;

FIG. 4 is a right side elevational view thereof;

FIG. 5 is a rear elevational view thereof;

FIG. 6 is a left side elevational view thereof;

FIG. 7 is a bottom plan view thereof; and

FIG. 8 is a top plan view thereof.

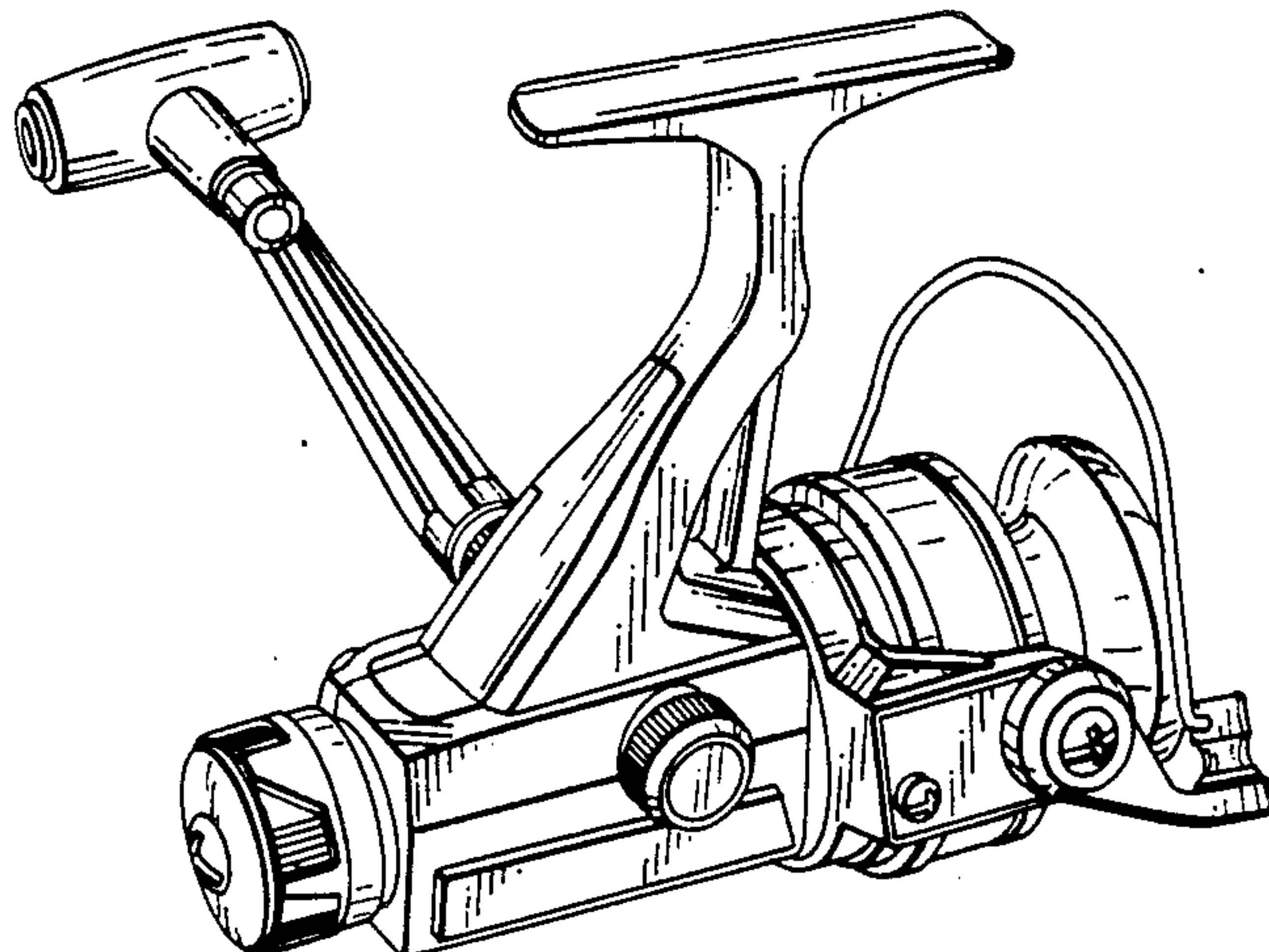


FIG. 1

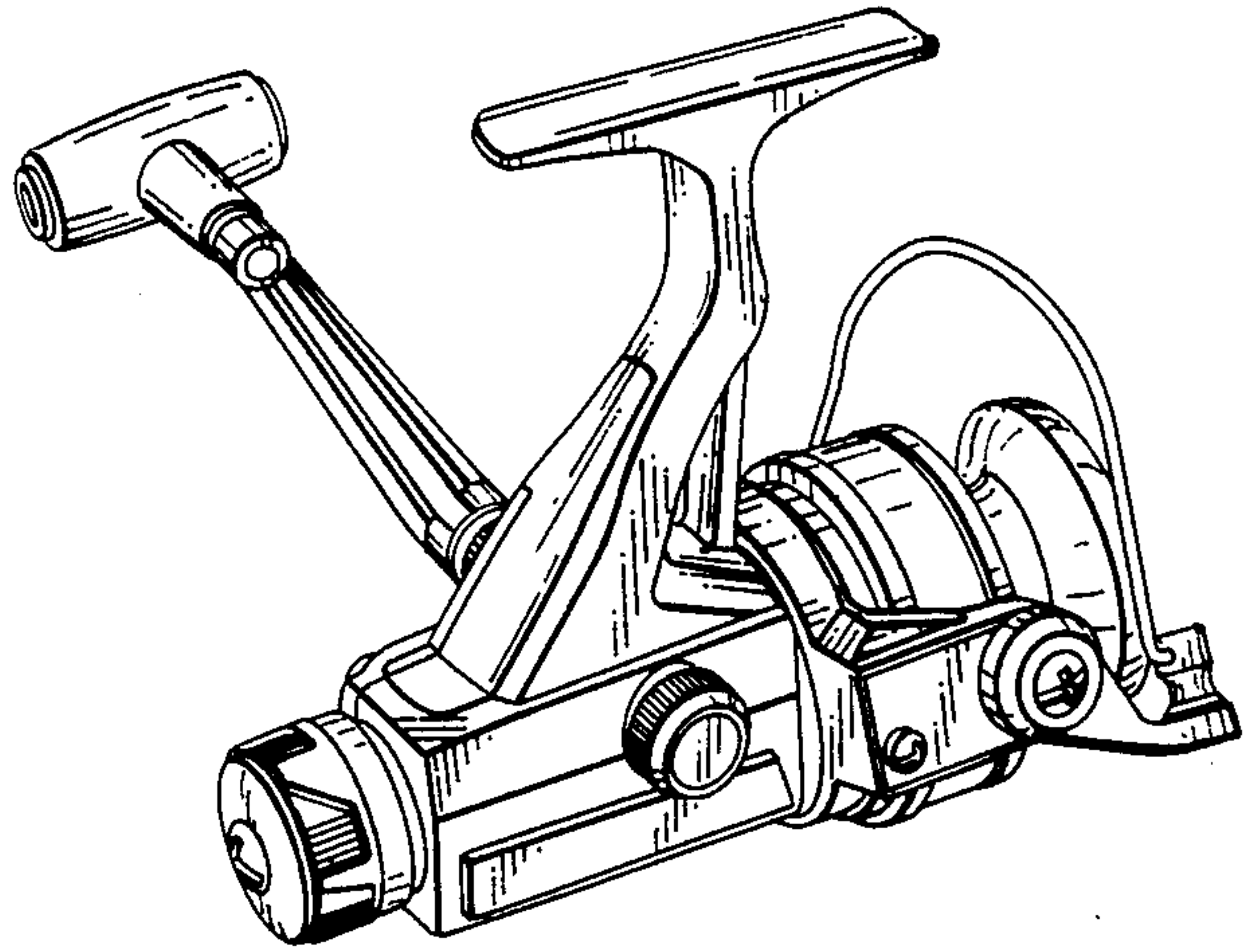


FIG. 2

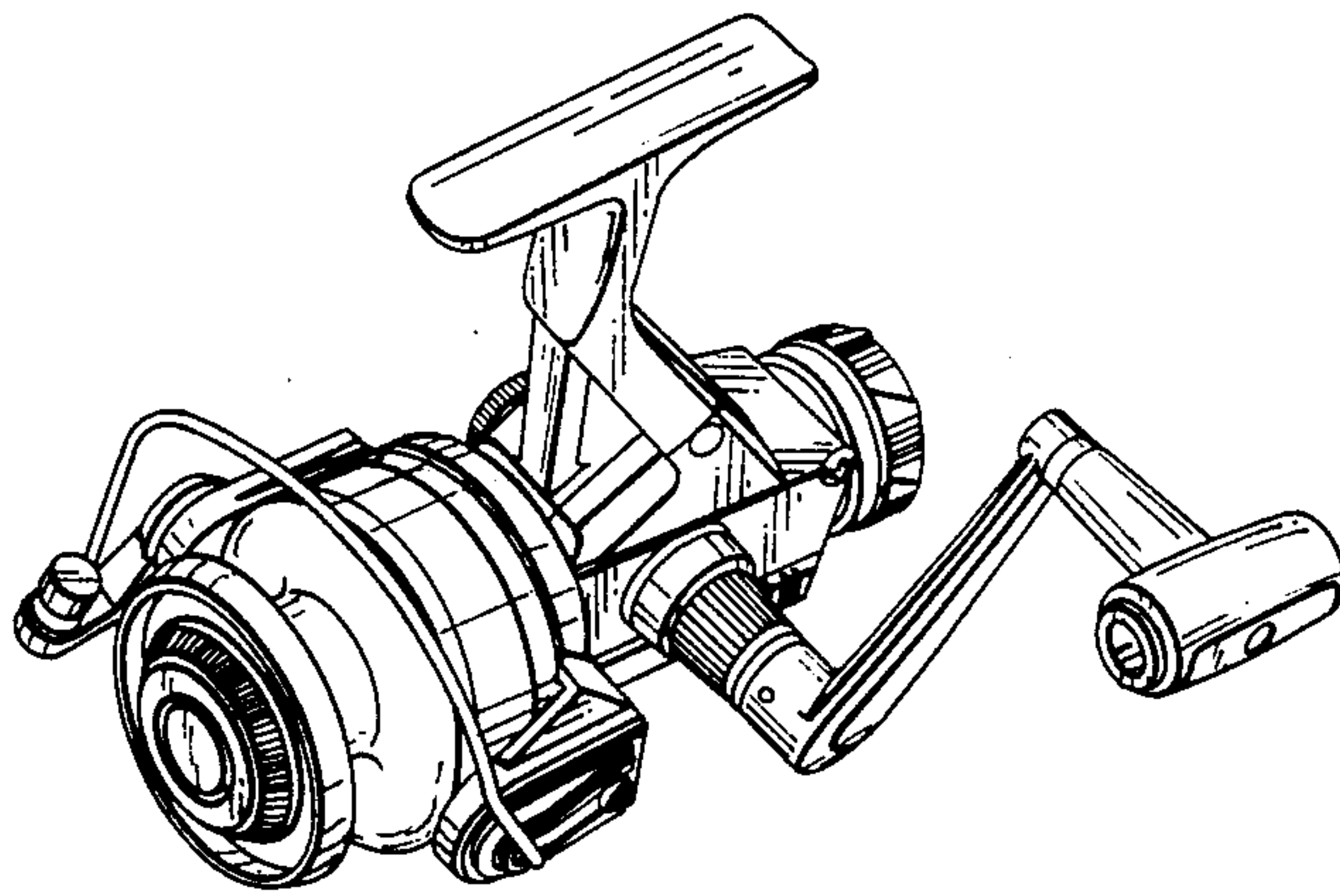


FIG. 3

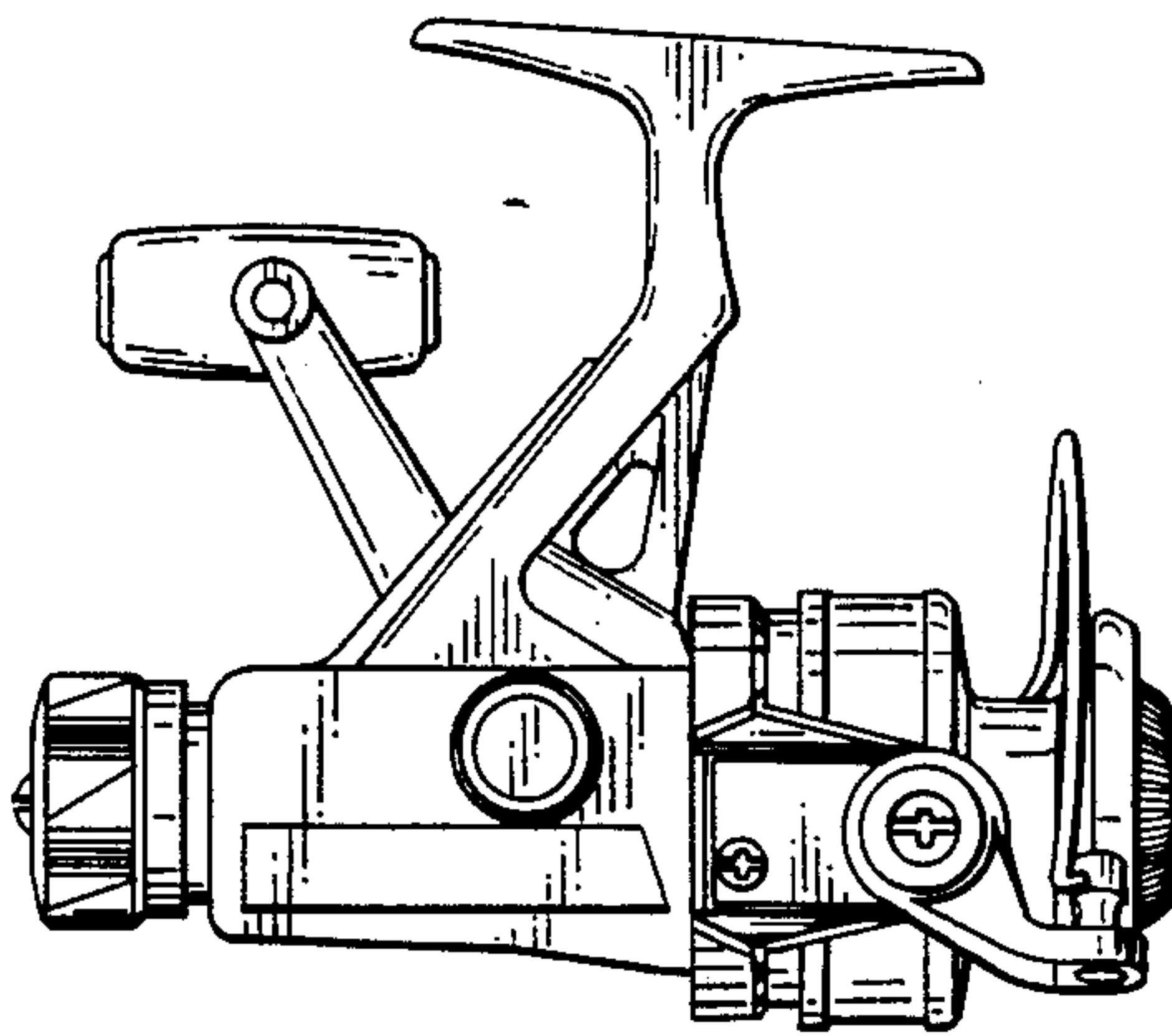


FIG. 4

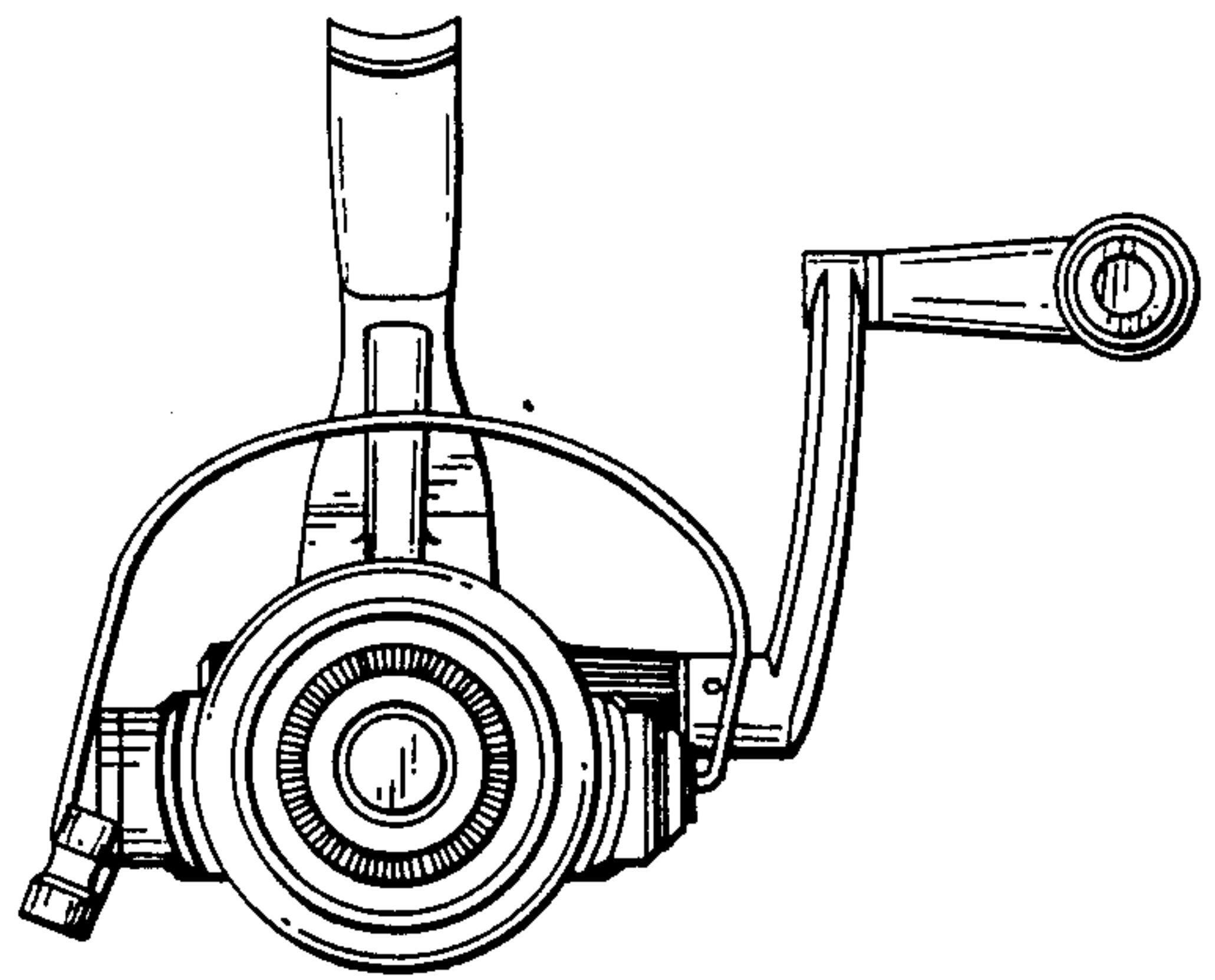


FIG. 5

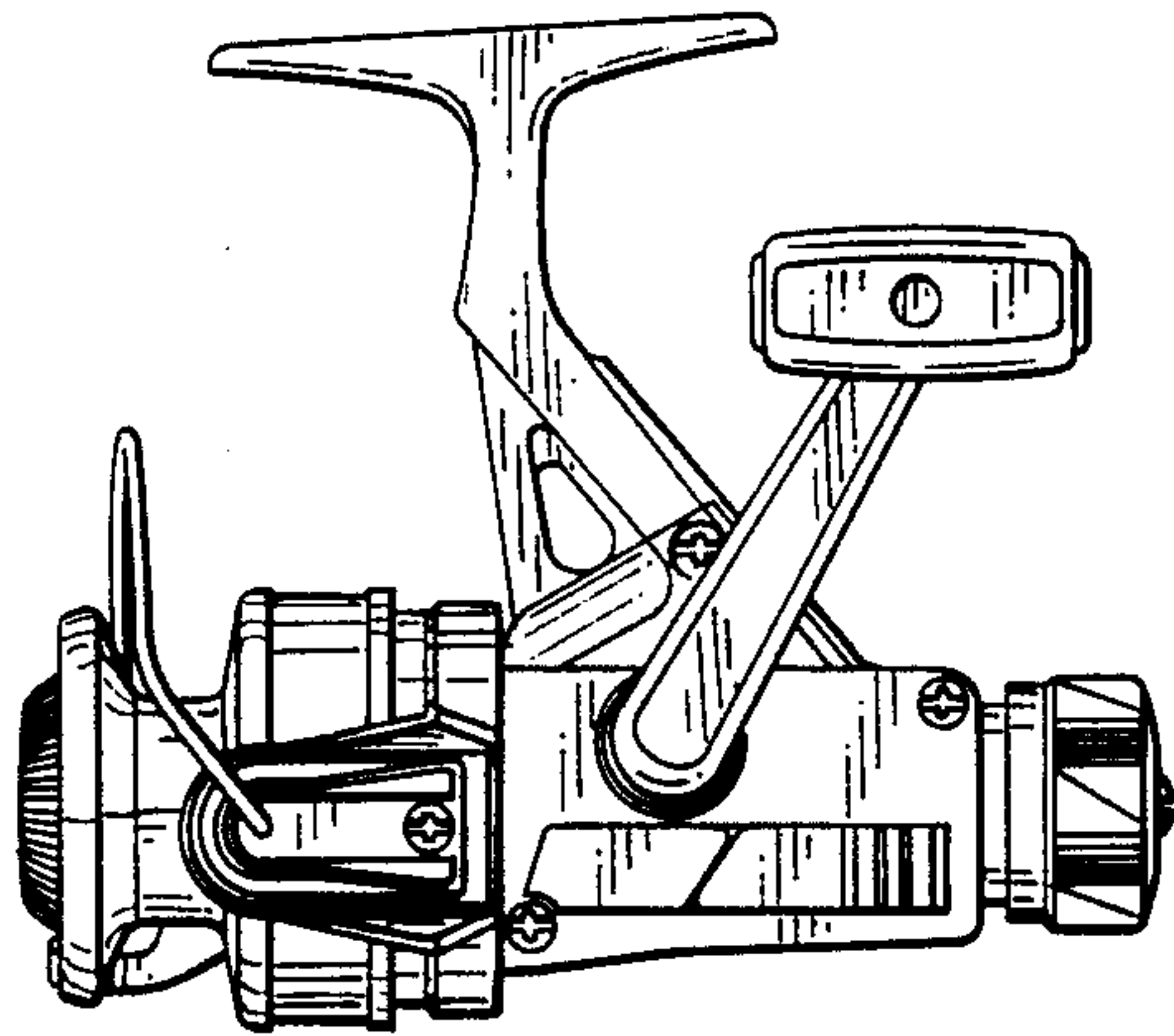


FIG. 6

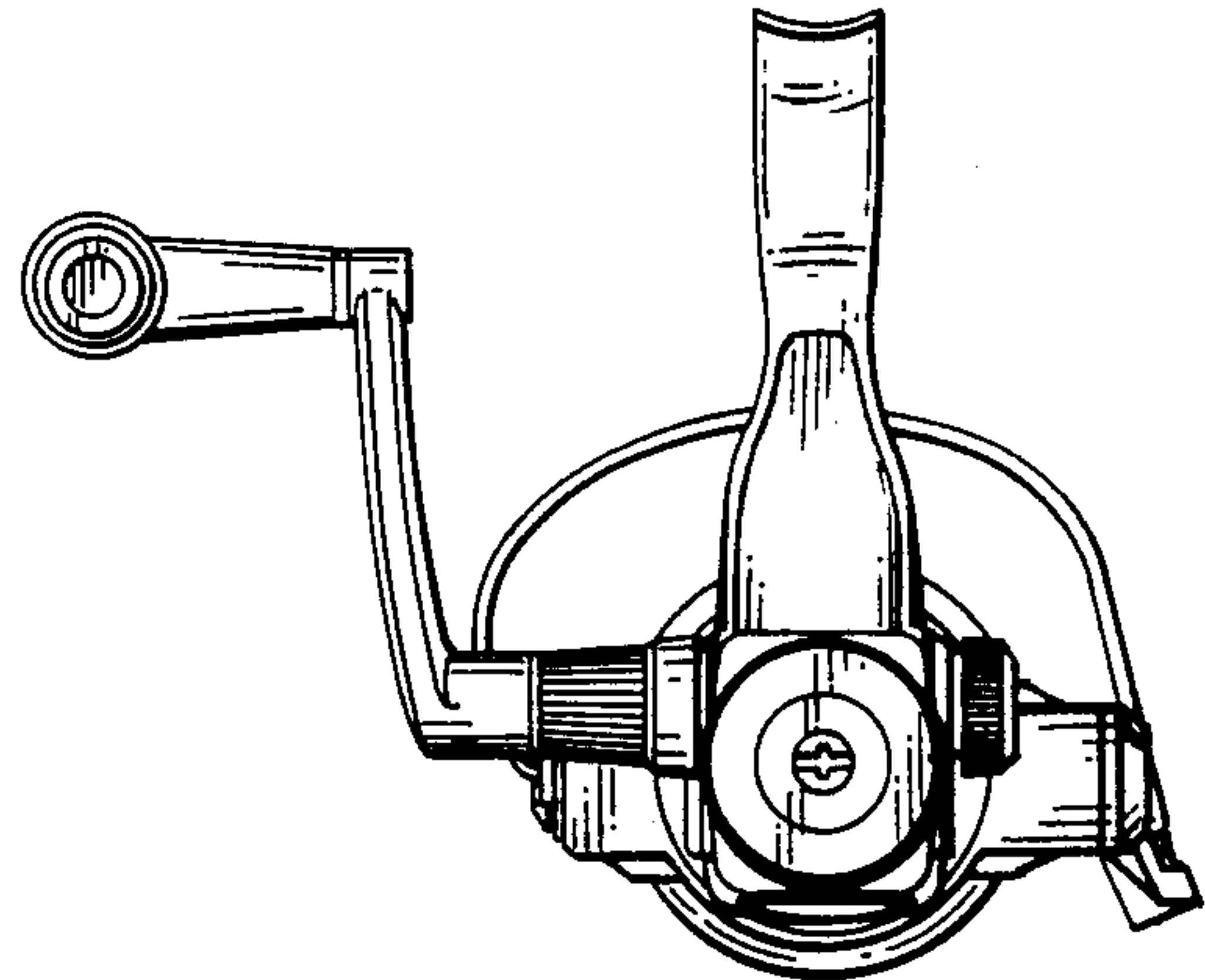


FIG. 7

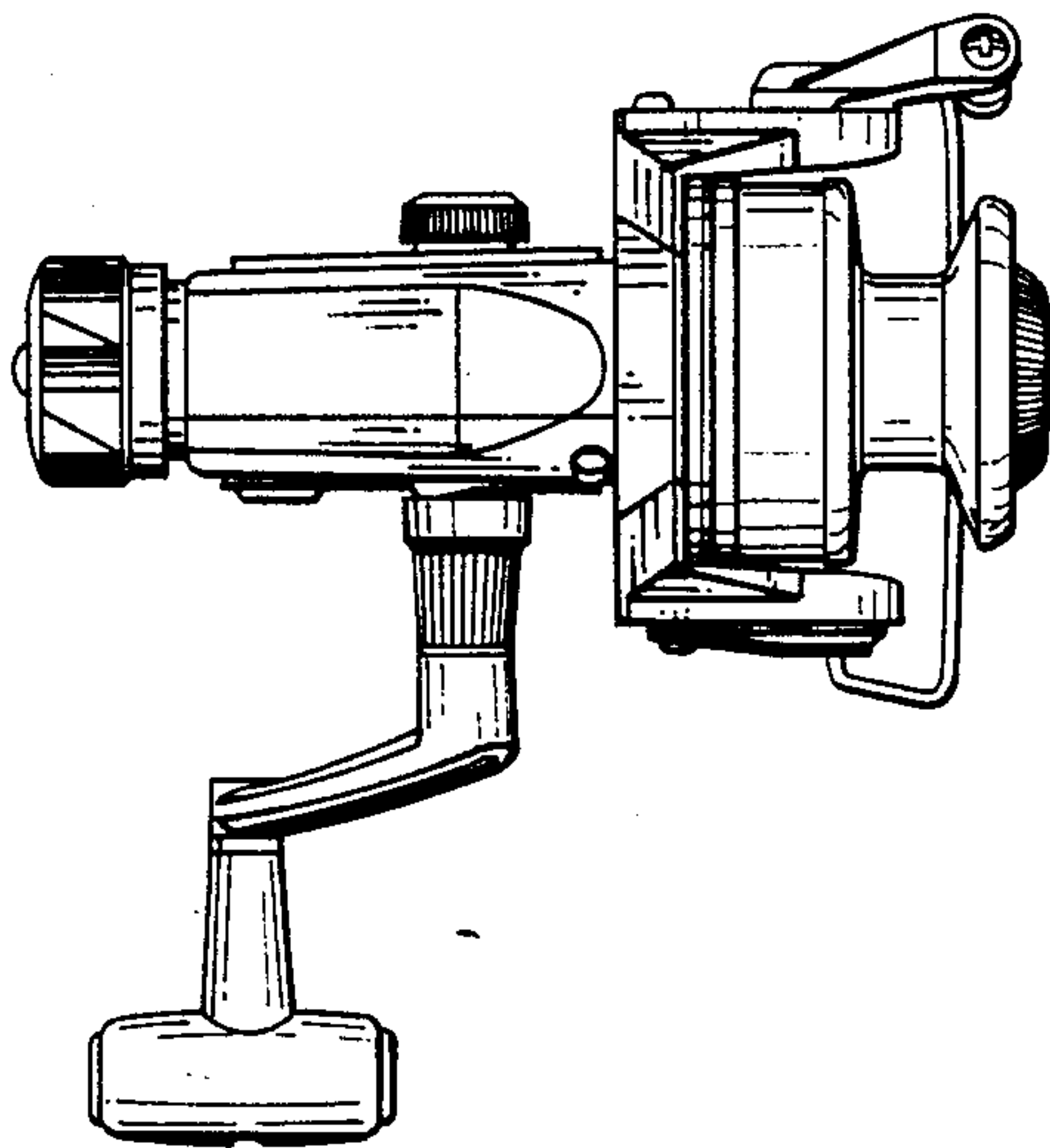


FIG. 8

