

[54] GOLF CLUB PUTTER HEAD

[75] Inventor: David D. Boone, El Toro, Calif.

[73] Assignee: Lynx Golf, Inc., City of Industry, Calif.

[**] Term: 14 Years

[21] Appl. No.: 34,581

[22] Filed: Apr. 6, 1987

[52] U.S. Cl. D21/219

[58] Field of Search D21/214-220;
273/163, 77, 78, 167-175

[56] References Cited

U.S. PATENT DOCUMENTS

- D. 235,893 7/1975 Becker D21/217
- 2,503,506 4/1950 Miller D21/219

OTHER PUBLICATIONS

Golf Digest, Jul. 1976, p. 22, upper left illustration, lower left, putter.
Golf World, May 4, 1972, p. 9, "Straight-In putter".

Primary Examiner—Melvin B. Feifer
Attorney, Agent, or Firm—Leonard Tachner

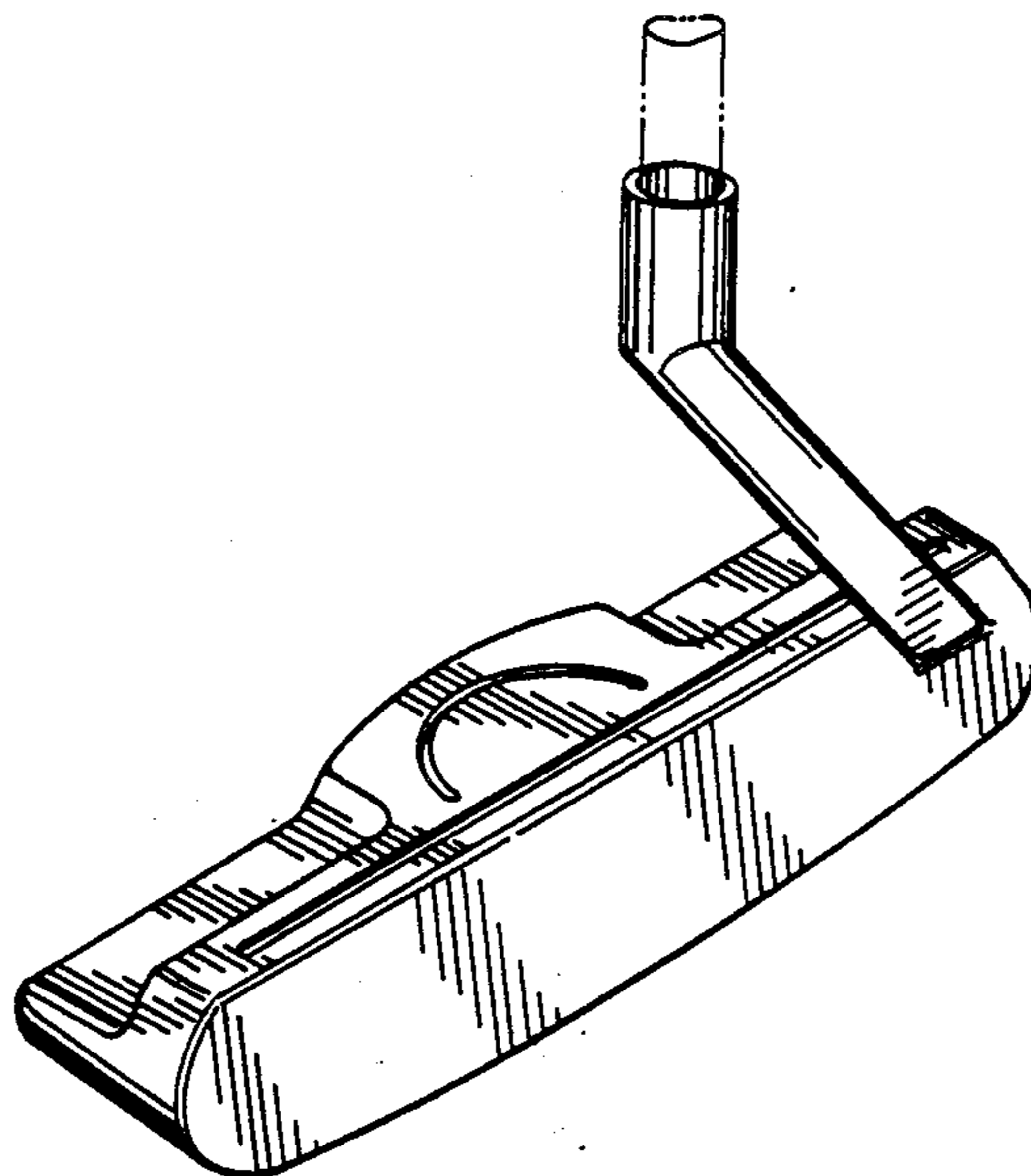
[57] CLAIM

The ornamental design for a golf club putter head, as shown and described.

DESCRIPTION

FIG. 1 is a perspective view of a golf club putter head showing my new design;
FIG. 2 is a top plan view thereof;
FIG. 3 is a rear elevation thereof;
FIG. 4 is a front elevation thereof;
FIG. 5 is a bottom plan view thereof;
FIG. 6 is an end elevation taken from the left of FIG. 1; and
FIG. 7 is an end elevation taken from the right of FIG. 1.

The broken line showing of a shaft portion is for illustrative purposes only.



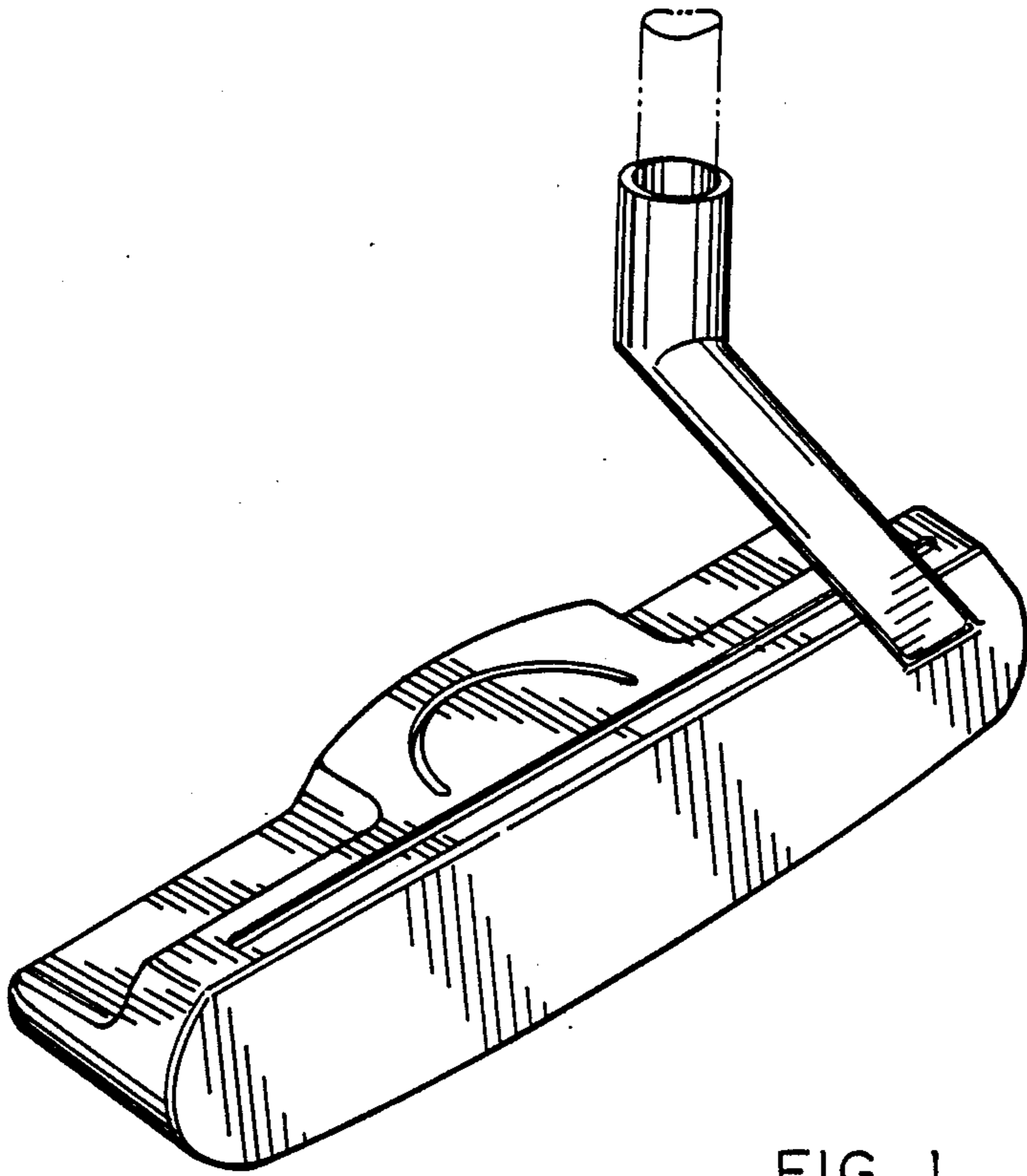


FIG. 1

FIG. 2

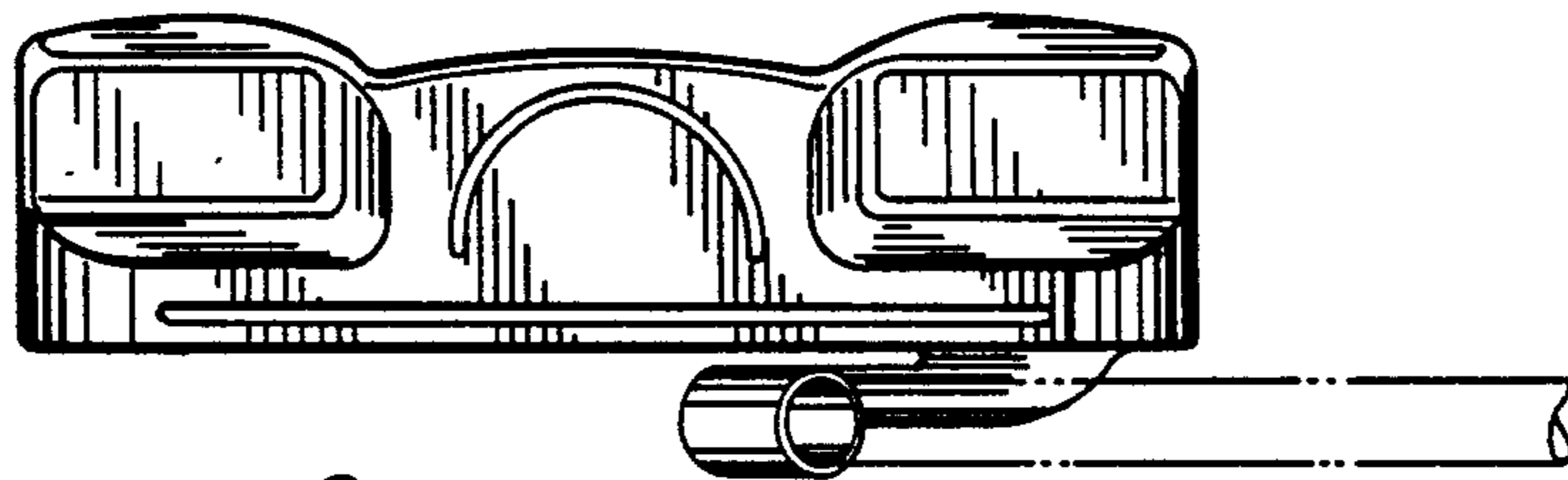


FIG. 3

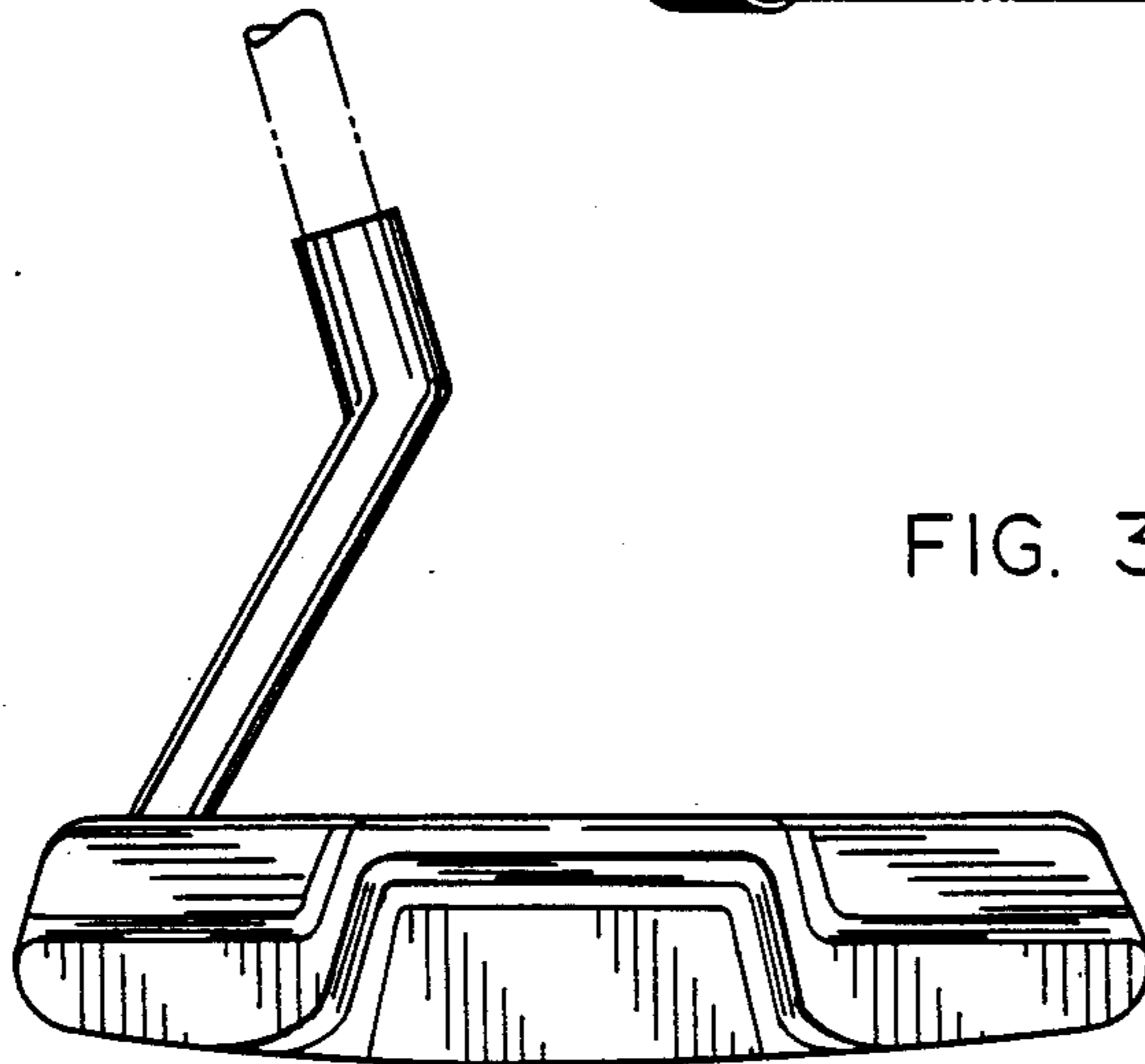


FIG. 4

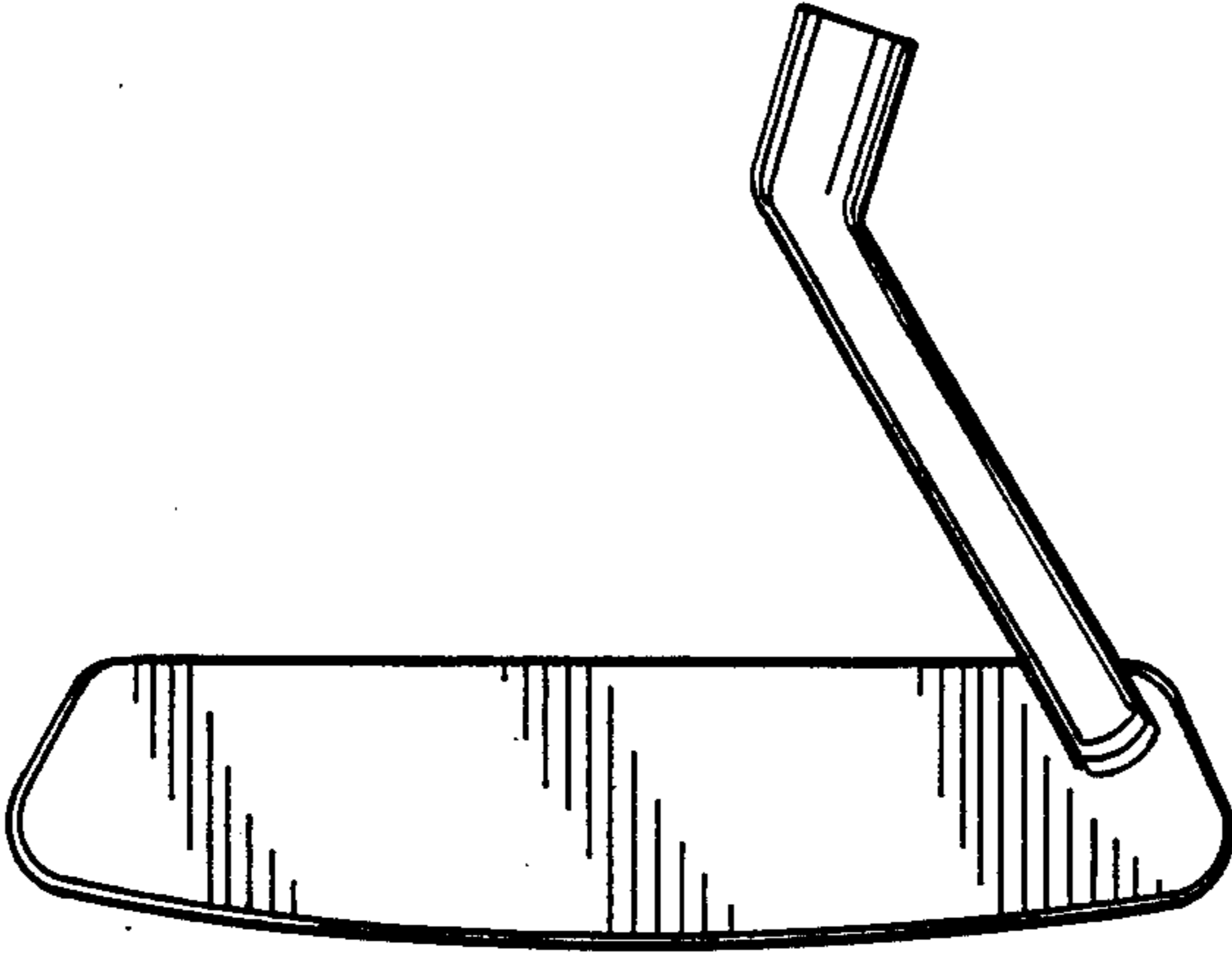


FIG. 5

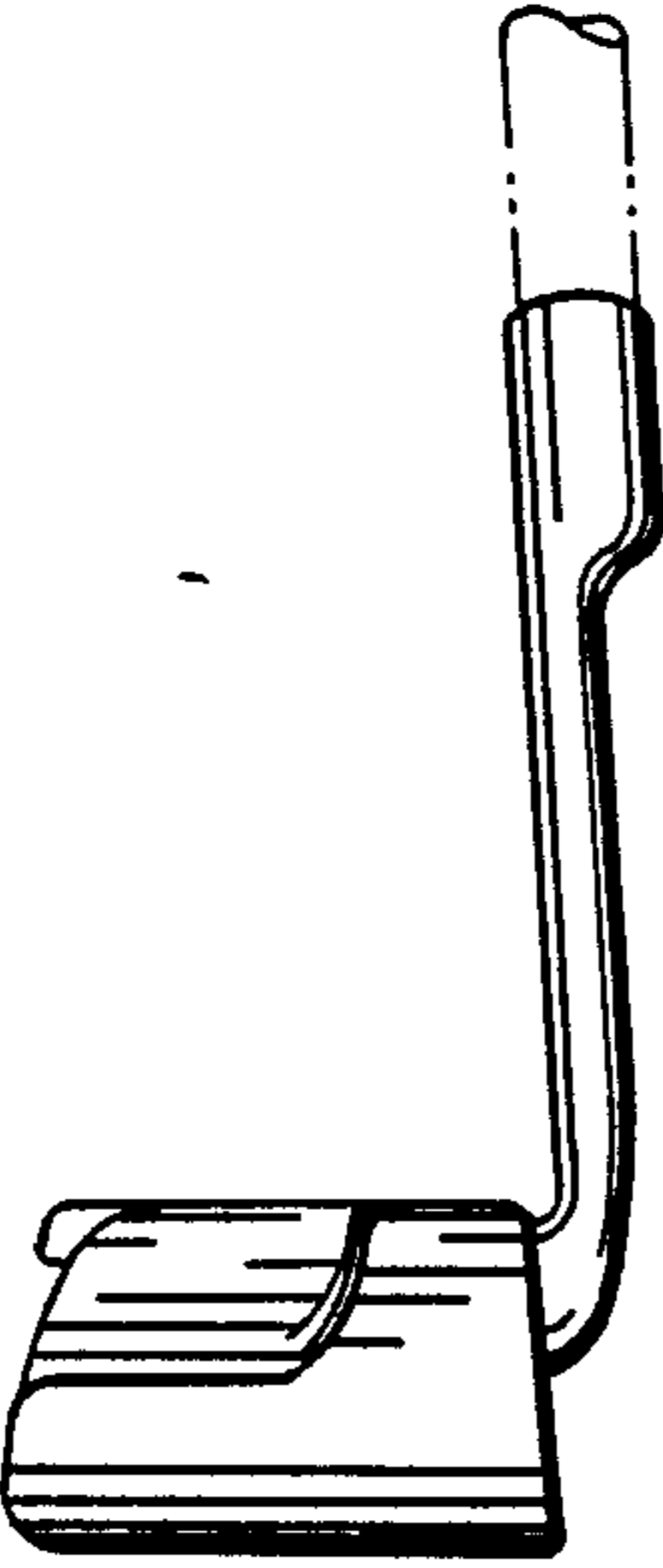
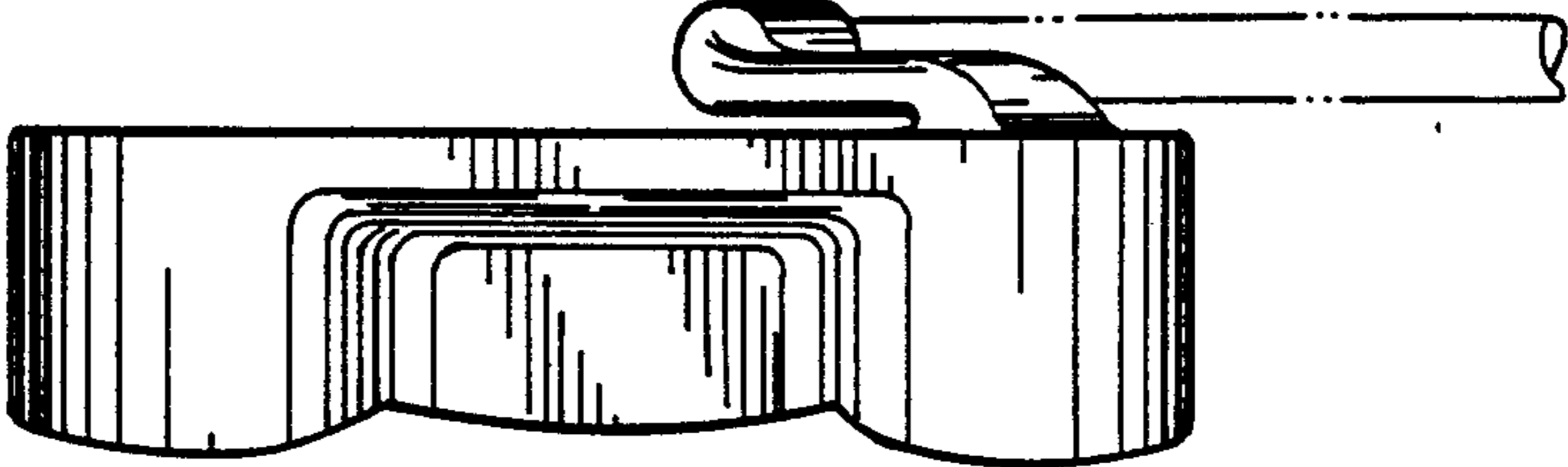


FIG. 6



FIG. 7