

[54] **PORTABLE WEIGHT EXERCISER**

[76] Inventor: **James C. Driscoll**, 335 E. Harmon,  
Apt. 153, Las Vegas, Nev. 89109

[\*\*] Term: **14 Years**

[21] Appl. No.: **144,072**

[22] Filed: **Jan. 15, 1988**

[52] U.S. Cl. .... **D21/196; D21/197**

[58] Field of Search ..... **D21/191-199;**  
**272/67, 68, 77, 123, 143**

[56] **References Cited**

**U.S. PATENT DOCUMENTS**

983,372	2/1911	Johnson	272/123
2,210,024	8/1940	Cayo	272/72
2,919,135	12/1959	Marchionda	272/68
3,904,198	9/1975	Jones	272/123

*Primary Examiner*—Charles A. Rademaker  
*Attorney, Agent, or Firm*—Jerry T. Kearns

[57] **CLAIM**

The ornamental design for a portable weight exerciser, as shown and described.

**DESCRIPTION**

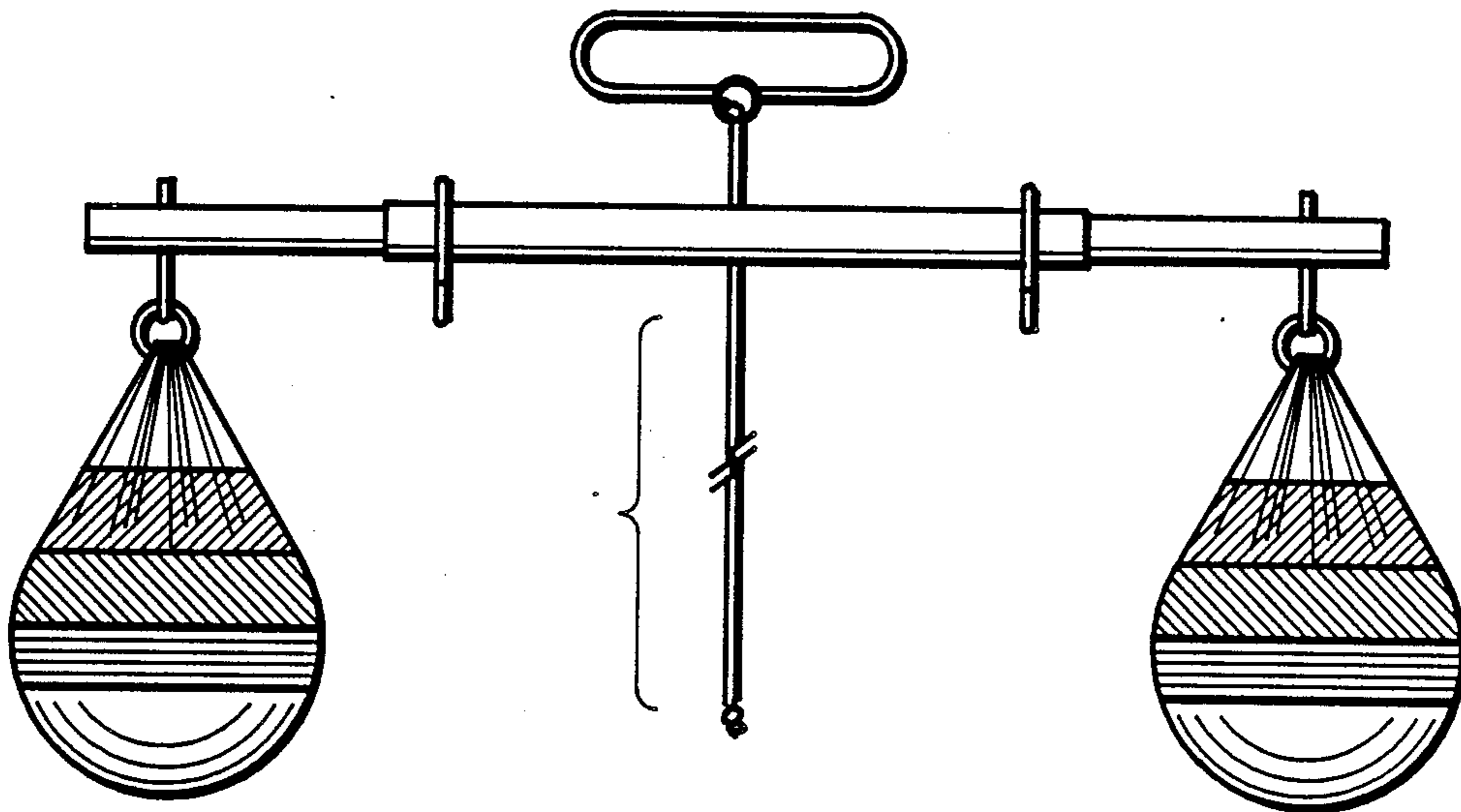
FIG. 1 is a front elevational view of a portable weight exerciser showing my new design;

FIG. 2 is a side elevational view thereof, the side opposite being substantially a mirror image;

FIG. 3 is a top plan view thereof; and,

FIG. 4 is a bottom plan view thereof.

The cord member has been shown in fragment in FIG. 1 to indicate indeterminate length. Portions of the weight members have been shaded to indicate color contrast.



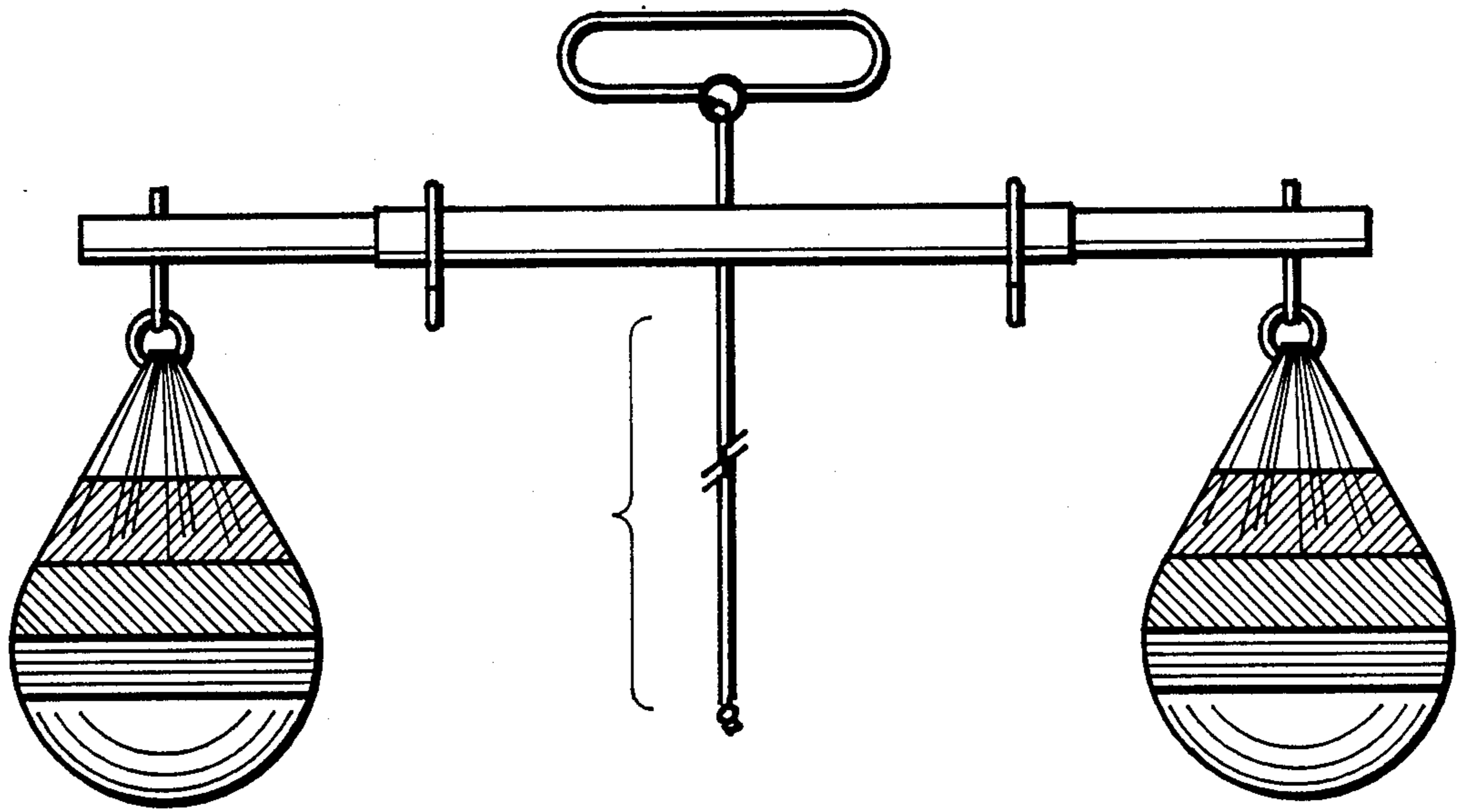


Fig. 1

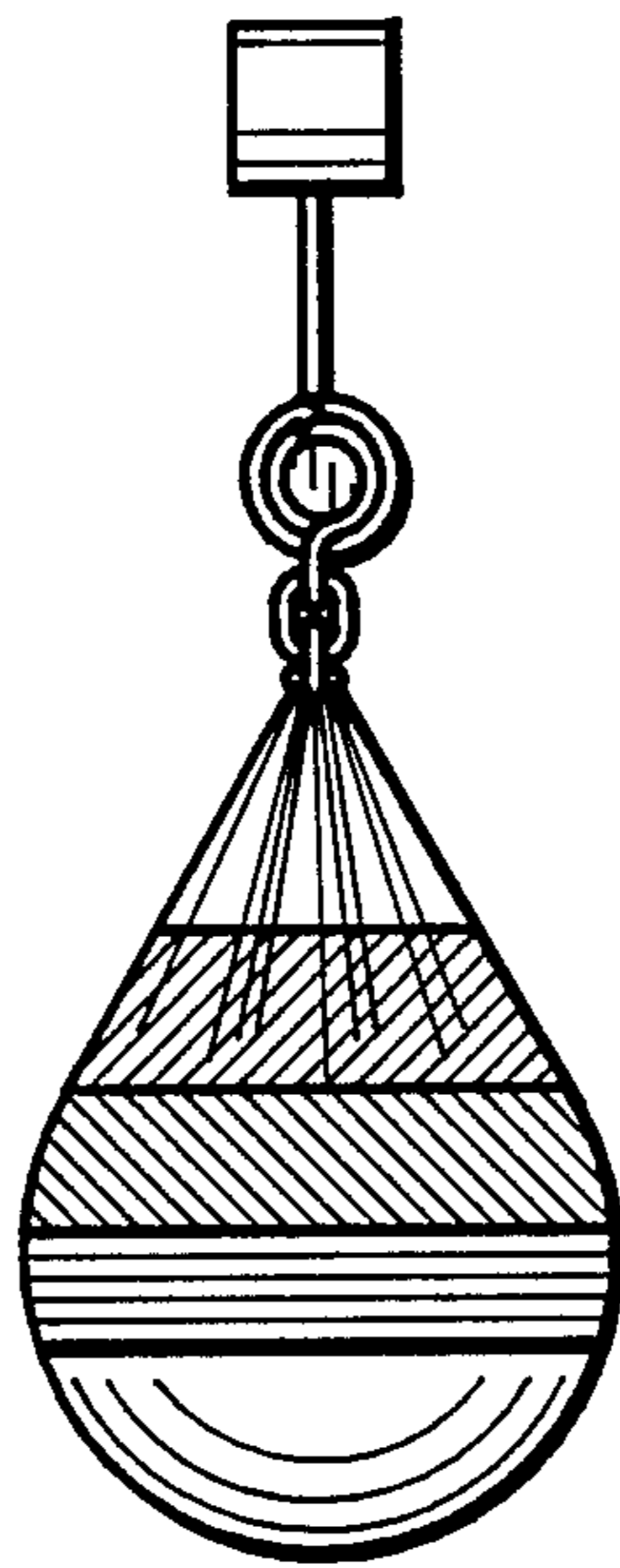


Fig. 2

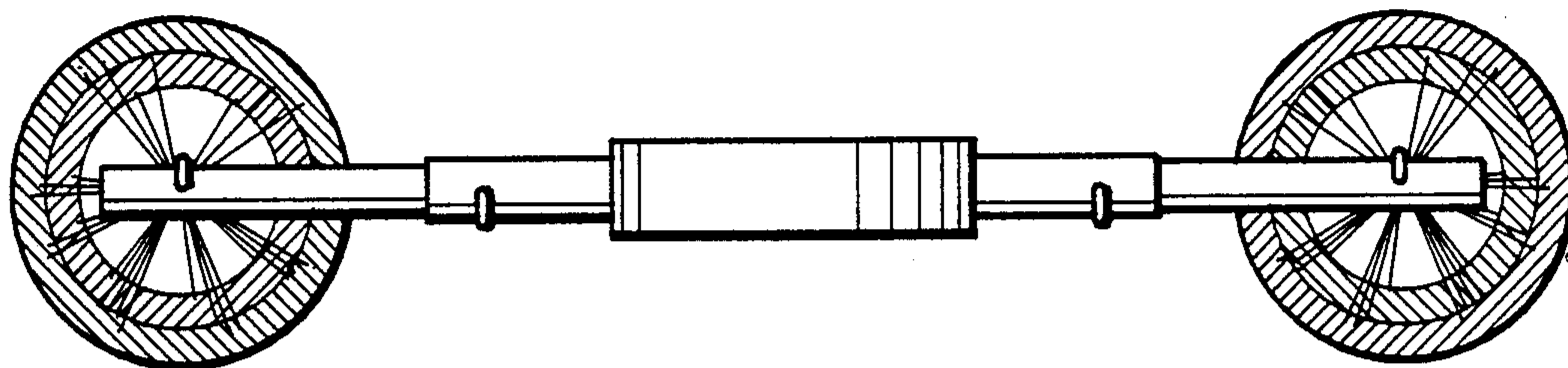


Fig. 3

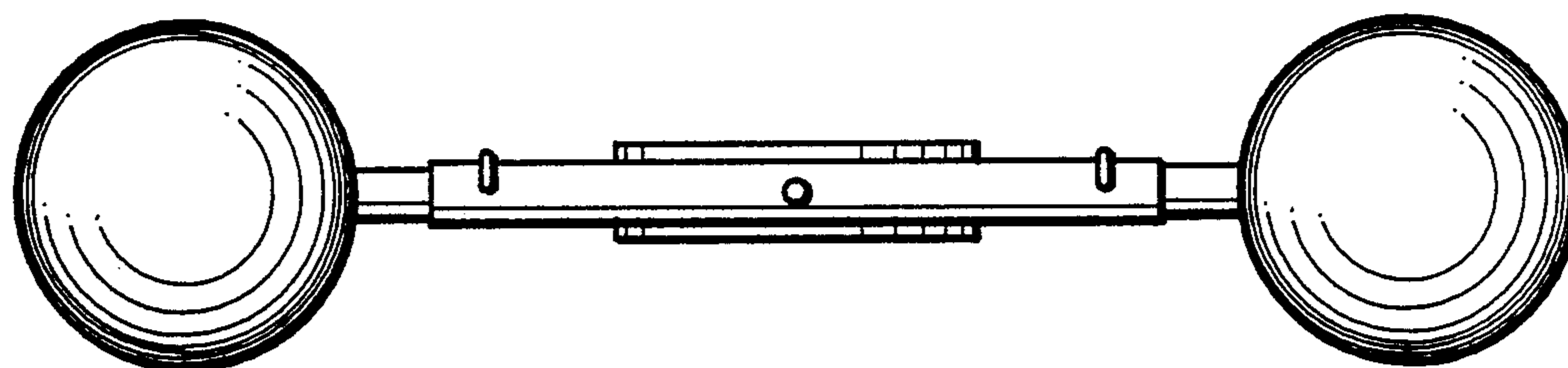


Fig. 4